

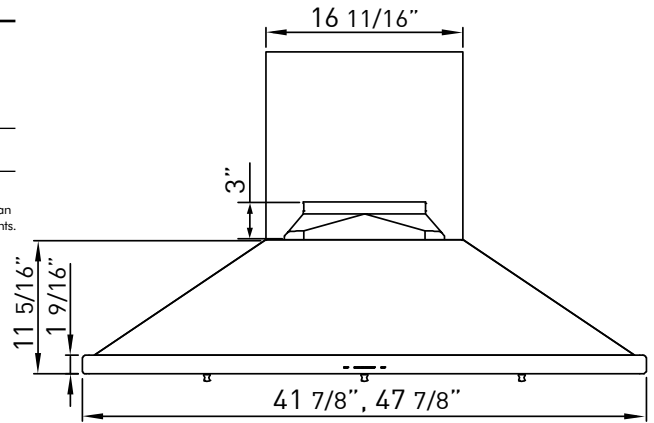
With its classic, professional-style design Siena Pro manages to encompass a wealth of features perfect for the culinary pro or any aspiring home chef. Equipped with a 1200-CFM blower, Zephyr's ICON Touch® controls, the

new BriteStrip™ LED lighting, and our exclusive ACT™ technology, clean, efficient power is just a touch away.

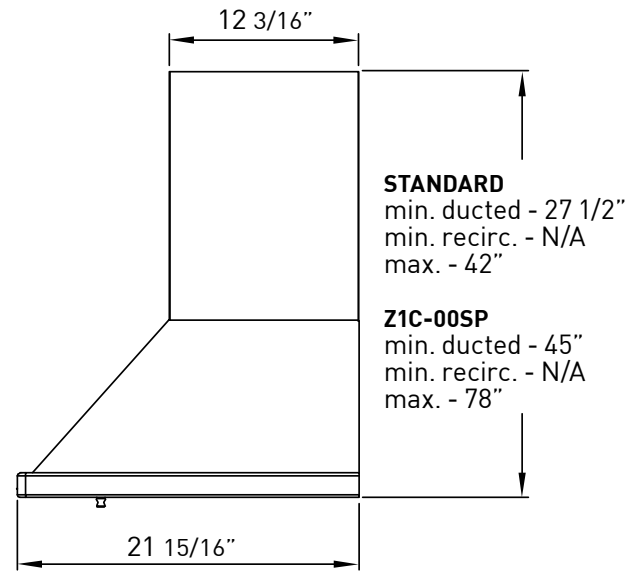
ACT™

Min. - Max. CFM	INTERNAL BLOWER STANDARD	INTERNAL BLOWER with ACT™ AIRFLOW CONTROL TECHNOLOGY™*	
	450 - 1,200	350 - 590	350 - 390
Min. - Max. Sones	3.5 - 9	3.3 - 6	3.3 - 4

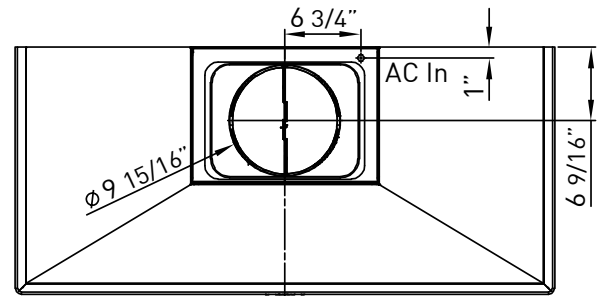
*AIRFLOW CONTROL TECHNOLOGY™ (ACT™) is an exclusive feature built into specific Zephyr hoods which can limit the maximum blower CFM to meet local code requirements.



FRONT



SIDE



C/L

TOP

MODEL	ZSP-E42BS	ZSP-E48BS
Stainless Steel		
Size	42"	48"
Blower CFM (Min. - Max.)	450 - 1,200	450 - 1,200
Sones (Min. - Max.)	3.5 - 9	3.5 - 9
ACT 590 CFM (Min. - Max.)	350 - 590	350 - 590
ACT 590 Sones (Min. - Max.)	3.3 - 6	3.3 - 6
ACT 390 CFM (Min. - Max.)	350 - 390	350 - 390
ACT 390 Sones (Min. - Max.)	3.3 - 4	3.3 - 4
FEATURES		
ACT™ Technology	Yes	Yes
Controls	ICON Touch®	ICON Touch®
Speed Levels	5*	5*
Auto Delay-Off	Yes	Yes
Lighting	BriteStrip™ LED x1	BriteStrip™ LED x2
Dual-Level Lighting	Yes	Yes
Filters	Hybrid Baffles x2	Hybrid Baffles x3
Recirculating Option	No	No
Extension Duct Cover Option	Yes, Up to 12' Ceiling	Yes, Up to 12' Ceiling
DUCT SPECIFICATIONS		
Vertical Internal Blower	10" Round	10" Round
Horizontal Internal Blower	NA	NA
AC POWER	120V, 60Hz at Max. 9A	120V, 60Hz at Max. 9A
OPTIONAL ACCESSORIES		
Extension Duct Cover	Z1C-00SP	Z1C-00SP
Make-Up Air Kit	MUA010A	MUA010A
MOUNTING HEIGHT RANGE**	26" - 34"	26" - 34"
WARRANTY	3 years parts, 1 year labor	3 years parts, 1 year labor

CEILING HEIGHT		8'	8.5'	9'	9.5'	10'	10.5'	11'	12'
STANDARD DUCT COVER	Ducted Mounting Height*	26" - 32.5"	26" - 34"	30" - 34"	NA	NA	NA	NA	NA
EXTENSION DUCT COVER	Ducted Mounting Height*	NA	NA	26" - 27"	26" - 33"	26" - 34"	26" - 34"	26" - 34"	30" - 34"

*When ACT™ is enabled the maximum speed levels will change. ACT 590 CFM = 3 speeds and ACT 390 CFM = 2 speeds.

**Mounting height refers to distance between top of a 36" tall cooking surface and bottom of hood.

