

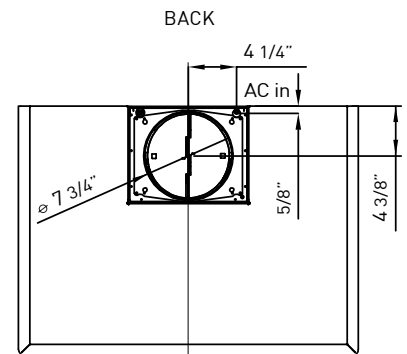
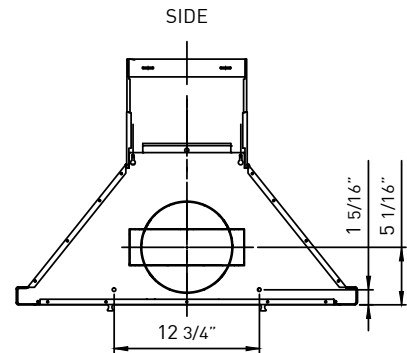
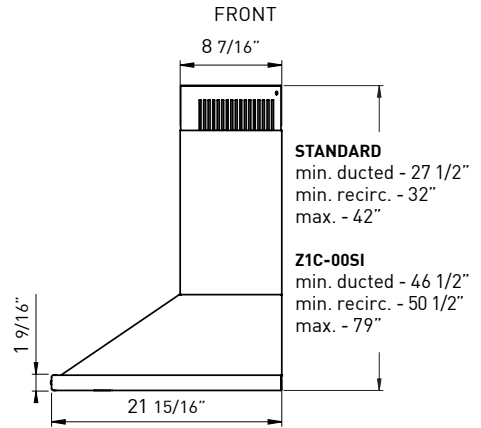
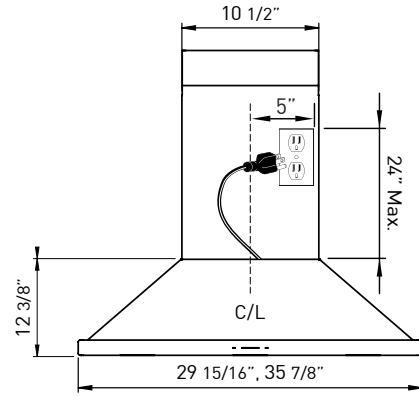
Siena is packed with power. With a 650-CFM blower and ACT™ technology this is a hood with a versatile range of features perfect for any kitchen. With updated dual-level BriteStrip™ LED lighting, vertical and

horizontal ducting, a recirculating option and Zephyr's ICON Touch® controls, clearing the air is as simple as the touch of a button.

ACT™

Min. - Max. CFM	INTERNAL BLOWER STANDARD	INTERNAL BLOWER with ACT™ AIRFLOW CONTROL TECHNOLOGY™*	
	200 - 650	200 - 390	200 - 290
Min. - Max. Sones	1 - 6	1 - 4	1 - 3

\*AIRFLOW CONTROL TECHNOLOGY™ (ACT™) is an exclusive feature built into specific Zephyr hoods which can limit the maximum blower CFM to meet local code requirements.



C/L

TOP

MODEL	ZSI-E30BS	ZSI-E36BS
Stainless Steel		
<b>Size</b>	30"	36"
<b>Blower CFM (Min. - Max.)</b>	200 - 650	200 - 650
<b>Sones (Min. - Max.)</b>	1 - 6	1 - 6
<b>ACT 390 CFM (Min. - Max.)</b>	200 - 390	200 - 390
<b>ACT 390 Sones (Min. - Max.)</b>	1 - 4	1 - 4
<b>ACT 290 CFM (Min. - Max.)</b>	200 - 290	200 - 290
<b>ACT 290 Sones (Min. - Max.)</b>	1 - 3	1 - 3
<b>FEATURES</b>		
<b>ACT™ Technology</b>	Yes	Yes
<b>Controls</b>	ICON Touch®	ICON Touch®
<b>Speed Levels</b>	5*	5*
<b>Auto Delay-Off</b>	Yes	Yes
<b>Lighting</b>	BriteStrip™ LED, x1	BriteStrip™ LED, x1
<b>Dual-Level Lighting</b>	Yes	Yes
<b>Filters</b>	Hybrid Baffle x2	Hybrid Baffle x2
<b>Recirculating Option</b>	Yes	Yes
<b>Extension Duct Cover Option</b>	Yes, Up to 12' Ceiling	Yes, Up to 12' Ceiling
<b>DUCT SPECIFICATIONS</b>		
<b>Vertical Internal Blower</b>	8" Round	8" Round
<b>Horizontal Internal Blower</b>	8" Round or 3-1/4 x 10"	8" Round or 3-1/4 x 10"
<b>AC POWER</b>	120V, 60Hz at Max. 4A	120V, 60Hz at Max. 4A
<b>OPTIONAL ACCESSORIES</b>		
<b>Recirculating Kit</b>	ZRC-00SI	ZRC-00SI
<b>Extension Duct Cover</b>	Z1C-00SI	Z1C-00SI
<b>Make-Up Air Kit</b>	MUA008A	MUA008A
<b>MOUNTING HEIGHT RANGE**</b>	26" - 34"	26" - 34"
<b>WARRANTY</b>	3 years parts, 1 year labor	3 years parts, 1 year labor

CEILING HEIGHT		8'	8.5'	9'	9.5'	10'	10.5'	11'	12'
STANDARD DUCT COVER	Ducted Mounting Height**	26" - 32.5"	26" - 34"	30" - 34"	NA	NA	NA	NA	NA
	Recirc Mounting Height**	26" - 28"	26" - 34"	30" - 34"	NA	NA	NA	NA	NA
EXTENSION DUCT COVER	Ducted Mounting Height**	NA	NA	NA	26" - 31.5"	26" - 34"	26" - 34"	26" - 34"	28" - 34"
	Recirc Mounting Height**	NA	NA	NA	26" - 27"	26" - 34"	26" - 34"	26" - 34"	28" - 34"

\*When ACT™ is enabled the maximum speed levels will change. ACT 390 CFM = 4 speeds and ACT 290 CFM = 3 speeds.

\*\*Mounting height refers to distance between top of a 36" tall cooking surface and bottom of hood.

**ACT™** AIRFLOW CONTROL TECHNOLOGY™ (ACT™) is an exclusive feature built into specific Zephyr hoods which can limit the maximum blower CFM to meet local code requirements.

Specifications subject to change, check zephyronline.com for up-to-date information.  
Zephyr Ventilation | 2277 Harbor Bay Parkway, Alameda, CA 94502 | 888.880.VENT

APR19.0101

