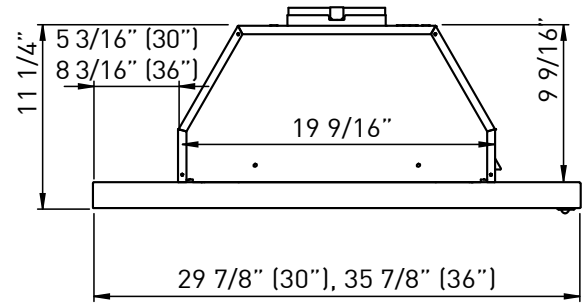
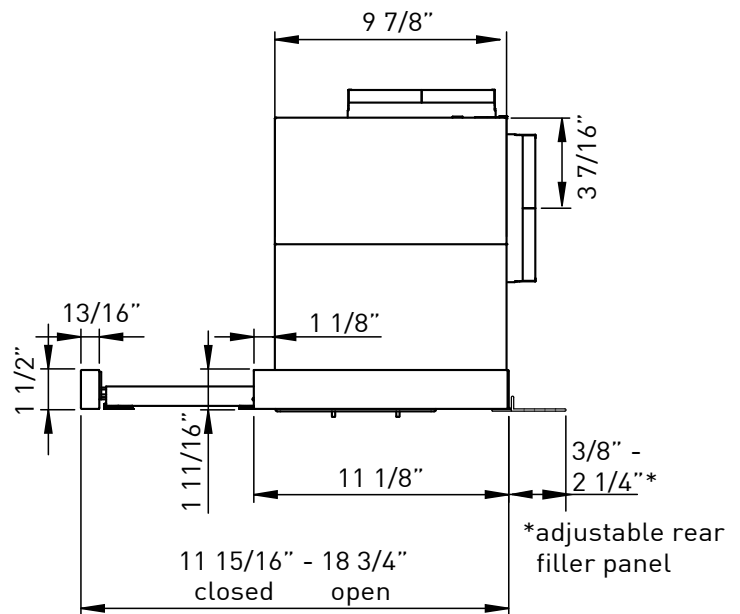


Tucked neatly out of sight within your cabinetry, Pisa is a minimal alternative to your typical under-cabinet range hood. Powered by the strength of its 290-CFM blower, Pisa's low-profile body delivers stunning design and

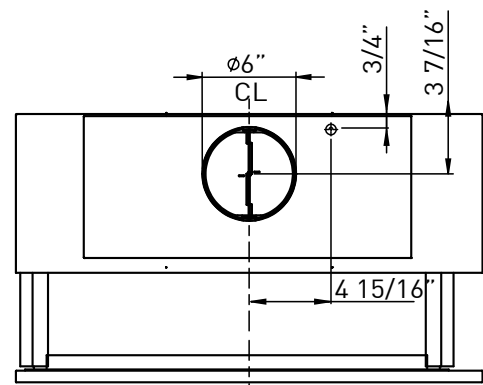
quality performance. Its retractable visor helps in the capture of air and puts control at your fingertips. Pisa is perfect for kitchens that require a more discreet look. Available in Stainless Steel and White trim finishes.



FRONT



SIDE



TOP

**MODEL**

Stainless Steel trim w/ Glass	ZPI-E30AG290	ZPI-E36AG290
White trim w/ Glass	ZPI-E30AW290	

<b>Size</b>	30"	36"
<b>Blower CFM (Min. - Max.)</b>	180 - 290	180 - 290
<b>Sones (Min. - Max.)</b>	1.3 - 3.2	1.3 - 3.2

**FEATURES**

<b>Controls</b>	Mechanical Slide	Mechanical Slide
<b>Speed Levels</b>	3	3
<b>Lighting</b>	Halogen, 50W x2	Halogen, 50W x2
<b>Dual-Level Lighting</b>	Yes	Yes
<b>Filters</b>	Aluminum Mesh x1	Aluminum Mesh x1
<b>Recirculating Option</b>	Yes	Yes

**DUCT SPECIFICATIONS**

<b>Vertical Internal Blower</b>	6" Round	6" Round
<b>Horizontal Internal Blower</b>	6" Round	6" Round
<b>AC POWER</b>	120V, 60Hz at Max. 1.55A	120V, 60Hz at Max. 1.55A

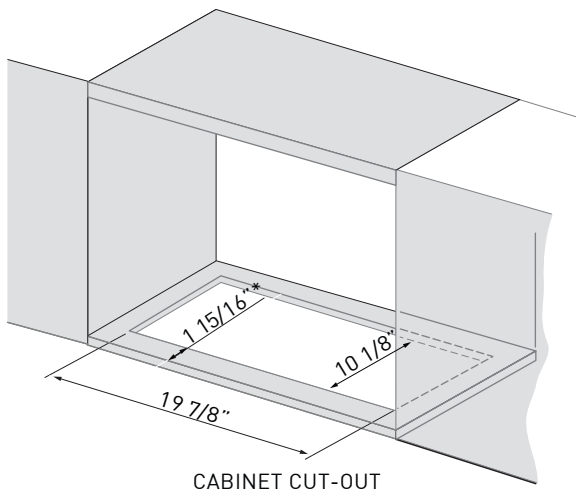
**OPTIONAL ACCESSORIES**

<b>Recirculating Kit</b>	ZRC-00PI	ZRC-00PI
--------------------------	----------	----------

<b>MOUNTING HEIGHT RANGE**</b>	24" - 32"	24" - 32"
--------------------------------	-----------	-----------

<b>WARRANTY</b>	3 years parts, 1 year labor	3 years parts, 1 year labor
-----------------	-----------------------------	-----------------------------

\*Mounting height refers to distance between top of a 36" tall cooking surface and bottom of hood.



\*Measured from front of doors in a frameless cabinet or front of cabinet bottom in a framed cabinet.