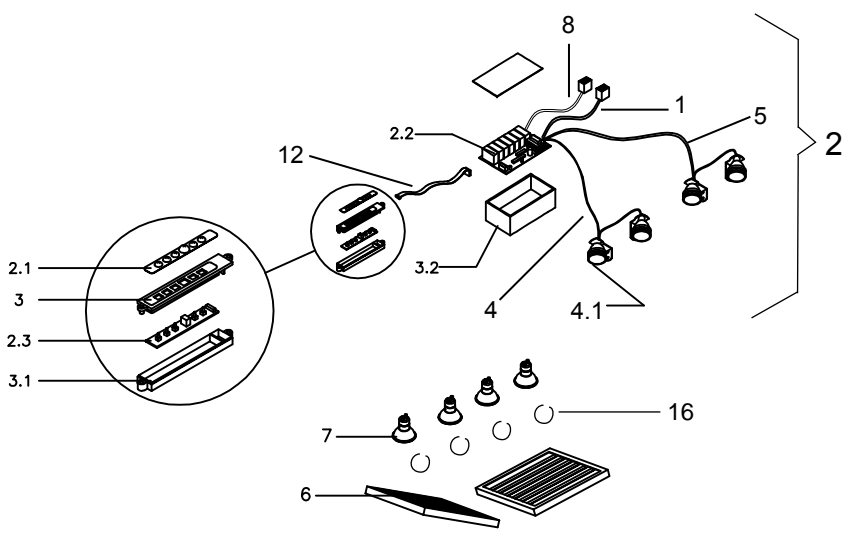
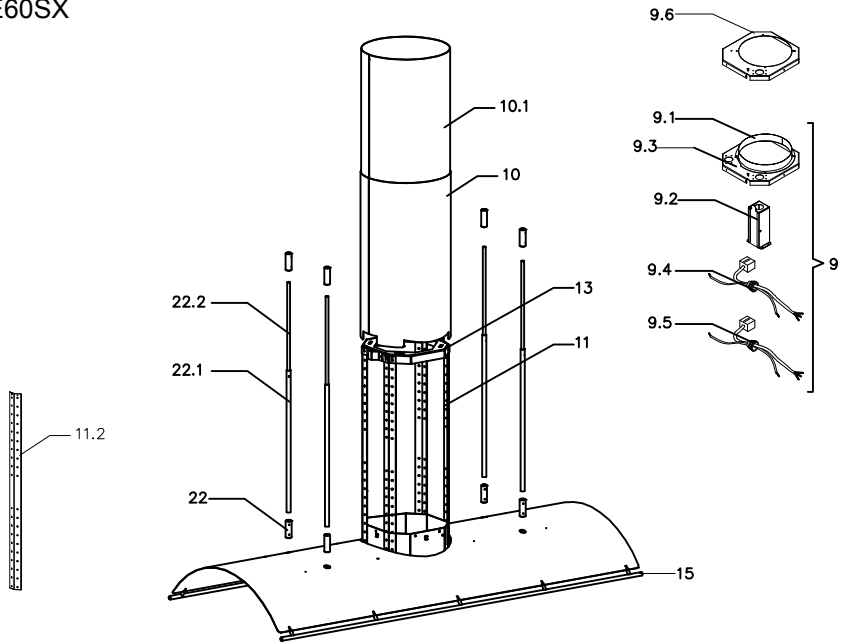


CTP-E48SX
 CTP-E54SX
 CTP-E60SX



CTP-E48SX, CTP-E54SX, CTP-E60SX

Ref #	Part #	Description	Qty
1	11030024	Cable Harness, Blower	1
2	11000018	Assembly, Electronics	1
2.1	52050008	Membrane, Horizontal	1
2.2	11010003	Control Board	1
2.3	11010016	LED/Switch Board	1
3.2	56200035	Housing and Cover, Control Board	1
4	11020006	Socket Set, GU10, Short	1
4.1	12100016	Light Socket, GU10	4
5	11020015	Socket Set, GU10, Long	1
6	50210002	Filter, Baffle	2
7	Z0B-0020	Halogen Bulb GU-10, 120V 50W	4
8	11030004	Cable Harness, AC Power	1
9	05000002	External Blower Kit	1
9.1	54050014	Collar, 8" Round	1
9.2	56200008	Wiring Box	2
9.3	54050040	External Flange	1
9.4	54200004	AC Wiring Harness	1
9.5	11030002	External Blower Wiring Harness	1
9.6	54050022	Internal Flange	1
10	50050002	Duct Cover, Bottom	1
10.1	50050026	Duct Cover, Top	1
11	54120005	Bracket, Angle (27 3/8")	4
11.2	54120006	Bracket, Angle (35 3/8")	4
12	11030007	Cable Interconnect	1
13	54100005	Bracket, Ceiling	1
15	50320015	Utensil Rail (CTP-E48SX)	2
15	50320016	Utensil Rail (CTP-E54SX)	2
15	50320017	Utensil Rail (CTP-E60SX)	2
15-1	01070018	Screw, Set, Utensil Rail	10
16	50180001	Light Clip	4
22	54050016	Coupler	8
22.1	50330002	Rod, Telescopic, Outer	4
22.2	50330001	Rod, Telescopic, Inner	4
	50110048	Panel, Light (CTP-E48SX)	1
	50110049	Panel, Light (CTP-E54SX)	1
	50110050	Panel, Light (CTP-E60SX)	1
	05000006	Hardware Packet	1