

DESIGNER

LUX

ISLAND

Enjoy unobstructed views of your kitchen with the modern, minimalist lines of the Lux. This sleek hood includes a wireless remote control, and it discreetly mounts into the ceiling above your range or cooktop for power and good looks combined.

Your kitchen will stay clean and smoke free with the Lux's Perimeter Aspiration and multiple blower options, and the tri-level LED light strip ensures a good-looking glow. Available in White and Stainless Steel.

**ZEPHYR**

ZEPHYRONLINE.COM



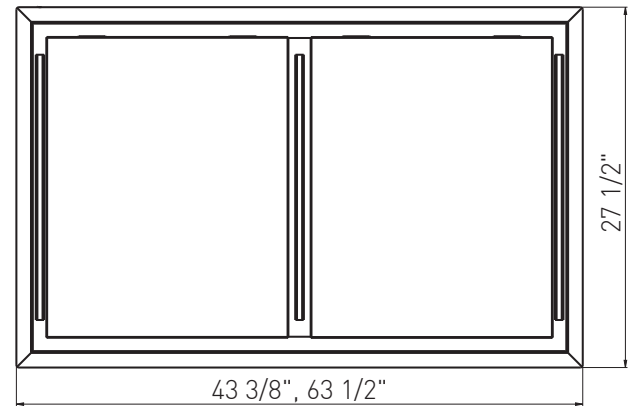
63" Stainless Steel



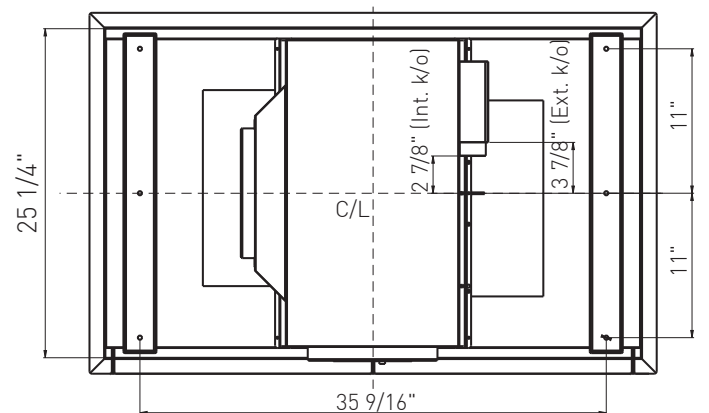
43" White



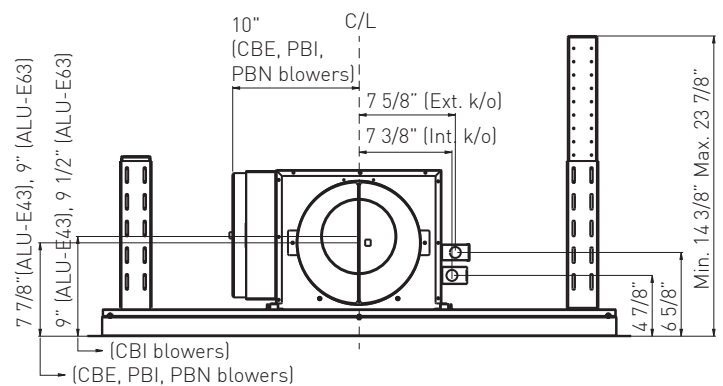
Wireless Remote Control



Front\*



Top



Side

\*ALU-E43 has 2 panels, ALU-E63 has 3 panels

MODEL							
Stainless Steel	ALU-E43ASX						
White	ALU-E43AWX	ALU-E63AWX					
Size	43"	63"					
PERFORMANCE							
Internal Blower (CBI-290A)*	200-290 CFM, 1.4-3 sones		200-290 CFM, 1.4-3 sones				
Internal Blower (CBI-600A)*	240-600 CFM, 1.8-6 sones		240-600 CFM, 1.8-6 sones				
Internal Blower (PBI-1100A)*	500-1,100 CFM, 3.5-8 sones		500-1,100 CFM, 3.5-8 sones				
In-Line Blower (PBN-1000A)*	500-1,000 CFM, sones NA		500-1,000 CFM, sones NA				
External Blower (CBE-1000)*	500-1,000 CFM, sones NA		500-1,000 CFM, sones NA				
FEATURES							
Controls	Capacitive Touch		Capacitive Touch				
Speed Levels	3		3				
Auto Delay-Off	Yes		Yes				
CleanAir Function**	Yes		Yes				
Lighting	LED Strip x 3 (8.5W)		LED Strip x 4 (8.5W)				
Tri-Level Lighting	Yes		Yes				
Filters	Aluminum Mesh x4		Aluminum Mesh x6				
Wireless Remote Control	Yes, RF		Yes, RF				
Recirculating***	Yes		Yes				
ADA Compliant	Yes		Yes				
DUCT SPECIFICATIONS							
Vertical Blower	NA		NA				
Horizontal Internal Blower	6"(CBI),10"(PBI)		6"(CBI),10"(PBI)				
Horizontal In-Line/External Blower	10"		10"				
AC POWER							
Hood w/ CBI-290A	120V, 60Hz, Max. 1.05A		120V, 60Hz, Max. 1.05A				
Hood w/ CBI-600A	120V, 60Hz, Max. 3.05A		120V, 60Hz, Max. 3.05A				
Hood w/ PBI-1100A	120V, 60Hz, Max. 5.75A		120V, 60Hz, Max. 5.75A				
Hood w/ PBN-1000A	120V, 60Hz, Max. 5.75A		120V, 60Hz, Max. 5.75A				
Hood w/ CBE-1000	120V, 60Hz, Max. 6.55A		120V, 60Hz, Max. 6.55A				
OPTIONAL ACCESSORIES							
Recirculating Kit	ZRC-00LX		ZRC-00LX				
Make-Up Air Kit	MUA006A (600 CFM)		MUA006A (600 CFM)				
	MUA008A (1,000 CFM)		MUA008A (1,000 CFM)				
	MUA010A (1,100 CFM)		MUA010A (1,100 CFM)				
MOUNTING HEIGHT RANGE†							
	36" - 72"		36" - 72"				
WARRANTY							
	1 year parts, 1 year labor		1 year parts, 1 year labor				
CEILING HEIGHT	6'	6.5'	7'	7.5'	8'	8.5'	9'
MOUNTING HEIGHT†	36"	42"	48"	54"	60"	66"	72"

\*Blower sold separately.

\*\*CleanAir turns your hood on once every four hours for 10 minutes on speed one.

\*\*\*Recirculating kit is only compatible with CBI-290A and CBI-600A blowers.

†Mounting height refers to distance between top of a 36" tall cooking surface and bottom of hood.

DESIGNER

LUX

ISLAND

Enjoy unobstructed views of your kitchen with the modern, minimalist lines of the Lux. This sleek hood includes a wireless remote control, and it discreetly mounts into the ceiling above your range or cooktop for power and good looks combined.

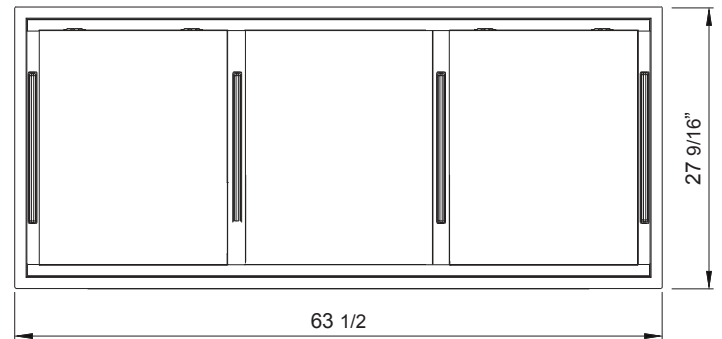
Your kitchen will stay clean and smoke free with Lux's Perimeter Aspiration, multiple blower options, and updated vertical and horizontal ducting. The tri-level LED light strip ensures a good-looking glow.

**ZEPHYR**

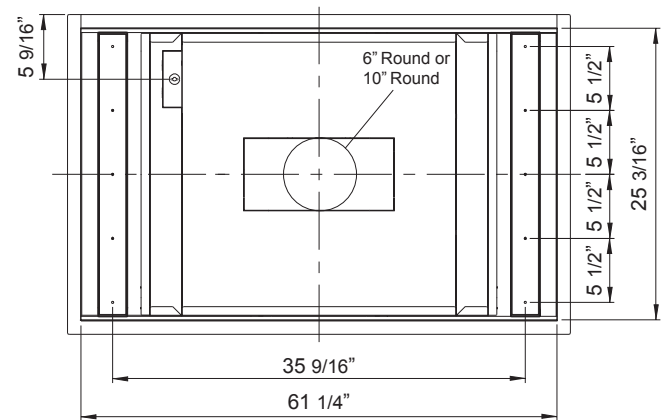
ZEPHYRONLINE.COM



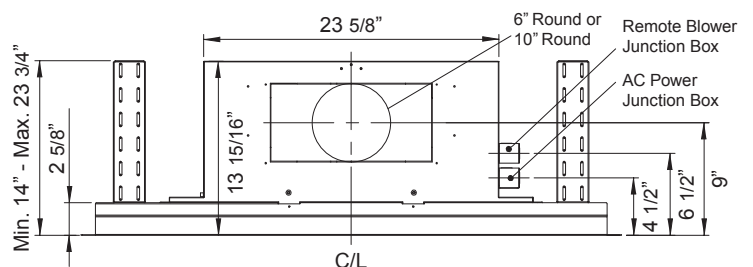
Includes Wireless Remote Control



Front



Top



Side

**MODEL**

Stainless Steel ALU-E63BSX  
Size 63"

**PERFORMANCE**

Internal Blower (CBI-290A)\* 200-290 CFM, 1.4-3 sones  
Internal Blower (CBI-600A)\* 240-600 CFM, 1.8-6 sones  
Internal Blower (PBI-1100A)\* 500-1,100 CFM, 3.5-8 sones  
In-Line Blower (PBN-1000A)\* 500-1,000 CFM, sones NA  
External Blower (CBE-1000)\* 500-1,000 CFM, sones NA

**FEATURES**

Controls Capacitive Touch  
Speed Levels 3  
Auto Delay-Off Yes  
CleanAir Function\*\* Yes  
Lighting LED Strip x 4 (10W)  
Tri-Level Lighting Yes  
Filters Aluminum Mesh x6  
Wireless Remote Control Yes, RF  
Recirculating\*\*\* Yes  
ADA Compliant Yes

**DUCT SPECIFICATIONS**

Vertical Internal Blower 6"(CBI), 10"(PBI)  
Vertical In-Line/External Blower 10"  
Horizontal Internal Blower 6"(CBI), 10"(PBI)  
Horizontal In-Line/External Blower 10"

**AC POWER**

Hood w/ CBI-290A 120V, 60Hz, Max. 1.05A  
Hood w/ CBI-600A 120V, 60Hz, Max. 3.05A  
Hood w/ PBI-1100A 120V, 60Hz, Max. 5.75A  
Hood w/ PBN-1000A 120V, 60Hz, Max. 5.75A  
Hood w/ CBE-1000 120V, 60Hz, Max. 6.55A

**OPTIONAL ACCESSORIES**

Recirculating Kit ZRC-01LX  
Make-Up Air Kit MUA006A (600 CFM)  
MUA008A (1,000 CFM)  
MUA010A (1,100 CFM)

**MOUNTING HEIGHT RANGE†** 30" - 72"

**WARRANTY** 1 year parts, 1 year labor

<b>CEILING HEIGHT</b>	6'	6.5'	7'	7.5'	8'	8.5'	9'
<b>MOUNTING HEIGHT†</b>	36"	42"	48"	54"	60"	66"	72"

\*Blower sold separately.

\*\*CleanAir turns your hood on once every four hours for 10 minutes on speed one.

\*\*\*Recirculating kit is only compatible with CBI-290A and CBI-600A blowers.

†Mounting height refers to distance between top of a 36" tall cooking surface and bottom of hood.

Specifications subject to change, check zephyronline.com for up-to-date information.  
Zephyr Ventilation | 2277 Harbor Bay Parkway, Alameda, CA 94502 | 888.880.VENT

AUG19.0101

