

VORTEX one-piece liner

The Vortex one-piece liner leads the way with the industry's only adjustable-depth installation dimensions. Staying true to its one-piece liner roots, Vortex has a single liner piece that is designed to extend up to 3-inches towards the front of the range hood so you can install it in spaces built for a hood up to 20-1/2-inches deep. Add to this its category-leading 390 CFM, optional recirculation kit and its 36-inch mounting height maximum and Vortex stands tall among the rest.

MODEL	SIZE	INTERNAL BLOWER	
		<i>Min.-Max. CFM</i>	<i>Min.-Max. Sones</i>
AK9028AS	28-3/8" (30")	200 - 390	1.4 - 5
AK9034AS	34-3/8" (36")	200 - 390	1.4 - 5
AK9028AS290	28-3/8" (30")	180 - 290	1.3 - 3.2
AK9034AS290	34-3/8" (36")	180 - 290	1.3 - 3.2



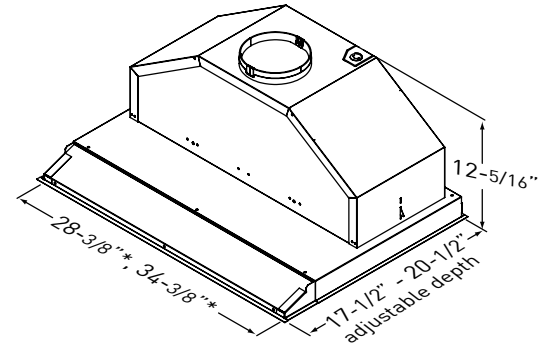
MATCHES CONVENTIONAL INSTALLATION DIMENSIONS



26" - 36" MOUNTING HEIGHT

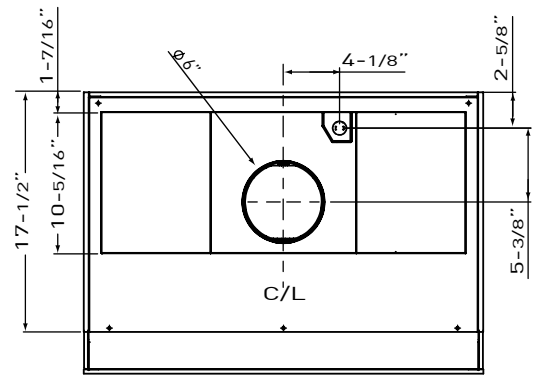
VORTEX | POWER

SIZE	
AK9028AS / AK9028AS290	28-3/8" (30")
AK9034AS / AK9034AS290	34-3/8" (36")
PERFORMANCE	
INTERNAL, MIN.-MAX. BLOWER CFM	
AK9028AS / AK9034AS	200 - 390
AK9028AS290 / AK9034AS290	180 - 290
INTERNAL, MIN.-MAX. SONES	
AK9028AS / AK9034AS	1.4 - 5
AK9028AS290 / AK9034AS290	1.3 - 3.2
COLOR	
STAINLESS STEEL	SS
FEATURES	
CONTROLS	Mechanical Slide
SPEED LEVELS	3
LIGHTING	Halogen, 35W x 2
DUAL LEVEL LIGHTING	Yes
FILTERS	Hybrid Baffle x 1
RECIRCULATING OPTION	Yes
ADJUSTABLE DEPTH	Yes
DUCT SPECIFICATIONS	
VERTICAL - INTERNAL	6" Round
HORIZONTAL - INTERNAL	NA
AC POWER	
AK9028AS / AK9034AS	120V, 60Hz at Max. 3A
AK9028AS290 / AK9034AS290	120V, 60Hz at Max. 1.5A
OPTIONAL ACCESSORIES	
RECIRCULATING KIT	ZRC-9000
MOUNTING HEIGHT*	26" - 36"
WARRANTY	3 Years Parts, 1 Year Labor

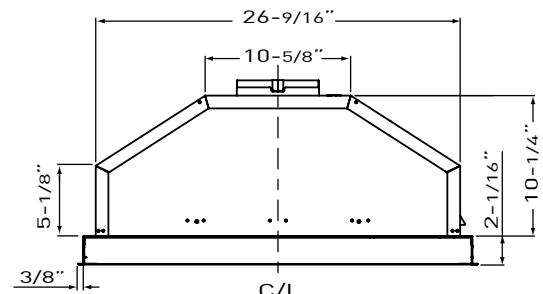


*dimensions do not include 3/8" wide flange around the liner

FRONT



TOP



BACK

Specifications subject to change, check zephyronline.com for up-to-date information.

*Mounting height refers to distance between top of a 36" tall cooking surface and bottom of hood.

