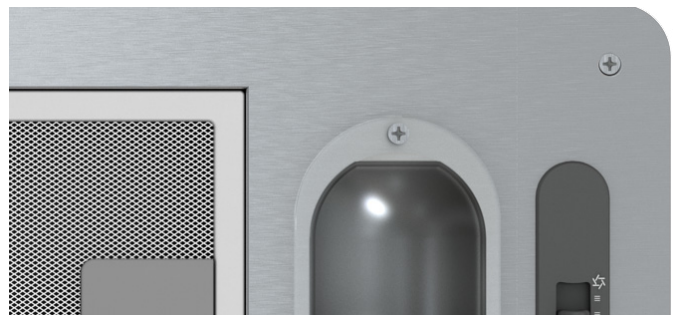


TWISTER ES power pack

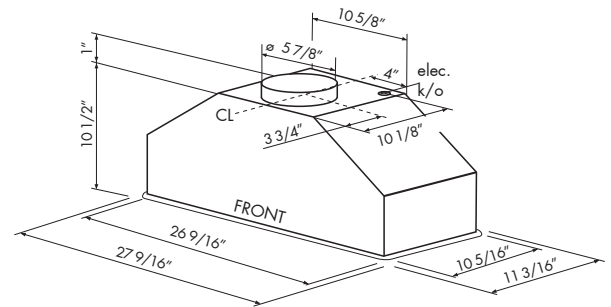
The Twister ES, certified **ENERGY STAR**® power pack was designed with cost efficiency in mind for a solution that blends in anywhere. The 3-speed Twister ES hides the ventilation you need beneath your custom, built-in canopy. An optional stainless steel liner extends the hood and protects your cabinetry. 290-CFM, 3-speeds, ENERGY STAR approved. Includes energy-efficient, warm white fluorescent lighting.

MODEL	SIZE	INTERNAL BLOWER	
		<i>Min.-Max. CFM</i>	<i>Min.-Max. Sones</i>
AK8000AS-ES	27"	180 - 290	1.6 - 3.8



TWISTER ES | POWER

SIZE	
AK8000AS-ES	27"
PERFORMANCE	
INTERNAL, MIN.-MAX. BLOWER CFM	180 - 290
INTERNAL, MIN.-MAX. SONES	1.6 - 3.8
COLOR	
STAINLESS STEEL	SS
FEATURES	
ENERGY STAR CERTIFIED	Yes
CONTROLS	Mechanical Slide
SPEED LEVELS	3
LIGHTING	Fluorescent, 13W x 2
DUAL LEVEL LIGHTING	No
FILTERS	Aluminum Mesh x 1
RECIRCULATING OPTION	No
DUCT SPECIFICATIONS	
VERTICAL - INTERNAL	6" Round
HORIZONTAL - INTERNAL	NA
AC POWER	
	120V, 60Hz at Max. 1.2A
OPTIONAL ACCESSORIES	
30" LINER (17-1/8" - 20-1/2" DEPTH)	AK0800AS
36" LINER (17-1/8" - 20-1/2" DEPTH)	AK0836AS
MOUNTING HEIGHT*	
	26" - 34"
WARRANTY	
	3 Years Parts, 1 Year Labor



Specifications subject to change, check zephyronline.com for up-to-date information.

*Mounting height refers to distance between top of a 36" tall cooking surface and bottom of hood.



ZEPHYR