



Restaurants,
Pubs, & Bars



Health &
Fitness Clubs



Corporate

ZvPro600i-NA

HD Digital Encoder / Modulator

**HD Video and Digital Signage Over Coax
With Simultaneous Video-over-IP Streaming**

Superior Video Quality

- Simultaneous QAM/IP stream output with no compromise in performance
- Full MPEG2 implementation
- I, P, and B Frames
- Low latency
- Full motion estimation with a wide search range

Extensible Architecture

- Easy downloadable firmware updates
- Future enhancements provided regularly
- Emergency Alert System (EAS)

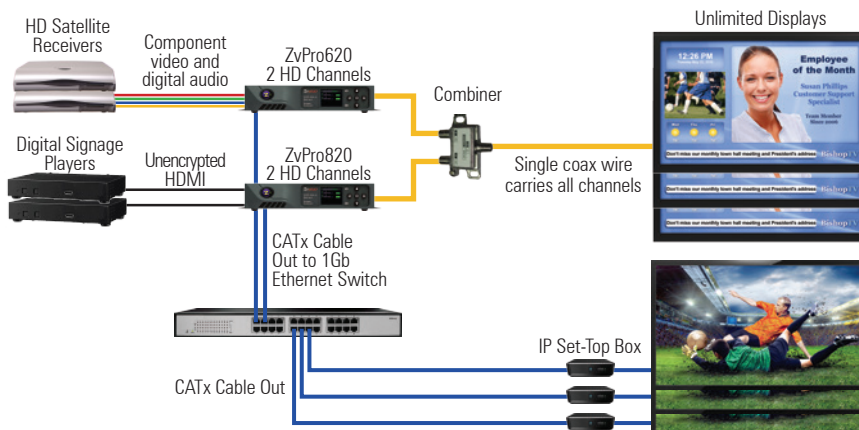
High Reliability

- Low-stress power system
- Full system instrumentation and monitoring
- Official international regulatory approval
- Forced air cooling for thermal control
- 5 Year Warranty

Ease of Management

- Powerful, highly intuitive web interface for instrumentation and control
- On-site or remote management
- Front Panel Display for on-site status and management at a glance
- Robust features like set-top-box control and delay-matched audio

Flexible Simultaneous QAM/IP Deployment



Zvpro*i*

Simple Installation
Easy Setup
Quick Rollout
It's Done.



BOSTON | DENVER | LONDON

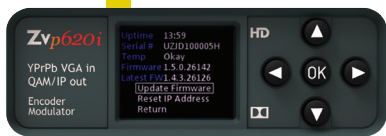
zeevee.com

ZvPro600i-NA

HD Digital Encoder / Modulator



ZvPro600i Rear Detail



ZvPro600i Front Detail



Accessories

Rackmount kit and Hydra AV and VGA cables sold separately.



North America Sales

+ 1.347.851.7364
sales@zeevee.com

EMEA Sales

+44 1494 956677
EMEAsales@zeevee.com

International Sales

+ 1.347.851.7364
intl-sales@zeevee.com



BOSTON | DENVER | LONDON

| GENERAL | |
|---|---|
| Model Names | ZvPro600 I-Series ZvPro620i ZvPro610i |
| Part Numbers | ZvPro620i-NA ZvPro610i-NA |
| Power | 100-240 VAC 50/60 Hz, 60W max. 30W Typical IEC 60320-C14 |
| Cooling | Internal cooling fan, front inlet, rear exhaust |
| Temperature/Humidity | Operating +32 F ^o to +113 F ^o (0 C ^o to +45 C ^o) / 10% to 80%, non-condensing |
| Vibration | NSTA 1A in carton |
| MTBF | 62,000 hours |
| Compliance | FCC Class A, IEC60065, EN61000 (see manual 70-00031-00), CE, RoHS, RCM C-Tick |
| Enclosure Type | Metal |
| Mounting | Shelf mount flange or rack ears (ordered separately), 1RU high |
| Enclosure Dimensions | 8 in. (H) x 10 in. (W) x 1.75 in. (H) 20.32 cm (H) x 25.4 cm (W) x 4.445 cm (H) |
| System Weight | 3.1 lbs. (1.4 kg) |
| Carton Dimensions (individual) | 2.75 in. (H) 14 in. x (W) 12 in. (D) 6.985 cm (H) 35.56 cm (W) x 30.48 cm (D) |
| Shipping Weight | 5 lbs. (2.3 kg) |
| Warranty | 5 years |
| VIDEO INPUT | |
| Component Video x2 or x1 | DIN connector HDbridge end, RCA connectors for HD source up to 1080 |
| Computer VGA (Analog) x2 or x1 | HD-15 connector, 75 Ohm RGB 0 to 0.7V, separate H and V sync |
| VGA Resolutions Supported | 640x480, 720x480, 800x600, 1024x768, 1152x864, 1176x864, 1280x720, 1280x768, 1280x800, 1280x960, 1280x1024, 1360x768, 1440x900 at 60 70, 72, 75, 85 Hz. 1680x1050 and 1920x1080 at 60 Hz. VGA resolutions are broadcast centered in the best vertical fit into 1920x1080p30 or 1280x720p60 |
| Closed Caption | EIA/CEA-608 captions accepted over composite video input |
| AUDIO INPUT | |
| Stereo Analog and Digital Audio x4 or x2 | Line level input per channel DIN connector HDbridge end, RCA connector or digital SPDIF audio input. 3.5 mm pigtail connector with VGA |
| VIDEO ENCODER | |
| Encoder Video Profile | MPEG2 HD: ISO13818-2 MainProfile@HighLevel |
| Traffic Shaping | Variable Bit Rate |
| Video Encoding Data Rates | Variable, 10 Mbs - 24 Mbs per channel |
| Average Encoding Data Rate | 18 Mbs per channel |
| Encoding Latency | Programmable 200 msec to 400 msec |
| Color Profile | 4:2:0 |
| GOP Size | 16 |
| Video, Audio PID | Programmable starting value |
| Program Information | Programmable program name, EIT |
| AUDIO ENCODER | |
| Encoder Audio Profile | ATSC A/52, Dolby [®] Digital (AC-3) |
| MODULATOR / UPCONVERTER | |
| Modulation Types | QAM 256 and 64 (ITU-T J83 Annex B) interleaving modes: (64,2) only |
| Cable Standard | HRC, IRC or STD |
| Frequency Range | Up to 2 paired, frequency-agile QAM RF CATV channels 2-135 <ul style="list-style-type: none"> • 2 kHz resolution • +/- 30 ppm accuracy • +/- 35 ppm stability |
| Output Power | + 45 dBmV typical |
| Output Level Adjust | 25 - 45 dBmV in 1dBmV steps |
| MER | > 38 dB typical |
| I/Q Amplitude Imbalance | < 1% typical |
| Spectral Tilt | < / = 1 dB over 6 MHz typical |
| IP STREAM OUTPUT | |
| Stream Details | RJ-45 10/100Mb Ethernet connection <ul style="list-style-type: none"> • Up to 2 SPTS, one for each encoded video stream • UDP unicast or multicast, IPV4 • User programmable destination address / port |
| CONTROL SET-UP | |
| Network Interface | 10/100 Mb Ethernet via RJ45 connection IP address via DHCP or set by user HTML/Javascript served web interface for easy configuration Telnet connection for CLI scripting Easy firmware updates All settings saved in NV storage |
| Front Panel Color Display | Quickly obtain status at a glance, basic configurations, firmware revisions and updates |