

ZyPer Rack Assembly and Mounting Brackets

The ZyPer Rack Assembly is a 19" x 5U or 6U space that is designed to hold eight or ten ZyPer encoders or decoders using the included carrier units. (ZyPer4K = 8 units and ZyPerUHD = 10 units) The Rack Assembly is flexible and allows devices to be mounted facing forward or backward depending upon your connection requirements. Each carrier unit features an L-bracket and any needed screws for a reliable and secure installation.

Operating Notes

- In closed or multi-unit rack assemblies, the operating temperature of the rack environment may be greater than the ambient room temperature. Ensure that the device(s) being installed do not exceed the maximum operating temperature.
- Always mount devices within the Rack Assembly so that sufficient air flow is not compromised.
- Orientation of the encoders and decoders, within the Rack Assembly, should be taken into consideration based on your current setup. For example, it may be desirable to install some encoders and decoders with the HDMI and Ethernet connectors facing the back of the Rack Assembly, instead of the front.

Features

- Holds up to eight ZyPer4K encoders or decoders within a 5U or 6U rack space.
 - Standard ZyPer4K units require 5U rack space.
 - Extended ZyPer4K encoders and ZyPer4K-XS units require 6U rack space
- Holds up to ten ZyPerUHD encoders in 6U rack space.
- Fits standard 19" rack assemblies
- Allows units to be mounted forward or backward
- L-bracket on each carrier unit provides secure mounting
- RoHS-compliant; built using environmentally-safe materials and construction

In the Box

- 1 x ZyPer Rack Assembly
- 8x or 10x carrier units
- 24 x 4-40 countersink screws (ZyPer4K)
- 2 Filler plates (ZyPerUHD) Used to cover unused slots in ZyPerUHD Rack Mount Kit

Rack Assembly Part Numbers

- ZyPer4K Standard Size Box = **Z4KRACKC1**
- Standard Size Filler Plate = **Z4KBCFP** (Used to cover unused slots in Standard Rack Mount Kit)
- ZyPer4K Extended Size Box = **Z4KRACKC2**
- Extended Size Filler Plate = **Z4KCEXTFP** (Used to cover unused slots in Extended Rack Mount Kit)
- Z4K Center Carrier Bracket = **Z4KCCBRK** (Used to mount standard size Z4K box in Extended Mount Kit)
- ZyPer4K-XS = **Z4KRACKXS**
- ZyPer4K-XS Blank Filler Plate = **Z4KXSBP** (Used to cover unused slots in ZyPer4K-XS Rack Mount Kit)
- ZyPerUHD = **ZUHDRACK** (Note: Does not currently support ZyPerUHD-EA units)
- ZyPerUHD Blank Filler Plate = **ZUHDBP** (Used to cover unused slots in ZyPerUHD Rack Mount Kit)

Installation

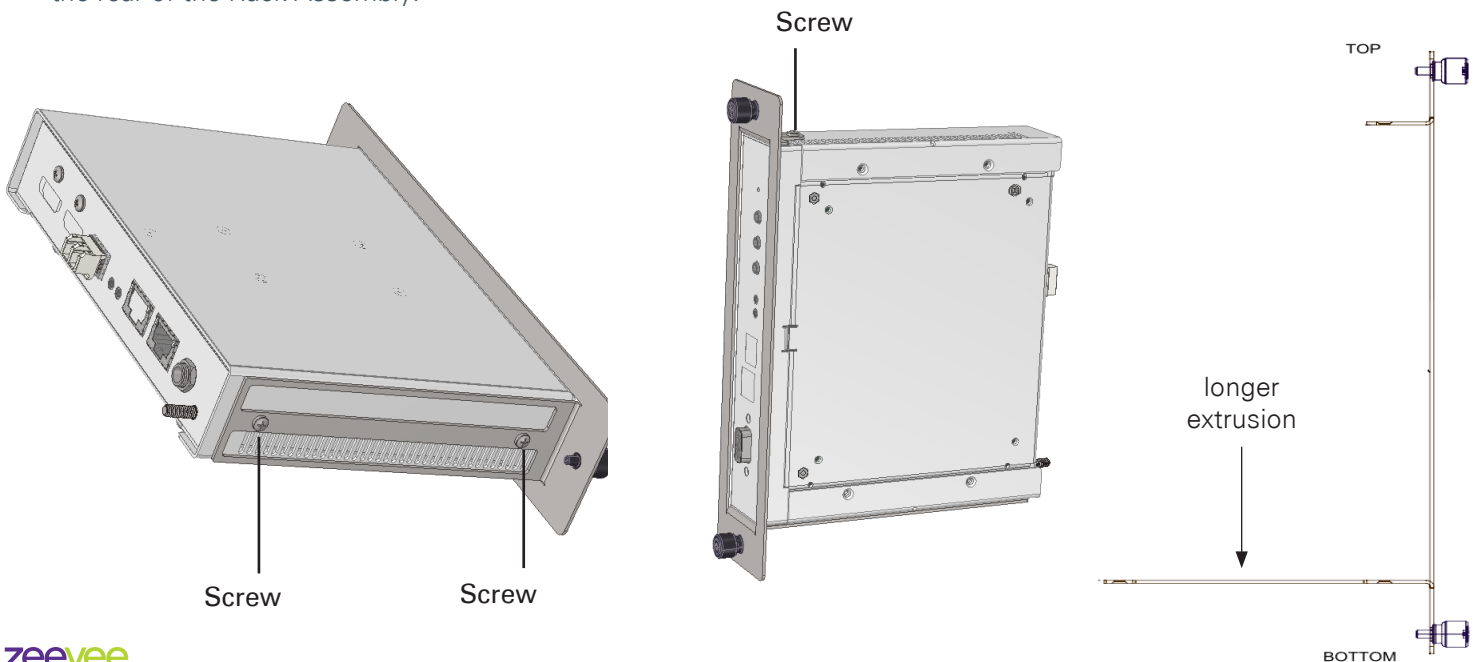
1. Mount the Rack Assembly in the rack using four screws, as shown:



2. Install the ZyPer4K encoders/decoder in the carrier unit using the included 4-40 countersink screws. ZyPerUHD should use the screws already included with the ZyPerUHD units. Make sure that three screws are used to secure each device. Note that the ZyPer encoders/decoders can be positioned forward or backward within each carrier unit, depending upon your requirements.

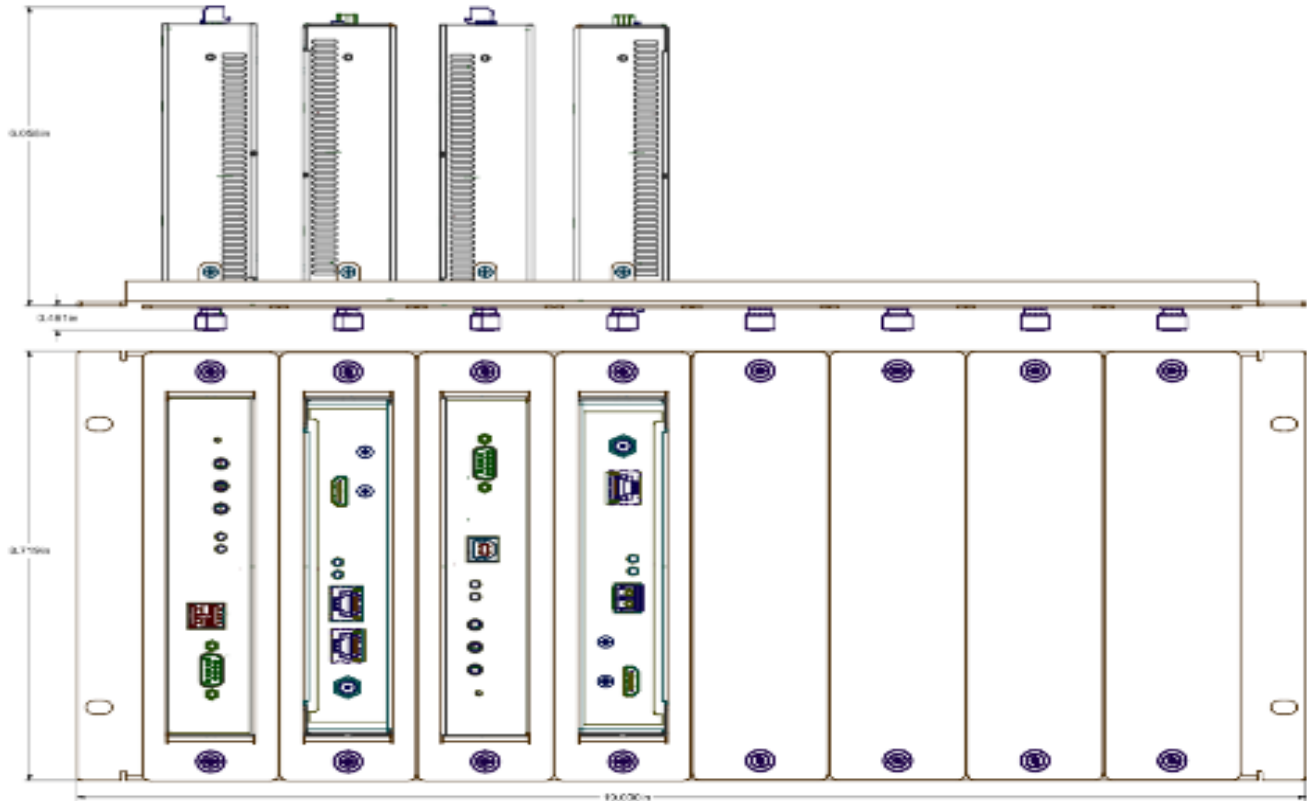
Orient the carrier so that the longer extrusion is at the bottom. Use two screws for this bottom portion of the carrier unit and a single screw on the top portion as shown. Three total screws.

For best results, the orientation of each encoder and decoder should be taken into consideration. For example, you may want to install some encoders or decoders so that the HDMI and Ethernet connectors are facing toward the rear of the Rack Assembly.



3. Install each carrier unit into an available slot on the Rack Assembly. Tighten the each thumbscrew until each carrier unit is secured. Do not overtighten or apply high-torque devices to the thumbscrews.

Each encoder and decoder can be installed in any of four positions, as shown below:



Specifications

Dimensions ZyPer4K Standard Box
(including carrier units)

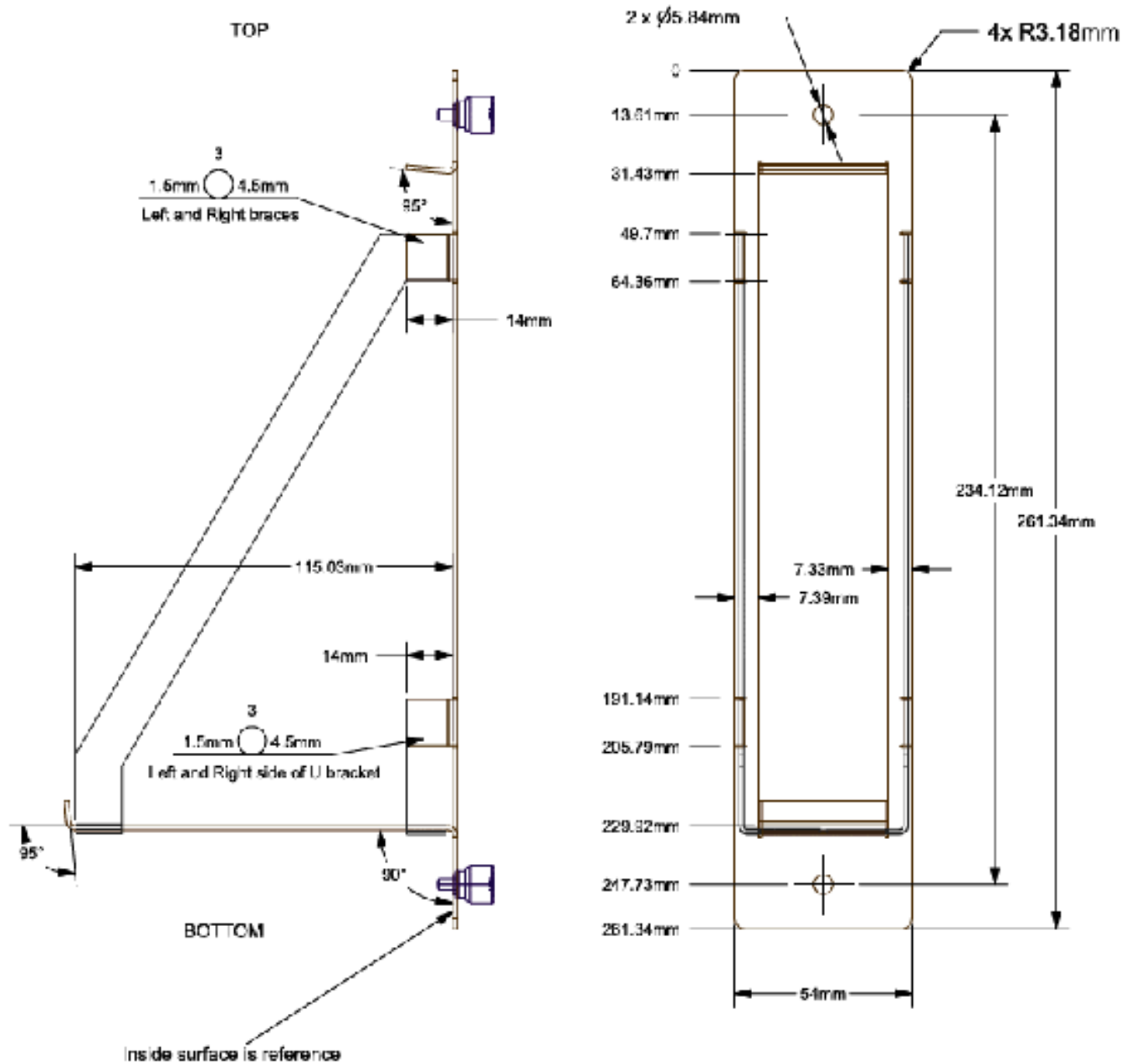
- 19.0" x 8.72" x 5.49" (483 mm x 221 mm x 139 mm)

Dimensions ZyPer4K Extended Box ZyPer4K-
XS and ZyPerUHD (including carrier units)

- 19.0" x 10.46" x 5.51" (483 mm x 266 mm x 140 mm)

ZyPer4K-XS

ZyPer4K-XS units do not require screws to attach to the carrier unit. They slide in and are held in place by the brackets themselves.



ZyPer4K-XS

ZyPer4K-XS units do not require screws to attach to the carrier unit. They slide in and are held in place by the bracket itself. Note the proper way to install the ZyPer4K-XS unit into the carrier module is as follows.

1. Insert ZyPer4K-XS into the bottom (wide) portion of the carrier module first.
2. Tilt the ZyPer4K-XS unit into the top portion of the carrier module while gently flexing the top portion of the carrier module outward so that the ZyPer4K-XS can slide under the small tab.
3. Gently flex the carrier module back if needed. Install the carrier module into the main base plate securely with both screws.



ZyPer4K L-Shaped Mounting Brackets

Standard units only. XS, XR and Silent Decoder units not supported.

ZyPer4K equipment may be used horizontally and simply sit upon the rubber feet that are factory installed. It is recognized that in some sites a more rigid and secure installation is desired. To that end, there are available L-shaped brackets which may be optionally used to rigidly affix the unit to a shelf, wall, or any sturdy surface.

Part number for the L-shaped brackets is **Z4KCMNTBRKT**

Note this part must be ordered separately.

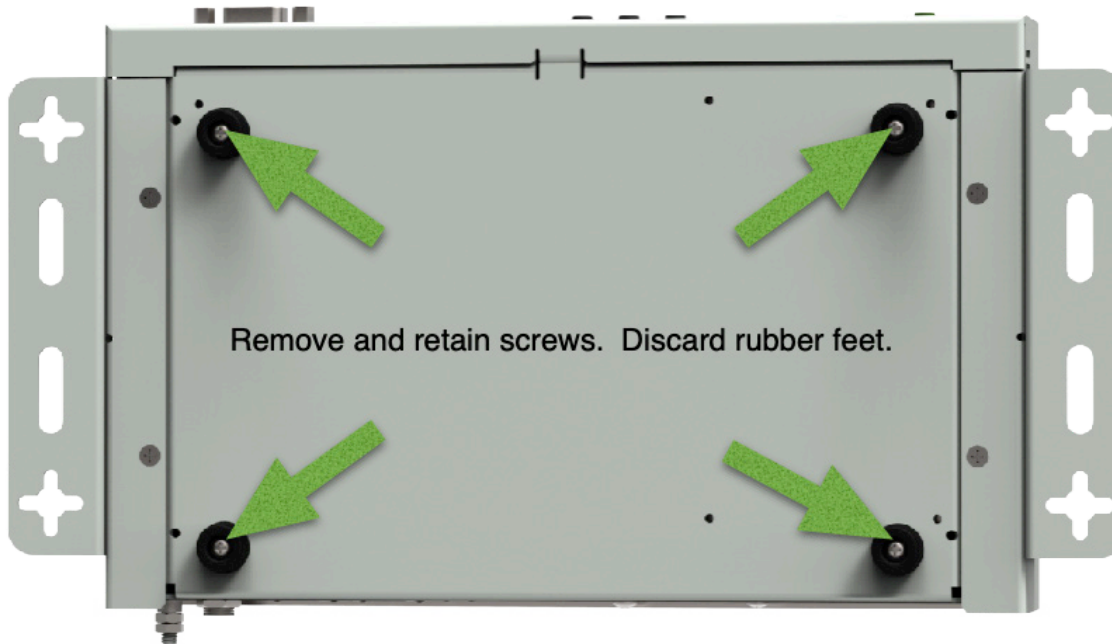
It is up to the installer to provide the appropriate screws or bolts to affix the unit to whatever surface it is to be mounted.

The optional L-Brackets allow for the ZyPer4K unit to be rigidly mounted flat to a cart, plate, wall, or any type of flat surface. The hole, cross, and slot cutouts allow for great flexibility in mounting

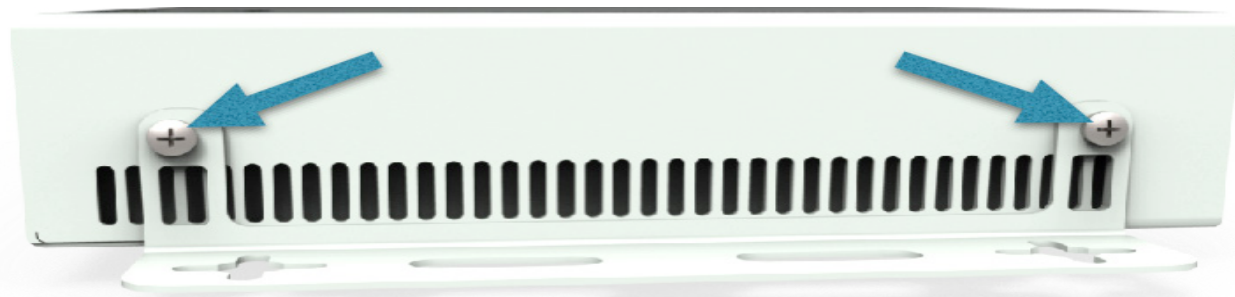


ZyPer4K L-Shaped Mounting Brackets

When using the L-Brackets, first remove the screws and rubber feet on the bottom of the unit. Retain the screws as they will be used to affix the L-Brackets to the ZyPer4K unit body. The rubber feet are not used when mounting with the L-Brackets.



Affix the L-Brackets to the sides of the unit using the retained screws from the rubber feet (repeat for each side).



Recommended mounting hardware for rigid mount

The installer must provide the appropriate hardware to mount the L-Brackets to whatever surface is used.

Drywall: When mounting to drywall, ZeeVee recommends use of Drywall anchors for #6 up to #10 hardware and washers appropriate to the size screw utilized. The recommended sequence of hardware would be; Drywall anchor, Flat Washer, ZyPer4K L-Bracket, Flat Washer, Screw or Bolt.

Sheet Metal Shelf or Equipment: #6 up to #10 thread-forming or thread-cutting machine screws. Pilot holes should be drilled using the equipment as an outline template. Should the removal of equipment periodically be required use thread-cutting screws. The recommended sequence of hardware would be; Flat Washer, ZyPer4K L-Bracket, Flat washer, Lock Washer (when using thread cutting screw), Screw or Bolt.

There should be 4 sets of screws and associated hardware in as "outboard" a position as is practicable.