

TURNTABLE / PLATINE VINYLE

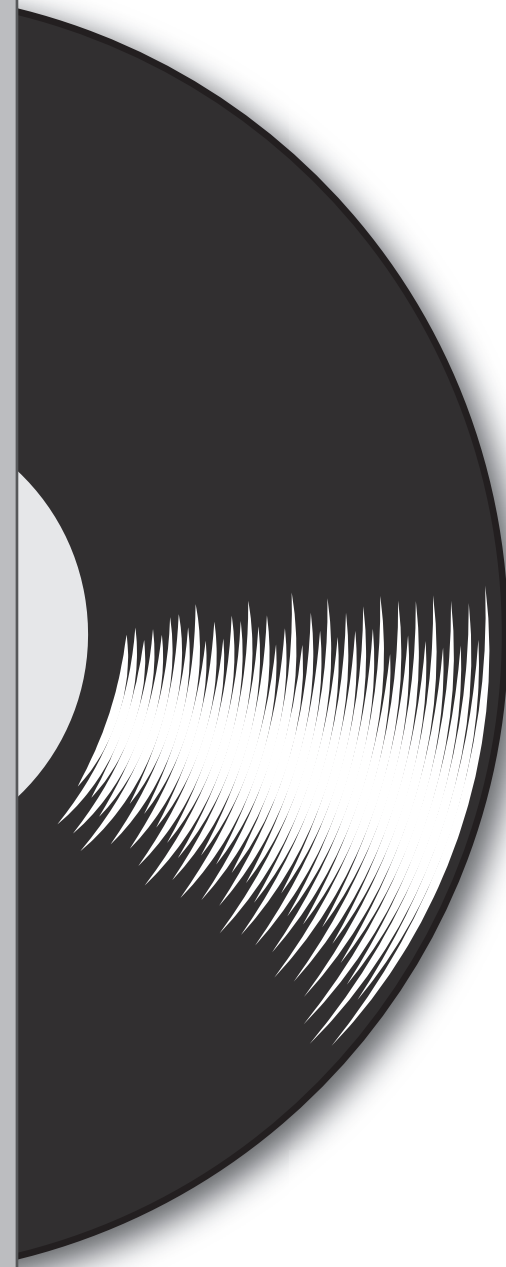
# TT-S303

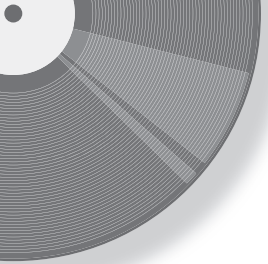
Owner's Manual  
Mode d'emploi



English

Français





This product is designed for use at home to enjoy listening to audio.

# IMPORTANT SAFETY INSTRUCTIONS

- 1 Read these instructions.
- 2 Keep these instructions.
- 3 Heed all warnings.
- 4 Follow all instructions.
- 5 Do not use this apparatus near water.
- 6 Clean only with dry cloth.
- 7 Do not block any ventilation openings. Install in accordance with the manufacturer's instructions.
- 8 Do not install near any heat sources such as radiators, heat registers, stoves, or other apparatus (including amplifiers) that produce heat.
- 9 Do not defeat the safety purpose of the polarized or grounding-type plug. A polarized plug has two blades with one wider than the other. A grounding type plug has two blades and a third grounding prong. The wide blade or the third prong are provided for your safety. If the provided plug does not fit into your outlet, consult an electrician for replacement of the obsolete outlet.
- 10 Protect the power cord from being walked on or pinched particularly at plugs, convenience receptacles, and the point where they exit from the apparatus.
- 11 Only use attachments/accessories specified by the manufacturer.
- 12 Use only with the cart, stand, tripod, bracket, or table specified by the manufacturer, or sold with the apparatus. When a cart is used, use caution when moving the cart/apparatus combination to avoid injury from tip-over.
- 13 Unplug this apparatus during lightning storms or when unused for long periods of time.
- 14 Refer all servicing to qualified service personnel. Servicing is required when the apparatus has been damaged in any way, such as power-supply cord or plug is damaged, liquid has been spilled or objects have fallen into the apparatus, the apparatus has been exposed to rain or moisture, does not operate normally, or has been dropped.



## WARNING

TO REDUCE THE RISK OF FIRE OR ELECTRIC SHOCK, DO NOT EXPOSE THIS APPARATUS TO RAIN OR MOISTURE.

(UL60065\_03)

# FCC INFORMATION (U.S.A.)

**1. IMPORTANT NOTICE: DO NOT MODIFY THIS UNIT!**

This product, when installed as indicated in the instructions contained in this manual, meets FCC requirements. Modifications not expressly approved by Yamaha may void your authority, granted by the FCC, to use the product.

**2. IMPORTANT:** When connecting this product to accessories and/or another product use only high quality shielded cables. Cable/s supplied with this product MUST be used. Follow all installation instructions. Failure to follow instructions could void your FCC authorization to use this product in the USA.

**3. NOTE:** This product has been tested and found to comply with the requirements listed in FCC Regulations, Part 15 for Class "B" digital devices. Compliance with these requirements provides a reasonable level of assurance that your use of this product in a residential environment will not result in harmful interference with other electronic devices. This equipment generates/uses radio frequencies and, if not installed and used according to the instructions found in the users manual, may cause interference harmful to the operation of other electronic devices.

Compliance with FCC regulations does not guarantee that interference will not occur in all installations. If this product is found to be the source of interference, which can be determined by turning the unit "OFF" and "ON", please try to eliminate the problem by using one of the following measures:

Relocate either this product or the device that is being affected by the interference.

Utilize power outlets that are on different branch (circuit breaker or fuse) circuits or install AC line filter/s.

In the case of radio or TV interference, relocate/reorient the antenna. If the antenna lead-in is 300 ohm ribbon lead, change the lead-in to co-axial type cable.

If these corrective measures do not produce satisfactory results, please contact the local retailer authorized to distribute this type of product. If you can not locate the appropriate retailer, please contact Yamaha Corporation of America, A/V Division, 6600 Orangethorpe Ave, Buena Park, CA90620

The above statements apply ONLY to those products distributed by Yamaha Corporation of America or its subsidiaries.

\* This applies only to products distributed by YAMAHA CORPORATION OF AMERICA.

(class B)

(For U.S.A.)

**IMPORTANT**

Please record the serial number of this unit in the space below.

**Model**  
\_\_\_\_\_

**Serial No.**  
\_\_\_\_\_

The serial number is located on the bottom or rear of the unit. Retain this Owner's Manual in a safe place for future reference.

\* This applies only to products distributed by YAMAHA CORPORATION OF AMERICA.

(Ser.No)

(For Canada)

**CAN ICES-3 (B)/NMB-3(B)**

(can\_b\_02)

# PRECAUTIONS

**PLEASE READ CAREFULLY BEFORE USE. BE SURE TO FOLLOW THESE INSTRUCTIONS.**

**The precautions listed below are to prevent risk of harm to the user and others, as well as to prevent property damage, and to help the user use this unit properly and safely. Be sure to follow these instructions.**

After reading this manual, be sure to keep it in a safe place where it can be referenced at any time.

- Be sure to request inspections or repairs from the dealer where you purchased the unit or from qualified Yamaha service personnel.
- Yamaha cannot be held responsible for injury to you or damage of the products caused by improper use or modifications to the unit.
- This product is for ordinary homes. Do not use for applications requiring high reliability, such as managing lives, health care or high-value assets.



## **WARNING**

**This content indicates “risk of serious injury or death.”**

### **Power supply/AC adaptor**

---

- Do not do anything that could damage the power cord.
  - Do not place it near a heater.
  - Do not bend it excessively or alter it.
  - Do not scratch it.
  - Do not place it under a heavy object.
- Using the power cord with the core of the cord exposed could cause electric shocks or a fire.
- Do not touch the power plug or cord if there is a chance of lightning. Failure to observe this may cause electric shocks.
- Use this unit with the power supply voltage printed on it. Failure to connect to an appropriate AC outlet may cause a fire, electric shocks, or malfunctions.
- Be sure to use the supplied AC adaptor. Failure to observe the above may cause a fire, burns, or malfunctions.
- Check the electric plug periodically and remove any dirt or dust which may have accumulated on it. Failure to observe this may cause a fire or electric shocks.
- When setting up the unit, make sure that the AC outlet you are using is easily accessible. If some trouble or malfunction occurs, immediately turn off the power switch and disconnect the plug from the AC outlet. Even when the power switch is turned off, as long as the power cord is not

unplugged from the wall AC outlet, the unit will not be disconnected from the power source.

- If you hear thunder or suspect approaching lightning, quickly turn off the power switch and pull the power plug from the AC outlet. Failure to observe this may cause a fire or malfunctions.
- If not using the unit for long periods of time, be sure to pull the power plug from the AC outlet. Failure to observe this may cause a fire or malfunctions.

### **Do not disassemble**

---

- Do not disassemble or modify this unit. Failure to observe this may cause a fire, electric shocks, injury, or malfunctions. If you notice any irregularities, be sure to request an inspection or repair from the dealer where you purchased the unit or from qualified Yamaha service personnel.

### **Water warning**

---

- Do not expose the unit to rain, use it near water or in damp or wet conditions, or place on it any containers (such as vases, bottles or glasses) containing liquids which might spill into any openings or places where water may drop. A liquid such as water getting into the unit may cause a fire, electric shocks, or malfunctions. If any liquid such as water seeps into the device, turn off the power immediately and unplug the power cord from the AC outlet. Then, request an inspection from the dealer where you purchased the unit or from qualified Yamaha service personnel.

- Never insert or remove an electric plug with wet hands. Do not handle this unit with wet hands. Failure to observe this may cause electric shocks or malfunctions.

## Fire warning

---

- Do not place any burning items or open flames near the unit, since they may cause a fire.

## If you notice any abnormality

---

- If any of the following abnormalities occur, immediately turn off the power and disconnect the power plug.
  - The power cord/plug is damaged.
  - An unusual smell or smoke is emitted from the unit.
  - Foreign material gets into the interior of the unit.
  - There is a crack or damage in the unit.

Continued use could cause electric shocks, a fire, or malfunctions. Immediately request an inspection or repair from the dealer where you purchased the unit or from qualified Yamaha service personnel.

- Be careful not to drop or apply strong impact to this unit or the AC adaptor. If you suspect the unit may have been damaged due to dropping or impact, immediately turn off the power and pull the power plug from the AC outlet. Failure to observe this may cause electric shocks, a fire, or malfunctions. Immediately request an inspection from the dealer where you purchased the unit or from qualified Yamaha service personnel.



## CAUTION

This content indicates “risk of injury.”

### Power supply/AC adaptor

---

- Do not cover or wrap the AC adaptor with a cloth or blanket. Failure to observe this may trap heat, causing deformation in the case or a fire.
- Do not use an AC outlet where the power plug fits loosely when inserted. Failure to observe this may cause a fire, electric shocks, or burns.
- When removing the electric plug from the unit or an AC outlet, always hold the plug itself and not the cord. Pulling by the cord can damage it and cause electric shocks or a fire.
- Insert the power plug firmly all the way into the AC outlet. Using the unit when it is not plugged in sufficiently can cause dust to accumulate on the plug, causing a fire or burns.

### Installation

---

- Do not place the unit in an unstable position where it might accidentally drop or fall over and cause injuries.
- Ensure that the top is facing upwards. Failure to observe this may cause malfunctions or for the unit to fall and cause injury.
- Do not install the unit in places where it may come into contact with corrosive gases or salt air or places that have excessive smoke or steam. Doing so may result in malfunction.
- Avoid being near the unit during a disaster, such as an earthquake. Since the unit may turn over or fall and cause injury, quickly move away from the unit and go to a safe place.

- Before moving this unit, be sure to turn off the power switch and disconnect all connection cables. Failure to observe this may damage the cables or cause you or someone else to trip and fall.

## Hearing loss

---

- Before connecting the unit to other devices, turn off the power for all devices. Failing to do so may result in hearing loss, electric shock, or device damage.
- When turning on the AC power in your audio system, always turn on the amplifier or receiver LAST, to avoid hearing loss and speaker damage. When turning the power off, the amplifier or receiver should be turned off FIRST for the same reason. Failure to observe the above may cause hearing impairment or speaker damage.

## Maintenance

---

- Remove the power plug from the AC outlet before cleaning the unit. Failure to observe this may cause electric shocks.

## Handling caution

---

- Keep small parts out of the reach of infants. Your children may accidentally swallow them.
- Do not do the following:
  - stand on or sit on the equipment.
  - put heavy items on top of the equipment.
  - place the equipment in a stack.
  - apply unreasonable force to buttons, switches, input/output terminals, etc.
  - lean against the equipment.
- Avoid pulling the connected cables to prevent injuries or damage to the unit by causing it to fall.

## Notice

Indicates points that you must observe in order to prevent product failure, damage, or malfunction.

### Power supply/AC adaptor

- If not using the unit for a long period of time, be sure to pull the power plug from the outlet. A minute current is still flowing even if the power has been turned off (the power is in standby).

### Installation

- Do not use this unit in the vicinity of other electronic equipment, such as a TV, radio, or mobile phone. Failure to observe this may cause this unit or the TV or radio to produce noise.
- Do not use this unit in a location that is exposed to direct sunlight that becomes extremely hot, such as near a heater, or extremely cold, or that is subject to excessive dust or vibration. Failure to observe this may cause the unit's panel to become deformed, the internal components to malfunction, or for operation to become unstable.

### Connections

- If connecting external units, be sure to thoroughly read the manual for each unit and connect them in accordance with the instructions.  
Failure to properly handle a unit in accordance with the instructions could cause malfunctions.

## Handling

- Do not place plastic or rubber products on this unit. Failure to observe this may cause discoloration or deformation in the panel of this unit.
- If the ambient temperature changes drastically (such as during unit transportation or under rapid heating or cooling) and there is a chance condensation may have formed in the unit, leave the unit for several hours without turning on the power until it is completely dry before use. Using the unit while there is condensation can cause malfunctions.

## Maintenance

- If the temperature or humidity changes drastically, water droplets (condensation) may form on the unit surface. If water droplets form, immediately wipe them off with a soft cloth. If water droplets are left on the unit, they may be absorbed into the wooden parts, causing deformation.
- When cleaning the unit, use a dry, soft cloth. Using chemicals such as benzine or thinner, cleaning agents, or chemical scrubbing cloths can cause discoloration or deformation.

## Information

### About content in this manual

- The illustrations in this manual are for instructional purposes only.
- The company names and product names in this manual are the trademarks or registered trademarks of their respective companies.

### ■ About the name plate of the unit

The model number, serial number, power requirements, etc., may be found on or near the name plate, which is at the bottom of the unit. You should note this serial number in the space provided below and retain this manual as a permanent record of your purchase to aid identification in the event of theft.

**Model No.**

---

**Serial No.**

---

(bottom\_en\_01)



# Contents

## **Before you start** **8**

---

Features of this unit . . . . .	8
About this manual . . . . .	8
Check the supplied accessories . . . . .	9
Handling records . . . . .	9
<b>Parts and their functions</b> . . . . .	<b>10</b>
Top panel . . . . .	10
Back panel . . . . .	11

## **Getting ready** **12**

---

<b>Location</b> . . . . .	<b>12</b>
<b>Assembly</b> . . . . .	<b>12</b>
Assembling the unit . . . . .	12
Attaching the dust cover . . . . .	14
<b>Making connections</b> . . . . .	<b>15</b>
<b>Making adjustments</b> . . . . .	<b>16</b>
Adjusting the stylus pressure . . . . .	16
Adjusting the anti-skating . . . . .	18
<b>Turning the power on</b> . . . . .	<b>18</b>

## **Playback** **19**

---

## **When necessary** **22**

---

<b>Care</b> . . . . .	<b>22</b>
<b>Replacement</b> . . . . .	<b>22</b>
Replacing the belt . . . . .	22
Replacing the record stylus . . . . .	23
<b>Moving this unit</b> . . . . .	<b>23</b>
<b>Troubleshooting</b> . . . . .	<b>24</b>
<b>Specifications</b> . . . . .	<b>26</b>



# Before you start

## Features of this unit

---





This is a turntable for playing analog records.

- **Wooden cabinet with a gloss finish**  
Provides both beauty and practical advantages such as high rigidity and vibrational damping
- **Highly rigid straight tone arm** virtually eliminates any effect on the delicate musical signal
- **Easy switching between LINE output** equipped with a high-quality PHONO EQ circuit and PHONO direct output, giving you flexibility when setting up your record playback system
- **High rotational stability** is achieved by using an aluminum die cast platter belt-driven by a high-torque DC motor
- **Feedback margin** is maintained by insulators (feet) that feature excellent absorption of vibration and shock

## About this manual

---

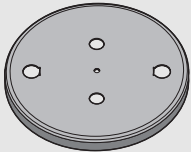
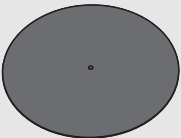
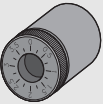
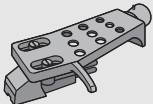
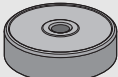
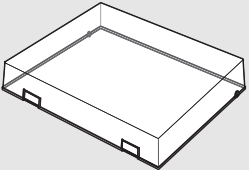
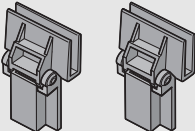
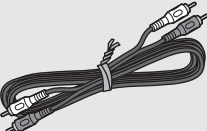
When reading this manual, please note the following.

- ◆ Specifications and appearance are subject to change without notice in order to improve the product.
- ◆ Explanation of graphic symbols used in this manual:
  - “ **WARNING**” indicates points that you must observe to avoid risk of death or serious injury.
  - “ **CAUTION**” indicates points that you must observe to avoid risk of injury.
  -  **NOTICE** indicates points that you must observe to avoid damaging the product or causing it to malfunction.
  -  **NOTE** indicates supplementary information that you will find useful.



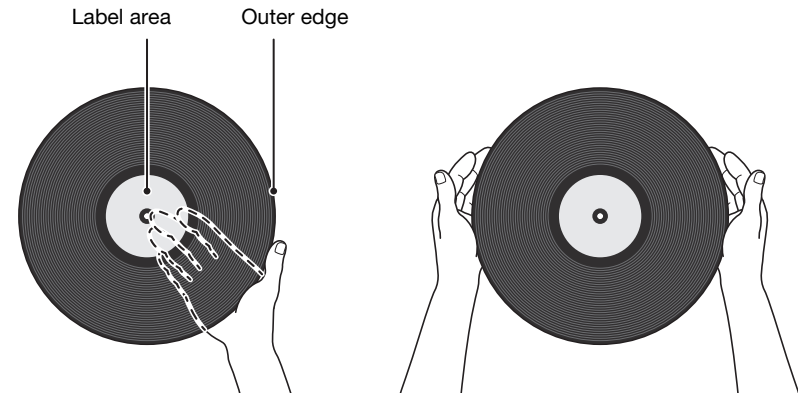
# Check the supplied accessories

Make sure that all items are present.

<input type="checkbox"/> <b>Platter x1</b> 	<input type="checkbox"/> <b>Platter sheet x1</b> 	<input type="checkbox"/> <b>Belt x1</b> * The belt is installed on the platter.
<input type="checkbox"/> <b>Counter weight x1</b> 	<input type="checkbox"/> <b>Head shell x1 (with cartridge)</b> 	<input type="checkbox"/> <b>45 rpm adaptor x1</b> 
<input type="checkbox"/> <b>Dust cover x1</b> 	<input type="checkbox"/> <b>Dust cover hinge x2</b> 	<input type="checkbox"/> <b>RCA stereo cable x1</b> 
<input type="checkbox"/> <b>AC adaptor x1</b> * For details, refer to the included "Supplement" (leaflet).	<input type="checkbox"/> <b>Owner's Manual (this manual)</b> <input type="checkbox"/> <b>Supplement (leaflet)</b>	

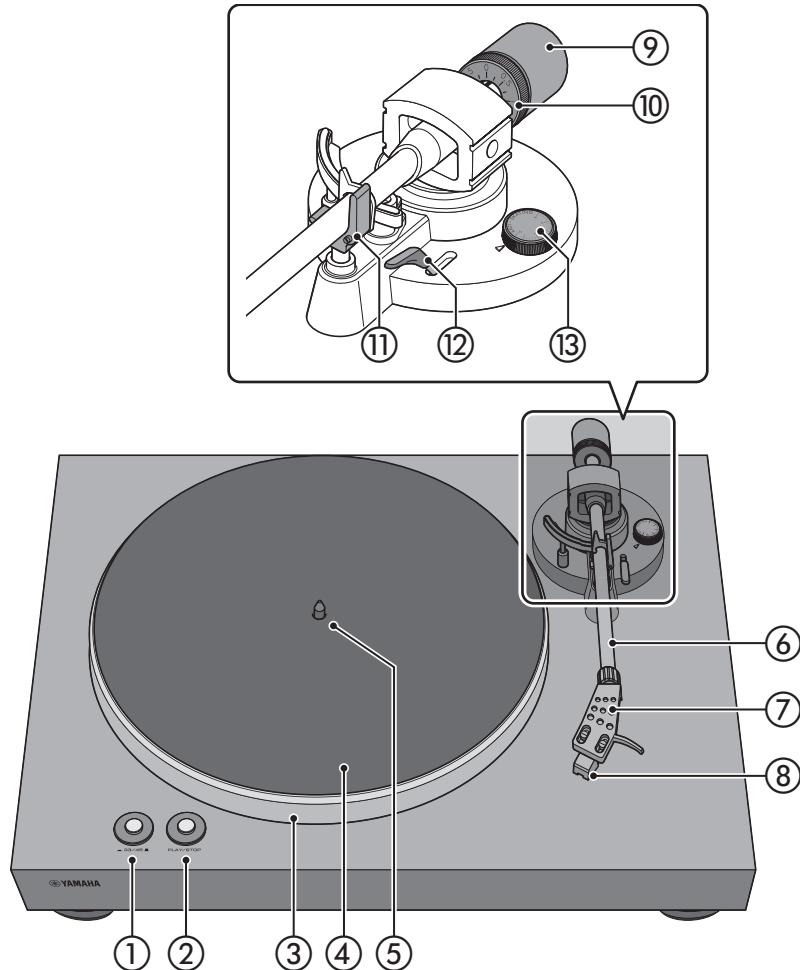
# Handling records

When you hold a record, you should either support the record's label area and its outer edge, or hold the record's outer edges between your two hands.



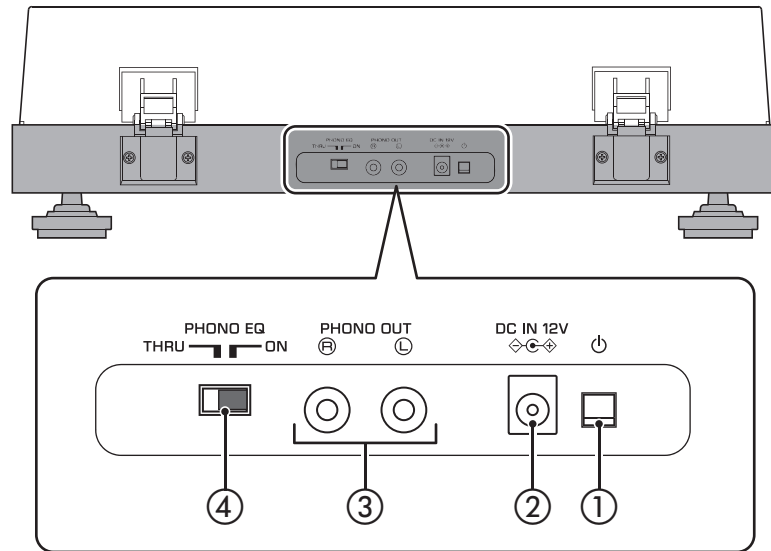
# Parts and their functions

## Top panel



- ① 33/45 (speed) (⇒ page 19)
- ② PLAY/STOP (play/stop) (⇒ page 19)
- ③ Platter (⇒ page 12)
- ④ Platter sheet (⇒ page 13)
- ⑤ Center spindle (⇒ page 12)
- ⑥ Tone arm (⇒ page 13)
- ⑦ Head shell (⇒ page 13)
- ⑧ Cartridge
- ⑨ Counter weight (⇒ page 13)
- ⑩ Counter ring (⇒ page 17)
- ⑪ Arm rest (⇒ page 16)
- ⑫ Lift lever (⇒ page 20)
- ⑬ Anti-skating (⇒ page 18)

## Back panel



### ① **Power**

This turns the unit's power on/off. (⇒ page 18)

 : on

 : off

### ② **DC IN jack**

Connect the AC adaptor (supplied) to this jack. (⇒ page 15)

### ③ **PHONO OUT jacks**

These jacks output the playback audio of the record. (⇒ page 15)

### ④ **PHONO EQ (phono equalizer) switch**

As appropriate for the device that is connected, set this to switch the signal that is output from the PHONO OUT jacks. (⇒ page 15)

# Getting ready

## Location

Because record playback is easily affected by vibration, you should place the unit in a level location that is not subject to external vibration. Place it sufficiently far from your speaker system so that it will not be affected by sound pressure or vibration.

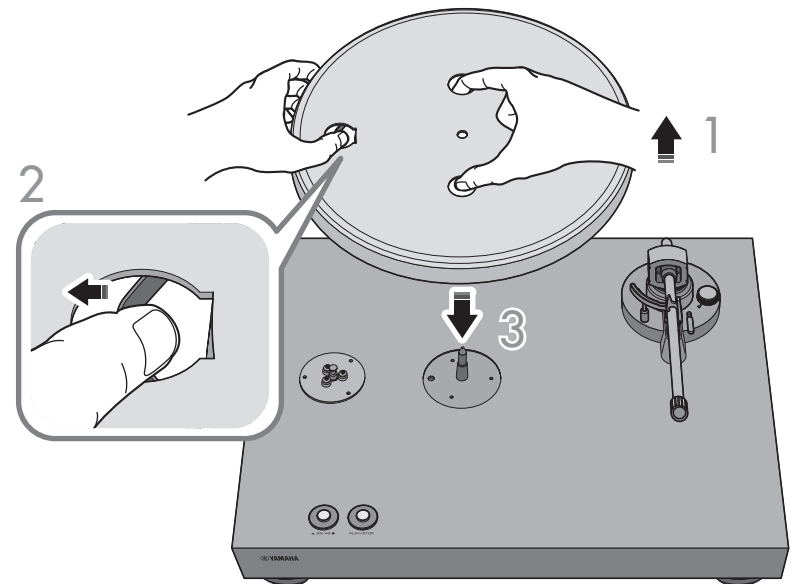
## Assembly

### Assembling the unit

- 1 Lift up the platter.
- 2 Reaching through the round hole in the platter, pull the belt outward, hooking it over your finger.
- 3 Insert the platter onto the center spindle.

#### CAUTION

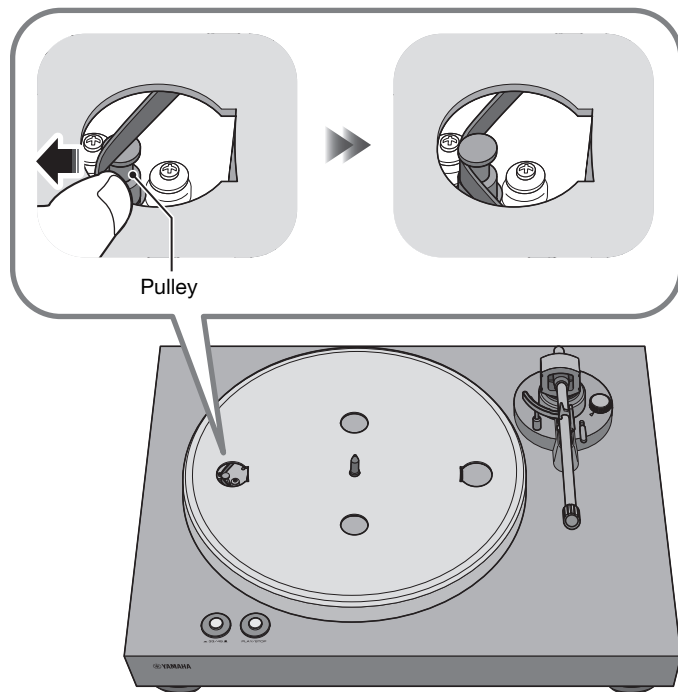
- ◆ Take care not to drop the platter. Dropping it might cause injury, or might damage the unit.



**4** Align the round hole of the platter with the pulley.

**5** Use your finger to hook the belt onto the pulley.

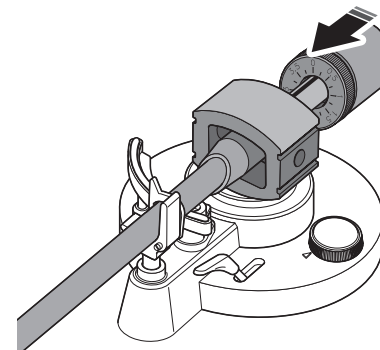
Take care that the belt is not twisted. After hooking the belt onto the pulley, rotate the platter several times to ensure that the belt is smoothly in place.



**6** Place the platter sheet on the platter.

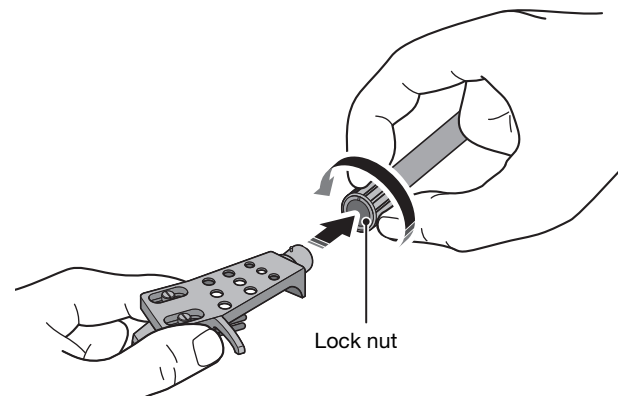
**7** Attach the counter weight to the tone arm.

With the markings on the counter weight facing you, slide it onto the back end of the tone arm.



**8** Attach the head shell to the tone arm.

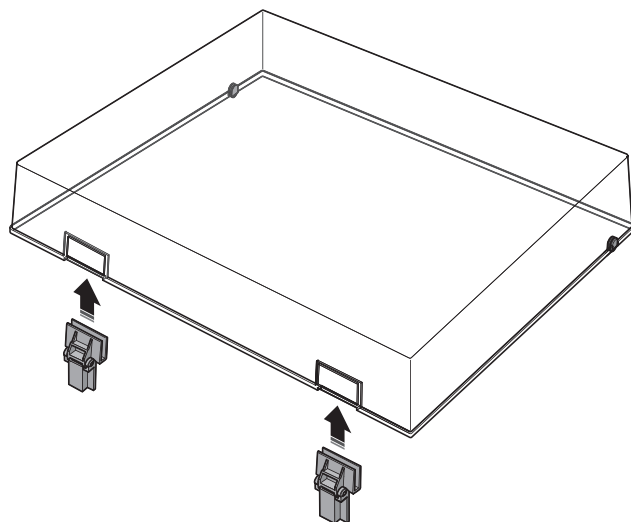
Insert the head shell into the front end of the tone arm, and turn the lock nut to secure it.



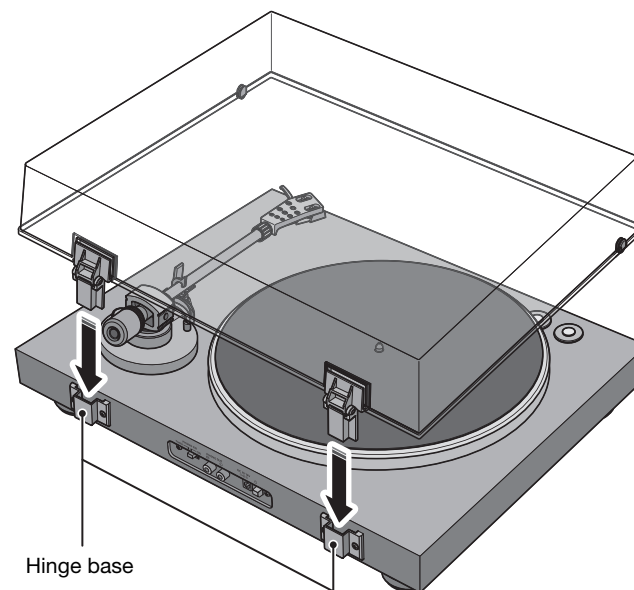
## Attaching the dust cover

The dust cover protects this unit from dust etc.

- 1 Insert the hinges into the appropriate locations at two sides of the dust cover.



- 2 Attach the dust cover by inserting the hinges into the hinge bases located on the back panel of the unit.



### NOTE

- ◆ To remove the dust cover, grasp the two sides of the dust cover and slowly lift upward to remove the cover together with its hinges.

### CAUTION

- ◆ Take care not to pinch your hands or fingers when opening or closing the dust cover

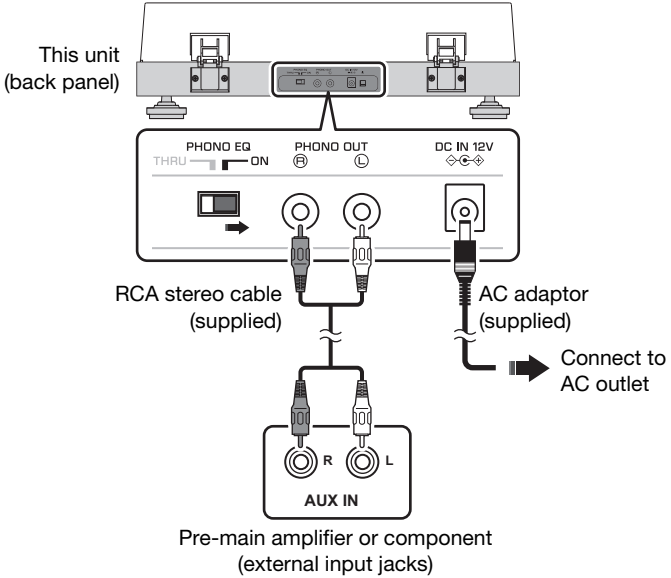
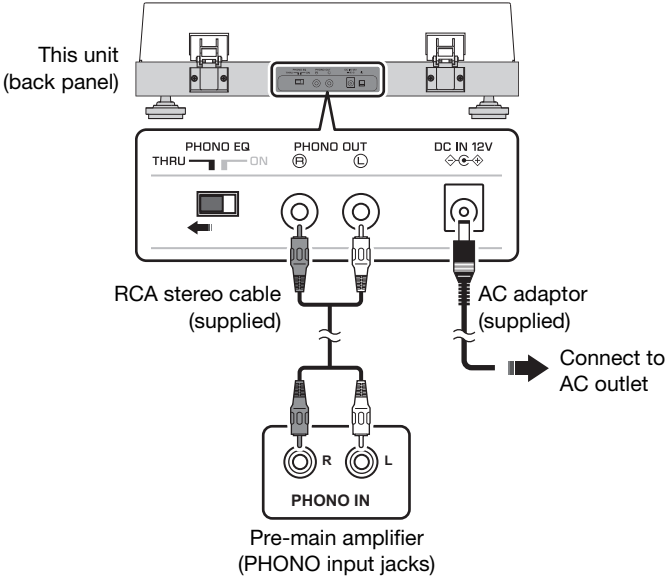
# Making connections

## CAUTION

- ◆ Finish making all other connections before you connect the AC adaptor (supplied) to an AC outlet.

## NOTE

- ◆ Also refer to the owner's manuals of the device that you are connecting.

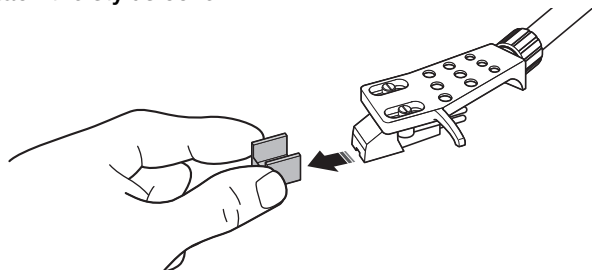
Connected devices	<ul style="list-style-type: none"> <li>• Devices not equipped with PHONO input jacks</li> </ul>  <p>This unit (back panel)</p> <p>RCA stereo cable (supplied)</p> <p>AC adaptor (supplied)</p> <p>Connect to AC outlet</p> <p>AUX IN</p> <p>Pre-main amplifier or component (external input jacks)</p>	<ul style="list-style-type: none"> <li>• Devices equipped with PHONO input jacks</li> </ul>  <p>This unit (back panel)</p> <p>RCA stereo cable (supplied)</p> <p>AC adaptor (supplied)</p> <p>Connect to AC outlet</p> <p>PHONO IN</p> <p>Pre-main amplifier (PHONO input jacks)</p>
	PHONO EQ switch setting	ON (default)
This unit's equalizer function	<p><b>Enabled</b></p> <p>The signal from the cartridge is amplified by the phono equalizer that is built into this unit, and is output from the PHONO OUT jacks.</p>	<p><b>Disabled</b></p> <p>The signal from the cartridge is output directly from the PHONO OUT jacks.</p>

# Making adjustments

## Adjusting the stylus pressure

Adjust the tone arm so that the appropriate stylus pressure is applied to the record.

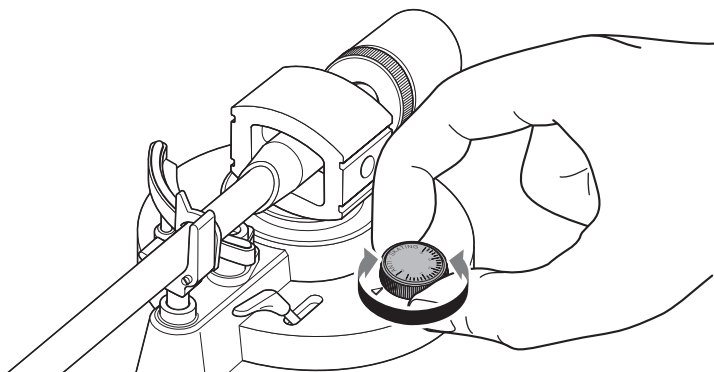
- 1 Detach the stylus cover.



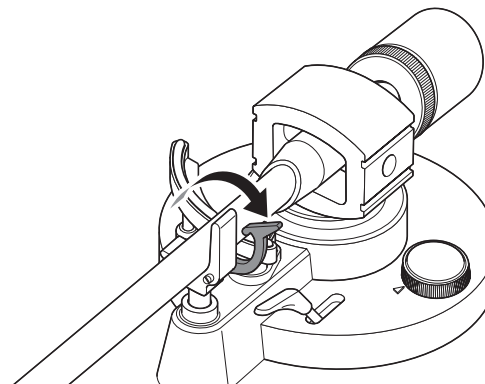
### NOTICE

- ◆ Take care that the stylus cover or your finger do not contact the stylus.

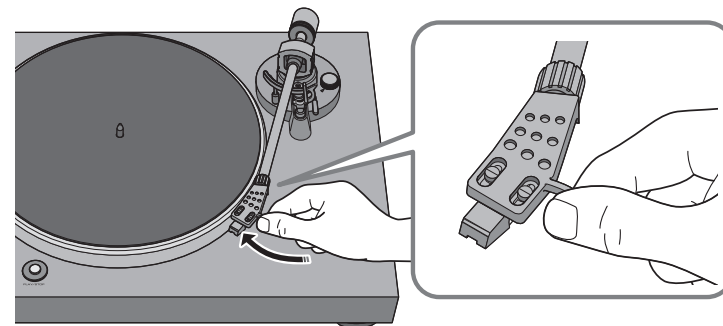
- 2 Set the anti-skating adjustment to the "0" position.



- 3 Release the tone arm lock.



- 4 Move the tone arm off of the arm rest and slightly to the left.



### NOTICE

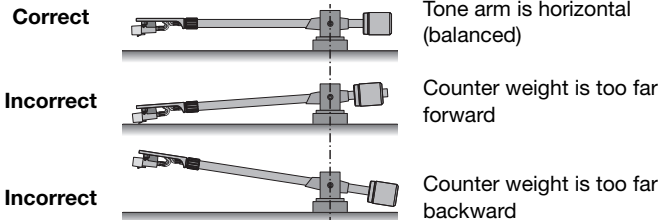
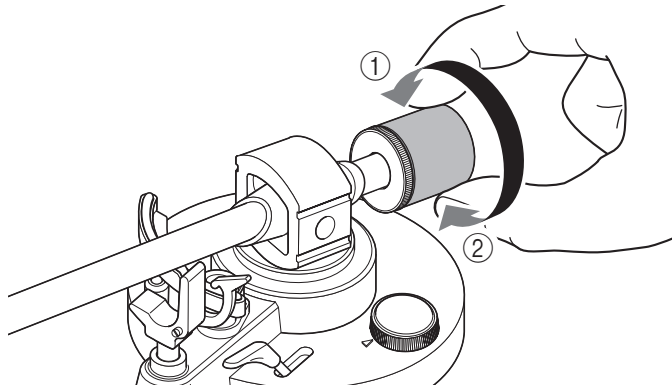
- ◆ Take care that the needle does not contact any part of the unit.



## 5 Turn the counter weight so that the tone arm is horizontal.

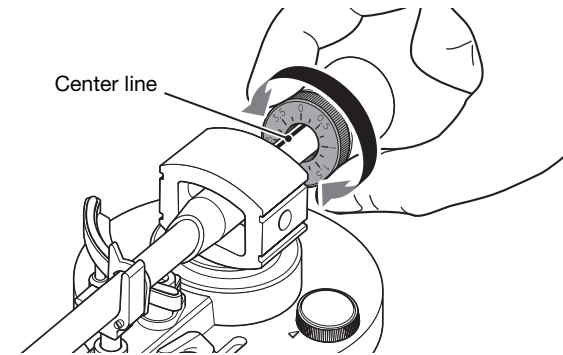
Toward ①: Counter weight moves forward on the tone arm.

Toward ②: Counter weight moves backward on the tone arm.



## 6 Return the tone arm to the arm rest, and lock it in place.

## 7 Turn the counter ring so that the "0" marking is aligned with the center line on the back end of the tone arm.

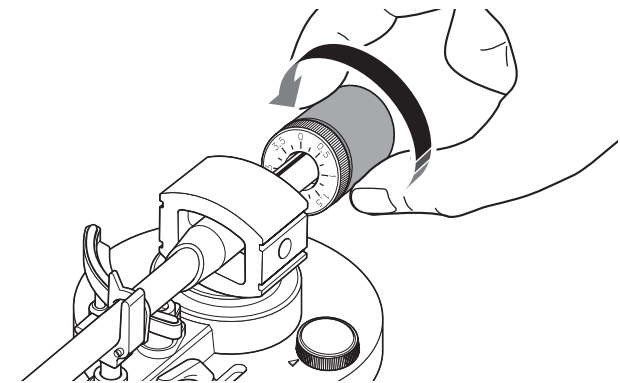


### NOTE

- ◆ When turning the counter ring, use your fingers to press the counter weight so that it does not rotate.

## 8 By turning the counter weight, set the counter weight markings to the stylus pressure specified for the cartridge.

The specified stylus pressure for the supplied cartridge is 3.5 g.



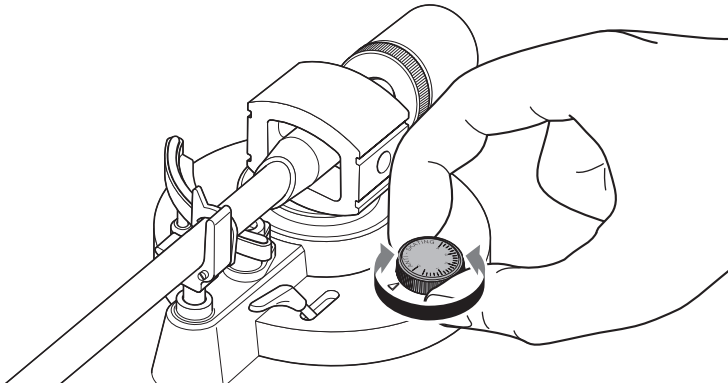
### NOTE

- ◆ Turning the counter weight also turns the counter ring.


## Adjusting the anti-skating

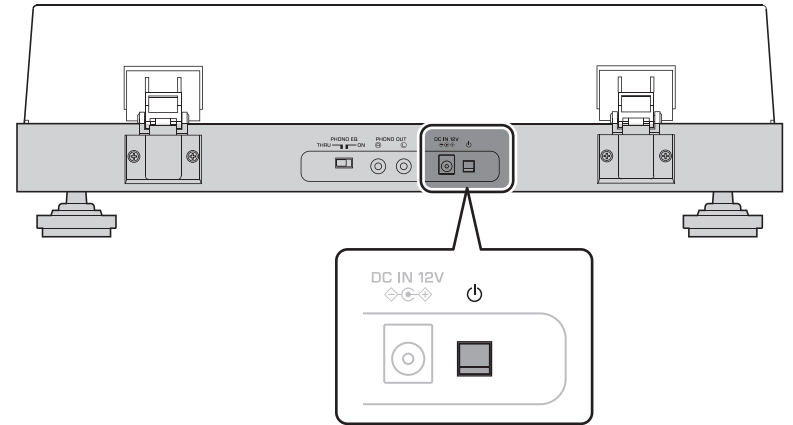
As the platter rotates, the tip of the stylus generates a force that pulls it toward the center of rotation. If the anti-skating value is set to the same value as the stylus pressure, a force is generated that pulls the tip of the stylus outward away from the center of rotation, and the two forces cancel each other.

- 1 Turn the anti-skating adjustment to the same value as the stylus pressure of the cartridge.



## Turning the power on

On the back panel of the unit, press  (power) to turn on the power of the unit.



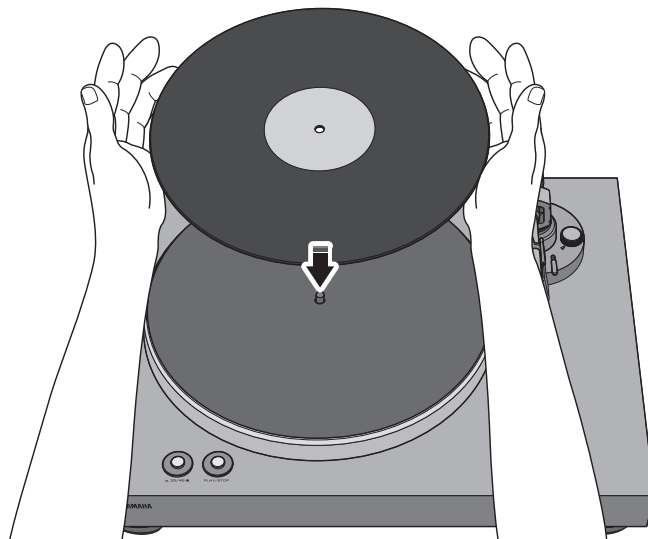
# Playback

## ■ Starting playback

### ⚠ CAUTION

- ◆ If you play back a record without sufficiently lowering the volume of your amplifier, a loud sound might occur when the tip of the stylus contacts the record. This can cause hearing loss and might damage your amplifier and speaker, so be sure to lower the volume of your amplifier.

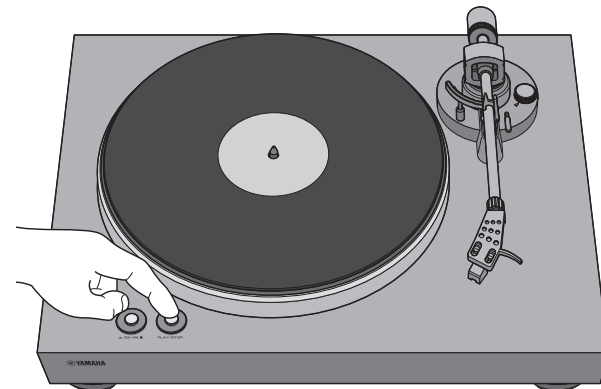
- 1 Open the dust cover, and place the record on the platter.  
If you're playing a 45 rpm record, use the supplied 45 rpm adaptor.



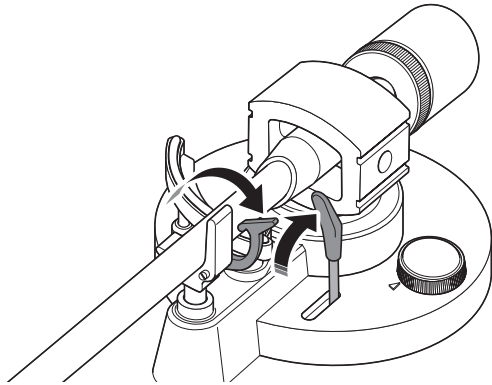
- 2 Press 33/45 (speed) to select the appropriate speed for the record.

 : 33 1/3 rpm       : 45 rpm

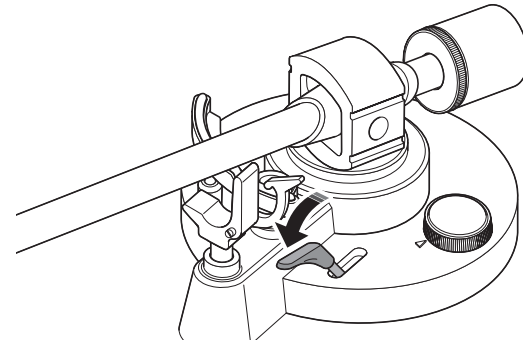
- 3 Press PLAY/STOP (play/stop).  
The platter rotates.



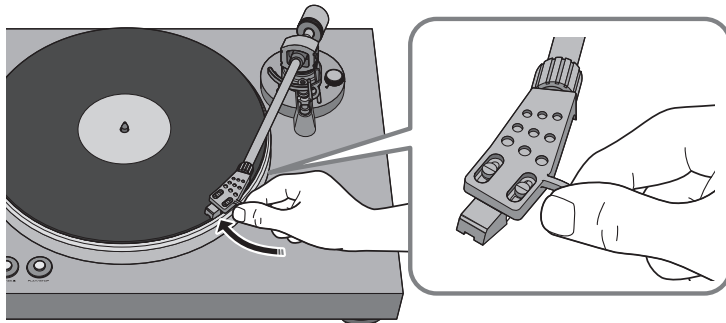
- 4** Release the tone arm lock, and raise the lift lever.



- 6** Lower the lift lever.  
The tone arm is lowered, and playback starts.



- 5** Move the tone arm to the playback position of the record.



## ■ Pausing playback

If you raise the lift lever, the tone arm rises and playback pauses.

When you lower the lift lever, playback resumes.

## ■ Stopping playback

- 1 Raise the lift lever.
- 2 Return the tone arm to the arm rest.
- 3 Lower the lift lever.
- 4 Press **PLAY/STOP** (play/stop).  
The platter stops rotating.
- 5 Lock the tone arm.

### NOTE

- ◆ The tone arm does not automatically rise when the record finishes playing.
- ◆ If you will not be using the unit for a time, attach the cover to the stylus to protect it.

# When necessary

## Care

---

### ■ Caring for this unit

Wipe it with a soft dry cloth. Do not use chemicals such as benzine or thinner, since they might damage the surface.

### ■ Caring for the record stylus

The tip of the record stylus is extremely delicate. Handle it with care so that it is not damaged. If dust should adhere to the tip of the stylus, use a soft pointed brush to wipe it off starting at the base of the stylus and moving toward the tip, or use a commercially available cleaner made for that purpose.

### ■ Caring for records

Dirt adhering to a record can cause skips or noise. Use a commercially available record cleaner to remove dirt.

## Replacement

---

### Replacing the belt

Depending on the conditions of use, the belt can wear out or break. If this occurs, replace the belt. For a replacement belt, contact your nearest authorized Yamaha dealer or service center.

- 1 Turn off the power of this unit and of the connected devices, and disconnect this unit's AC adaptor from the AC outlet.
- 2 Remove the platter sheet from the platter.
- 3 Detach the belt from the pulley.
- 4 Insert your fingers into the round holes of the platter, and lift up the platter.



#### CAUTION

- ◆ Take care not to drop the platter. Dropping it might cause injury, or might damage the unit.

- 5 Turn the platter over, and remove the belt.
- 6 Install the replacement belt on the platter.  
Take care that the belt is not twisted.
- 7 Install the platter on this unit.

For details on installation, refer to "Assembly" on page 12.

## Replacing the record stylus

When the tip of the record stylus becomes worn down or damaged, replace it immediately.

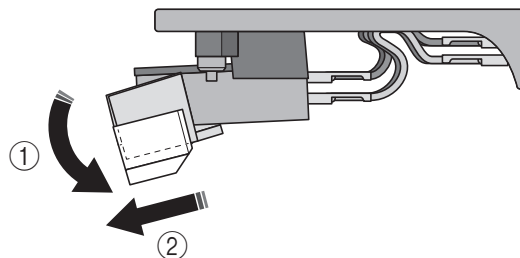
As the replacement stylus, please purchase an ATN3600L replacement stylus made by Audio-Technica.

### ⚠ CAUTION

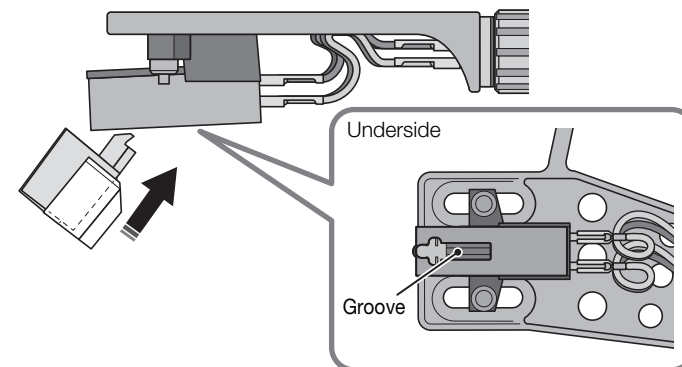
- ◆ Attach the stylus cover before replacing the stylus. The tip of the stylus might injure you, or it might become damaged.
- ◆ Take care that children do not swallow the stylus when it is removed.

1 Turn off the power of this unit and of the connected devices, and disconnect this unit's AC adaptor from the AC outlet.

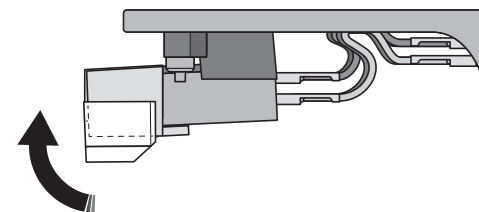
2 While using your fingers to hold the body of the cartridge, press the stylus down in the direction of ①, and pull it in the direction of ② to remove it.



3 While using your fingers to hold the body of the cartridge, insert the tab of the replacement stylus into the groove on the underside of the cartridge.



4 Press the stylus upward until you hear a click.



## Moving this unit

When moving this unit, lock the tone arm so that it does not move.

# Troubleshooting

If the unit stops operating correctly, check the following points.

If taking the appropriate action does not solve the problem, or if there is a problem not listed below, press the ⏻ (power) button located on the unit's back panel to turn off the power, disconnect the power cord, and contact your nearest authorized Yamaha dealer or service center.

Problem	Cause	Action	Reference page
<b>Pressing ⏻ (power) does not turn on the power.</b>	The AC adaptor has come unplugged from this unit's DC IN jack or from the AC outlet, or is not firmly plugged in.	Firmly plug the AC adaptor into this unit's DC IN jack and into an AC outlet.	15
<b>The platter does not rotate.</b>	The belt is not correctly positioned on the platter and pulley, or the belt has come off.	Attach the belt correctly to the platter and the pulley.	12
	⏻(power) is not on.	Turn ⏻(power) on.	18
<b>No sound.</b>	The head shell is not correctly attached to the tone arm.	Attach the head shell correctly to the tone arm.	13
	The RCA stereo cable is not connected correctly.	Connect the RCA stereo cable correctly.	15
	The mute setting of the amplifier is on.	Turn off the mute setting of the amplifier.	–
<b>Volume is too weak or too loud.</b>	The cartridge setting of the amplifier or phono equalizer is incorrect.	Set the cartridge setting of the amplifier or phono equalizer correctly for the type of cartridge that you're using (MM or MC).	–
	The PHONO EQ switch is set incorrectly.	Set the PHONO EQ switch correctly for the device that is connected.	15
<b>Something is wrong with the left/right balance of the sound.</b>	The turntable is tilted.	Place the turntable on a level location.	–
<b>Playback speed is wrong.</b>	The speed setting is incorrect.	Set the 33/45 (speed) setting correctly. This unit does not support playback of SP records (78 rpm).	19
<b>Hum is audible.</b>	The RCA stereo cable is not connected correctly.	Connect the RCA stereo cable correctly.	15
	The head shell is not firmly secured to the tone arm.	Use the lock nut to firmly secure the head shell to the tone arm.	13



Problem	Cause	Action	Reference page
<b>Skips occur.</b> <b>Noise occurs.</b> <b>The sound is distorted.</b>	The stylus pressure is not adjusted correctly.	Set the counter weight markings to the stylus pressure specified for the cartridge.	16
	The record is scratched or warped.	Do not use scratched or warped records.	-
	The record is dirty.	Use a commercially available record cleaner to clean the record.	-
	The record is statically charged.	Use an anti-static brush to remove the static charge.	-
	The stylus is dirty.	Remove the dirt from the stylus.	22
	The stylus is worn down.	Replace the stylus.	23
<b>Feedback occurs.</b>	The unit is placed in a location that is subject to vibration.	Place the unit in a level location that is not subject to vibration.	-
	The unit is too close to the speakers.	Locate the unit farther away from the speakers.	-
	The playback volume is too high.	Adjust the volume of the amplifier.	-

# Specifications

---

The specifications of this unit are as follows.

## Platter section

Drive method . . . . .	Belt drive
Motor . . . . .	DC motor
Rotation Speed . . . . .	33 1/3 rpm, 45 rpm
Rotation Speed Variation . . . . .	±2%
Wow and flutter . . . . .	.0.2%
Platter . . . . .	Aluminium die-casting Diameter 30 cm

## Tone arm section

Type . . . . .	Static balance straight tone arm
Effective arm length . . . . .	.223.5 mm
Stylus pressure adjustment range . . . . .	0–4 g
Acceptable cartridge weight . . . . .	15.5–19 g (including head shell)
Overhang . . . . .	19 mm

## Cartridge section

Type . . . . .	MM type
Output voltage . . . . .	2.5 mV (1 kHz, 3.54 cm/sec)
Stylus pressure . . . . .	.3.5 ±0.5 g
Cartridge weight . . . . .	.5.0 ±0.3 g
Cartridge Height . . . . .	.17.0 ±0.7 mm
Head shell weight . . . . .	10 g (including screws, nuts, and wires)

## Audio section

Output level	
PHONO EQ THRU (1 kHz, 3.54 cm/sec) . . . . .	2.5 mV ±3 dBV
PHONO EQ ON . . . . .	140 mV (–17 dBV)
Signal to Noise Ratio (A-weighted, 20 kHz LPF) . . . . .	67 dB or higher
Output jack . . . . .	PHONO OUT × 1 (RCA unbalanced)

## General

AC adaptor power supply	
Input . . . . .	AC 100–240 V 50/60 Hz
Output . . . . .	12 V 0.5 A
Power consumption	
While powered on . . . . .	.1.5 W
While powered off . . . . .	.0.1 W
Weight . . . . .	.4.8 kg / 10.6 lbs
Dimensions (width × height × depth) . . . . .	.450 × 136 × 368 mm
. . . . .	.17-3/4" × 5-3/8" × 14-1/2"
(including legs and protrusions)	

- ◆ The contents of this manual apply to the latest specifications as of the publishing date. To obtain the latest manual, access the Yamaha website then download the manual file.

# CONSIGNES DE SÉCURITÉ À LIRE ATTENTIVEMENT

Ce produit est conçu pour l'écoute de sources audio dans le cadre domestique.

- 1 Lisez les instructions ci-après.
- 2 Conservez ces instructions.
- 3 Tenez compte des avertissements.
- 4 Suivez toutes les instructions.
- 5 **N'utilisez pas cet instrument dans un milieu humide.**
- 6 Employez uniquement un chiffon sec pour nettoyer l'instrument.
- 7 **N'obstruez pas les ouvertures prévues pour la ventilation. Installez l'instrument conformément aux instructions du fabricant.**
- 8 **N'installez pas l'instrument près d'une source de chaleur, notamment un radiateur, une bouche de chaleur, un poêle ou autres (y compris les amplificateurs).**
- 9 **Ne modifiez pas les caractéristiques de la fiche avec mise à la terre polarisée. Une fiche polarisée est dotée de deux broches (l'une est plus large que l'autre). Une fiche avec mise à la terre comprend deux broches, ainsi qu'une troisième qui relie l'instrument à la terre. La broche la plus large (ou troisième broche) permet de sécuriser l'installation électrique. Si vous ne pouvez pas brancher le cordon d'alimentation dans la prise d'alimentation, demandez à un électricien de la remplacer.**
- 10 **Protégez le cordon d'alimentation. Cela permet d'éviter de marcher dessus ou de le tordre au niveau de la fiche, de la prise d'alimentation et des points de contact sur l'instrument.**
- 11 **N'employez que les dispositifs/accessoires indiqués par le fabricant.**
- 12 **Utilisez uniquement le chariot, le socle, le trépied, le support ou le plan indiqués par le fabricant ou livrés avec l'instrument. Si vous utilisez un chariot, soyez prudent si vous le déplacez avec l'instrument posé dessus pour éviter de le renverser.**
- 13 **Débranchez l'instrument en cas d'orage ou lorsque vous ne l'utilisez pas pendant des périodes prolongées.**
- 14 **Confiez toutes les réparations à des techniciens qualifiés. Des réparations sont nécessaires lorsque l'instrument est endommagé, notamment dans les cas suivants : cordon d'alimentation ou fiche défectueuse, liquides ou objets projetés sur l'appareil, exposition aux intempéries ou à l'humidité, fonctionnement anormal ou chute.**



## AVERTISSEMENT

N'UTILISEZ PAS L'INSTRUMENT SOUS LA PLUIE OU DANS UN ENVIRONNEMENT HUMIDE, FAUTE DE QUOI VOUS RISQUEZ DE PROVOQUER UN INCENDIE OU DE VOUS ÉLECTROCUTER.

(UL60065\_03)

CAN ICES-3 (B)/NMB-3(B)

(can\_b\_02)

# PRÉCAUTIONS D'USAGE

**LISEZ ATTENTIVEMENT AVANT DE PROCÉDER À TOUTE UTILISATION. VEILLEZ À SUIVRE CES INSTRUCTIONS.**

**Les mises en garde énumérées ci-dessous sont destinées à prévenir les risques pour l'utilisateur et les tiers, à éviter les dommages matériels et à aider l'utilisateur à se servir de l'appareil correctement et en toute sécurité.**

**Assurez-vous de suivre ces instructions.**

Après avoir consulté ce manuel, conservez-le dans un endroit sûr de façon à pouvoir vous y reporter facilement.

- Veillez à faire inspecter ou réparer l'appareil par le revendeur auprès duquel vous l'avez acheté ou par un technicien Yamaha qualifié.
- Yamaha ne peut être tenu responsable des dommages corporels et matériels causés par une mauvaise manipulation de l'instrument ou par des modifications apportées à l'appareil.
- Ce produit est conçu pour un usage courant dans les résidences standard. Ne l'utilisez pas pour des applications nécessitant une haute fiabilité, telles que la gestion des gestes essentiels à la vie, des soins de santé ou des biens de grande valeur.



## **AVERTISSEMENT**

**Ce contenu indique « un risque de blessures graves ou de mort ».**

### **Alimentation/adaptateur secteur**

- Ne faites rien qui pourrait endommager le cordon d'alimentation.
  - Ne le placez pas à proximité d'un radiateur.
  - Évitez de le plier excessivement ou de le modifier.
  - Évitez de l'érafler.
  - Ne placez pas dessus d'objets lourds.L'utilisation du cordon d'alimentation en ayant le conducteur du cordon exposé pourrait provoquer des chocs électriques ou un incendie.
- En cas de risque d'impact de foudre à proximité de l'appareil, évitez de toucher la fiche d'alimentation. Le non-respect de cette consigne peut entraîner des chocs électriques.
- Assurez-vous d'utiliser l'appareil avec la tension d'alimentation appropriée, telle qu'imprimée sur l'appareil. L'absence de raccordement à une prise secteur appropriée pourrait provoquer un incendie, des chocs électriques ou des dysfonctionnements.
- Veillez à utiliser l'adaptateur secteur fourni. Le non-respect de cette consigne peut entraîner un incendie, des brûlures ou des dysfonctionnements.
- Vérifiez périodiquement l'état de la prise électrique, dépoussiérez-la et nettoyez-la en prenant soin de retirer toutes les impuretés qui pourraient s'y accumuler. Le non-respect de cette consigne peut entraîner un incendie ou des chocs électriques.
- Lors de l'installation de l'appareil, assurez-vous que la prise secteur que vous utilisez est facilement accessible. En cas de problème ou de

dysfonctionnement, désactivez immédiatement l'interrupteur d'alimentation et retirez la fiche de la prise secteur. Même lorsque l'interrupteur d'alimentation est en position désactivée, l'appareil n'est pas déconnecté de la source d'électricité tant que le cordon d'alimentation reste branché à la prise murale.

- Si vous entendez le tonnerre gronder ou suspectez l'imminence d'un éclair, mettez immédiatement l'appareil hors tension et débranchez la fiche d'alimentation de la prise secteur. Le non-respect de cette consigne peut entraîner un incendie ou des dysfonctionnements.
- Si vous prévoyez de ne pas utiliser l'appareil pendant une longue période de temps, assurez-vous de retirer la fiche d'alimentation de la prise secteur. Le non-respect de cette consigne peut entraîner un incendie ou des dysfonctionnements.

### **Démontage interdit**

- Ne tentez pas de démonter ou de modifier l'appareil. Le non-respect de cette procédure risque d'entraîner un incendie, des chocs électriques, des blessures ou des dysfonctionnements. En cas d'anomalie, veillez à faire inspecter ou réparer l'appareil par le revendeur auprès duquel vous l'avez acheté ou par un technicien Yamaha qualifié.

### **Avertissement relatif à la présence d'eau**

- N'exposez pas l'appareil à la pluie, ne l'utilisez pas près d'une source d'eau ou dans un milieu humide et ne déposez pas dessus des récipients (tels que des vases, des bouteilles ou des verres) contenant des liquides qui risqueraient de

s'infiltrer par les ouvertures ou de dégouliner. Toute infiltration de liquide tel que de l'eau à l'intérieur de l'appareil risque de provoquer un incendie, des chocs électriques ou des dysfonctionnements. Si un liquide, tel que de l'eau, pénètre à l'intérieur de l'appareil, mettez immédiatement ce dernier hors tension et débranchez le cordon d'alimentation de la prise secteur. Faites ensuite inspecter l'appareil par le revendeur auprès duquel vous l'avez acheté ou par un technicien Yamaha qualifié.

- N'essayez jamais de retirer ou d'insérer une fiche électrique avec les mains mouillées. Ne manipulez pas l'appareil en ayant les mains mouillées. Le non-respect de cette procédure risque d'entraîner des chocs électriques ou des dysfonctionnements.

## Prévention contre les incendies

- Ne placez pas d'objets brûlants ou de flammes nues à proximité de l'appareil, au risque de provoquer un incendie.

## En cas d'anomalie

- Si l'un des problèmes suivants se produit, coupez immédiatement l'alimentation et retirez la fiche d'alimentation.
    - Le cordon/la fiche d'alimentation est endommagé(e).
    - Une odeur inhabituelle ou de la fumée se dégage de l'appareil.
    - Un corps étranger a pénétré à l'intérieur de l'appareil.
    - L'appareil est fissuré ou endommagé.
- En continuant d'utiliser l'appareil dans ces conditions, vous risquez de provoquer des chocs électriques, un incendie ou des dysfonctionnements. Faites immédiatement inspecter ou réparer l'appareil par le revendeur auprès duquel vous l'avez acheté ou par un technicien Yamaha qualifié.

- Veillez à ne pas faire tomber l'appareil ni son adaptateur secteur et à ne pas leur appliquer une pression excessive. Si vous suspectez que l'appareil a pu être endommagé à la suite d'une chute ou d'un impact, coupez immédiatement l'alimentation et retirez la fiche de la prise secteur. Le non-respect de cette procédure risque d'entraîner des chocs électriques, un incendie ou des dysfonctionnements. Faites immédiatement inspecter l'appareil par le revendeur auprès duquel vous l'avez acheté ou par un technicien Yamaha qualifié.



## ATTENTION

Ce contenu indique « un risque de blessures ».

## Alimentation/adaptateur secteur

- Ne couvrez pas et n'entourez pas l'adaptateur secteur avec un chiffon ou une couverture. Le non-respect de cette consigne peut provoquer la formation de chaleur à l'intérieur de l'appareil et cause une déformation en cas d'incendie.
- N'utilisez pas une prise secteur dans laquelle la fiche d'alimentation ne peut pas s'insérer fermement. Le non-respect de cette consigne peut entraîner un incendie, des chocs électriques ou des brûlures.
- Veillez à toujours saisir la fiche elle-même, et non le câble, pour la retirer de l'appareil ou de la prise secteur. Si vous tirez sur le cordon, vous risquez de l'endommager et de provoquer des chocs électriques ou un incendie.
- Introduisez complètement la fiche d'alimentation dans la prise secteur. L'utilisation de l'appareil alors que la fiche d'alimentation n'est pas complètement insérée dans la prise peut entraîner une accumulation de poussière sur la fiche et provoquer un incendie ou des brûlures.

## Installation

- Ne placez pas l'appareil dans une position instable afin d'éviter qu'il ne tombe ou se renverse accidentellement et ne provoque des blessures.
- Veillez à ce que la face supérieure soit orientée vers le haut. Le non-respect de cette consigne peut causer des dysfonctionnements ou entraîner la chute de l'appareil et causer des blessures.
- N'installez pas l'appareil dans des endroits où il pourrait entrer en contact avec des gaz corrosifs ou de l'air à haute teneur en sel, ou encore des endroits exposés à une fumée ou une vapeur excessive. Cela pourrait provoquer des dysfonctionnements.
- Évitez d'être à proximité de l'appareil lors de la survenue d'une catastrophe naturelle telle qu'un tremblement de terre. Compte tenu du risque de renversement ou de chute de l'appareil pouvant entraîner des blessures, pensez à vous éloigner rapidement de l'appareil et à vous réfugier dans un lieu sûr.
- Avant de déplacer l'appareil, veillez à désactiver l'interrupteur d'alimentation et à déconnecter tous les câbles de connexion. Le non-respect de cette consigne peut entraîner l'endommagement des câbles ou provoquer le trébuchement et la chute de l'utilisateur ou d'autres personnes.

## Perte de capacités auditives

- Avant de raccorder l'unité à d'autres appareils, mettez tous les appareils concernés hors tension. Le non-respect de ces mesures peut provoquer une perte d'acuité auditive, entraîner un risque d'électrocution ou endommager l'appareil.
- Lorsque vous mettez le système audio sous tension, allumez toujours l'amplificateur ou le récepteur en DERNIER pour éviter d'endommager votre ouïe et les haut-parleurs. Lors de la mise hors tension, vous devez éteindre l'amplificateur ou le récepteur en PREMIER pour la même raison. Le non-respect des consignes

précédentes risque d'entraîner une déficience auditive ou d'endommager le casque.

## Entretien

- Retirez la fiche d'alimentation de la prise secteur avant de procéder au nettoyage de l'appareil. Le non-respect de cette consigne peut entraîner des chocs électriques.

## Précautions d'utilisation

- Conservez les petites pièces hors de portée des enfants en bas âge. Vos enfants risquent de les avaler accidentellement.
- Évitez de faire ce qui suit :
  - vous mettre debout ou vous assoir sur l'appareil.
  - placer des objets lourds sur l'appareil.
  - disposer l'appareil en pile.
  - appliquer une force excessive sur les boutons, les commutateurs, les bornes d'entrée/sortie, etc.
  - vous appuyer sur l'appareil.
- Évitez de débrancher les câbles connectés afin de ne pas causer de blessures ou de dommages matériels qui pourraient résulter de la chute de l'appareil.

## Avis

**Indique les points que vous devez respecter afin d'éviter toute défaillance, dommage ou dysfonctionnement du produit.**

## Alimentation/adaptateur secteur

- Si vous prévoyez de ne pas utiliser l'appareil pendant une longue période de temps, assurez-vous de retirer le cordon d'alimentation de la prise secteur. Une quantité infime de courant circule toujours dans l'appareil même après sa mise hors tension (en mode veille).

## Installation

- N'utilisez pas l'appareil à proximité d'autres équipements électroniques, tels qu'un téléviseur, une radio ou un téléphone mobile. Si vous ne respectez pas cette consigne, l'appareil, le téléviseur ou la radio risquent de provoquer des interférences.
- N'utilisez pas l'appareil dans un emplacement exposé à la lumière directe du soleil, à une température très élevée (à proximité d'un appareil de chauffage) ou très basse, à un dépôt de poussière excessif ou à de fortes vibrations. Le non-respect de cette consigne peut entraîner la déformation du panneau de l'appareil, le dysfonctionnement de ses composants internes ou l'instabilité de ses opérations.

## Raccordements

- En cas de connexion d'unités externes, assurez-vous de lire attentivement le mode d'emploi de l'appareil concerné et reliez-le conformément aux instructions fournies.  
La non-conformité aux instructions de manipulation peut provoquer le dysfonctionnement de l'appareil.

## Manipulation

- Ne placez pas de produits en plastique ou en caoutchouc sur l'appareil. Le non-respect de cette consigne peut provoquer une décoloration ou une déformation du panneau de cet appareil.
- Si la température ambiante change radicalement (comme pendant le transport de l'appareil ou dans des conditions de surchauffe ou de refroidissement rapides) et que de la condensation se forme dans l'appareil, laissez-le hors tension pendant plusieurs heures jusqu'à ce qu'il soit complètement sec avant de le réutiliser. L'utilisation de l'appareil en cas de formation de condensation peut entraîner son dysfonctionnement.

## Entretien

- Si la température ou le degré d'humidité change radicalement, des gouttelettes d'eau (de la condensation) pourrait se former sur la surface de l'appareil. En cas de formation de condensation, essuyez immédiatement la surface de l'appareil avec un chiffon doux et sec. Si la condensation n'est pas éliminée de la surface de l'appareil, elle risque d'être absorbée par les composants en bois, causant leur déformation.
- Utilisez un chiffon doux et sec pour le nettoyage de l'appareil. L'utilisation de produits chimiques tels que de la benzène ou du diluant, de produits d'entretien ou de chiffons de lavage chimique peut causer la décoloration ou la déformation de l'appareil.

## Informations

### À propos du contenu de ce manuel

- Les illustrations figurant dans ce manuel servent uniquement à expliciter les instructions.
- Les noms de société et les noms de produit mentionnés dans ce manuel sont des marques commerciales ou des marques déposées de leurs sociétés respectives.

### ■ À propos du nom de l'appareil

Le numéro de modèle, le numéro de série, l'alimentation requise, etc., se trouvent sur ou près de la plaque signalétique du produit, située dans la partie inférieure de l'unité. Notez le numéro de série dans l'espace fourni ci-dessous et conservez ce manuel en tant que preuve permanente de votre achat afin de faciliter l'identification du produit en cas de vol.

N° de modèle

N° de série



# Table des matières

## **Prise en main 6**

---

Caractéristiques de cette unité . . . . .	6
À propos de ce manuel . . . . .	6
Vérification du contenu . . . . .	7
Manipulation des disques vinyle . . . . .	7
<b>Fonctions et éléments de l'unité . . . . .</b>	<b>8</b>
Panneau supérieur . . . . .	8
Panneau arrière . . . . .	9

## **Préparatifs 10**

---

<b>Emplacement . . . . .</b>	<b>10</b>
<b>Montage . . . . .</b>	<b>10</b>
Montage de l'unité . . . . .	10
Montage du capot . . . . .	12
<b>Effectuer les connexions . . . . .</b>	<b>13</b>
<b>Effectuer les réglages . . . . .</b>	<b>14</b>
Réglage de la pression du diamant . . . . .	14
Réglage du dispositif anti-skating . . . . .	16
<b>Mise sous tension . . . . .</b>	<b>16</b>

## **Lecture 17**

---

### **En cas de nécessité 20**

---

Soin et entretien . . . . .	20
<b>Remplacement de pièces . . . . .</b>	<b>20</b>
Remplacement de la courroie . . . . .	20
Remplacement du diamant . . . . .	21
<b>Déplacement de l'unité . . . . .</b>	<b>21</b>
<b>Résolution des problèmes . . . . .</b>	<b>22</b>
<b>Caractéristiques techniques . . . . .</b>	<b>24</b>



# Prise en main

## Caractéristiques de cette unité

---





Cette unité est une platine pour la lecture de disques vinyle.

- **Meuble en bois de finition brillante**  
Outre son côté esthétique, ce meuble présente de réels avantages tels qu'une stabilité et un amortissement des vibrations supérieurs.
- **Le bras de lecture droit et extrêmement rigide élimine tout effet sur le signal sonore délicat.**
- **Commutation facile entre sortie LINE dotée d'un circuit de préampli phono (PHONO EQ) et sortie directe PHONO, pour une flexibilité de configuration de votre système de lecture de disques vinyle.**
- **Excellente stabilité de rotation obtenue par l'adoption d'un plateau en aluminium coulé entraîné par courroie via un moteur électrique de couple élevé.**
- **La marge de réinjection est préservée grâce à des pieds (isolants) assurant un excellent amortissement des vibrations et chocs.**

## À propos de ce manuel

---

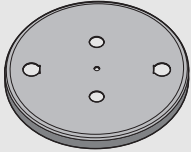
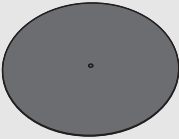
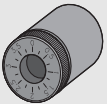
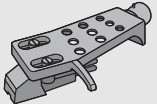
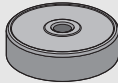
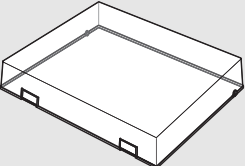
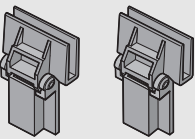
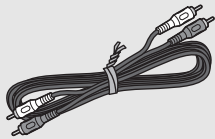
Veillez garder les points suivants à l'esprit quand vous lisez ce manuel.

- ◆ Les spécifications techniques et l'aspect du produit peuvent être modifiés sans préavis en vue d'améliorations du produit.
- ◆ Description des symboles graphiques utilisés dans ce mode d'emploi :
  - «  **AVERTISSEMENT** » indique des consignes que vous devez observer pour éviter les risques de décès ou de blessures graves.
  - «  **ATTENTION** » indique des consignes que vous devez observer pour éviter les risques de blessures.
  -  **AVIS** indique des consignes que vous devez observer pour éviter d'endommager le produit ou de causer un fonctionnement incorrect.
  -  **NOTE** indique des informations complémentaires qui vous seront utiles.



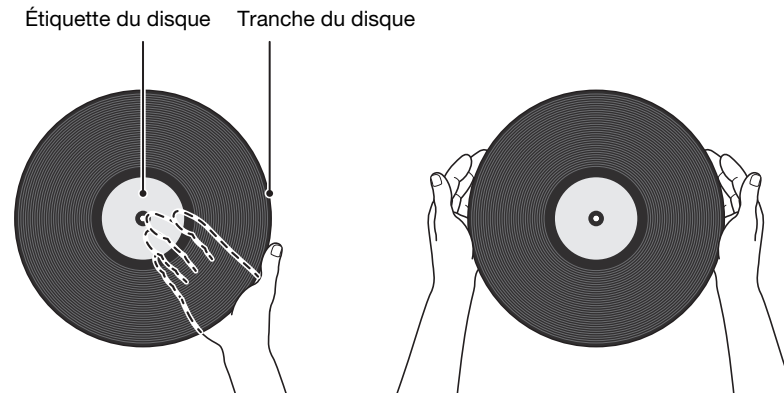
## Vérification du contenu

Assurez-vous que l'emballage contient tous les éléments suivants.

<input type="checkbox"/> <b>Plateau x1</b> 	<input type="checkbox"/> <b>Couvre-plateau x1</b> 	<input type="checkbox"/> <b>Courroie x1</b> * La courroie est installée sur le plateau.
<input type="checkbox"/> <b>Contrepoids x1</b> 	<input type="checkbox"/> <b>Porte-cellule x1 (avec cellule)</b> 	<input type="checkbox"/> <b>Adaptateur centreur 45 tours x1</b> 
<input type="checkbox"/> <b>Capot x1</b> 	<input type="checkbox"/> <b>Charnière de capot x2</b> 	<input type="checkbox"/> <b>Câble stéréo RCA/ Cinch x1</b> 
<input type="checkbox"/> <b>Adaptateur secteur x1</b> * Pour des détails, voyez le « Complément d'informations » fourni.	<input type="checkbox"/> <b>Mode d'emploi (ce manuel)</b> <input type="checkbox"/> <b>Complément d'informations (dépliant)</b>	

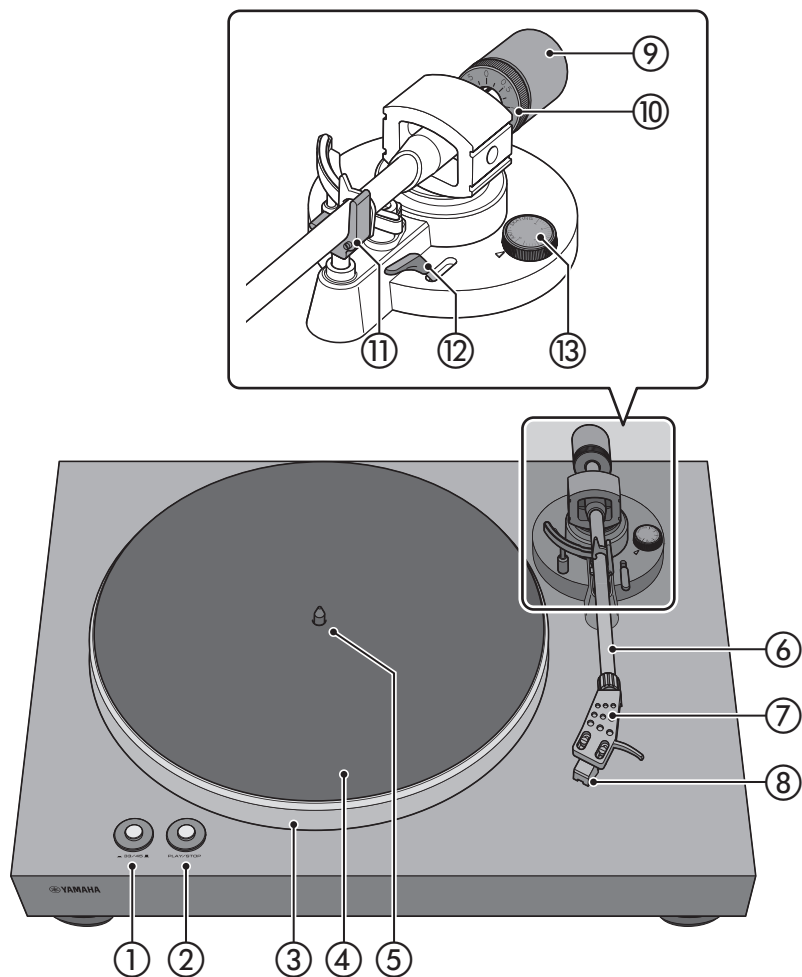
## Manipulation des disques vinyle

Pour manipuler un disque vinyle, saisissez-le en posant le pouce contre sa tranche et les autres doigts de la même main sur son étiquette, ou tenez le disque en maintenant sa tranche des deux mains.



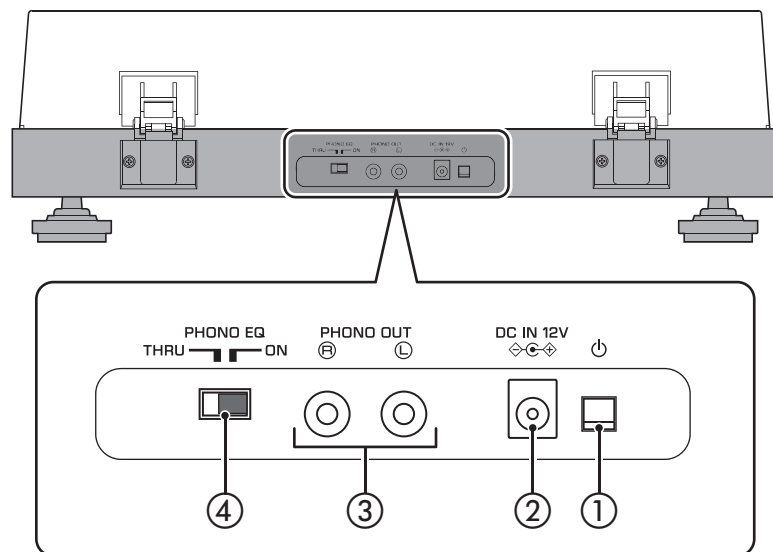
# Fonctions et éléments de l'unité

## Panneau supérieur



- ① 33/45 (tours) (⇒ page 17)
- ② PLAY/STOP (lecture/arrêt) (⇒ page 17)
- ③ Plateau (⇒ page 10)
- ④ Couvre-plateau (⇒ page 11)
- ⑤ Axe de plateau (⇒ page 10)
- ⑥ Bras de lecture (⇒ page 11)
- ⑦ Porte-cellule (⇒ page 11)
- ⑧ Cellule
- ⑨ Contrepoids (⇒ page 11)
- ⑩ Bague graduée du contreponds (⇒ page 15)
- ⑪ Repose-bras (⇒ page 14)
- ⑫ Lève-bras (⇒ page 18)
- ⑬ Dispositif anti-skating (⇒ page 16)

## Panneau arrière



### ① **⏻ (alimentation)**

Ce bouton met l'unité sous/hors tension. (⇒ page 16)

 : sous tension     : hors tension

### ② **Prise DC IN**

Réliez l'adaptateur secteur (fourni) à cette prise. (⇒ page 13)

### ③ **Prises PHONO OUT**

Ces prises restituent le signal audio du disque vinyle. (⇒ page 13)

### ④ **Sélecteur PHONO EQ (préampli phono)**

Régalez ce sélecteur sur la position correspondant au signal approprié restitué via les prises PHONO OUT à l'appareil connecté. (⇒ page 13)

# Préparatifs

## Emplacement

Vu que les vibrations affectent facilement la lecture de disques vinyle, veillez à poser cette unité sur une surface de niveau et à l'abri de toute vibration. Positionnez l'unité suffisamment à l'écart des enceintes afin d'éviter que la pression sonore ou des vibrations n'affectent la lecture.

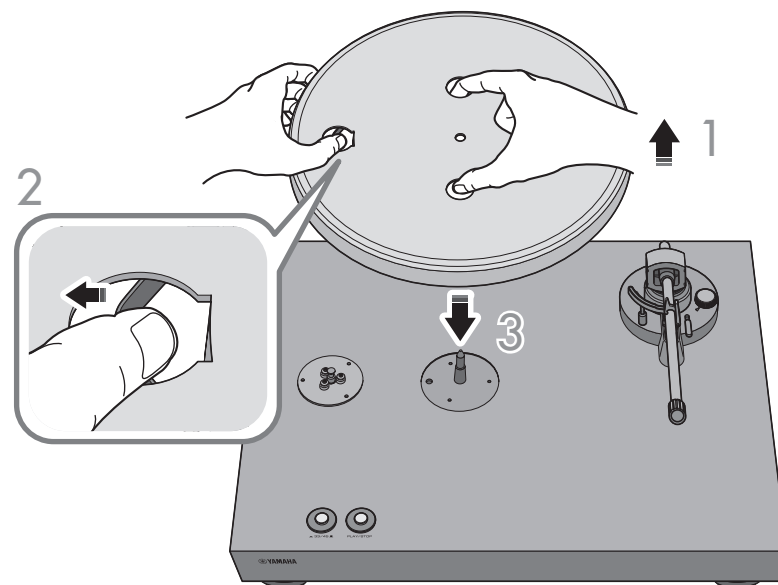
## Montage

### Montage de l'unité

- 1 Levez le plateau.
- 2 Insérez un doigt dans l'ouverture circulaire du plateau et poussez la courroie vers l'extérieur du plateau avec ce doigt.
- 3 Glissez le plateau sur l'axe de plateau.

#### ATTENTION

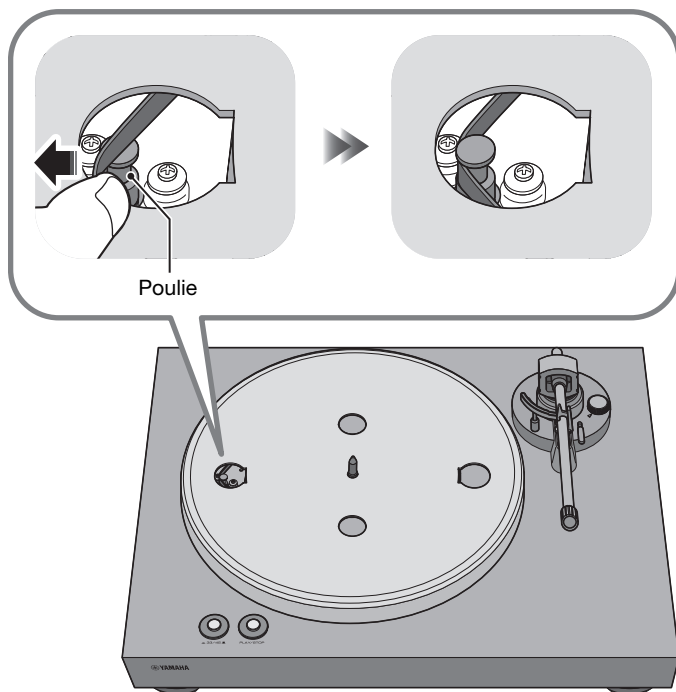
- ◆ Veillez à ne pas lâcher le plateau. Cela pourrait causer des blessures ou endommager l'unité.



**4** Alignez l'orifice circulaire du plateau avec la poulie.

**5** Mettez la courroie en place sur la poulie avec le doigt la maintenant tendue.

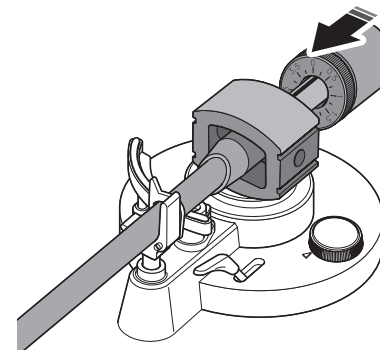
Veillez à ne pas tordre la courroie. Après avoir accroché la courroie sur la poulie, tournez plusieurs fois le plateau pour vérifier qu'elle est parfaitement en place.



**6** Posez le couvre-plateau sur le plateau.

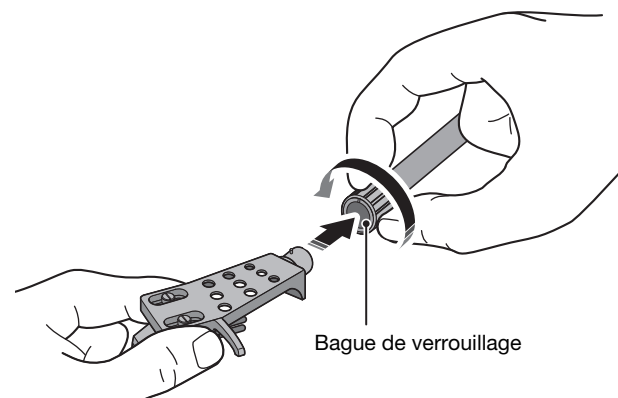
**7** Montez le contrepoids sur le bras de lecture.

Positionnez les repères du contrepoids vers vous et glissez le contrepoids sur l'arrière du bras de lecture.



**8** Montez le porte-cellule sur le bras de lecture.

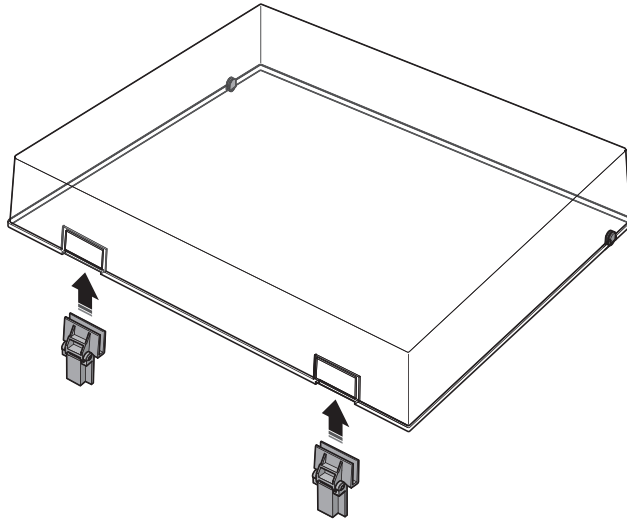
Insérez le porte-cellule sur l'extrémité avant du bras de lecture et tournez la bague de verrouillage pour bloquer le porte-cellule.



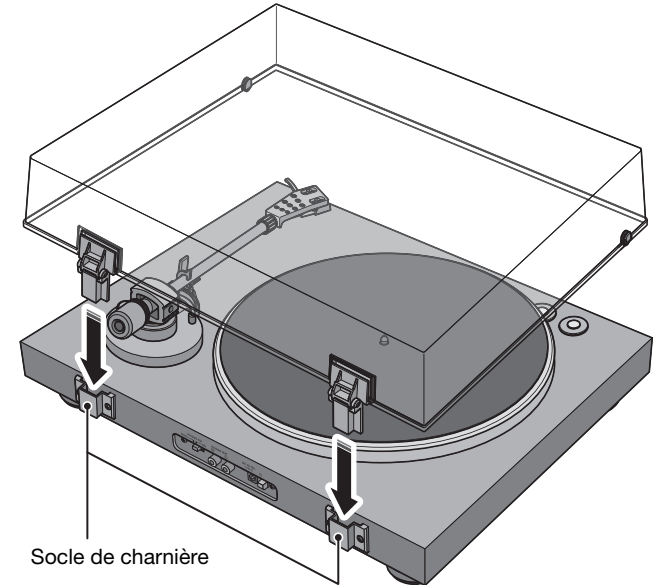
## Montage du capot

Le capot protège l'unité contre la poussière, etc.

- 1 Insérez les charnières aux emplacements appropriés des deux côtés du capot.



- 2 Montez le capot en insérant les charnières dans les socles de charnière au dos de l'unité.



### NOTE

- ◆ Pour retirer le capot, saisissez-le des deux côtés et tirez-le lentement vers le haut afin de déposer le capot et ses charnières.



### ATTENTION

- ◆ Veillez à ne pas vous pincer les mains ou les doigts lorsque vous ouvrez et fermez le capot.

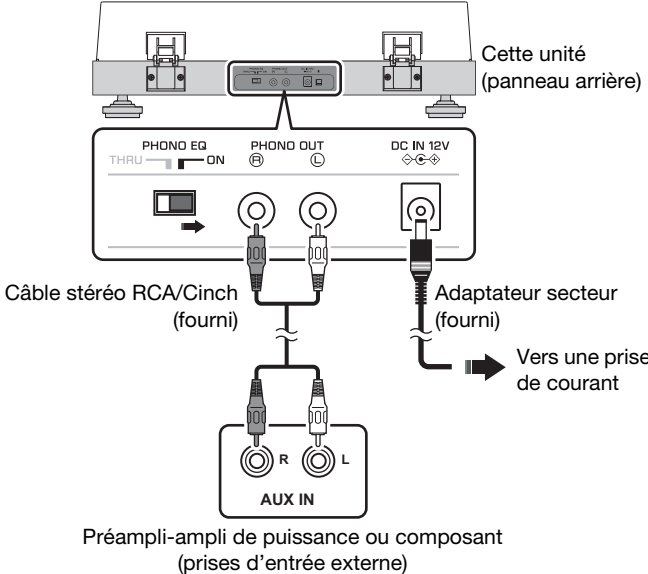
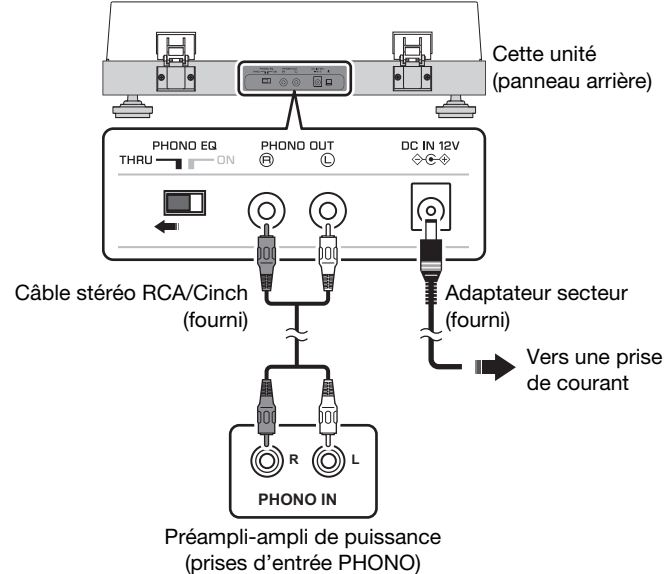
# Effectuer les connexions

## ATTENTION

- ◆ Effectuez toutes les autres connexions avant de brancher l'adaptateur secteur (fourni) à une prise de courant.

## NOTE

- ◆ Consultez en outre le mode d'emploi de l'appareil que vous connectez.

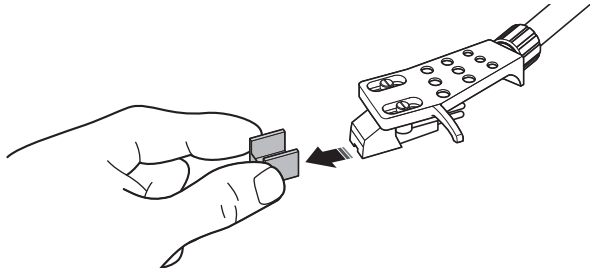
<p><b>Appareils connectés</b></p>	<ul style="list-style-type: none"> <li>• Appareils ne disposant pas de prises d'entrée PHONO</li> </ul>  <p>Cette unité (panneau arrière)</p> <p>Câble stéréo RCA/Cinch (fourni)</p> <p>Adaptateur secteur (fourni)</p> <p>Vers une prise de courant</p> <p>Préampli-ampli de puissance ou composant (prises d'entrée externe)</p>	<ul style="list-style-type: none"> <li>• Appareils dotés de prises d'entrée PHONO</li> </ul>  <p>Cette unité (panneau arrière)</p> <p>Câble stéréo RCA/Cinch (fourni)</p> <p>Adaptateur secteur (fourni)</p> <p>Vers une prise de courant</p> <p>Préampli-ampli de puissance (prises d'entrée PHONO)</p>
<p><b>Réglage du sélecteur PHONO EQ</b></p>	<p><b>ON (par défaut)</b></p>	<p><b>THRU</b></p>
<p><b>Fonction de préampli phono de cette unité</b></p>	<p><b>Activée</b></p> <p>Le signal de la cellule est amplifié par le préampli phono intégré à cette unité et restitué par les prises PHONO OUT.</p>	<p><b>Désactivée</b></p> <p>Le signal de la cellule est directement restitué par les prises PHONO OUT.</p>

# Effectuer les réglages

## Réglage de la pression du diamant

Réglez le bras de lecture de sorte que la pression du diamant sur le disque vinyle soit appropriée.

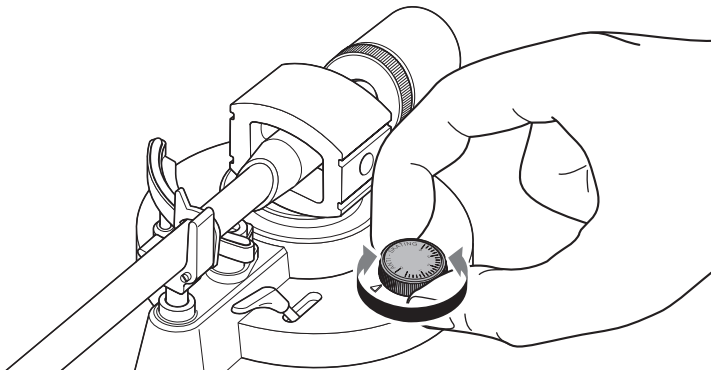
1 Retirez le cache du diamant.



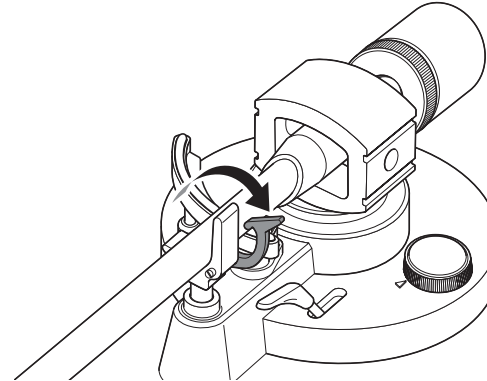
### AVIS

- ◆ Veillez à ce que le cache du diamant ou vos doigts n'entrent pas en contact avec le diamant.

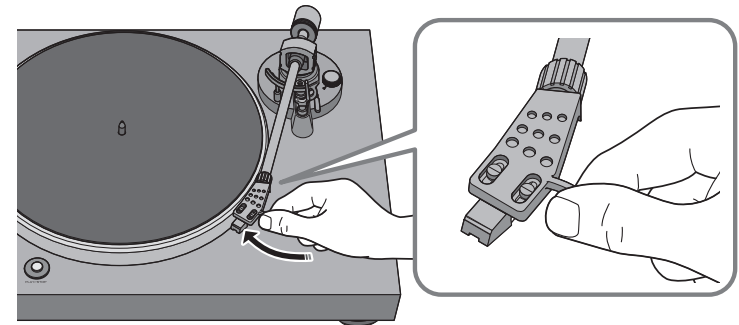
2 Réglez le dispositif d'anti-skating sur la position « 0 ».



3 Désengagez le verrou du bras de lecture.



4 Levez le bras de lecture du repose-bras et poussez le bras légèrement à gauche.



### AVIS

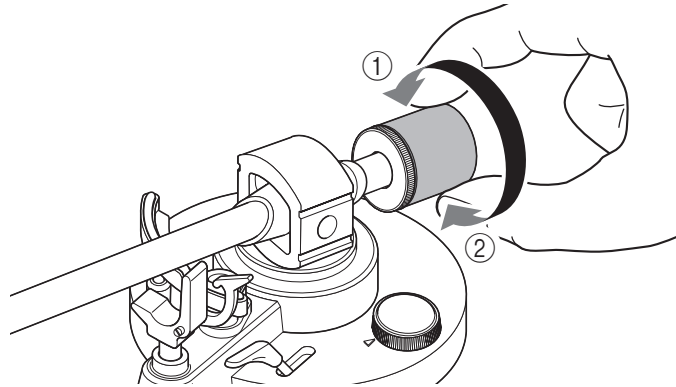
- ◆ Veillez à ce que le diamant n'entre en contact avec aucune partie de l'unité.



## 5 Tournez le contrepois de sorte que le bras de lecture soit en position horizontale.

Vers ① : Le contrepois se déplace vers l'avant du bras de lecture.

Vers ② : Le contrepois se déplace vers l'arrière du bras de lecture.



**Correct**



Le bras de lecture est en position horizontale (équilibré)

**Incorrect**



Le contrepois est trop en avant

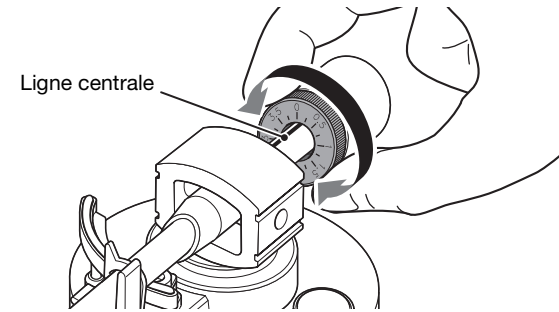
**Incorrect**



Le contrepois est trop en arrière

## 6 Remplacez le bras de lecture sur le repose-bras et engagez son verrou.

## 7 Tournez la bague graduée du contrepois de sorte que le repère «0» soit aligné avec la ligne centrale sur l'extrémité arrière du bras de lecture.

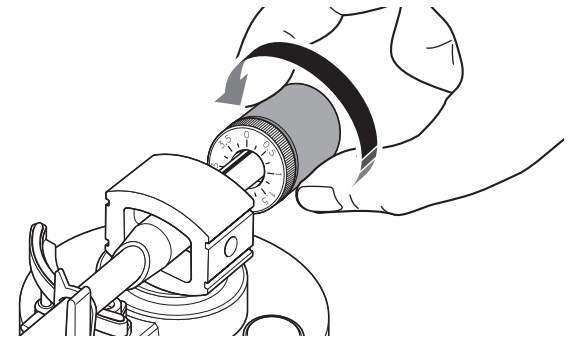


### NOTE

- ◆ Quand vous tournez la bague graduée, maintenez le contrepois en place des doigts de sorte qu'il ne tourne pas.

## 8 Veillez à régler le contrepois sur le repère correspondant à la pression appropriée pour la cellule en place.

La pression spécifiée pour la cellule fournie est de 3,5 g.



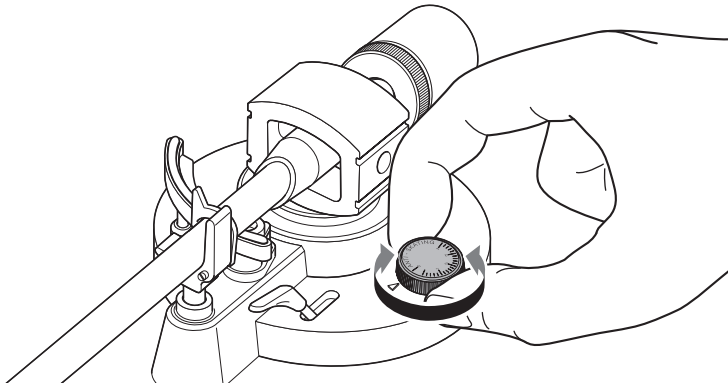
### NOTE

- ◆ Le fait de tourner le contrepois entraîne aussi la rotation de la bague graduée du contrepois.

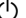
## Réglage du dispositif anti-skating

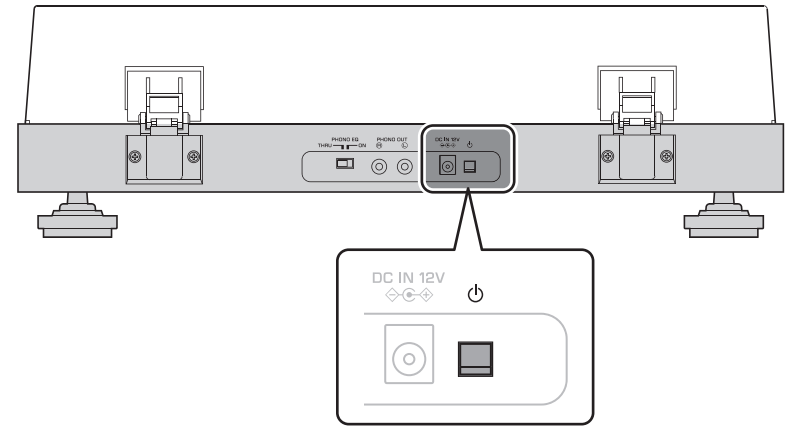
Quand le plateau tourne, la pointe du diamant produit une force qui l'entraîne vers le centre de rotation. Quand la valeur du dispositif d'anti-skating est identique à la valeur de pression du diamant, une force entraînant la pointe du diamant vers l'extérieur du centre de rotation est produite, et les deux forces s'annulent mutuellement.

- 1 Réglez le dispositif anti-skating sur la même valeur que la pression du diamant de la cellule en place.



## Mise sous tension

Appuyez sur le bouton  (alimentation) du panneau arrière de l'unité pour la mettre sous tension.



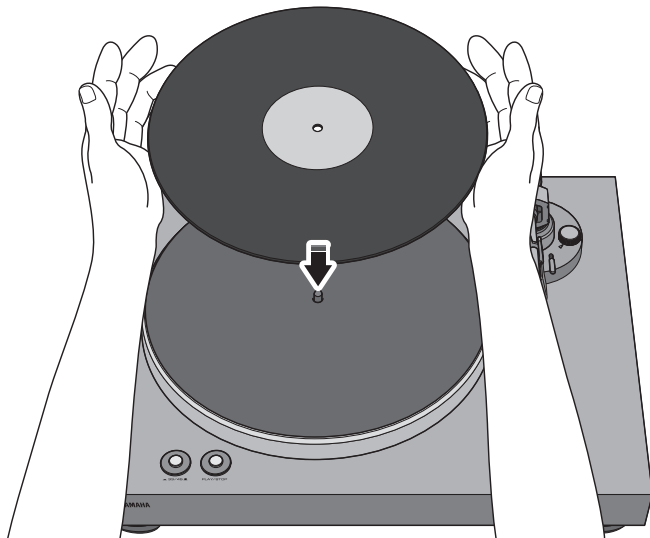
# Lecture

## ■ Lancement de la lecture

### ! ATTENTION

- ◆ Démarrer la lecture d'un disque vinyle sans diminuer suffisamment le volume sur l'amplificateur peut causer un bruit important quand le diamant touche la surface du disque. Cela pourrait provoquer des dommages de l'ouïe et un endommagement de l'amplificateur et des haut-parleurs. Veillez donc à baisser le volume sur l'amplificateur.

- 1 Ouvrez le capot et posez un disque vinyle sur le plateau.  
Pour lire un disque 45 tours, utilisez l'adaptateur centreur 45 tours livré.

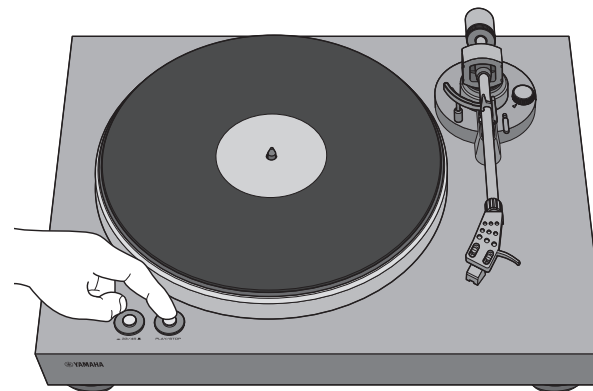


- 2 Choisissez la vitesse de rotation appropriée pour le disque avec le bouton 33/45 (vitesse).

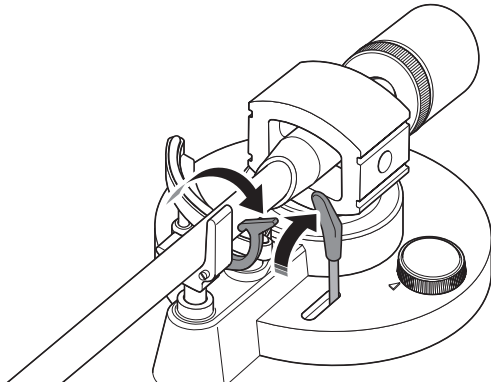
 : 33/1/3 tr/min     : 45 tr/min

- 3 Appuyez sur PLAY/STOP (lecture/arrêt).

Le plateau se met à tourner.

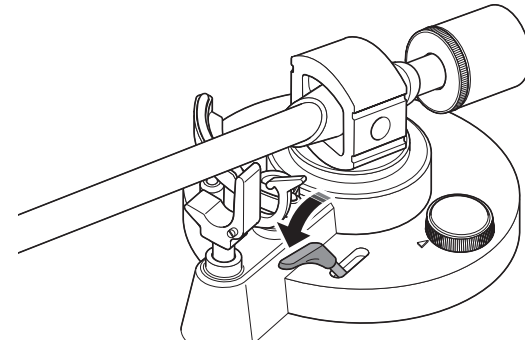


**4** Désengagez le verrou du bras de lecture et relevez le lève-bras.

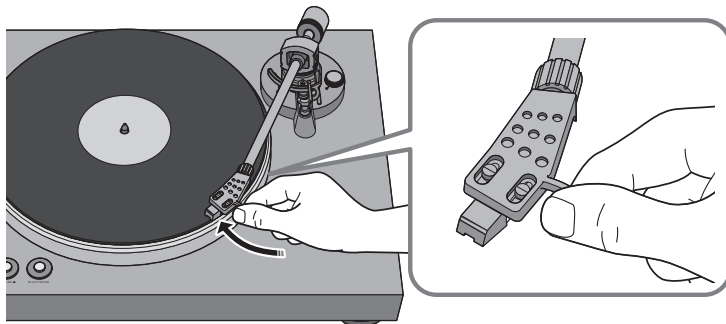


**6** Abaissez le lève-bras.

Le bras de lecture s'abaisse et la lecture du disque vinyle commence.



**5** Déplacez le bras de lecture jusqu'à l'emplacement du disque vinyle où vous voulez démarrer la lecture.



## ■ Arrêt momentané de la lecture

Pour arrêter momentanément la lecture du disque vinyle, relevez le lève-bras.

Pour reprendre la lecture, abaissez le lève-bras.

## ■ Arrêt de la lecture

- 1 Relevez le lève-bras.
- 2 Remplacez le bras de lecture sur le repose-bras.
- 3 Abaissez le lève-bras.
- 4 Appuyez sur **PLAY/STOP** (lecture/arrêt).  
La rotation du plateau s'arrête.
- 5 Engagez le verrou du bras de lecture.

### NOTE

- ◆ Le bras de lecture ne se relève pas automatiquement en fin de lecture d'un disque vinyle.
- ◆ Si vous ne comptez pas utiliser l'unité pendant une période prolongée, remettez le cache du diamant en place pour protéger ce dernier.

# En cas de nécessité

## Soin et entretien

---

### ■ Comment prendre soin de cette unité

Frottez-la avec un chiffon doux et sec. N'utilisez pas de produits chimiques tels que du benzène ou du diluant, car ils pourraient endommager la finition.

### ■ Entretien de la pointe du diamant

La pointe du diamant est extrêmement délicate. Manipulez-la avec soin pour éviter de l'endommager. Si de la poussière est accrochée à la pointe, éliminez-la avec une brosse à poils doux, en commençant par la base du diamant et en brossant vers la pointe de lecture, ou utilisez un nettoyant spécial pour diamant.

### ■ Entretien des disques vinyle

La présence de saleté sur un disque vinyle peut provoquer du bruit ou des sauts durant la lecture. Éliminez la saleté sur les disques vinyle avec une brosse disponible dans le commerce.

## Remplacement de pièces

---

### Remplacement de la courroie

Selon les conditions d'utilisation, la courroie peut s'user et se rompre. Dans ce cas, remplacez la courroie. Pour obtenir une courroie de remplacement, adressez-vous au revendeur ou SAV agréé Yamaha de votre région.

- 1 Mettez cette unité et les appareils connectés hors tension, puis débranchez l'adaptateur secteur de cette unité de la prise de courant.
- 2 Retirez le couvre-plateau du plateau.
- 3 Retirez la courroie de la poulie.
- 4 Insérez les doigts dans les orifices du plateau et levez ce dernier.



#### ATTENTION

- ◆ Veillez à ne pas lâcher le plateau. Cela pourrait causer des blessures ou endommager l'unité.

- 5 Retournez le plateau et retirez la courroie.
- 6 Mettez la nouvelle courroie en place sur le plateau.  
Veillez à ne pas tordre la courroie.
- 7 Installez le plateau sur l'unité.

Pour plus de détails, reportez-vous à la section «Montage» à la page 10.

## Remplacement du diamant

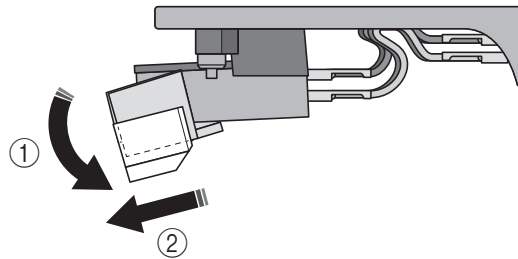
Quand la pointe de lecture du diamant est usée ou endommagée, remplacez immédiatement le diamant.

Procurez-vous comme remplacement une pointe de lecture Audio-Technica ATN3600L.

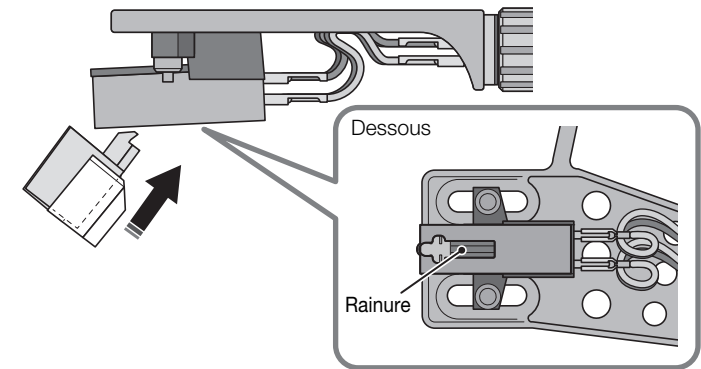
### ⚠ ATTENTION

- ◆ Mettez en place le cache du diamant avant de changer la pointe de lecture. Sans cela, la pointe de lecture risquerait de causer des blessures ou de subir des dommages.
- ◆ Veillez à conserver le diamant hors de portée des enfants afin d'éviter les risques d'ingestion.

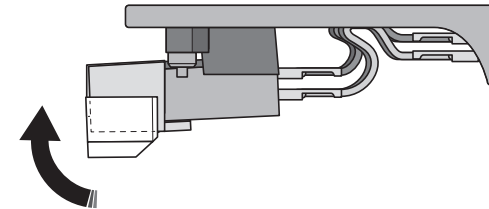
- 1 Mettez cette unité et les appareils connectés hors tension, puis débranchez l'adaptateur secteur de cette unité de la prise de courant.
- 2 Maintenez le corps de la cellule des doigts et poussez le diamant vers le bas ①, puis tirez-le vers vous ② pour le retirer.



- 3 Tout en maintenant toujours le corps de la cellule des doigts, insérez l'onglet du nouveau diamant dans la rainure sur le dessous de la cellule.



- 4 Poussez le diamant vers le haut jusqu'à ce que vous entendiez un déclic.







## Déplacement de l'unité

Avant de déplacer l'unité, engagez le verrou du bras de lecture afin d'immobiliser le bras.

# Résolution des problèmes

Si l'unité présente des signes de fonctionnement anormal, vérifiez les points suivants.

Si les solutions proposées ne permettent pas de résoudre le problème ou si le problème rencontré n'est pas décrit ci-dessous, appuyez sur le bouton  (alimentation) situé sur le panneau arrière de l'unité pour la mettre hors tension, débranchez l'adaptateur secteur et prenez contact avec un revendeur ou SAV agréé Yamaha dans votre région.

Anomalies	Causes possibles	Solution	Page
<b>Une pression sur  (alimentation) ne permet pas de mettre l'unité sous tension.</b>	L'adaptateur secteur est débranché de la prise DC IN de cette unité ou de la prise de courant, ou n'est pas fermement connecté.	Raccordez fermement l'adaptateur secteur à la prise DC IN de cette unité et à la prise de courant.	13
<b>Le plateau ne tourne pas.</b>	La courroie n'est pas ajustée correctement sur le plateau et la poulie, ou est détachée.	Ajustez correctement la courroie sur le plateau et la poulie.	10
	L'unité n'a pas été mise sous tension avec  (alimentation).	Mettez l'unité sous tension avec  (alimentation).	16
<b>Aucun son.</b>	Le porte-cellule n'est pas fixé correctement sur le bras de lecture.	Montez correctement le porte-cellule sur le bras de lecture.	11
	Le câble stéréo RCA/Cinch n'est pas raccordé correctement.	Raccordez correctement le câble stéréo RCA/Cinch.	13
	La fonction de sourdine de l'amplificateur est active.	Désactivez la fonction de sourdine de l'amplificateur.	–
<b>Le volume est trop faible ou trop élevé.</b>	Le réglage de cellule de l'amplificateur ou du préampli phono est incorrect.	Effectuez correctement le réglage de cellule de l'amplificateur ou du préampli phono en fonction du type de cellule utilisée (MM ou MC).	–
	Le réglage du sélecteur PHONO EQ est incorrect.	Réglez correctement le sélecteur PHONO EQ en fonction de l'appareil connecté.	13
<b>Le rendu de l'image stéréo est anormal.</b>	La platine vinyle n'est pas de niveau.	Placez la platine vinyle sur une surface de niveau.	–
<b>La vitesse de lecture est incorrecte.</b>	Le réglage de vitesse est incorrect.	Réglez correctement la vitesse en fonction du disque vinyle avec le bouton 33/45 (vitesse). Cette unité ne permet pas de lire des disques 78 tours.	17



Anomalies	Causes possibles	Solution	Page
<b>Le son comporte un bourdonnement.</b>	Le câble stéréo RCA/Cinch n'est pas raccordé correctement.	Raccordez correctement le câble stéréo RCA/Cinch.	13
	Le porte-cellule n'est pas enfoncé à fond sur le bras de lecture.	Serrez la bague de verrouillage pour bloquer le porte-cellule sur le bras de lecture.	11
<b>Le disque vinyle saute. Le son comporte du bruit. Le son comporte de la distorsion.</b>	Le réglage de pression du diamant est incorrect.	Réglez le contrepoids sur le repère correspondant à la pression appropriée pour la cellule en place.	14
	Le disque vinyle est rayé ou déformé.	N'utilisez pas de disques rayés ni déformés.	-
	Le disque vinyle est sale.	Nettoyez le disque vinyle avec une brosse disponible dans le commerce.	-
	Le disque vinyle est chargé d'électricité statique.	Utilisez une brosse antistatique pour éliminer la charge statique du disque vinyle.	-
	Le diamant est sale.	Nettoyez le diamant.	20
	Le diamant est usé.	Remplacez le diamant.	21
	L'unité se trouve dans un endroit soumis à des vibrations.	Placez l'unité à un endroit de niveau et à l'écart de sources de vibrations.	-
<b>Le son comporte de la réinjection (Larsen).</b>	L'unité est placée trop près des haut-parleurs.	Éloignez l'unité des hauts-parleurs.	-
	Le volume de lecture est trop élevé.	Réglez le volume sur l'amplificateur.	-

# Caractéristiques techniques

Voici les caractéristiques techniques de cette unité.

## Section du plateau

Méthode d'entraînement . . . . .	À courroie
Moteur . . . . .	Moteur électrique
Vitesse de rotation . . . . .	33 1/3 tr/min, 45 tr/min
Variation de vitesse de rotation . . . . .	±2%
Pleurage et scintillement . . . . .	.0,2%
Plateau . . . . .	En aluminium moulé Diamètre 30 cm

## Section du bras de lecture

Type . . . . .	Bras de lecture droit à équilibre statique
Longueur effective du bras . . . . .	223,5 mm
Plage de réglage de la pression du diamant . . . . .	0–4 g
Poids admissible de la cellule . . . . .	15,5–19 g (y compris le porte-cellule)
Avancée . . . . .	19 mm

## Section de la cellule

Type . . . . .	MM
Tension de sortie . . . . .	2,5 mV (1 kHz, 3,54 cm/sec)
Force d'appui du diamant . . . . .	3,5 ±0,5 g
Poids de la cellule . . . . .	5,0 ±0,3 g
Hauteur de la cellule . . . . .	17,0 ±0,7 mm
Poids du porte-cellule . . . . .	10 g (y compris les vis, écrous et fils)

## Section audio

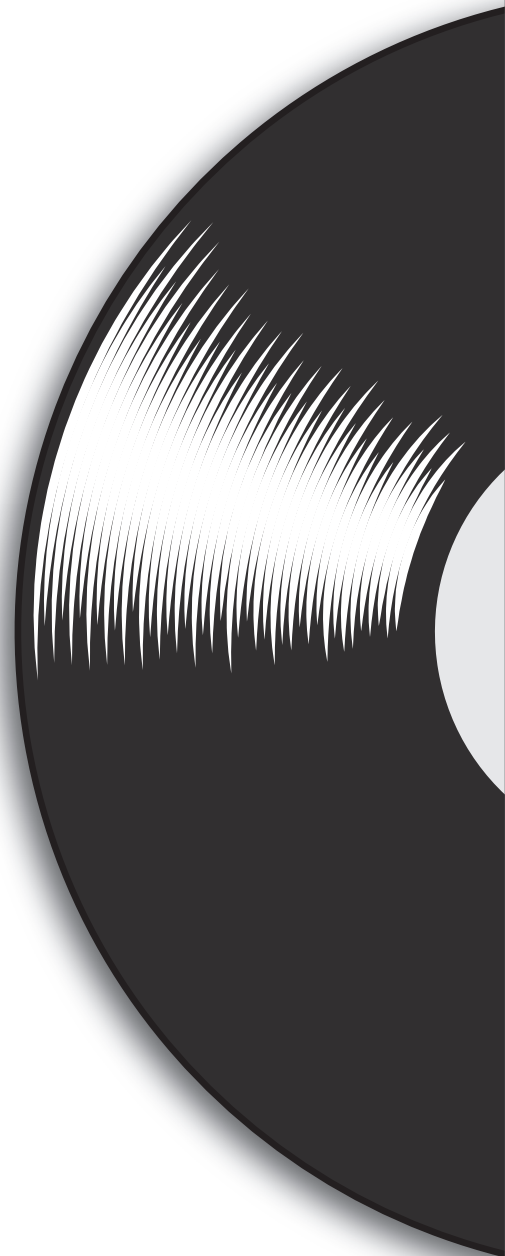
Niveau de sortie	
PHONO EQ THRU (1 kHz, 3.54 cm/sec) . . . . .	2,5 mV ±3 dBV
PHONO EQ ON . . . . .	140 mV (–17 dBV)
Rapport signal/bruit (pondéré A, 20 kHz LPF) . . . . .	67 dB ou plus
Prise de sortie . . . . .	PHONO OUT × 1 (RCA/Cinch asymétrique)

## Généralités

Alimentation de l'adaptateur secteur	
Entrée . . . . .	CA 100–240 V 50/60 Hz
Sortie . . . . .	12 V 0,5 A
Consommation	
Quand l'unité est sous tension . . . . .	1,5 W
Quand l'unité est en veille . . . . .	.0,1 W
Poids . . . . .	4,8 kg
Dimensions (largeur × hauteur × profondeur) . . . . .	450 × 136 × 368 mm (incluant pieds et saillies)

- ♦ Le contenu de ce mode d'emploi s'applique aux dernières caractéristiques techniques connues à la date de publication du manuel. Pour obtenir la version la plus récente du manuel, accédez au site Web de Yamaha puis téléchargez le fichier du manuel concerné.





YAMAHA CORPORATION

10-1 Nakazawa-cho, Naka-ku, Hamamatsu, 430-8650 Japan

Yamaha Global Site  
<https://www.yamaha.com/>  
Yamaha Downloads  
<https://download.yamaha.com/>

Manual Development Group  
© 2018 Yamaha Corporation

Published 08/2018 IPOD-A0

AV17-0337