

CARTRIDGE REPLACEMENT INSTRUCTIONS

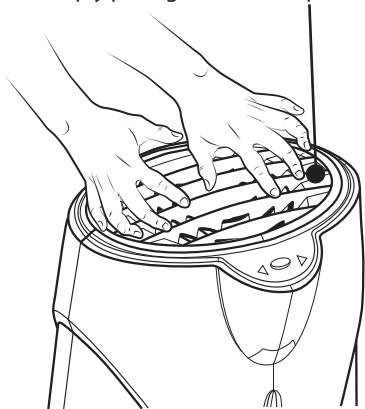
PLEASE READ ALL INSTRUCTIONS BEFORE STARTING CARTRIDGE REPLACEMENT

TO REMOVE GRILL:

Grasp the 4th Grill Fin and pull toward you and upward.

TO REPLACE:

Simply push grill back into place.

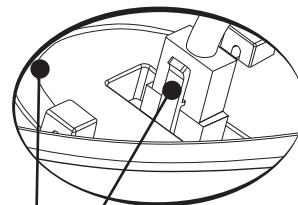
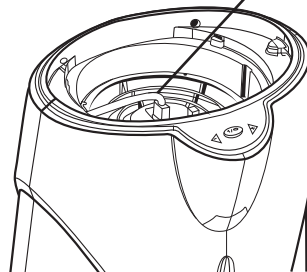
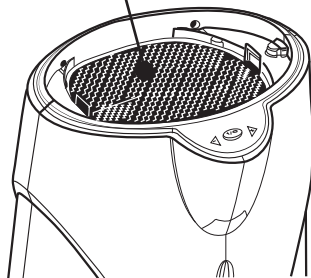


TO REMOVE PARTICULATE SCREEN:

Pull on tabs.

TO REPLACE:

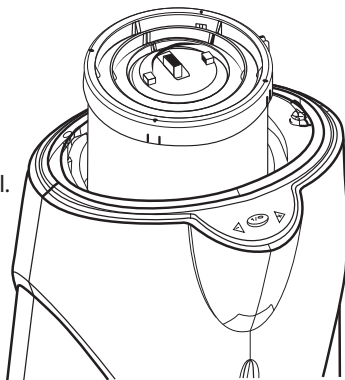
Push new screen into place.



TO REMOVE CARTRIDGE:

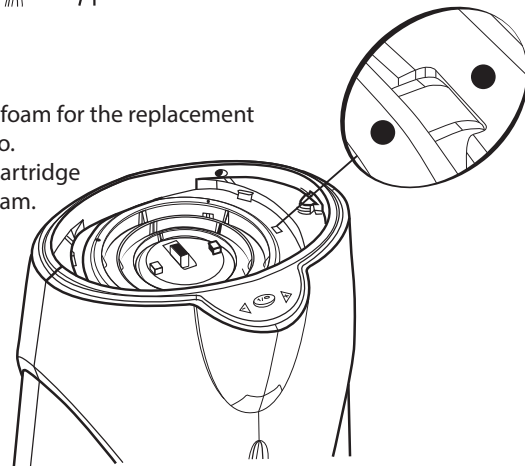
- 1- Disconnect by firmly pressing connector release tab and pulling.
- 2- Grasp metal handle and pull cartridge to remove.

- 1- Pull old cartridge out
- 2- Lower the replacement cartridge into unit. Make sure to line up the white dot on cartridge with white dot on foam so cartridge inserts completely.
- 3- Re-attach connector, re-install particulate screen and replace grill.



NOTE:

- 1- There is a slot in the foam for the replacement cartridge to slide into.
- 2- Align white dot on cartridge with white dot on foam.



Please check state and local requirements regarding disposal of the UV Lamp.

 LAMP CONTAINS MERCURY

Manage in Accord with Disposal Laws,
See: www.lamprecycle.org or 1-800-484-9704