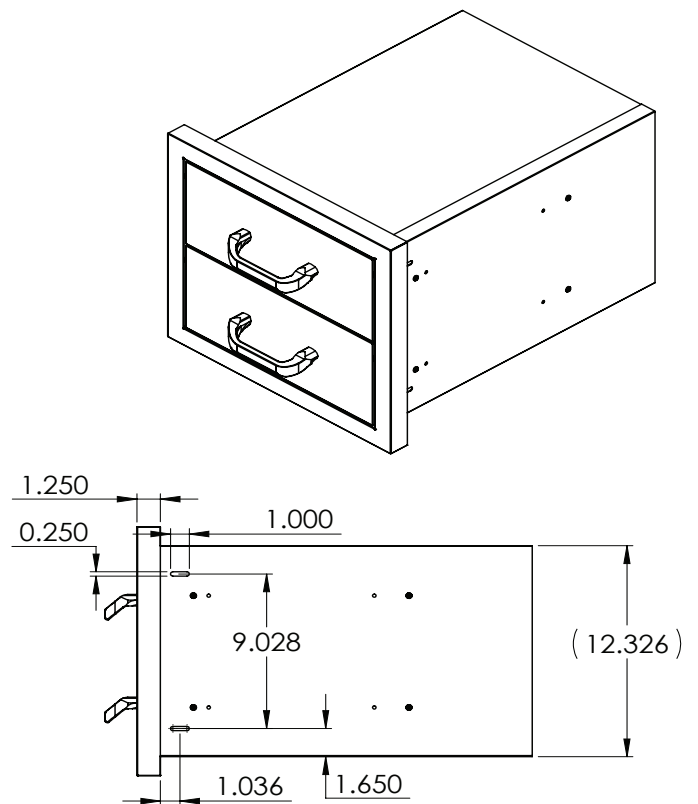
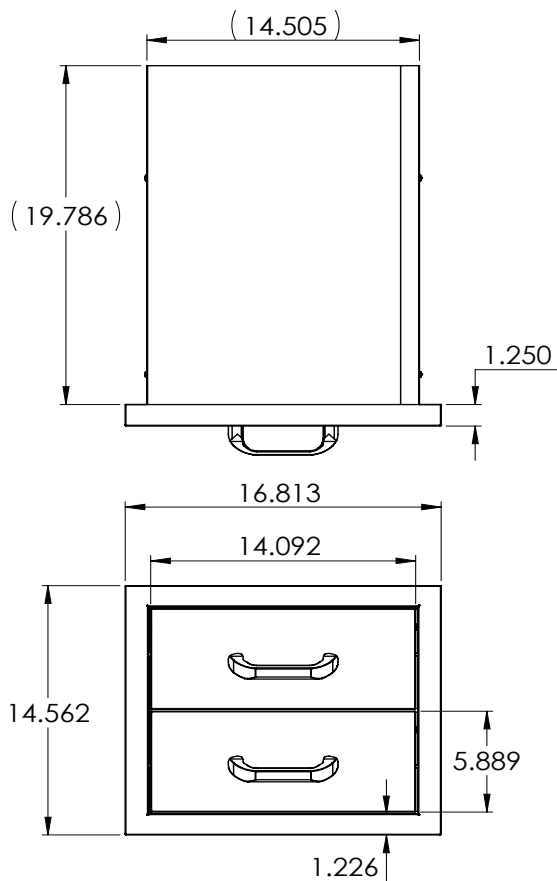


# Vintage

## Grill & Accessory Dimensions

Measure twice, cut once! Always measure your grill and accessories for precise cut-out in your outdoor kitchen.

MODEL #	DESCRIPTION	OVERALL	CUTOUT
<b>ACCESSORIES</b>			
V2DR	2 Drawer System	16 4/5"W X 14 1/2"H X 21"D	14 5/8"W X 12 1/4"H



### Product Features

- 2-drawer system for your custom outdoor kitchen
- Conveniently store needed items within arms reach
- Stainless steel glides for smooth opening and closing
- Constructed with 18-gauge 304 stainless steel" flange offers convenience when building a stone island