

## Tech Spec

### QuickCAT Universal

*Ceiling Mount for PTZ Cameras*

**Mount:** 999-82000-000 (North America), 999-82000-001 (Europe/UK), 999-82000-009 (Australia/New Zealand/China)

**Mount with OneLINK HDMI for Cisco Precision HD S1 and Precision 60 Cameras:** 999-82110-000 (North America), 999-82110-001 (Europe/UK), 999-82110-009 (Australia/New Zealand/China)

**Mount with OneLINK HDMI for Vaddio, Sony, and Panasonic Cameras:** 999-82120-000 (North America), 999-82120-001 (Europe/UK), 999-82120-009 (Australia/New Zealand/China)

**Mount with OneLINK Bridge for Cisco Precision HD S1 and Precision 60 Cameras:** 999-82210-000 (North America), 999-82210-001 (Europe/UK), 999-82210-009 (Australia/New Zealand/China)

**Mount with OneLINK Bridge for Vaddio, Sony, and Panasonic Cameras:** 999-82220-000 (North America), 999-82220-001 (Europe/UK), 999-82220-009 (Australia/New Zealand/China)



## Features

- Adjustable tile bridge can be leveled even if the ceiling grid is inconsistent
- Tile bridge can be concealed above the ceiling tile or installed flush with the tile
- Accommodates the camera interface module (EZIM) for a OneLINK device
- Q-Lock quick-release lever for simple camera attachment
- Key lock for security
- Full 360° rotation (yaw) adjustment during installation
- Tool-free adjustments for camera leveling
- 12 inches of vertical adjustment
- Compatible with common ceiling grid sizes:
  - 2 ft x 2 ft
  - 2 ft x 4 ft
  - 60 cm x 60 cm
  - 62.5 cm x 62.5 cm

**Touchboards**

205 Westwood Ave, Long Branch, NJ 07740  
 Phone: 866-94 BOARDS (26273) / (732)-222-1511  
 Fax: (732)-222-7088 | E-mail: sales@touchboards.com

## Compatible Products

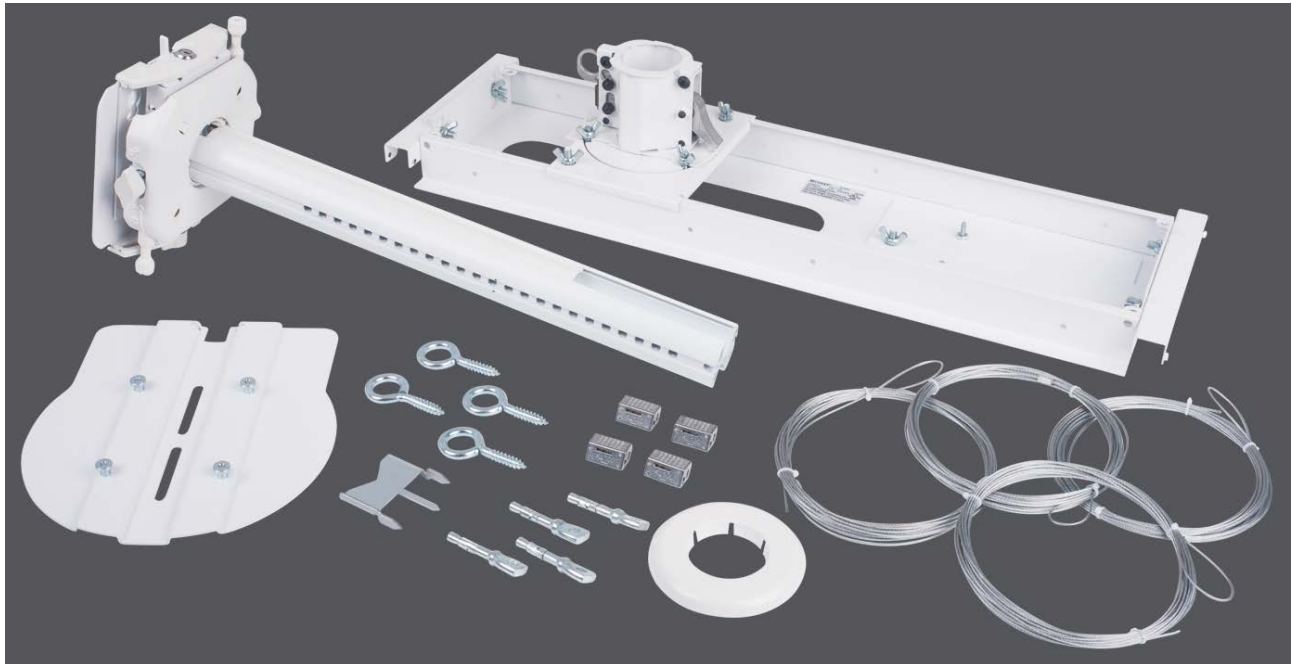
The QuickCAT Universal Ceiling Mount for PTZ Cameras is compatible with the following products:

- RoboSHOT series cameras, including RoboSHOT 20 UHD
- ConferenceSHOT series cameras
- PowerVIEW series cameras
- ClearVIEW series cameras
- Sony BRC series cameras (-300, -Z330, -Z700, -H700, -H800, -H900, -X1000)
- Panasonic AW series cameras (-HE40, -UE70, -HE130)
- Cisco Precision 60 and Precision HD S1

## What's Included

The QuickCAT Universal ceiling mount for PTZ cameras ships with these items:

- Tile bridge
- Camera interface mount plate
- Column assembly with trim ring
- Camera mount plate
- Support wires and anchoring hardware
- Ceiling tile cutter



## Specifications

Vertical Extension	12 in. (30.5 cm)	Height	19.8 in. (50.3 cm)
Pitch (Leveling) Adjustment	10°	Width	7.25 in. (18.4 cm)
Suspension	WireVice system	Depth	24.9 in. (63.4 cm)
Capacity	35 lbs. (15.9 kg)	Weight	13 lbs. (5.9 kg)