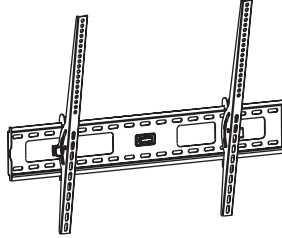


# Owner's Manual

## Tilt Flat Screen Wall Mount

MODEL: DWT4585X



CAUTION: DO NOT EXCEED MAXIMUM LISTED WEIGHT CAPACITY. SERIOUS INJURY OR PROPERTY DAMAGE MAY OCCUR!



200x200/300x300/  
400x200/400x400/  
600x400/800x400



Este manual esta disponible en español en la página de Tripp Lite: [www.tripplite.com](http://www.tripplite.com)

Ce manuel est disponible en français sur le site Web de Tripp Lite : [www.tripplite.com](http://www.tripplite.com)

Русскоязычная версия настоящего руководства представлена на веб-сайте компании Tripp Lite по адресу: [www.tripplite.com](http://www.tripplite.com)

Dieses Handbuch ist in deutscher Sprache auf der Tripp Lite-Website verfügbar: [www.tripplite.com](http://www.tripplite.com)

### PROTECT YOUR INVESTMENT!

Register your product for quicker service and ultimate peace of mind.

You could also win an ISOBAR6ULTRA surge protector—a \$50 value!

[www.tripplite.com/warranty](http://www.tripplite.com/warranty)

# TRIPP·LITE



1111 W. 35th Street, Chicago, IL 60609 USA • [www.tripplite.com/support](http://www.tripplite.com/support)

Copyright © 2014 Tripp Lite. All rights reserved.

**NOTE:** Read the entire instruction manual before you start installation and assembly.



## **WARNING**

- Do not begin the installation until you have read and understood the instructions and warnings contained in this manual. If you have any questions regarding any of the instructions or warnings, please visit [www.triplite.com/support](http://www.triplite.com/support).
- This mounting bracket was designed to be installed and utilized ONLY as specified in this manual. Improper installation of this product may cause damage or serious injury.
- This product should only be installed by someone of good mechanical ability, with basic building experience and a full understanding of this instruction manual.
- Make sure that the mounting surface can safely support the combined load of the equipment and all attached hardware and components.
- If mounting to wood wall studs, make sure that mounting screws are anchored into the center of the studs. The use of a stud finder is highly recommended.
- Always use an assistant or mechanical lifting equipment to safely lift and position equipment.
- Tighten screws firmly, but do not over-tighten. Over-tightening can damage the items, greatly reducing their holding power.
- This product is intended for indoor use only. Using this product outdoors could lead to product failure and personal injury.

## **Warranty & Product Registration**

### **5-Year Limited Warranty**

Seller warrants this product, if used in accordance with all applicable instructions, to be free from original defects in material and workmanship for a period of 5 years from the date of initial purchase. If the product should prove defective in material or workmanship within that period, Seller will repair or replace the product, in its sole discretion.

THIS WARRANTY DOES NOT APPLY TO NORMAL WEAR OR TO DAMAGE RESULTING FROM ACCIDENT, MISUSE, ABUSE OR NEGLIGENCE. SELLER MAKES NO EXPRESS WARRANTIES OTHER THAN THE WARRANTY EXPRESSLY SET FORTH HEREIN. EXCEPT TO THE EXTENT PROHIBITED BY APPLICABLE LAW, ALL IMPLIED WARRANTIES, INCLUDING ALL WARRANTIES OF MERCHANTABILITY OR FITNESS, ARE LIMITED IN DURATION TO THE WARRANTY PERIOD SET FORTH ABOVE; AND THIS WARRANTY EXPRESSLY EXCLUDES ALL INCIDENTAL AND CONSEQUENTIAL DAMAGES. (Some states do not allow limitations on how long an implied warranty lasts, and some states do not allow the exclusion or limitation of incidental or consequential damages, so the above limitations or exclusions may not apply to you. This warranty gives you specific legal rights, and you may have other rights which vary from jurisdiction to jurisdiction).

**WARNING:** The individual user should take care to determine prior to use whether this device is suitable, adequate or safe for the use intended. Since individual applications are subject to great variation, the manufacturer makes no representation or warranty as to the suitability or fitness of these devices for any specific application.

### **PRODUCT REGISTRATION**

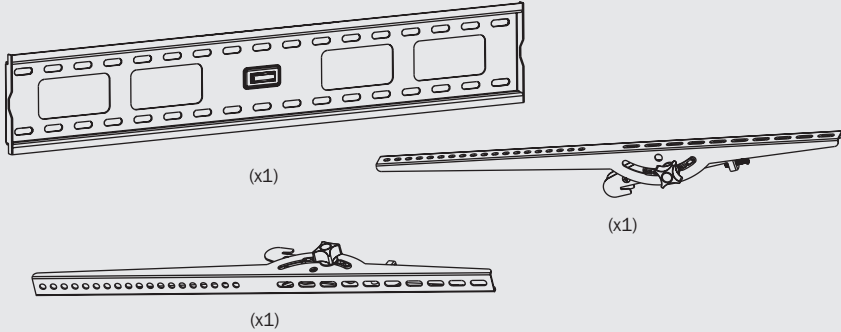
Visit [www.triplite.com/warranty](http://www.triplite.com/warranty) today to register your new Tripp Lite product. You'll be automatically entered into a drawing for a chance to win a FREE Tripp Lite product!\*

\* No purchase necessary. Void where prohibited. Some restrictions apply. See website for details.

Tripp Lite has a policy of continuous improvement. Specifications are subject to change without notice.

## Component Checklist

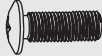
**IMPORTANT:** Ensure that you have received all parts according to the component checklist prior to installing. If any parts are missing or faulty, visit [www.triplite.com/support](http://www.triplite.com/support) for service.



### Package M



M5X14 (x4)



M6X14 (x4)



M8X20 (x4)



M6X30 (x4)



M8X30 (x4)



Washer (x4)

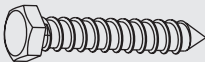


Small Spacer (x8)

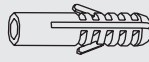


Big Spacer (x4)

### Package W



Anchor Bolt (x6)

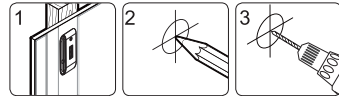
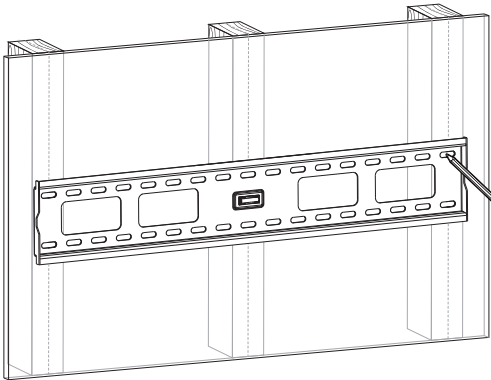
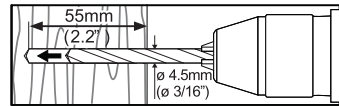
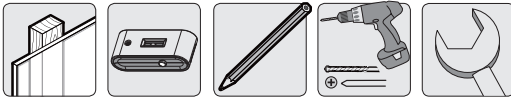


Concrete Anchor (x6)



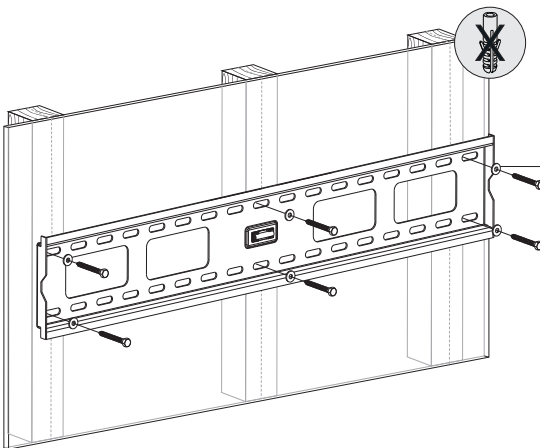
D8 Washer (x6)

## 1a. Mount on Wood Stud Wall

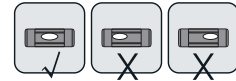


1 Find and mark the exact location of mounting holes

2 Drill pilot holes



D8 Washer  
Anchor Bolt

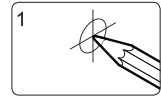
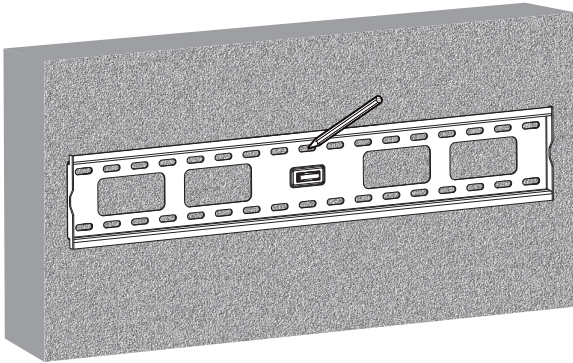
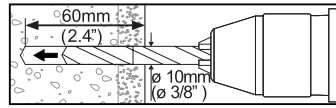
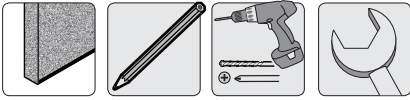


Fasten the wall plate onto the wall

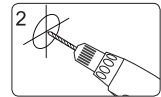
## **WARNING**

- Make sure that mounting screws are anchored into the center of the studs. Use of a stud finder is highly recommended.
- Installers are responsible to provide hardware for other types of mounting situations.
- Installers must verify that the supporting surface will safely support the combined load of the equipment and all attached hardware and components.

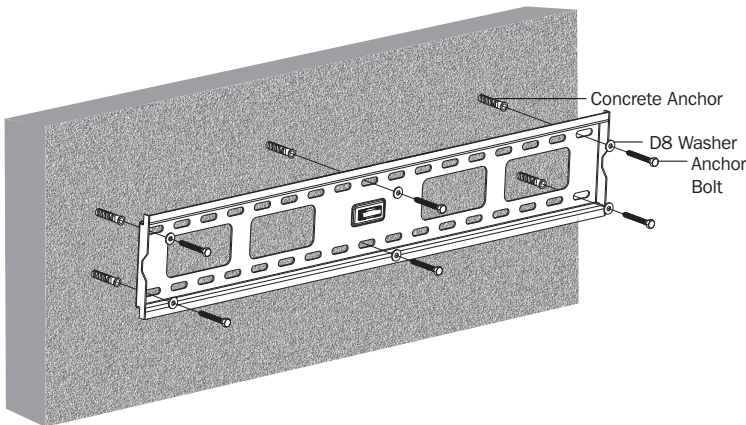
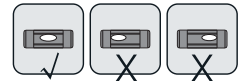
## 1b. Mount on Solid Brick and Concrete Block



1  
**Mark the exact location of mounting holes**



2  
**Drill pilot holes**



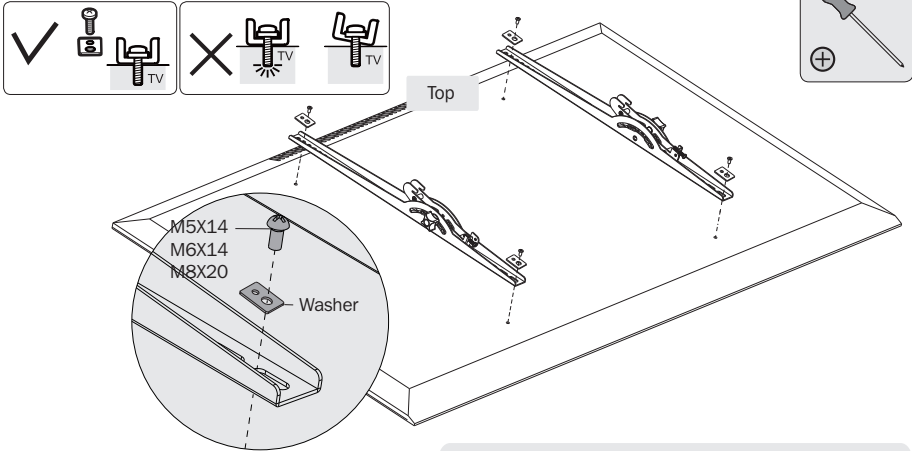
**Fasten the wall plate onto the wall**

### **WARNING**

- When installing wall mounts onto a concrete masonry unit (also known as a CMU or “cinder block”), verify that the actual concrete thickness is at least 35mm (1-3/8”) in order to hold the concrete anchors. **DO NOT DRILL INTO MORTAR JOINTS!** Be sure to mount the assembled wall-mount plate with the included concrete anchors, D8 washers and anchor bolts onto solid sections of the blocks. The solid sections can generally be found 25mm (1”) toward the middle of the block from either end. An electric drill on a slow setting is suggested to drill the hole rather than a hammer drill so as to avoid breaking out the back of the hole when entering a hollow section.
- Installers must verify that the supporting surface will safely support the combined load of the equipment and all attached hardware and components.

## 2. Install Adapter Brackets

### 2-1 For Flat Back Screen



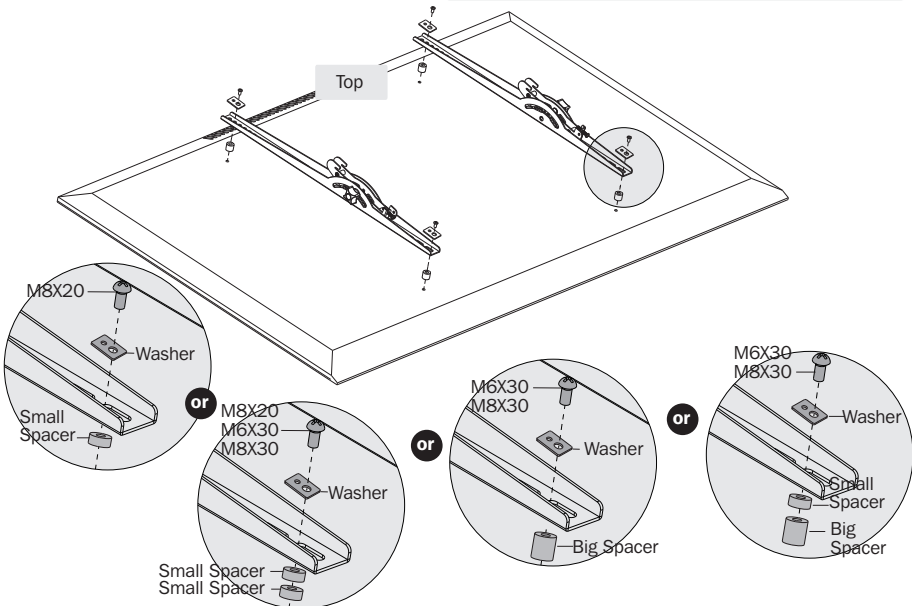
### 2-2 For Recessed Back Screen or to Access A/V Inputs



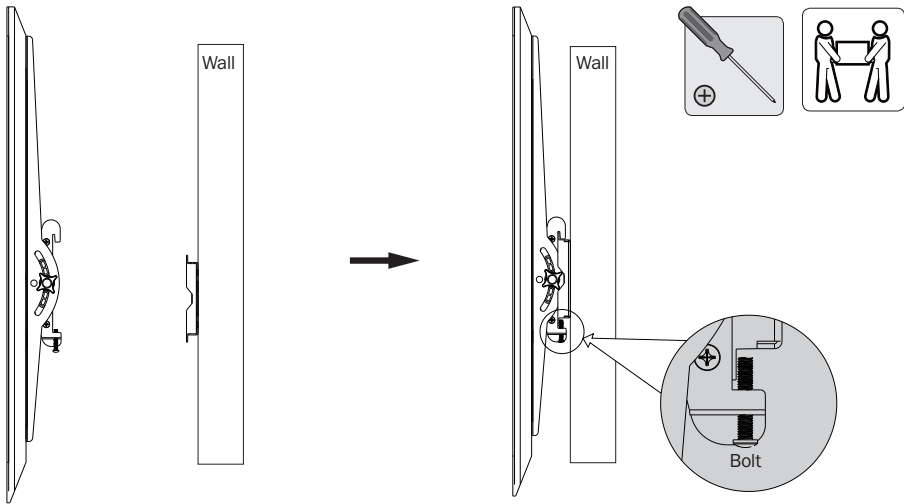
**Note:** Choose appropriate screws, washers and spacers (if necessary) according to the type of screen.

- Position the adapter brackets as close as possible to the center of the display.
- Firmly secure the adapter brackets onto the display using the screws and any other necessary hardware components included with the unit.

**⚠ Do not over-tighten screws.**

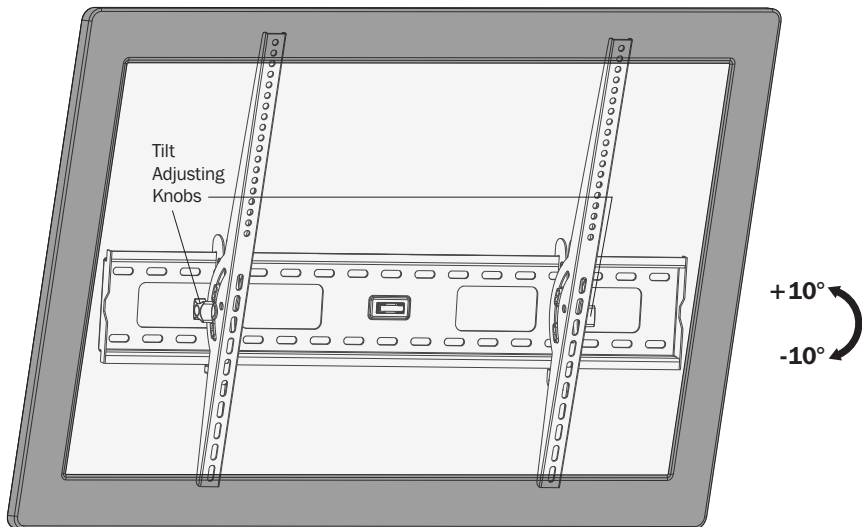


### 3. Hang Display onto the Wall Plate



Using an assistant or mechanical lifting equipment, hook the display with attached adapter brackets over the top of the mounted wall-plate. Tighten the two bolts on the bottom of the adapter brackets to secure the unit.

### 4. Adjustment



To adjust the tilt angle, loosen the Tilt Adjusting Knobs located on the sides of the adapter brackets. Once the display is at the desired angle, retighten the knobs to hold.

#### Maintenance

- Check that the bracket is secure and safe to use at regular intervals (at least every three months).
- Please visit [www.tripplite.com/support](http://www.tripplite.com/support) if you have any questions.



1111 W. 35th Street, Chicago, IL 60609 USA • [www.tripplite.com/support](http://www.tripplite.com/support)