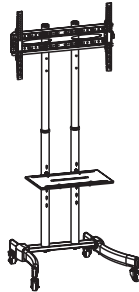


Owner's Manual

Mobile Flat-Panel Classic

Model: DMCS3770L



PROTECT YOUR INVESTMENT!

Register your product for quicker service and ultimate peace of mind.
You could also win an ISOBAR6ULTRA surge protector—a \$100 value!

www.tripplite.com/warranty



CAUTION: DO NOT EXCEED MAXIMUM LISTED WEIGHT CAPACITY. SERIOUS INJURY OR PROPERTY DAMAGE MAY OCCUR!



200 x 200 / 300 x 300 /
400 x 200 / 400 x 400 /
600 x 400



Este manual esta disponible en español en la página de Tripp Lite: www.tripplite.com

Ce manuel est disponible en français sur le site Web de Tripp Lite : www.tripplite.com

Русскоязычная версия настоящего руководства представлена на веб-сайте компании
Tripp Lite по адресу: www.tripplite.com

Dieses Handbuch ist in deutscher Sprache auf der Tripp Lite-Website verfügbar: www.tripplite.com

TRIPP-LITE



1111 W. 35th Street, Chicago, IL 60609 USA • www.tripplite.com/support

Copyright © 2017 Tripp Lite. All rights reserved.

NOTE: Read the entire instruction manual before you start assembly and installation.

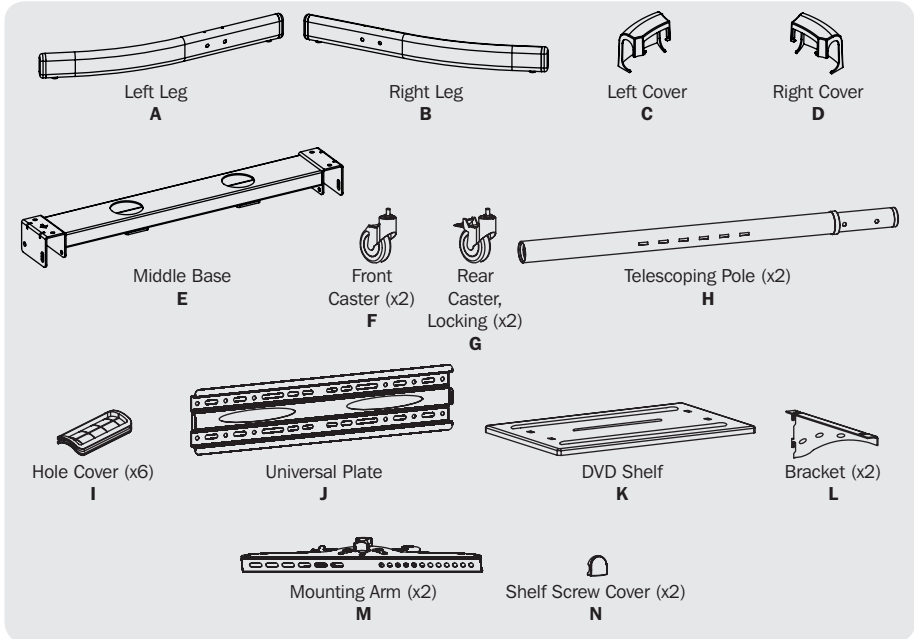


WARNING

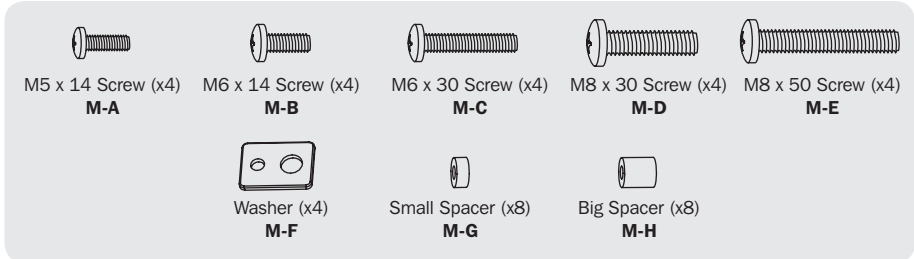
- Do not begin the installation until you have read and understood the instructions and warnings contained in this manual. If you have any questions regarding any of the instructions or warnings, please visit www.tripplite.com/support
- This mounting bracket was designed to be installed and utilized **ONLY** as specified in this manual. Improper installation of this product may cause damage or serious injury.
- This product should only be installed by someone of good mechanical ability, with basic building experience and a full understanding of this instruction manual.
- Make sure that the mounting surface can safely support the combined load of the equipment and all attached hardware and components.
- Always use an assistant or mechanical lifting equipment to safely lift and position equipment.
- Tighten screws firmly, but do not over-tighten. Over-tightening screws can damage the items, greatly reducing their holding power.
- This product is intended for indoor use only. Using this product outdoors could lead to product failure and personal injury.

Component Checklist

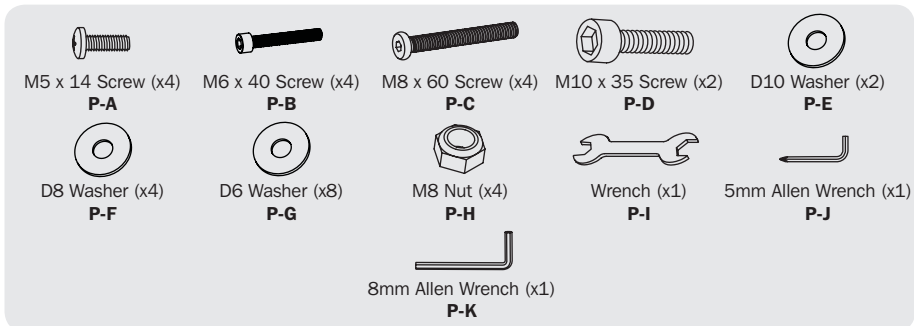
IMPORTANT: Ensure that you have received all parts according to the component checklist prior to installing. If any parts are missing or faulty, visit www.triplite.com/support for service.



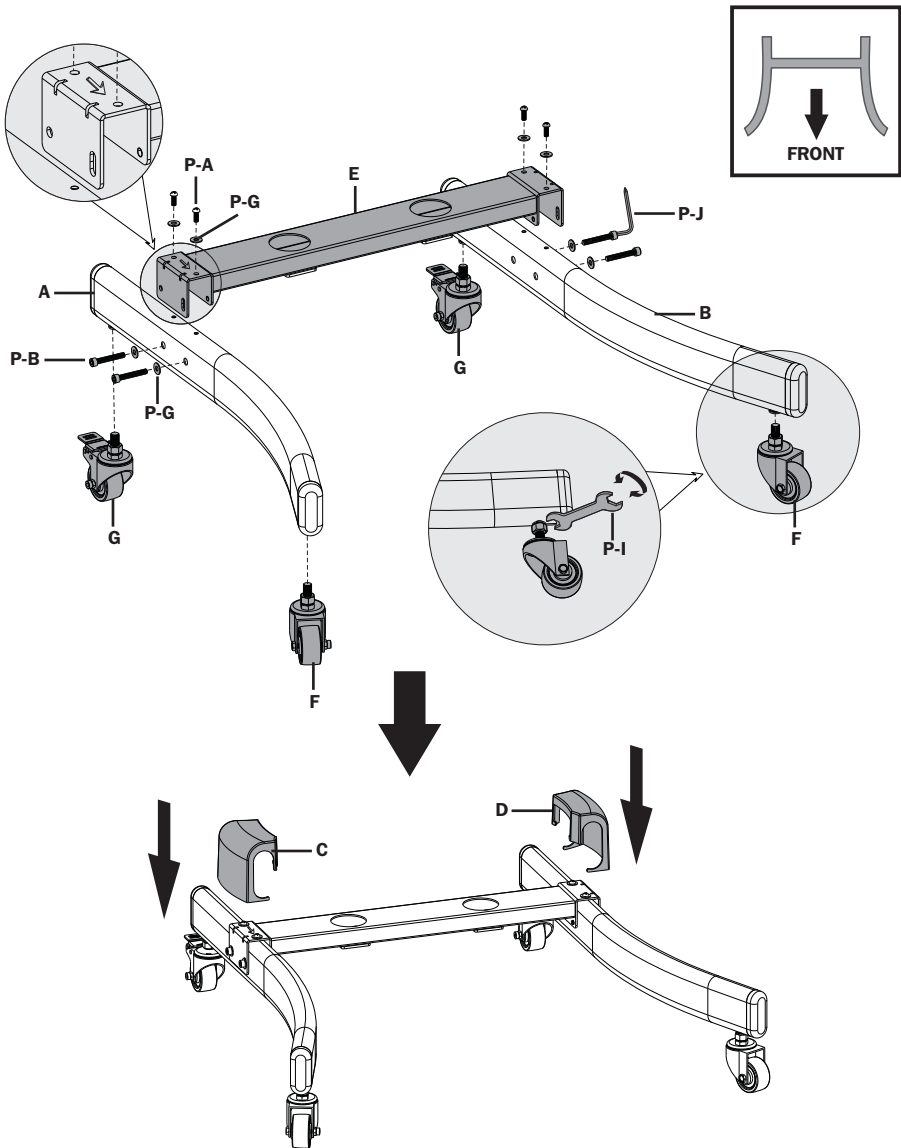
Package M



Package P

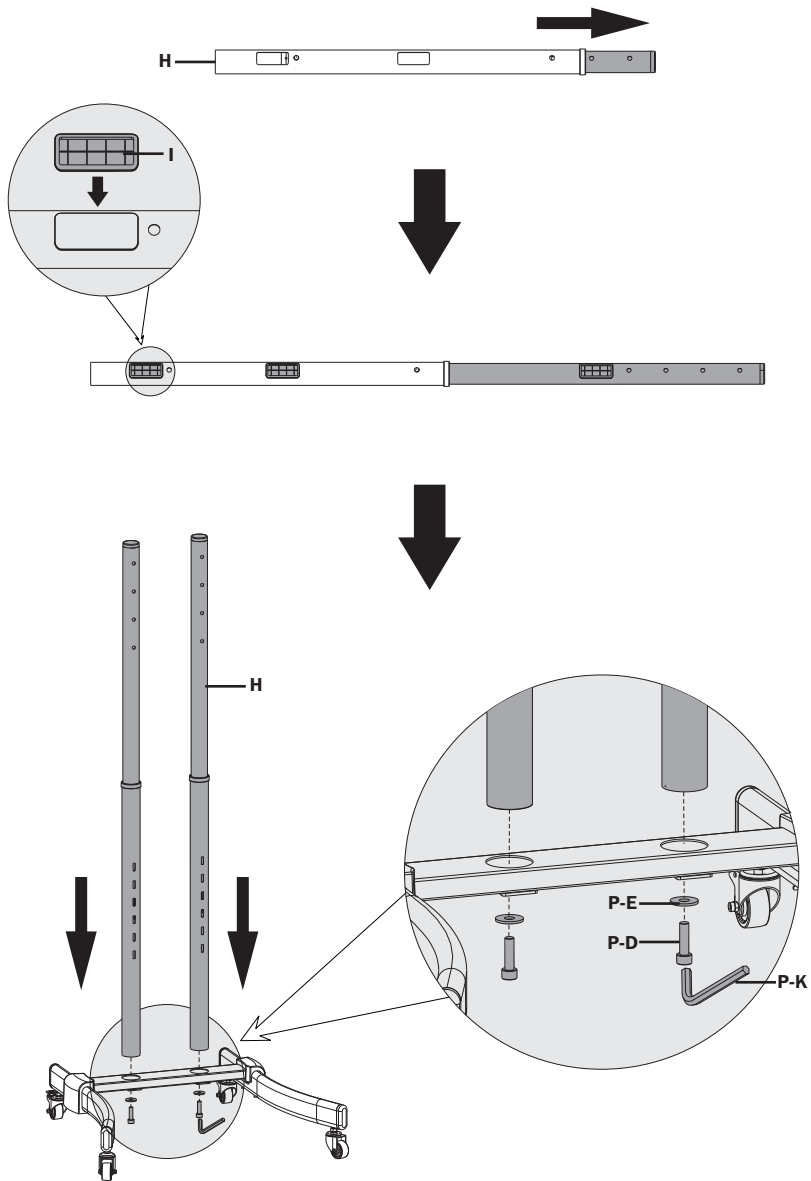


1. Assembling the Base



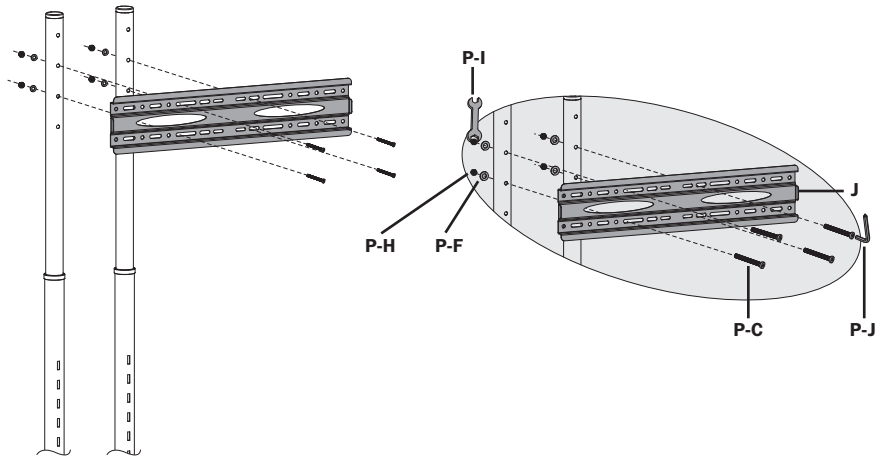
- 1) Attach Front Casters **F** and Rear Casters **G** to both Left Leg **A** and Right Leg **B** using Wrench **P-I**.
- 2) Attach Middle Base **E** to the Legs. Secure top bar with Screws **P-A** and Washers **P-G**. Secure to sides of Legs with Screws **P-B** and Washers **P-G** using Allen Wrench **P-J**.
- 3) Attach Left Cover **C** and Right Cover **D** to Legs.

2. Attaching Telescoping Sidebars



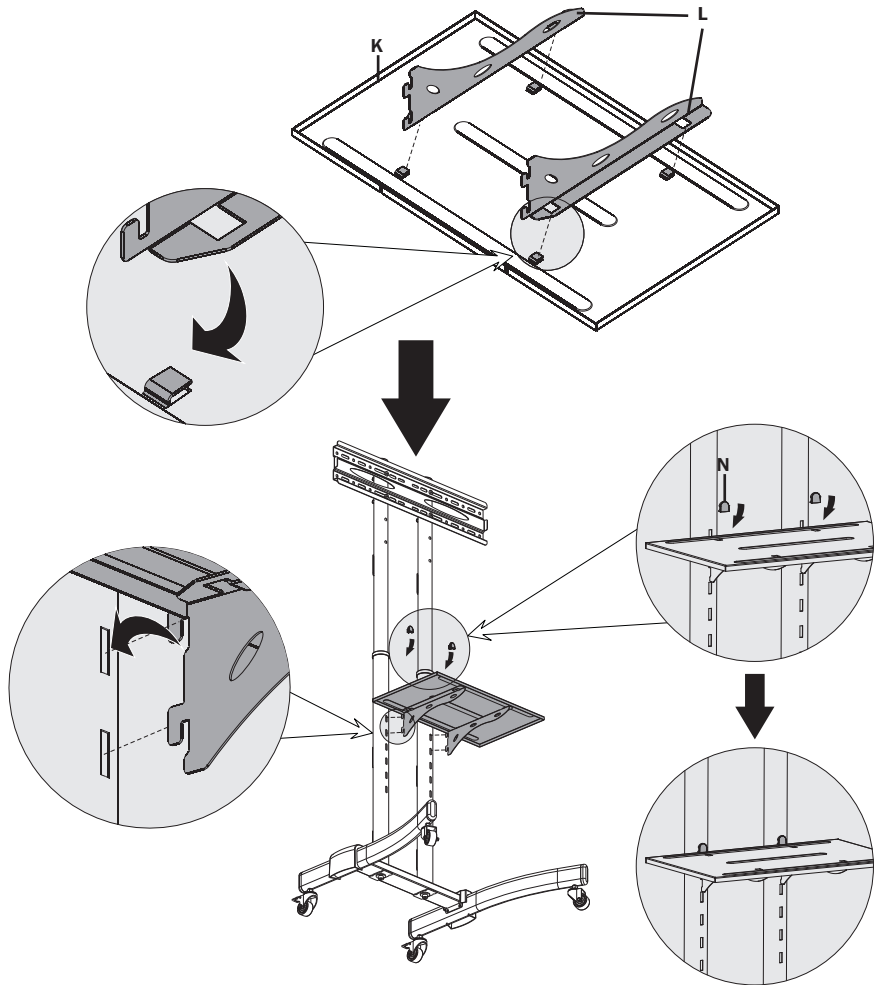
- 1) Adjust Telescoping Poles **H** to desired height using button. Cover exposed holes with Hole Covers **I**.
- 2) Insert Poles **H** into the holes on the Middle Base **E**. Secure with Screws **P-D** and Washers **P-E** using Allen Wrench **P-K**.

3. Attaching Universal Plate



Insert Washers **P-F** and Nuts **P-H** into rear of Telescoping Poles **H** at desired height. Secure Universal Plate **J** with Screws **P-C** using Allen Wrench **P-I**.

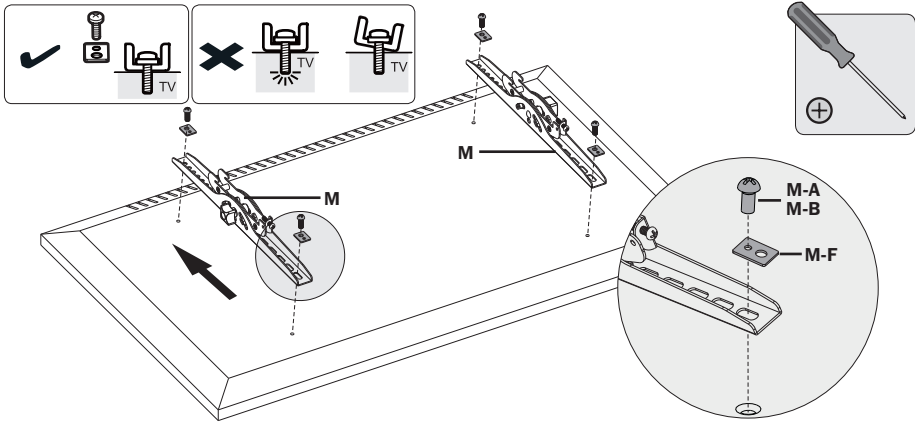
4. Installing the DVD Shelf



- 1) Slide Brackets **L** into DVD Shelf **K**.
- 2) Insert Bracket hooks at desired height into Telescoping Poles **H**. Push down to secure.
- 3) Cover exposed holes with Shelf Screw Covers **N**.

5. Installing the Mounting Arms

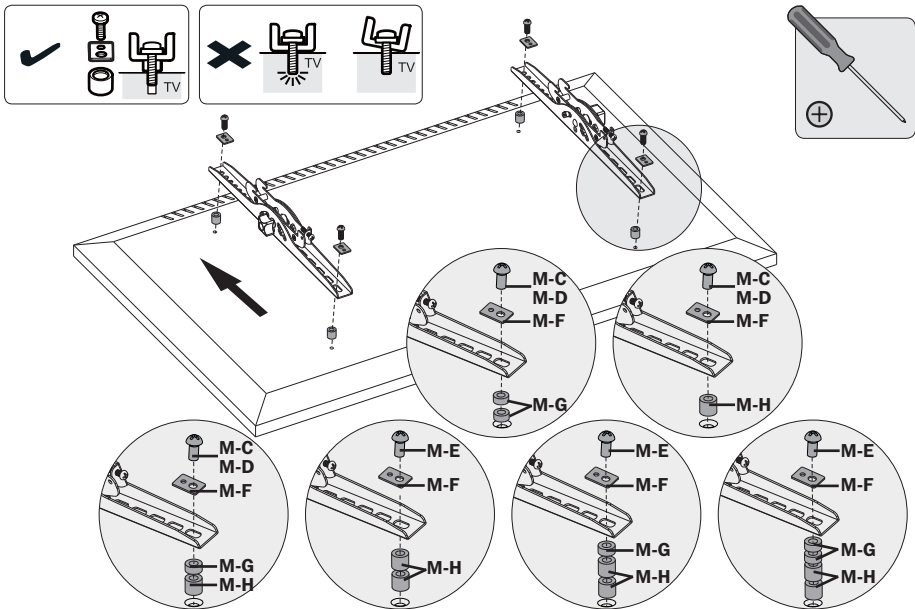
5.1 For Flat-Back Screens



Note: Choose the appropriate Screws, Washers and Spacers (if needed) according to the type of screen. Screw the Mounting Arms onto the display.

CAUTION: Tighten all screws but do not over-tighten.

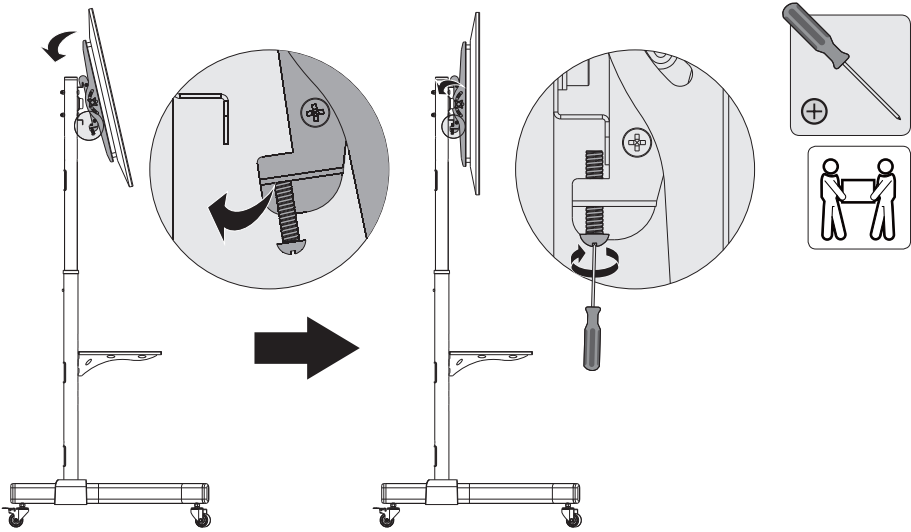
5.2 For Recessed-Back Screens or Accessing A/V Inputs



Note: Choose the appropriate Screws, Washers and Spacers (if needed) according to the type of screen. Screw the Mounting Arms onto the display.

CAUTION: Tighten all screws but do not over-tighten.

6. Hooking the Display to the Universal Plate

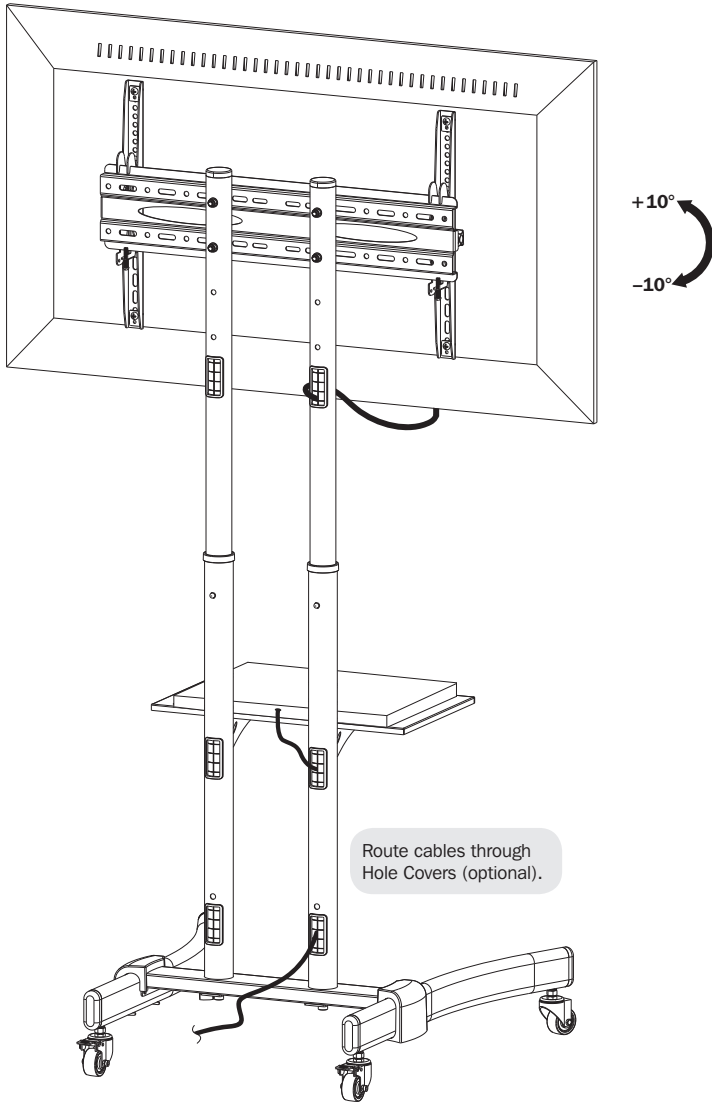


- 1) Hook the Mounting Arms onto the Universal Plate attached to the Telescoping Poles.
- 2) Secure by tightening Screws with user-supplied Phillips-head screwdriver.



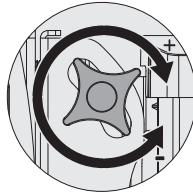
CAUTION: Be sure the display is correctly mounted and that the screws are safely tightened before releasing the display.

7. Cable Management & Display Adjustment



Route cables through
Hole Covers (optional).

Tighten the knobs to secure.



Loosen the knobs to adjust the display to the desired angle.

Warranty & Product Registration

5-Year Limited Warranty

Seller warrants this product, if used in accordance with all applicable instructions, to be free from original defects in material and workmanship for a period of 5 years from the date of initial purchase. If the product should prove defective in material or workmanship within that period, Seller will repair or replace the product, in its sole discretion.

THIS WARRANTY DOES NOT APPLY TO NORMAL WEAR OR TO DAMAGE RESULTING FROM ACCIDENT, MISUSE, ABUSE OR NEGLIGENCE. SELLER MAKES NO EXPRESS WARRANTIES OTHER THAN THE WARRANTY EXPRESSLY SET FORTH HEREIN. EXCEPT TO THE EXTENT PROHIBITED BY APPLICABLE LAW, ALL IMPLIED WARRANTIES, INCLUDING ALL WARRANTIES OF MERCHANTABILITY OR FITNESS, ARE LIMITED IN DURATION TO THE WARRANTY PERIOD SET FORTH ABOVE; AND THIS WARRANTY EXPRESSLY EXCLUDES ALL INCIDENTAL AND CONSEQUENTIAL DAMAGES. (Some states do not allow limitations on how long an implied warranty lasts, and some states do not allow the exclusion or limitation of incidental or consequential damages, so the above limitations or exclusions may not apply to you. This warranty gives you specific legal rights, and you may have other rights which vary from jurisdiction to jurisdiction).

WARNING: The individual user should take care to determine prior to use whether this device is suitable, adequate or safe for the use intended. Since individual applications are subject to great variation, the manufacturer makes no representation or warranty as to the suitability or fitness of these devices for any specific application.

PRODUCT REGISTRATION

Visit www.tripplite.com/warranty today to register your new Tripp Lite product. You'll be automatically entered into a drawing for a chance to win a FREE Tripp Lite product!*

* No purchase necessary. Void where prohibited. Some restrictions apply. See website for details.

Tripp Lite has a policy of continuous improvement. Specifications are subject to change without notice.

Maintenance

- Check that the bracket is secure and safe to use at regular intervals (at least every three months).
- For any additional questions, visit www.tripplite.com/support.



1111 W. 35th Street, Chicago, IL 60609 USA • www.tripplite.com/support