

Owner's Manual

1U Short-Depth Rackmount Console with 19" Display For KVM Switch or Server

Model: B021-000-19-SH

(Series Number: AGCB6533)

1. Introduction	2
2. Important Safety Instructions	2
3. System Components & Compatibility	2
4. Features	3
5. Connection	4
6. Storage & Service	5
7. Specifications	5
8. Warranty & Product Registration	5
Español	6
Français	11

PROTECT YOUR INVESTMENT!

Register your product for quicker service and ultimate peace of mind.

You could also win an ISOBAR6ULTRA surge protector—a \$100 value!

www.tripplite.com/warranty



1111 W. 35th Street, Chicago, IL 60609 USA • www.tripplite.com/support

Copyright © 2015 Tripp Lite. All rights reserved.

1. Introduction

The B021-000-19-SH 1U Short-Depth Rackmount Console features an integrated LCD panel, full keyboard and touch pad in a 1U rackmountable housing. It is designed for use with a server or a KVM switch with PS/2 or USB console port connectors. The B021-000-19-SH's compact design permits installation in short-depth enclosures. Features include:

- Rackmount console combines a 19-in. LCD display, keyboard and touch pad in an integrated 1U rackmountable housing
- Sleep mode is automatically invoked when the monitor cover is closed
- Supports resolutions of up to 1366 x 768 pixels
- Can be used with any device that includes PS/2 or USB console port connectors
- Rackmountable in short-depth enclosures down to 19 in.

2. Important Safety Instructions



SAVE THESE INSTRUCTIONS

This manual contains instructions and warnings that should be followed during the installation and operation of this product. Failure to comply may invalidate the warranty and cause property damage and/or personal injury.

Installation Warnings

- Install the Console in a controlled indoor environment, away from moisture, temperature extremes, flammable liquids and gasses, conductive contaminants, dust and direct sunlight.
- Operate the Console at indoor temperatures between 32° F and 104° F (0° C and 40° C).
- When connecting the Console to the facility's power supply circuit, ensure that the circuit is not overloaded.

Rackmount Warnings

- Ensure there is adequate airflow within the rack.
- Mount the Console evenly within the rack to eliminate potentially hazardous uneven mechanical loading conditions.
- Ensure that all rackmount equipment is reliably grounded.

Connection Warnings

- Use of this equipment in life support applications where failure of this equipment can reasonably be expected to cause the failure of the life support equipment or to significantly affect its safety or effectiveness is not recommended. Do not use this equipment in the presence of a flammable anesthetic mixture with air, oxygen or nitrous oxide.
- Ensure that the cables used with the Console are not close to any sources of electrical noise interference such as fluorescent lights, HVAC systems or motors.
- Ensure that the distance between any computer and the Console does not exceed 33 ft. (10 m).

Maintenance Warnings

- The Console does not require routine maintenance. There are no user-serviceable parts inside. Only authorized service personnel should open the case for any reason.
- Disconnect the unit from AC input power before servicing.

3. System Components & Compatibility

Package contains:

- B021-000-19-SH 1U Short-Depth Rackmount Console
- Mounting Hardware
- PS/2 Cable Kit
- USB to PS/2 Adapter
- AC Power Adapter
- Owner's Manual

The B021-000-19-SH supports most servers and KVM switches with USB console port connectors.

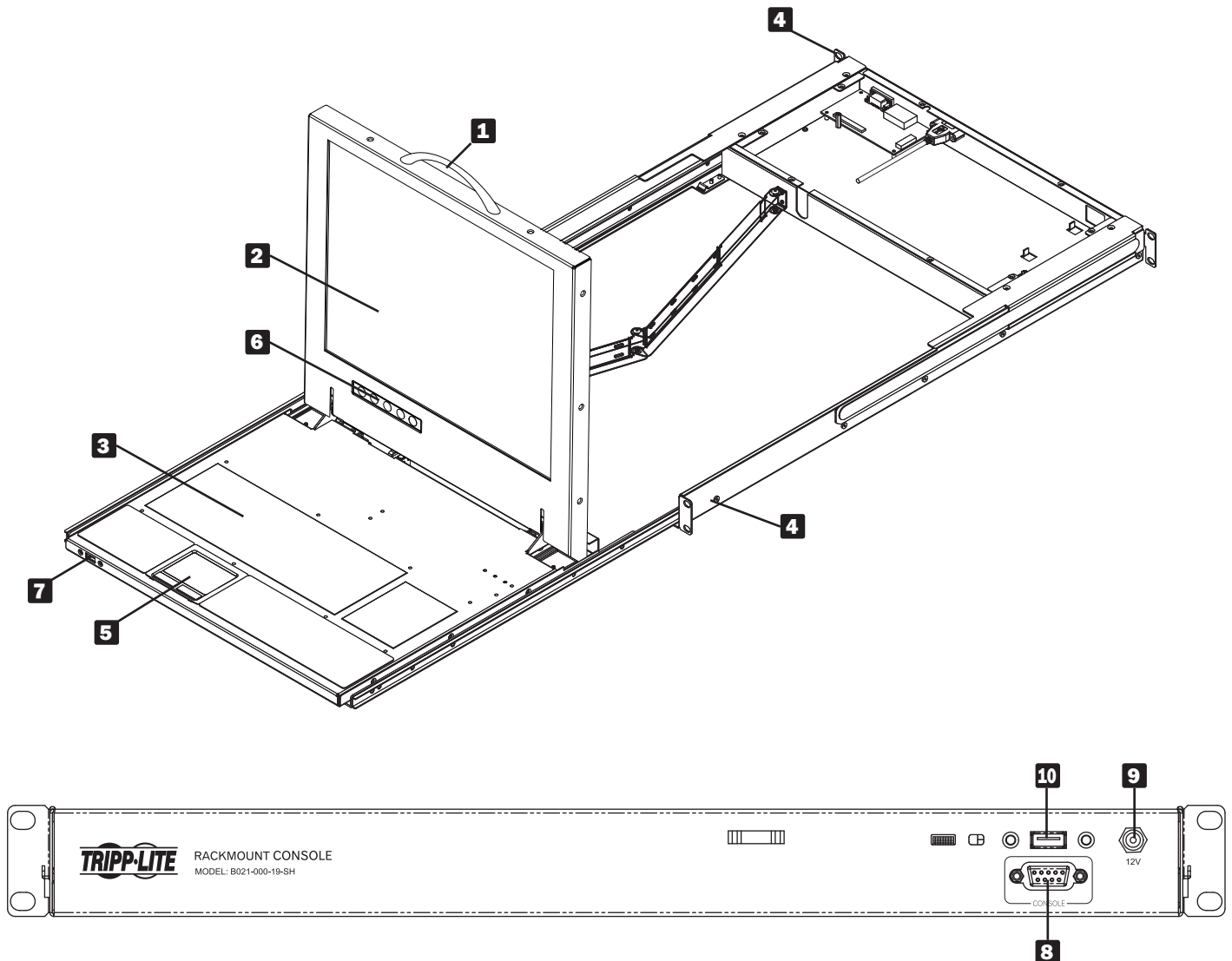
4. Features

Front View

- 1 Handle:** Pull to slide the module out; push to slide the module in.
- 2 LCD Monitor:** After sliding the module out, flip up the cover to access the LCD monitor, keyboard and touch pad.
- 3 Keyboard**
- 4 Rackmounting Brackets:** The brackets secure the chassis to a standard 19-inch rack or rack enclosure.
- 5 2-Button Touchpad:** Press the left button to left-click, press the right button to right-click. Scroll up and down the screen by running finger up or down the far right side of the touchpad.
- 6 Console and LCD Controls:** The controls located here include the console power On/Off button, and the buttons used to control the position and picture setting of the LCD display.
- 7 Pass-Through USB Port:** This port is inactive until a USB A Male/Male cable (Tripp Lite model URO20-Series) is used to connect the Pass-Through port on the back of the console to a USB port on a computer or KVM switch. When active, a USB device connected to the front of the console will then be available for use with the connected computer or KVM switch.

Rear View

- 8 Console Port Section:** Connects the console to your server or KVM switch with the included KVM cable kit.
- 9 Power Socket:** The included power adapter plugs in here.
- 10 Pass-Through USB Port:** This port is connected to the Pass-Through USB port on the front of the console. The front Pass-Through port is active when a USB A Male/Male cable (Tripp Lite model URO20-Series) is connected between the Pass-Through port on the back and a USB port on a KVM or server.



4. Features

Rackmounting

Tripp Lite's 1U Rackmount Console is designed for mounting in a 1U rack system. The various mounting options are explained in the sections that follow.

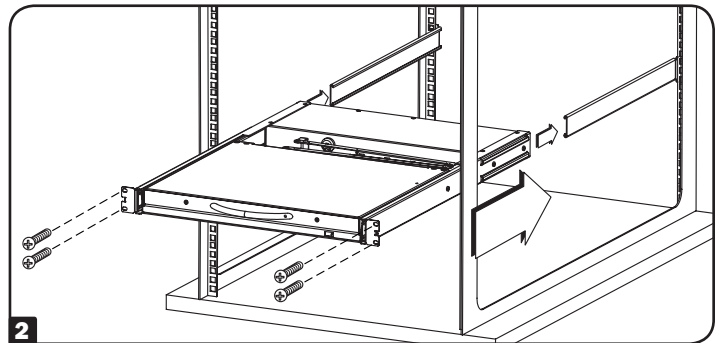
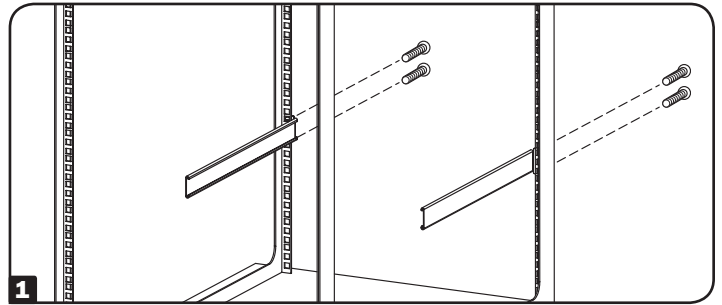
Standard 4-Post Rackmounting

The standard rackmounting brackets that come attached to the console allow it to be installed in standard 1U racks by a single individual.

- 1 Slide out the rear mounting brackets from the console and mount both brackets (separate from the console) to the inside rear of a standard 1U rack system using user-supplied screws.
- 2 Take the console and gently slide it into the two rear-mounted brackets in the rack and secure the console in place by inserting user-supplied screws.

2-Post Rackmounting

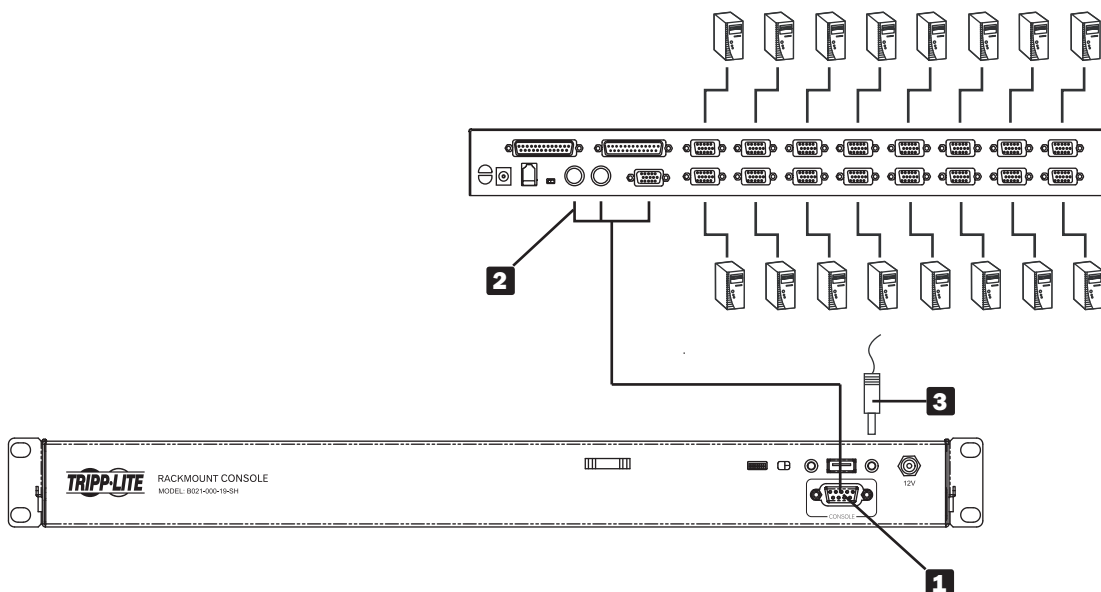
The console can also be mounted in a 2-post rack using the optional 2-Post Rackmount Kit (Tripp Lite model B019-000). The mounting hardware allows for the console to be opened with the drawer in any position. The kit provides added stability and prevents the console frame from twisting. See the B019-000 Owner's Manual for detailed mounting instructions.



5. Connection

Note: Diagram shows the B021-000-19-SH connecting to a Tripp Lite B022-016 KVM switch. If you are connecting to a different KVM or server, the console port connectors may be in a different location.

- 1 Plug the included cable kit into the port on the B021-000-19-SH.
- 2 Plug the keyboard, monitor and mouse connectors on the other end of the KVM cable kit into their corresponding ports on the server or KVM switch. For USB KVM switches or servers, use the included USB to PS/2 adapter to connect the server or KVM.
- 3 Plug the Power Adapter into the B021-000-19-SH's power socket and into an AC power source.
- 4 Power up your server or KVM installation.



6. Storage & Service

Storage

The Console must be stored in a clean, secure environment at a temperature of less than 104° F (40° C) and a relative humidity of less than 90% (noncondensing). If possible, store the console in its original shipping container.

Service

The Console is covered by the limited warranty described in this manual. For more information, call Tripp Lite Customer Service, 773.869.1234.

7. Specifications

Function	Specifications	
Connectors	Console	1 x HD15 male
	Power	1 x AC Adapter Port
Resolution	1366 x 768; DDC2B	
Environment	Operating Temperature: 32° - 122° F (0° - 50° C)	
	Storage Temperature: -4° - 140° F (-20° - 60° C)	
	Humidity: 0 - 80% RH Noncondensing	
Housing	Metal	
Weight	37 lb (16.7 kg)	
Dimensions (L x W x H)	19 x 17.25 x 1.75 inches (48.2 x 43.8 x 4.44 cm)	

8. Warranty & Product Registration

1-Year Limited Warranty

TRIPP LITE warrants its products to be free from defects in materials and workmanship for a period of one (1) year from the date of initial purchase. TRIPP LITE's obligation under this warranty is limited to repairing or replacing (at its sole option) any such defective products. To obtain service under this warranty, you must obtain a Returned Material Authorization (RMA) number from TRIPP LITE or an authorized TRIPP LITE service center. Products must be returned to TRIPP LITE or an authorized TRIPP LITE service center with transportation charges prepaid and must be accompanied by a brief description of the problem encountered and proof of date and place of purchase. This warranty does not apply to equipment, which has been damaged by accident, negligence or misapplication or has been altered or modified in any way.

EXCEPT AS PROVIDED HEREIN, TRIPP LITE MAKES NO WARRANTIES, EXPRESS OR IMPLIED, INCLUDING WARRANTIES OF MERCHANTABILITY AND FITNESS FOR A PARTICULAR PURPOSE. Some states do not permit limitation or exclusion of implied warranties; therefore, the aforesaid limitation(s) or exclusion(s) may not apply to the purchaser.

EXCEPT AS PROVIDED ABOVE, IN NO EVENT WILL TRIPP LITE BE LIABLE FOR DIRECT, INDIRECT, SPECIAL, INCIDENTAL OR CONSEQUENTIAL DAMAGES ARISING OUT OF THE USE OF THIS PRODUCT, EVEN IF ADVISED OF THE POSSIBILITY OF SUCH DAMAGE. Specifically, TRIPP LITE is not liable for any costs, such as lost profits or revenue, loss of equipment, loss of use of equipment, loss of software, loss of data, costs of substitutes, claims by third parties, or otherwise.

Product Registration

Visit www.tripplite.com/warranty today to register your new Tripp Lite product. You'll be automatically entered into a drawing for a chance to win a FREE Tripp Lite product!*

* No purchase necessary. Void where prohibited. Some restrictions apply. See website for details.

FCC Radio/TV Interference Notice

This equipment has been tested and found to comply with the limits for a Class A digital device, pursuant to part 15 of the FCC Rules. These limits are designed to provide reasonable protection against harmful interference when the equipment is operated in a commercial environment. This equipment generates, uses, and can radiate radio frequency energy and, if not installed and used in accordance with the instruction manual, may cause harmful interference to radio communications. Operation of this equipment in a residential area is likely to cause harmful interference in which case the user will be required to correct the interference at his own expense. The user must use shielded cables and connectors with this product. Any changes or modifications to this product not expressly approved by the party responsible for compliance could void the user's authority to operate the equipment.

Regulatory Compliance Identification Numbers

For the purpose of regulatory compliance certifications and identification, your Tripp Lite product has been assigned a unique series number. The series number can be found on the product nameplate label, along with all required approval markings and information. When requesting compliance information for this product, always refer to the series number. The series number should not be confused with the marketing name or model number of the product.

WEEE Compliance Information for Tripp Lite Customers and Recyclers (European Union)



Under the Waste Electrical and Electronic Equipment (WEEE) Directive and implementing regulations, when customers buy new electrical and electronic equipment from Tripp Lite they are entitled to:

- Send old equipment for recycling on a one-for-one, like-for-like basis (this varies depending on the country)
- Send the new equipment back for recycling when this ultimately becomes waste

Tripp Lite has a policy of continuous improvement. Specifications are subject to change without notice.



Manual del Propietario

Consola Rackmount de Poca Profundidad de 1U con Pantalla de 19" para Multiplexor KVM o Servidor

Modelo: B021-000-19-SH

(Número de serie: AGCB6533)

1. Introducción	7
2. Instrucciones de Seguridad Importantes	7
3. Componentes y Compatibilidad del Sistema	7
4. Características	8
5. Conexión	9
6. Almacenamiento y Reparaciones	10
7. Especificaciones	10
8. Garantía	10
English	1
Français	11



1111 W. 35th Street, Chicago, IL 60609 USA • www.tripplite.com/support

Copyright © 2015 Tripp Lite. Todos los derechos reservados.

1. Introducción

La consola rackmount de poca profundidad de 1U B021-000-19-SH cuenta con un panel LCD integrado, un teclado completo y touchpad en un gabinete que se puede instalar en rack de 1U. Está diseñada para ser utilizada con un servidor o un multiplexor KVM con conectores de puerto para consola USB o PS/2. El diseño compacto de la B021-000-19-SH permite instalarla en estantes de poca profundidad. Entre las características se incluyen:

- Consola rackmount que combina una pantalla LCD de 19", teclado y touchpad en gabinete rackmount integrado de 1U
- Modo de suspensión que se activa cuando la cubierta del monitor está cerrada
- Compatibilidad con resoluciones de hasta 1366 x 768 píxeles
- Posibilidad de utilizarse con un dispositivo que incluye conectores de puerto para consola PS/2 o USB
- Capacidad de instalación en estantes de una profundidad de tan solo 19".

2. Instrucciones de Seguridad Importantes



GUARDE ESTAS INSTRUCCIONES

Este manual contiene instrucciones y advertencias que deben seguirse durante la instalación y operación de este producto. Si no lo hace, podría invalidarse la garantía y provocar un serio daño a la propiedad o lesiones personales.

Advertencias para la Instalación

- Instale la consola en un entorno interior controlado, alejado de la humedad, temperaturas extremas, líquidos y gases inflamables, contaminantes conductores, polvo y luz solar directa.
- Opere la consola en temperaturas de interior entre 32° F y 104° F (0° C y 40° C).
- Cuando conecte la consola al circuito de fuente de alimentación, asegúrese de que el circuito no esté sobrecargado.

Advertencias para el Rackmount

- Asegúrese de que haya un flujo de aire adecuado dentro del rack.
- Instale la consola de manera pareja dentro del rack para eliminar condiciones de carga mecánica desigual potencialmente peligrosa.
- Asegúrese de que todo el equipo rackmount esté conectado a tierra de manera confiable.

Advertencias para la Conexión

- El uso de este equipo en aplicaciones de soporte de vida en donde la falla de este equipo pueda razonablemente hacer suponer que causará fallas en el equipo de soporte de vida o afecte significativamente su seguridad o efectividad, no está recomendado. No use este equipo en la presencia de una mezcla anestésica inflamable con aire, oxígeno u óxido nitroso.
- Asegúrese de que los cables utilizados con la consola no estén cerca de fuentes de interferencia de ruido eléctrico como luces fluorescentes, sistemas de climatización o motores.
- Asegúrese de que la distancia entre alguna computadora y la consola no supere los 33 pies (10m).

Advertencias sobre Mantenimiento

- La consola no requiere mantenimiento de rutina. Dentro no hay piezas que puedan ser reparadas por el usuario. La caja solo debe ser abierta por personal de servicio autorizado.
- Antes de efectuar las reparaciones, desconecte la unidad de la energía de entrada de CA.

3. Componentes y Compatibilidad del Sistema

Contenidos del embalaje:

- Consola rackmount de poca profundidad de 1U B021-000-19-SH
- Accesorios de instalación
- Juego de cables PS/2
- Adaptador USB a PS/2
- Adaptador CA
- Manual del propietario

La B021-000-19-SH admite la mayoría de los servidores y multiplexores KVM con conectores de puerto para consola USB.

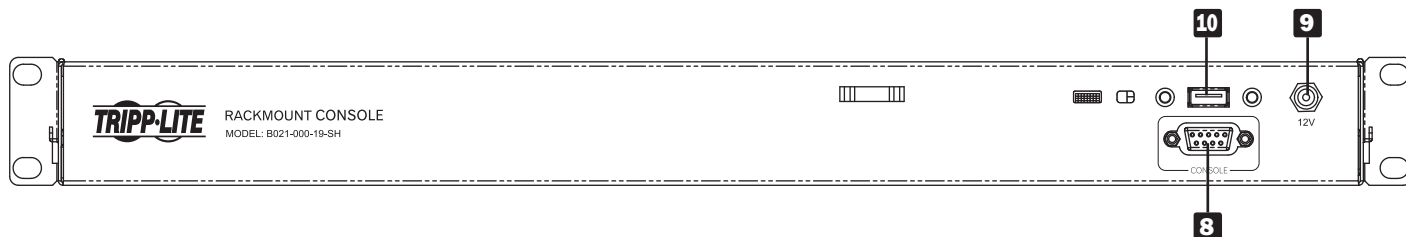
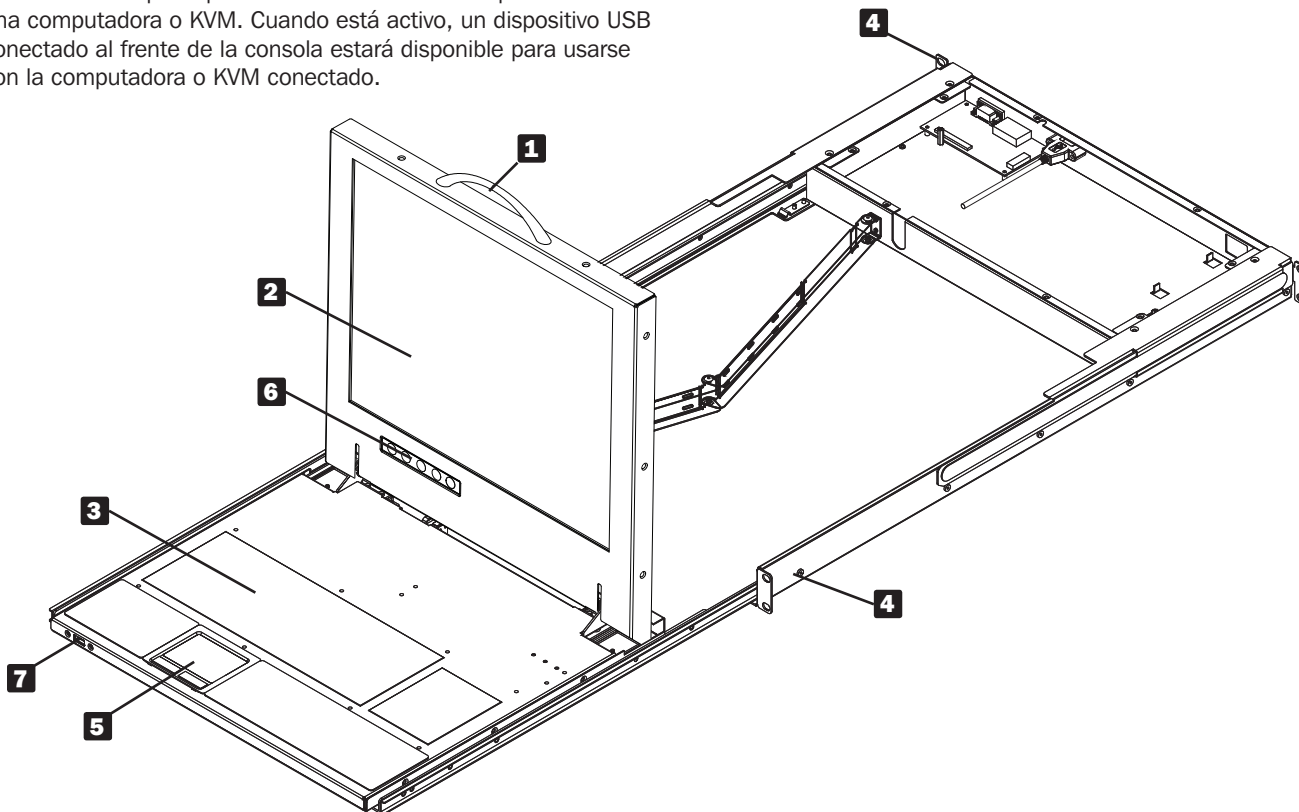
4. Características

Vista frontal

- 1 Manija:** tírela para deslizar y sacar el módulo; empújela para deslizar e introducir el módulo.
- 2 Monitor LCD:** después de deslizar y sacar el módulo, levante la tapa para poder acceder al monitor LCD, al teclado y al touchpad.
- 3 Teclado**
- 4 Soportes para monta en bastidor:** los soportes aseguran el chasis a un rack estándar de 19 pulgadas o estructura de rack.
- 5 Touchpad de 2 botones:** presione el botón de la izquierda para hacer la función del botón izquierdo del mouse, presione el botón de la derecha para la función del botón derecho del mouse. Desplácese hacia arriba y hacia abajo de la pantalla pasando el dedo hacia arriba o hacia abajo del extremo derecho del touchpad.
- 6 Controles de la consola y la pantalla LCD:** los controles que se encuentran aquí incluyen el botón de encendido/apagado de la consola y los botones que se utilizan para controlar el ajuste de la posición y la imagen de la pantalla LCD.
- 7 Puerto USB de Paso Directo:** Este puerto está inactivo hasta que se use un cable USB A Macho/Macho (Modelo Tripp Lite de la serie URO20) para conectar el puerto USB de Paso Directo localizado en la parte posterior de la consola a un puerto USB en una computadora o KVM. Cuando está activo, un dispositivo USB conectado al frente de la consola estará disponible para usarse con la computadora o KVM conectado.

Vista posterior

- 8 Sección de puerto de la consola:** Conecta la consola a su servidor o KVM con el kit de cables KVM incluidos.
- 9 Toma de alimentación:** Acá se enchufa el adaptador incluido.
- 10 Puerto USB de Paso Directo:** Este puerto está conectado al puerto USB de Paso Directo en el frente de la consola. El puerto de Paso Directo localizado al frente está activo cuando un cable USB A Macho/Macho (Modelo Tripp Lite de la serie URO20) es conectado entre el puerto de Paso Directo en la parte posterior y un puerto USB en un KVM o servidor.



4. Características

Montaje en bastidor

Consola para montar en rack 1U de Tripp Lite está diseñado para montarlo en un sistema de rack de 1U. En las secciones a continuación se explican las diversas opciones de montaje.

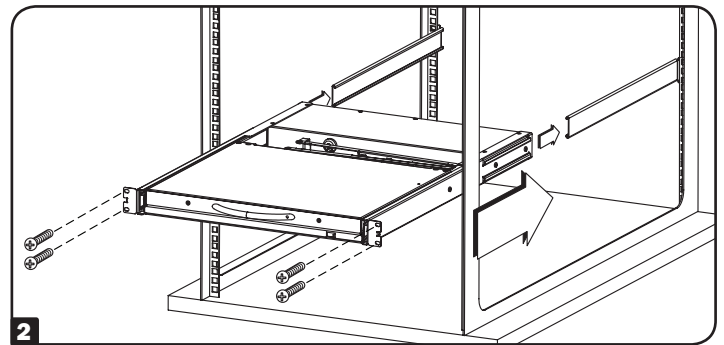
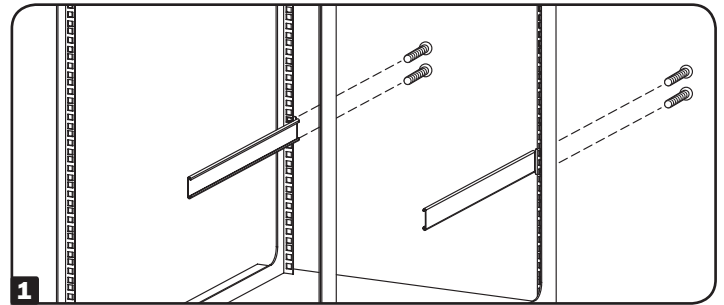
Montaje en bastidor de 4 postes estándar

Los soportes para montaje en bastidor estándar que vienen instalados en la unidad permiten ti pueda ser instalada por una sola persona en racks de 1U estándares.

- 1 Deslice y saque los soportes de montaje posteriores de la consola y monte ambos soportes (separados de la consola) en la parte posterior interna de un sistema de rack estándar de 1U utilizando tornillos provistos por el usuario.
- 2 Tome la consola y deslícela suavemente en los dos soportes montados en la parte posterior del rack y asegure la consola en su lugar insertando los tornillos suministrados por el usuario.

Montaje en bastidor de 2 postes

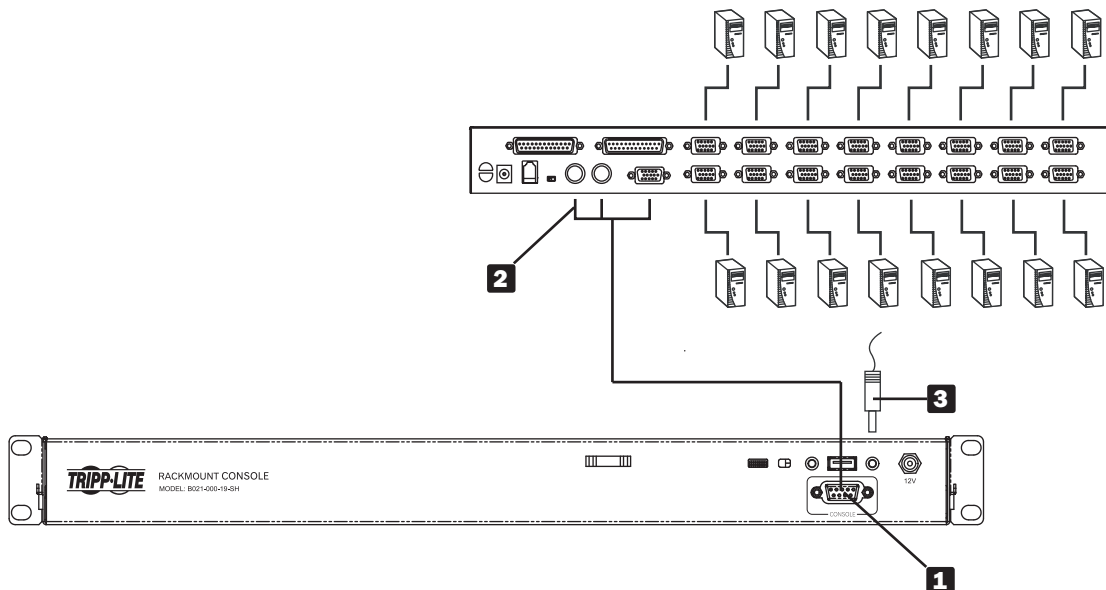
Consola para montar en rack 1U de Tripp Lite también puede montarse en un rack de 2 postes usando el kit opcional para montaje en bastidor de 2 postes (Modelo Tripp Lite B019-000). Los accesorios para montaje permiten que la consola pueda operarse con el cajón en cualquier posición. El kit proporciona mayor estabilidad e impide que la estructura del rack gire. Consulte el Manual de propietario B019-000 para obtener instrucciones detalladas de montaje.



5. Conexión

Nota: En el diagrama se muestra la B021-000-19-SH conectándose a un multiplexor KVM B022-016 Tripp Lite. Si va a realizar una conexión a un multiplexor KVM o servidor diferentes, puede que los conectores de puerto de la consola estén en una ubicación diferente.

- 1 Conecte el juego de cables que viene incluido en el puerto de la B021-000-19-SH.
- 2 Enchufe los conectores del teclado, monitor y mouse en el otro extremo del juego de cables KVM en sus puertos correspondientes en el servidor o KVM.
- 3 Conecte el adaptador en la toma de alimentación de la B021-000-19-SH y luego en una fuente de alimentación de CA.
- 4 Encienda su servidor o multiplexor KVM..



6. Almacenamiento y Reparaciones

Almacenamiento

La consola debe almacenarse en un ambiente limpio y seguro a una temperatura inferior a 104° F (40° C) y a una humedad relativa de menos de 90% (sin condensación). Si es posible, guarde la consola en su contenedor de envío original.

Reparaciones

La consola está cubierta por la garantía limitada que se describe en el presente manual. Para obtener más información, llame a Servicio al Cliente de Tripp Lite al 773.869.1234.

7. Especificaciones

Función	Especificaciones	
Conectores	Consola	1 x HD15 macho
	Energía	1 x puerto de adaptador
Resolución	1366 x 768; DDC2B	
Ambiente	Temperatura de operación: 32° - 122° F (0.5° - 50°C)	
	Almacenamiento Temperatura: -4° - 140° F (-20° - 60°C)	
	Humedad: 0 - 80% de HR sin condensación	
Housing	Metálico	
Gabinete	37 libras (16.7 kg)	
Dimensiones (Lar x An x Al)	19 x 17.25 x 1.75 pulgadas (48.2 x 43.8 x 4.44 cm)	

10. Garantía

Garantía Limitada por 1 Año

TRIPP LITE garantiza que sus productos están libres de defectos en materiales y mano de obra por un período de un (1) año a partir de la fecha de compra inicial. La obligación de TRIPP LITE bajo esta garantía está limitada o remplazada (a su entera opción) cualquiera de esos productos defectuosos. Para recibir servicio bajo esta garantía debe obtener un número de Autorización de Devolución de Mercancía (RMA) de Tripp Lite o de un Centro de Servicio Autorizado de TRIPP LITE. Los productos deben ser devueltos a TRIPP LITE o a un Centro de Servicio Autorizado de TRIPP LITE con los gastos de envío prepagados y debe estar acompañado con una breve descripción del problema encontrado y prueba del lugar y fecha de compra. Esta garantía no aplica a equipo que haya sido dañado por accidente, negligencia, mal uso o ha sido alterado o modificado en cualquier forma.

EXCEPTO POR LO ESTABLECIDO AQUI, TRIPP LITE NO EXPRESA OTRAS GARANTIAS QUE NO SEA LA GARANTIA EXPRESAMENTE ESTABLECIDA, INCLUYENDO TODAS LAS GARANTIAS DE MERCANTIBILIDAD O CONVENIENCIA, PARA UN PROPOSITO PARTICULAR Algunos estados no permiten limitaciones o exclusiones de garantías implícitas; de modo que las limitaciones o exclusion(es) de arriba puedan no aplicarse al comprador.

EXCEPTO POR LO ESTABLECIDO ARRIBA, EN NINGUN EVENTO TRIPP LITE SERA RESPONSIBLE DE DAÑOS DIRECTOS, INDIRECTOS, ESPECIALES, INCIDENTALES O CONSECUENTES DERIVADOS DEL USO DE ESTE PRODUCTO, AUN SI ES AVISADO DE LA POSIBILIDAD DE TALES DAÑOS. Específicamente, TRIPP LITE no es responsable de cualquier costo, tales como pérdidas de utilidades o ingresos, pérdida de equipos, pérdida de uso de equipo, pérdida de software, pérdida de datos, costo de sustituciones, reclamaciones de terceros o cualquier otra.

Cumplimiento de las normas de los números de identificación

Para fines de identificación y certificación del cumplimiento de las normas, su producto Tripp Lite tiene asignado un número de serie único. Puede encontrar el número de serie en la etiqueta de la placa de identificación del producto, junto con los símbolos de aprobación e información requeridos. Al solicitar información sobre el cumplimiento de las normas para este producto, siempre mencione el número de serie. El número de serie no debe ser confundido con el nombre de identificación ni con el número de modelo del producto.

Información de sobre Cumplimiento de la WEEE para Clientes de Tripp Lite y Recicladores (Unión Europea)



Según la Directiva de Residuos de Aparatos Eléctricos y Electrónicos (Waste Electrical and Electronic Equipment, WEEE,) y sus reglamentos, cuando los clientes compran nuevos equipos eléctricos y electrónicos a Tripp Lite, tienen derecho a:

- Enviar equipos antiguos para reciclaje según una base de uno por uno, entre productos similares (esto varía dependiendo del país)
- Enviar el equipo nuevo de vuelta para reciclaje cuando este se convierta finalmente en desecho

Tripp Lite tiene una política de mejoramiento continuo. Las especificaciones están sujetas a cambio sin previo aviso.



Manuel d'utilisateur

Console 1U pour baie de profondeur réduite avec écran de 19 po pour commutateur KVM ou serveur

Modèle: B021-000-19-SH

(Numéro de série : AGCB6533)

1. Introduction	12
2. Instructions de sécurité importantes	12
3. Composants du système et compatibilité	12
4. Caractéristiques	13
5. Connexion	14
6. Entreposage et réparations	15
7. Caractéristiques	15
8. Garantie	15
English	1
Español	6



1111 W. 35th Street, Chicago, IL 60609 USA • www.tripplite.com/support

Copyright © 2015 Tripp Lite. Tous droits réservés.

1. Introduction

La console B021-000-19-SH 1U de faible profondeur montée sur baie comporte un panneau LCD intégré, un clavier complet et un pavé tactile dans un support 1U pour baie. Elle est conçue pour l'utilisation avec un serveur ou à un commutateur KVM avec des connecteurs de port console PS/2 ou USB. Le design compact de B021-000-19-SH permet l'installation dans des enceintes de faible profondeur. Les caractéristiques incluent :

- La console pour baie combine un écran LCD de 19 pouces , clavier, pavé tactile dans un support 1U pour baie intégré
- Lorsque le protège- moniteur est fermé, le mode de veille est automatiquement activé
- Supporte des résolutions jusqu'à 1366 x 768 Pixel
- Peut être utilisé avec n'importe quel dispositif comprenant des connecteurs de port console PS/2 ou USB
- Montable sur baie dans des enceintes de profondeur aussi faible que 19 po.

2. Instructions de sécurité importantes



SAUVEGARDER CES INSTRUCTIONS

Ce manuel contient des instructions et des avertissements qui devraient être suivis pendant l'installation, l'utilisation de ce produit. Tout défaut de se conformer peut annuler la garantie et entraîner des dégâts matériels et/ou des blessures corporelles.

Avertissements d'installation

- Installer la console dans une atmosphère d'intérieur contrôlée, loin de toute humidité, températures extrêmes, liquides et gaz inflammables, contaminants conducteurs, poussière et de l'ensoleillement direct.
- Utiliser la console aux températures d'intérieur entre 32° F et 104° F (0° C et 40° C).
- Assurez-vous que le circuit n'est pas surchargé, lorsque vous connectez la console au circuit d'alimentation électrique.

Rackmount Warnings

- Assurer qu'il y a une circulation d'air adéquate dans la baie.
- Installer la console au sein de la baie de manière équilibrée afin d'éliminer des risques de chargements mécaniques inégaux.
- S'assurer que tout le matériel pour baie est relié à la terre.

Avertissements de connexions

- Il est déconseillé d'utiliser cet équipement dans des applications médicales où une panne de cet équipement pourrait normalement provoquer la panne de l'équipement de survie ou altérer notablement sa sécurité ou son efficacité. Ne pas utiliser cet équipement en présence d'un mélange anesthésique inflammable avec de l'air, de l'oxygène ou de l'oxyde nitreux.
- S'assurer que les câbles utilisés avec la console ne sont pas à proximité de sources de parasites d'origine électrique telle que les lumières fluorescentes, les systèmes ou moteurs de chauffage, d'aération ou de climatisation.
- S'assurer que la distance entre les ordinateurs et la console ne dépasse pas 33 pieds (10m). (10m).

Avertissements d'entretien

- La console ne nécessite pas d'entretien régulier. Il n'y a aucune pièce apte au service par l'utilisateur à l'intérieur. Quelle que soit la raison, seul le personnel de service autorisé devrait ouvrir le boîtier.
- Déconnecter l'unité de l'entrée alternative avant l'entretien.

3. Composants du système et compatibilité

Le module contient :

- Console B021-000-19-SH 1U pour baie de profondeur réduite
- Pièces de montage
- Kit de câble PS/2
- Adaptateur d'USB à PS/2
- Adaptateur CA
- Guide de l'utilisateur

B021-000-19-SH supporte la plupart des serveurs et commutateurs KVM avec connecteurs à port console USB.

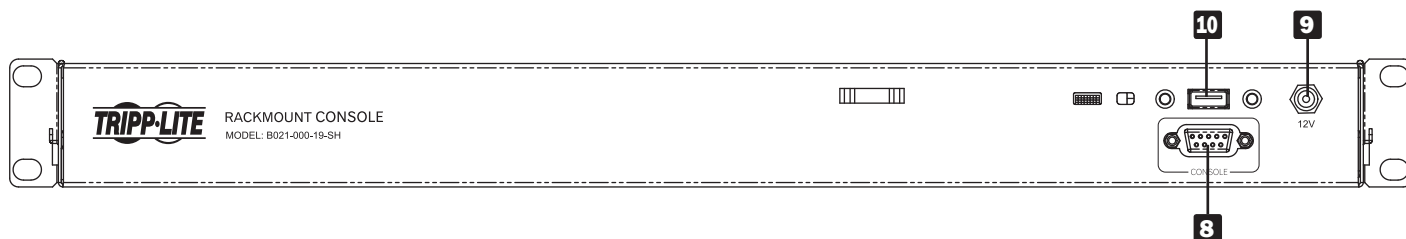
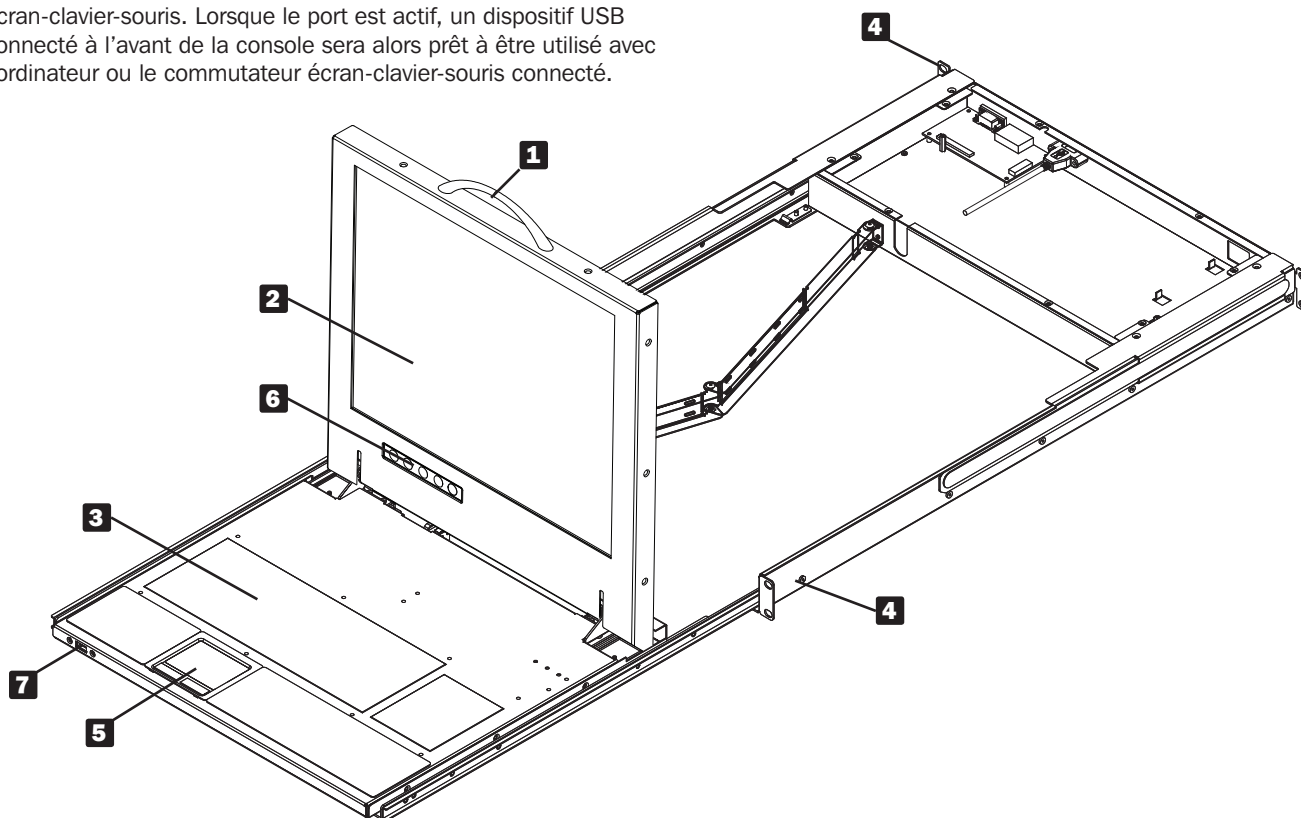
4. Caractéristiques

Vue avant

- 1 Poignée :** Tirez pour glisser le module vers l'extérieur ; poussez pour glisser le module à l'intérieur.
- 2 Écran ACL (à cristaux liquides) :** Après avoir retiré le module, retournez le couvercle pour avoir accès à l'écran ACL, au clavier et au bloc à effleurement.
- 3 Clavier**
- 4 Supports de montage en étagère :** Les supports gardent en place le châssis à une étagère de 19 po - 48,3 cm - ou le bâti de l'étagère.
- 5 Bloc à effleurement :** Appuyer sur le bouton gauche pour cliquer à gauche, appuyer sur le bouton droit pour cliquer à droite. Faire défiler l'écran de haut en bas en faisant parcourir le doigt en haut ou en bas du côté droit extrême du touchpad.
- 6 Commandes de la console et de l'ACL :** Les commandes situées ici comprennent le bouton marche/arrêt de la console et les boutons utilisés pour commander la position et réglage de l'image de l'écran ACL.
- 7 Port d'intercommunication USB :** Ce port est inactif jusqu'à ce qu'un câble mâle/mâle USB A (modèle Tripp Lite, série URO20) soit utilisé pour connecter le port d'intercommunication à l'arrière de la console à un port USB sur un ordinateur ou un commutateur écran-clavier-souris. Lorsque le port est actif, un dispositif USB connecté à l'avant de la console sera alors prêt à être utilisé avec l'ordinateur ou le commutateur écran-clavier-souris connecté.

Vue arrière

- 8 Section du port de console :** Connecte la console à votre serveur ou au KVM avec la trousse de câbles du KVM (incluse).
- 9 Prise d'alimentation :** L'adaptateur de courant inclus se branche ici.
- 10 Port d'intercommunication USB :** Ce port est connecté au port d'intercommunication USB sur le devant de la console. Le port d'intercommunication avant est actif lorsqu'un câble mâle/mâle USB A (modèle Tripp Lite, série URO20) est connecté entre le port d'intercommunication à l'arrière et un port USB sur un commutateur écran-clavier-souris ou un serveur.



4. Caractéristiques

Montage en étagère

Console à montage sur bâti 1U de Tripp Lite est conçu pour être monté sur un système d'étagère 1U. Les diverses options de montage sont expliquées dans les sections qui suivent.

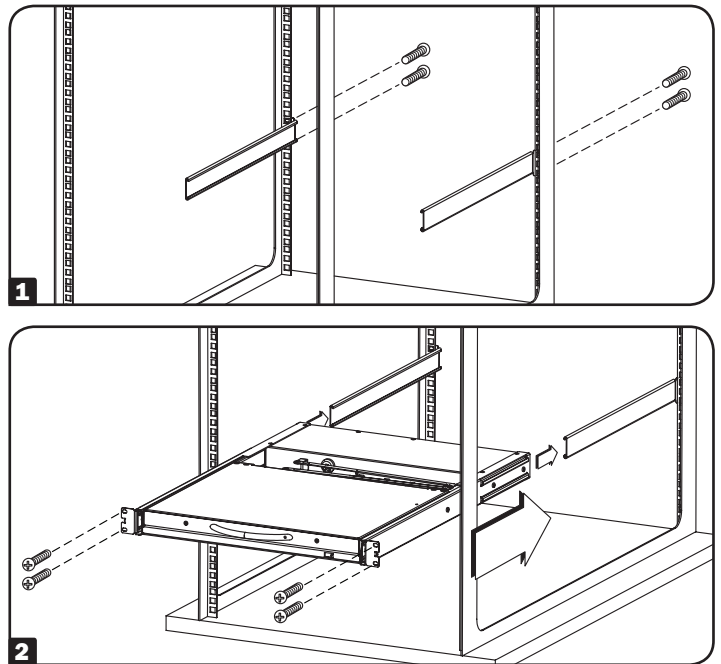
Montage standard en étagère à 4 poteaux

Les supports standard de montage en étagère qui viennent fixés au unité permet à l'appareil d'être installé dans des étagères standard 1U par une seule personne.

- 1 Glissez les supports arrière de montage vers l'extérieur de la console et montez les deux supports (séparés de la console) sur l'arrière intérieur d'un système de montage en étagère standard 1U à l'aide des vis fournies à l'utilisateur.
- 2 Prenez la console et glissez-la gentiment dans les deux supports montés à l'arrière dans l'étagère et fixez la console en place en insérant les vis fournies à l'utilisateur.

Montage en étagère à 2 poteaux

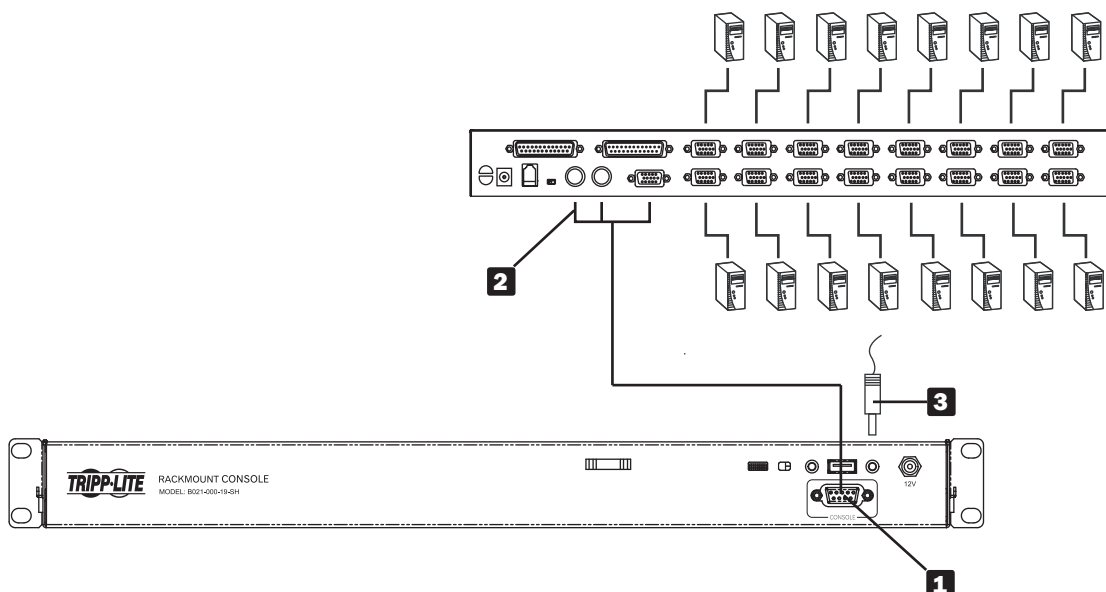
Console à montage sur bâti 1U de Tripp Lite peut également être monté dans une étagère à 2 poteaux en utilisant l'ensemble optionnel de montage en étagère à 2 poteaux (modèle Tripp Lite, B019-000). Le matériel de montage permet à la console d'être ouverte avec un tiroir dans n'importe quelle position. L'ensemble fournit une stabilité accrue et empêche au châssis de la console de tourner. Voir le Manuel du propriétaire B019-000 pour des instructions détaillées de montage.



5. Connexion

Note: Le schéma montre B021-000-19-SH connectée à un commutateur KVM B022-016 de Tripp Lite. Si vous connectez à un KVM ou à un serveur différent, les connecteurs de port console peuvent être situés dans un emplacement différent.

- 1 Brancher le kit de câblage inclus au port de B021-000-19-SH
- 2 Brancher les connecteurs du clavier, de l'écran et de la souris à l'autre extrémité de la trousse de câbles KVM dans leur port correspondant sur le serveur ou le commutateur écran-clavier-souris. Pour les commutateurs écran-clavier-souris USB ou serveurs, utiliser l'adaptateur d'USB à PS/2 pour connecter le serveur ou l'écran-clavier-souris.
- 3 Brancher l'adaptateur de courant dans la douille de B021-000-19-SH et à une source d'alimentation CA.
- 4 Allumez votre serveur ou installation KVM



6. Entreposage et réparations

Entreposage

La console doit être entreposée dans un environnement propre, sécurisé à une température inférieure à 104° F (40° C) et une hygrométrie de moins de 90% (sans condensation). Si possible, garder la console dans son emballage d'envoi d'origine.

Service

La console est couverte par la garantie limitée décrite dans ce manuel. Pour plus d'informations, contacter le service client Tripp Lite au 773.869.1234.

7. Caractéristiques

Fonction	Caractéristiques	
Connecteurs	Console	1 x HD15 male
	Mise sous tension	1 x Adaptateur Port CA
Résolution d'écran	1366 x 768; DDC2B	
Environnement	Température de fonctionnement : 32° - 122° F (0° - 50° C)	
Entreposage	Température: -4° - 140° F (-20° - 60° C)	
Humidité :	0 - 80% RH sans condensation	
Boîtier	Métal	
Poids	37 pounds (16.7 kg)	
Dimensions (Longueur x Largeur x Hauteur)	19 x 17.25 x 1.75 pouces (48.2 x 43.8 x 4.44 cm)	

8. Garantie

Garantie limitée de 1 an

TRIPP LITE garantit que ses produits seront libres de défauts de matériel et de main d'oeuvre pendant une période de un (1) an à compter de la date d'achat d'origine. L'obligation de TRIPP LITE selon cette garantie est limitée à la réparation ou au remplacement (à sa seule discrétion) de tels produits défectueux. Pour obtenir un service selon cette garantie, vous devez obtenir un numéro de "Renvoi de matériel autorisé" (RMA) de la part de TRIPP LITE ou d'un centre de réparation agréé de TRIPP LITE. Les produits doivent être renvoyés à TRIPP LITE ou à un centre de réparation agréé de TRIPP LITE avec les frais de transport prépayés et doivent être accompagnés d'une brève description du problème rencontré et de la preuve de la date et de l'endroit d'achat. Cette garantie ne s'applique pas à des machines qui auraient été endommagées par accident, négligence ou mauvaise utilisation ou qui auraient été altérées ou modifiées de quelque façon que ce soit.

SAUF COMME FOURNIES DANS LA PRÉSENTE, TRIPP LITE NE FAIT AUCUNE GARANTIE, EXPRIMÉE OU IMPLICITE, Y COMPRIS DES GARANTIES DE QUALITÉ MARCHANDE OU D'ADÉQUATION À UN BUT PARTICULIER. Certains États ne permettent pas la limitation ou l'exclusion de garanties implicites ; par conséquent, la(les) limitation(s) ou les exclusion(s) ci-dessus peut/peuvent très bien ne pas s'appliquer à l'acheteur.

SAUF COMME FOURNIES DANS LA PRÉSENTE, EN AUCUN CAS TRIPP LITE NE SERA CONSIDÉRÉ COMME RESPONSABLE POUR DES DOMMAGES DIRECTS, INDIRECTS, SPÉCIAUX, INCIDENTAUX OU PORTANT À CONSÉQUENCE, DÉCOULANT DE L'UTILISATION DE CE PRODUIT, MÊME SI AVISÉ DE LA POSSIBILITÉ DE TELS DOMMAGES. Plus spécialement, TRIPP LITE n'est pas responsable de quelque coût que soit, tels que perte de bénéfices ou recettes, perte d'équipements, perte d'utilisation d'équipement, perte de logiciel, perte de données, coûts de substituts, réclamations de tiers, et autrement.

Numéros d'identification de conformité aux règlements

À des fins de certification et d'identification de conformité aux règlements, votre produit Tripp Lite a reçu un numéro de série unique. Ce numéro se retrouve sur la plaque signalétique du produit, avec les inscriptions et informations d'approbation requises. Lors d'une demande d'information de conformité pour ce produit, utilisez toujours le numéro de série. Il ne doit pas être confondu avec le nom de la marque ou le numéro de modèle du produit.

L'information de conformité DEEE pour les clients de Tripp Lite et recycleurs (Union européenne)



Sous les directives et règlements de déchet d'équipements électrique et électronique (DEEE), lorsque les clients achètent le matériel électrique et électronique neuf de Tripp Lite ils sont autorisés à :

- Envoyer le vieux matériel pour le recyclage sur une base de un-contre-un et en nature (ceci varie selon le pays)
- Renvoyer le matériel neuf pour recyclage quand ceci devient éventuellement un rebut.

Tripp Lite mène une politique d'amélioration constante. Les spécifications sont sujettes à changement sans préavis.



1111 W. 35th Street, Chicago, IL 60609 USA • www.tripplite.com/support