

DESCRIPTION

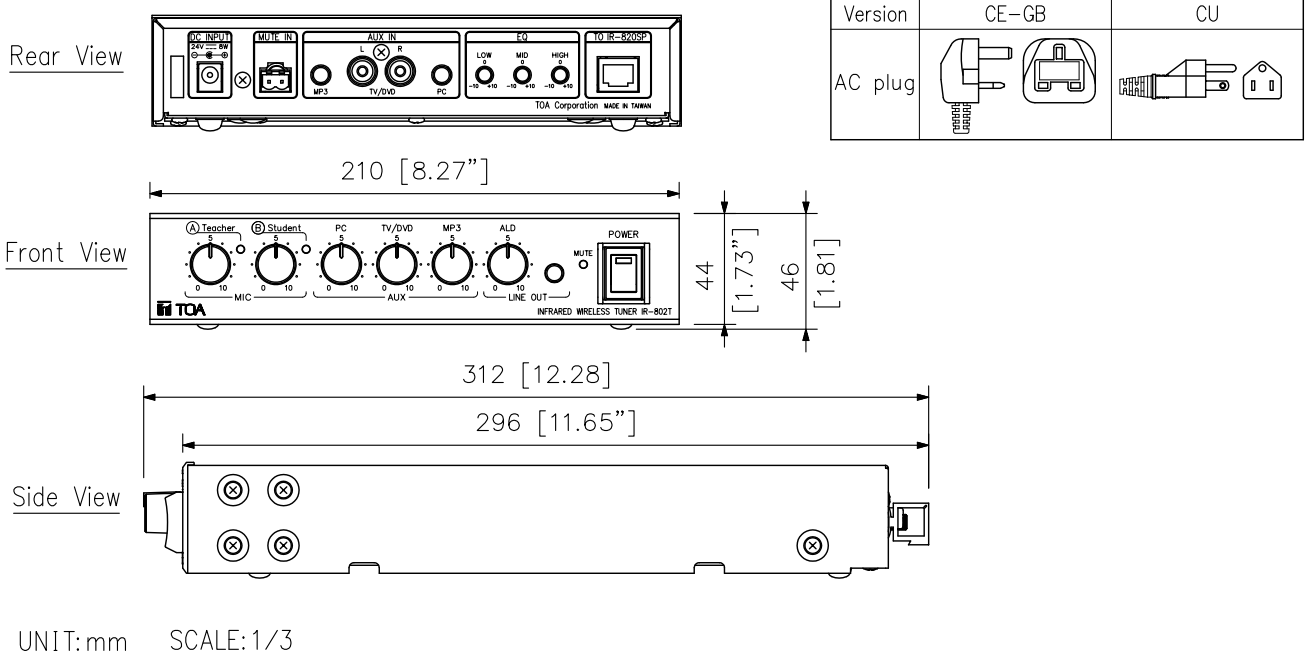
The Infrared Wireless Microphone System using this IR-802T is a PA system designed for use in the school classrooms assuming that their size is about 10 m × 10 m (30 ft × 30 ft). The IR-802T is a 2-channel Infrared Wireless Tuner employing a fixed frequency system with 3 AUX inputs. It is combined with an infrared wireless microphone and an infrared wireless speaker to make up the infrared wireless microphone system. The infrared wireless microphone system eliminates problems with interference or eavesdropping, allowing simultaneous use in adjacent school classrooms.

SPECIFICATIONS

* 0 dB = 1 V

Version	CE-GB	CU
Power Source	230 V AC, 50/60 Hz (supplied AC adapter must be used)	120 V AC, 50/60 Hz
Power Consumption	8 W (based on UL standards) Max. 40.8 W (rated output at IR-820SP)	
Receiving Frequency	Teacher (Channel A): 3.100 MHz Student (Channel B): 3.350 MHz	
Receiver Sensitivity	50 dB or more, Signal to Noise ratio (40 dB μ V input, 1 kHz modulation, \pm 4.8 kHz deviation)	
Signal to Noise Ratio	Tuner: 60 dB or more (60 dB μ V input, 1 kHz modulation, \pm 4.8 kHz deviation, A-weighted, Equalization: Centered) AUX: 75 dB or more (A-weighted, Equalization: Centered)	
Tone Squelch Frequency	32.768 kHz	
Input	AUX PC: line, -10 dB*, 10 k Ω , unbalanced, stereo mini jack (internal mixing) AUX DVD/TV: line, -10 dB*, 10 k Ω , unbalanced, 2P RCA jack (internal mixing) AUX MP3: line, -10 dB*, 10 k Ω , unbalanced, stereo mini jack (internal mixing) Mute: 25 V line signals of telephone paging from a school intercom system	
Output	ALD (Assistive Listening Device): line, -10 dB*, 10 k Ω , unbalanced, monaural mini jack Speaker: RJ45 (dedicated terminal for IR-820SP connection)	
Frequency Response	Tuner: 100 Hz - 12 kHz, AUX: 100 Hz - 20 kHz	
Equalization	High: \pm 10 dB at 10 kHz Mid: \pm 10 dB at 1.3 kHz Low: \pm 10 dB at 100 Hz	
Mute Function	Muted by 25 V line signals	
LED Indicator	Power (green) × 1, Infrared Reception (yellow) × 2, Mute (red) × 1	
Operating Temperature	-10 °C to +50 °C (14 °F to 122 °F)	
Operating Humidity	90 %RH or less (no condensation)	
Finish	Panel: Aluminum, black Case: Steel plate, black	
Dimensions	210 (W) × 46 (H) × 312 (D) mm (8.27" × 1.81" × 12.28")	
Weight	1.8 kg (3.97 lb)	
Accessory	AC adapter (DC cord length: 1.8 m (5.91 ft)) ---1, AC power cord (2m (6.56 ft)) ---1, Volume control cover ---6, Removable terminal plug (2 pins) ---1	
Option	Half width blank panel: MB-15B-BK	

APPEARANCE



DESCRIPTION

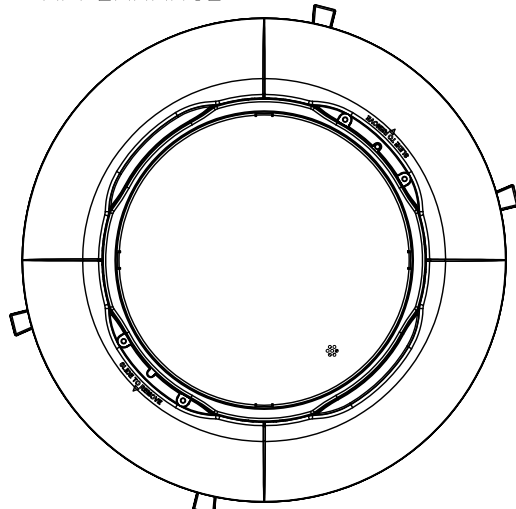
The Infrared Wireless Microphone System using this IR-820SP is a PA system designed for use in the school classrooms assuming that their size is about 10 m × 10 m (30 ft × 30 ft). The IR-820SP is a ceiling-mounted powered speaker with the infrared receiver and offers a wide frequency range of high-quality sound output. It features a digital amplifier for the amplification section, and a full-range speaker for the speaker section.

Use of the supplied mounting hardware and optional HY-TB1 Tile Bar Bridge permits it to be versatily mounted to match a wide range of applications and installation locations. This speaker is combined with an infrared wireless microphone and the IR-802T Infrared Wireless Tuner to make up the infrared wireless microphone system.

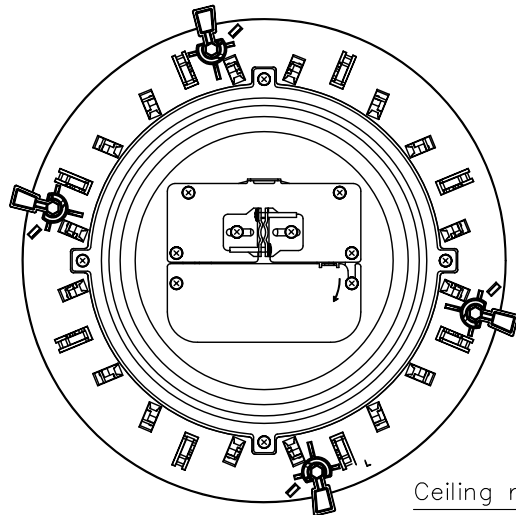
The infrared microphone system eliminates problems with interference or eavesdropping, allowing simultaneous use in adjacent school classrooms.

SPECIFICATIONS

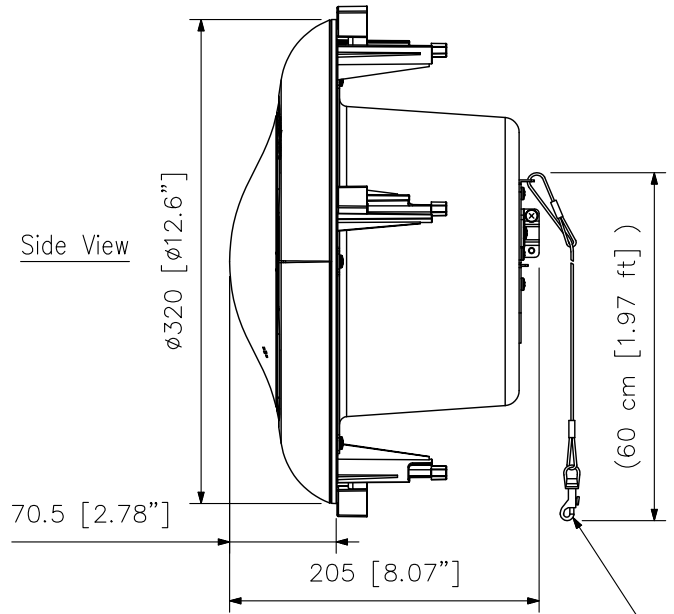
Power Source	24 V DC (supplied from IR-802T)
Power Consumption	4.4 W (based on UL standards)
Rated Output	20 W
Frequency Response	100 Hz - 20 kHz (-10 dB) at installation in 1/2 free sound field (Measured by installing the unit in the center of a ceiling.)
Amplification System	Class D
Distortion	5 % or less (rated output)
Speaker Component	12 cm (4.72") cone-type
Infrared Wireless Receiver	
Wavelength	870 nm
Carrier Frequency	Teacher (Channel A): 3.100 MHz Student (Channel B): 3.350 MHz
Reception Angle	360° (Horizontal)
Connection Terminal	RJ-45
LED Indicator	Power (green) × 1
Mounting Hole	ø300 mm (ø11.81")
Usage Cable	CAT-5 UTP
Operating Temperature	-10 °C to +50 °C (14 °F to 122 °F)
Operating Humidity	90 %RH or less (no condensation)
Finish	Enclosure: Steel plate, plating Baffle: Fire-resistant ABS resin (resin material grade: UL94V-0), white Punched net: Steel plate, white Filter section: Polycarbonate, optical cut filter
Dimensions	ø320 × 205 (D) mm (ø12.6" × 8.07")
Weight	3.4 kg (7.5 lb)
Accessory	Safety wire ×1, Ceiling reinforcement ring ×1, Paper pattern ×1
Option	Tile bar bridge: HY-TB1



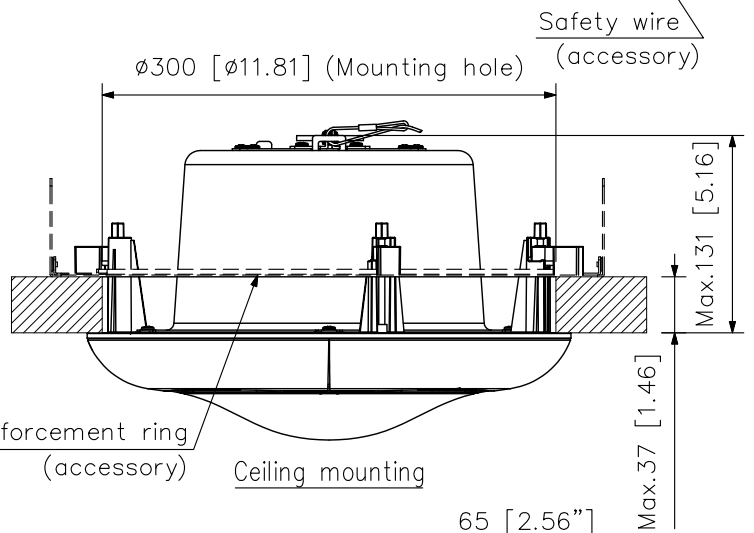
Front View



Rear View



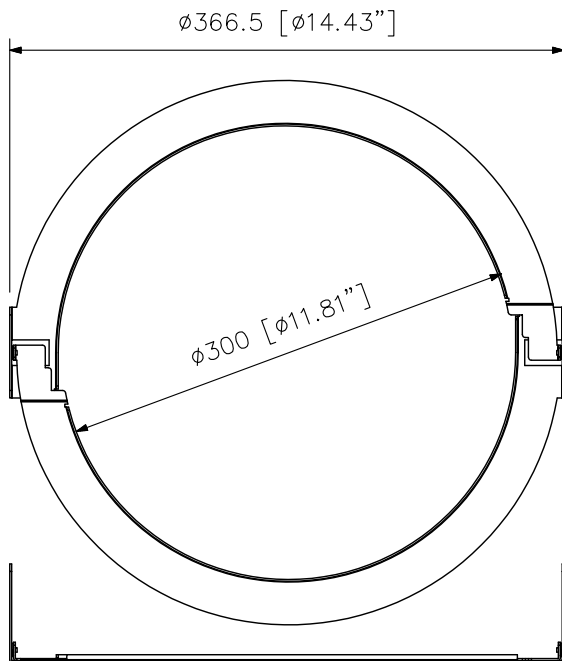
Side View



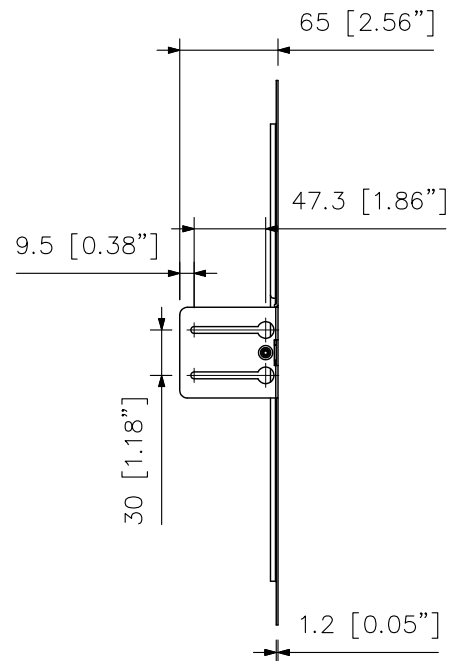
Safety wire (accessory)

Ceiling reinforcement ring (accessory)

Ceiling mounting



Ceiling reinforcement ring (accessory)



UNIT:mm SCALE:1/5 Note: The dimensions related to the antennas apply only to EA version of the Wireless sets.