

HY-WM1B

SPEAKER MOUNTING BRACKET

The HY-WM1B is used exclusively to mount the HX-5 series speaker system to a wall or ceiling. This bracket permits the speaker to be tilted downward up to 20° from the horizontal when the speaker is mounted on a wall, or tilted up to 20° from the vertical when the speaker is mounted on a ceiling. This bracket is designed for indoor use.



Order no: HY-WM1B

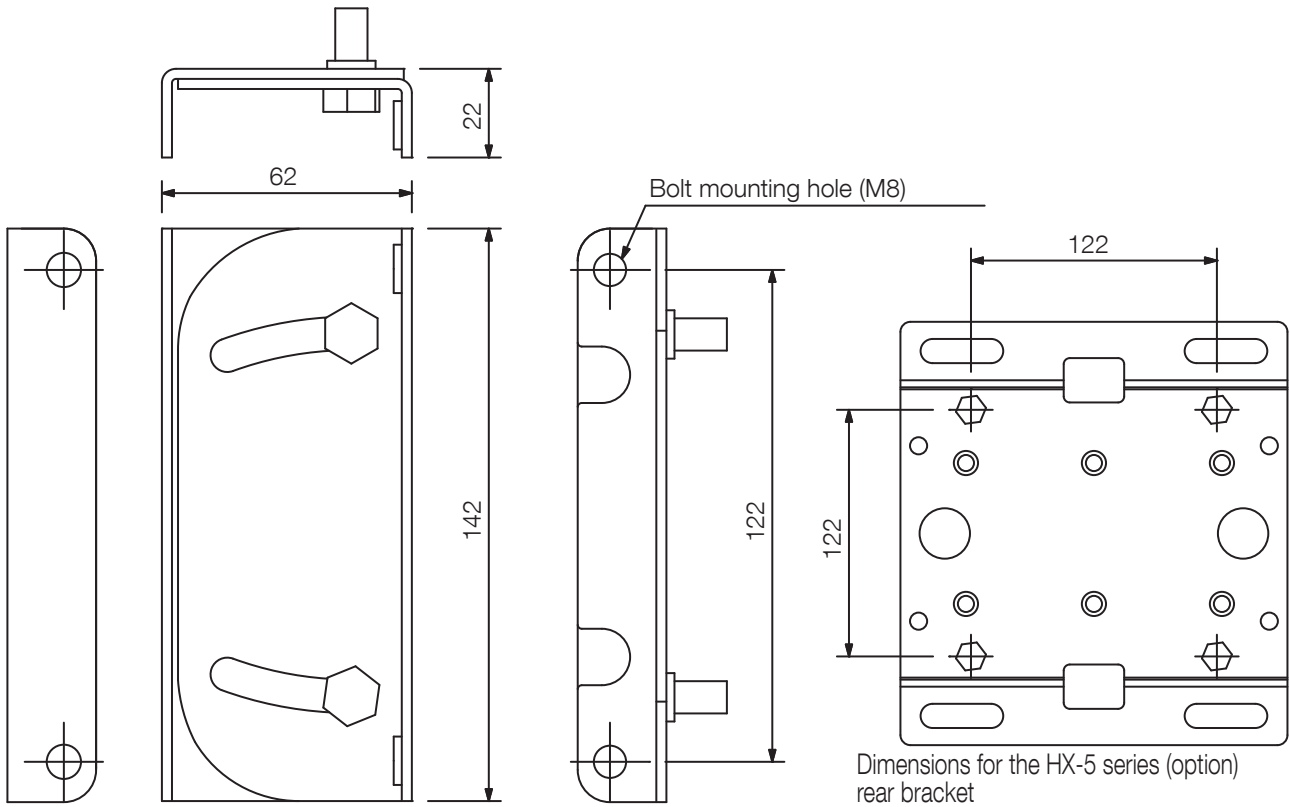
Specifications

Dimensions (W x H x D)	62 x 142 x 22 mm
Dimensions (ø x D)	x 22 mm
Finish	Steel plate, black

HY-WM1B

SPEAKER MOUNTING BRACKET

Appearance



Dimensions for the HX-5 series (option)
rear bracket

(scale: 1/4)