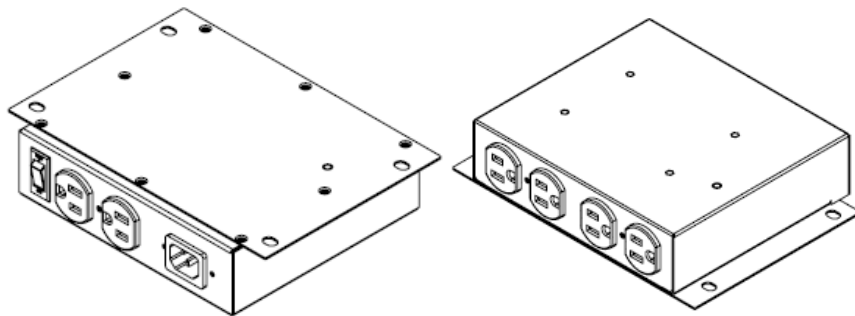




BASEPAK
COMPACT POWER DISTRIBUTION

Operating Manual





Switched IP Controllable Surge Protected PDU

ESP-BP-3C-126

I. Product Overview

The BasePak PDU is AC power distributor designed to be installed vertically or horizontally on any surface of a wall or table and are available to match global power requirements.

Model	Voltage	Current	Input Plug	Output Plug
ESP-BP-3C-126	125 V	12A	NEMA 5-15P 	6, NEMA 5-15R 

II. Installation

The BasePak is designed to be installed on a wall or table. Use the four pan head screws provided with the product to secure this PDU. These screws can be tightened by hand and do not require tools.

Connect power to the PDU by plugging the attached power cord 3ft into a properly wired and grounded supply outlet. The socket-outlet shall be installed near the equipment and shall be easily accessible.

Do not plug the unit into a relocatable power tap.

The maximum current rating of each individual outlet, and of the unit as a whole, must not exceed:

Model	Total Maximum Current	Maximum Current Per Outlet
ESP-BP-3C-126	12 A	12 A

Plug the equipment cords into the outlets as needed.

III. Indicators

Located on the front panel is a green LED Surge Protection Status.

When the LED is illuminated, there is AC power at the AC mains input to the product, and at each of the product's outlets.

When the LED is not illuminated, one of the following conditions is true:

- There is no power at AC mains input, or
- The supply outlet is mis-wired, with the Line and Neutral conductors reversed, or
- The supply voltage is too high (> 150V) and no Surge Protection and no power from PDU, or
- The input circuit breaker has tripped.

IV. Specifications

Parameter		Specification	
Voltage Rating	ESP-BP-3C-126	125V, 50/60Hz	
Load Rating	ESP-BP-3C-126	12A Total	
Power Control		On/Off Switch w/built-in 15A Circuit Breaker	
Power	Power Input	Input Connection Type	NEMA 5-15P
		Power Cord	3 FT SJT14AWGx3C
	Power Output	Output Connection Type	NEMA 5-15R
		Number of Outlet	6 (3 Duplex Outlets)
Electronical Rating		Voltage Compatibility	125 VAC
		Ampere Compatibility	12 A (Derated from 15A due to UL 60950-1 requirement)
		Frequency Compatibility	50/60 Hz
		Watts	1500 W
Overload Protection	ESP BP-3C-126	Circuit Breaker 15A	
Surge/Protection	Singel Stage Surge Protection (Fused 3 MOV in parallel)	150 VAC	
Indicators		1 x LED Surge Protection Status	
Dimensions		8.46" L x 6.15" D x 1.86" H / 21.49 cm L x 15.62 cm D x 4.72 cm H	
Material of Construction		Metal	
Style		Top case with built-in mounting brackets	
Agency Listings	UL/cUL	Certified to IEC 60950-1	