



OUTDOOR **WEATHERPROOF**



Designed to Handle the Harshest of Outdoor Environments!



- outdoor powder-coated
- electroplate
- steel



Durable Electroplating & Outdoor Powder-Coated Finish capable of enduring the harshest weather.
90H Salt Spray Tested

304 Military Grade Stainless Steel Screws for added protection against salt air corrosion.

CONTACT:

Starburst Technologies[®],
a division of PDI Communications Inc.

6353 W Rogers Circle, #6
Boca Raton, FL 33487
TF: 800-242-1606
Email: sales@starburstmounts.com
Web: www.starburstmounts.com

SB-3260ART-W

SB-3765ART-D-W

SB-3780WMT-W

OUTDOOR WEATHERPROOF



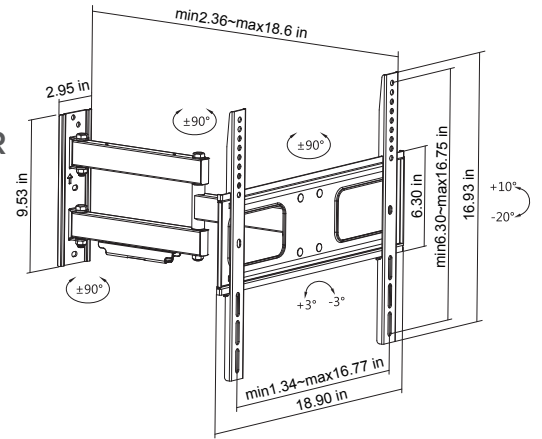
SB-3260ART-W

OUTDOOR WEATHER PROOF SERIES

single arm



COMING SOON



Specifications

Screen Size	Weight Capacity	VESA
32"-60"	50kg/110lbs	200x200 300x200 300x300 400x200 400x300 400x400
Profile to Wall	Tilt Range	Swivel Range
60-473mm/2.4"-18.6"	+10° - -20°	+90° - -90°
Screen Level	Curved TV	Strength Tested
+3° - -3°	Yes	Three Times



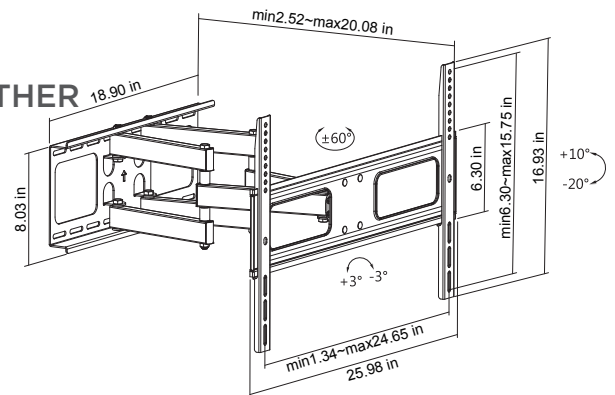
SB-3765ART-D-W

OUTDOOR WEATHER PROOF SERIES

dual arm



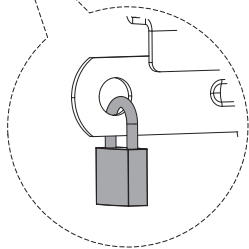
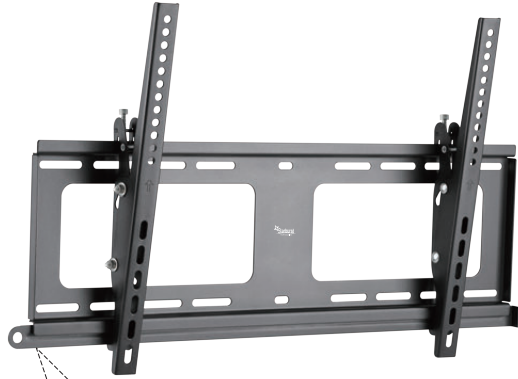
COMING SOON



Specifications

Screen Size	Weight Capacity	VESA
37"-65"	50kg/110lbs	200x200 300x200 300x300 400x200 400x300 400x400 600x400
Profile to Wall	Tilt Range	Swivel Range
64-510mm/2.5"-20.1"	+10° - -20°	+60° - -60°
Screen Level	Curved TV	Strength Tested
+3° - -3°	Yes	Three Times

OUTDOOR **WEATHERPROOF**



Anti-Theft Design
perfect for public places

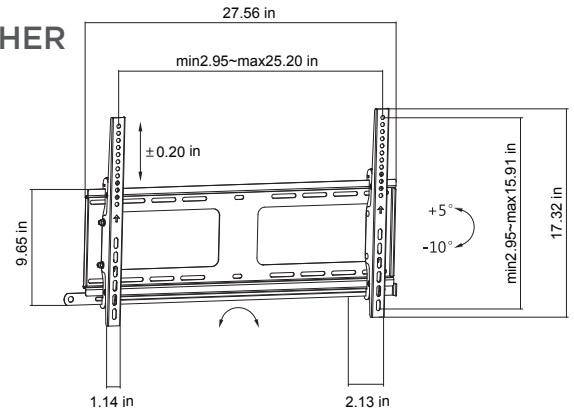
SB-3780WMT-W

OUTDOOR WEATHER
PROOF SERIES

FIXED-TILT



COMING SOON



Specifications

Screen Size	Weight Capacity	VESA
37"-80"	80kg/176lbs	200x200 300x200 300x300 400x200 400x300 400x400 600x400
Profile to Wall	Tilt Range	Anti-theft
54mm/2.1"	+5° - -10°	Yes
Screen Level	Curved TV	Strength Tested
+5° ~ -5°	Yes	Four Times