

# SONY®

## Wall-Mount Bracket

Installation Information	EN
Informations d'installation	FR
Información para la instalación	ES

Lea este manual antes de usar  
el producto

H-028-100-13(1)

# Installation Information for Using Sony Wall-Mount Bracket (SU-WL855)

## Supported models\*:

\* In the actual model names, the "x"/"xx" indicates numbers and/or characters specific to each model.

**FW-75BZ4xL / 75BZ3xL / 75EZ2xL / 65BZ4xL / 65BZ3xL / 65EZ2xL / 55BZ4xL / 55BZ3xL / 55EZ2xL**

**KD-75X7xL / 75X7xCL / 65X7xL / 65X7xCL / 55X7xL / 55X7xCL**

**XR-75X9xL / 75X9xCL / 65X9xL / 65X9xCL / 55X9xL**

## To Customers

For product protection and safety reasons, Sony strongly recommends that installation of your TV or LCD Display be performed by Sony dealers or licensed contractors. Do not attempt to install it yourself.

## To Sony Dealers and Contractors

Provide full attention to safety during the installation, periodic maintenance and examination of this product.

Sufficient expertise is required for installing this product, especially to determine the strength of the wall for withstanding the TV's or LCD Display's weight. Be sure to entrust the attachment of this product to the wall to Sony dealers or licensed contractors and pay adequate attention to safety during the installation. Sony is not liable for any damage or injury caused by mishandling or improper installation.

For Safety and proper installation, follow the Wall-Mount Bracket Operation Instructions, TV or LCD Display Setup Guide and the directions in this manual.

## Wall-Mount Bracket

### On Safety

Thank you for purchasing this product.

#### To Customers

**Installing the TV or LCD Display to the Wall**



#### WARNING

##### PROFESSIONAL INSTALLATION REQUIRED

This product should only be installed by a professional installer who is trained to determine the strength of the wall for withstanding the TV's or LCD Display's weight. If it is not properly secured during installation, the TV or LCD Display may fall and cause serious injury. Sony is not liable for any damage or injury caused by mishandling or improper installation, or installing any other than the specified product. Your Statutory Rights (if any) are not affected.

#### To Sony Dealers

Sufficient expertise is required for installing this product. Be sure to read this instruction manual thoroughly to do the installation work safely. Sony is not liable for any damages or injury caused by mishandling or improper installation. Please give this manual to the customer after installation.

This instruction manual shows the correct handling of the product and important precautions necessary to prevent accidents. It is your responsibility to read, thoroughly understand, and follow all instructions in this instruction manual. Failure to do so may result in serious personal injury or property damage, and may void the warranty. Keep this manual available for future reference.

Products by Sony are designed with safety in mind. If the products are used incorrectly, however, it may result in a serious injury through fire, electric shock, the product toppling over, or the product dropping. Be sure to observe the precautions for safety to prevent such accidents.



#### CAUTION

#### Specified products

This Wall-Mount Bracket is designed for use with the products specified TVs or LCD Displays. For TVs or LCD Displays, refer to their Reference Guide to verify that the Wall-Mount Bracket can be used.

#### To Customers



#### WARNING

If the following precautions are not observed, serious injury or death through fire, electric shock, or the product dropping can result.

#### Be sure to subcontract the installation to licensed contractors and keep small children away during the installation.

If the Wall-Mount Bracket or the TV or LCD Display is not installed correctly, the following accidents may occur. Be sure licensed contractors carry out installation.

- The TV or LCD Display may fall and cause a serious injury such as a bruise or a fracture.
- If the wall on which the Wall-Mount Bracket is installed is unstable, uneven, or not perpendicular to the floor, the unit may fall and cause injury or property damage. The wall should be capable of supporting a weight of at least six times the TV or LCD Display weight. (Refer to your TV's or LCD Display's Reference Guide for its weight.)
- If the installation of the Wall-Mount Bracket on the wall is not sufficiently sturdy, the unit may fall and cause injury or property damage.

#### Be sure to subcontract moving or dismantling of the TV or LCD Display to licensed contractors.

If persons other than licensed contractors transport or dismount the TV or LCD Display, it may fall and cause injury or property damage. Two or more persons (three or more persons for 189.3 cm (75 inches) and above TV or LCD Display) are needed to transport a large TV or LCD Display.

#### Do not remove screws, etc., after mounting the TV or LCD Display.

If you do so, the TV or LCD Display may fall and cause injury or property damage.

#### Do not make alterations to the parts of the Wall-Mount Bracket.

If you do so, the Wall-Mount Bracket may fall and cause injury or property damage.

#### Do not mount any equipment other than the specified product.

This Wall-Mount Bracket is designed for use with the specified product only. If you mount equipment other than specified, it may fall or break, and cause injury or property damage.

#### Do not apply any load other than the TV or LCD Display on the Wall-Mount Bracket.

#### Do not shake the TV or LCD Display left/right, up/down.

If you do so, the TV or LCD Display may fall and cause injury or property damage.

#### Do not lean on or hang from the TV or LCD Display.

Do not lean on or hang from the TV or LCD Display as it may fall on you and cause serious injury.



#### CAUTION

If the following precautions are not observed, injury or property damage may occur.

- Be careful to not pinch your fingers while handling the Wall-Mount Bracket or swiveling the TV or LCD Display.
- While swiveling the TV or LCD Display, handle it with caution and take care not to hit any people nearby.
- Be sure to store the unused parts in a safe place for future use. Keep them away from children.

#### Do not handle the product with excessive force during cleaning or maintenance.

Do not apply excessive force on the topside of the TV or LCD Display. If you do so, the TV or LCD Display may fall and cause injury or property damage.

#### Do not place this product close to medical devices.

This product (including accessories) has magnet(s) which may interfere with pacemakers, programmable shunt valves for hydrocephalus treatment, or other medical devices. Do not place this product close to persons who use such medical devices. Consult your doctor before using this product if you use any such medical device.

#### Keep out of the reach of children or the supervised individuals.

This product (including accessories) has magnet(s). Swallowing magnet(s) could cause serious harm, such as choking hazard or intestinal injuries. If magnets (or a magnet) were swallowed, consult a doctor immediately.

## Notice

- If you use the TV or LCD Display installed on the Wall-Mount Bracket for a long time, the wall behind or above the TV or LCD Display may become discolored or the wallpaper may come unstuck, depending on the material of the wall.
- If the Wall-Mount Bracket is removed after installing it on the wall, the screw holes are left.
- Do not use the Wall-Mount Bracket in a place where it is subjected to mechanical vibrations.

## Installing the Wall-Mount Bracket

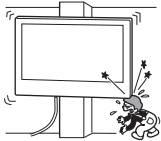
### To Sony Dealers

### WARNING

The following instructions are for Sony dealers only. Be sure to read safety precautions described above and pay special attention to safety during the installation, maintenance and checking of this product.

### Do not install the Wall-Mount Bracket on wall surfaces where the corners or the sides of the TV or LCD Display protrude away from the wall surface.

Do not install the Wall-Mount Bracket on wall surfaces such as a pillar, where the corners or the sides of the TV or LCD Display protrude away from the wall surface. If a person or object happens to hit the protruded corner or side of the TV or LCD Display, it may cause injury or property damage.

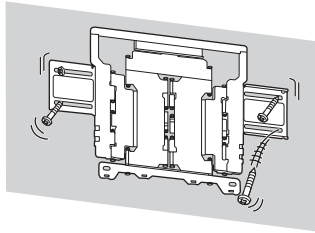
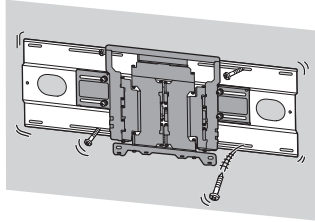


### Do not install the TV or LCD Display over or under an air-conditioner.

If the TV or LCD Display is exposed to water leaks or air current from an air conditioner for a long time, it may cause a fire, an electric shock or a malfunction of the TV or LCD Display.

### Be sure to install the Wall-Mount Bracket securely to the wall following the instructions in this instruction manual.

If any of the screws are loose or fall out, the Wall-Mount Bracket may fall and cause injury or property damage. Be sure to use the appropriate screws for the material of the wall and install the unit securely using supplied screws and anchors.



Be sure to use the supplied screws and attachment parts properly following the instructions given in this instruction manual. If you use substitute items, the TV or LCD Display may fall and cause bodily injury to someone or damage to the TV or LCD Display.

### Be sure to assemble the bracket properly following the instructed procedure explained in this instruction manual.

If any of the screws are loose or fall out, the TV or LCD Display may fall and cause bodily injury to someone or damage to the TV or LCD Display.

### Be sure to tighten the screws securely in the designated position.

If you fail to do so, the TV or LCD Display may fall and cause bodily injury to someone or damage to the TV or LCD Display.

### Be careful not to subject the TV or LCD Display to shock during installation.

If the TV or LCD Display is exposed to shock, it may fall or break apart. This may cause injury.

### Be sure to install the TV or LCD Display on a wall that is both perpendicular and flat.

If you fail to do so, the TV or LCD Display may fall and cause injury.

### After proper installation of the TV or LCD Display, secure the cables properly.

If people or objects get tangled with cables, this may result in injury or damage to the TV or LCD Display.

### Do not allow the AC power cord or the connecting cable to be pinched.

If the AC power cord or the connecting cable is pinched between the unit and the wall or is bent or twisted by force, the internal conductors may become exposed and cause a short circuit or an electrical break. This may cause a fire or an electric shock.



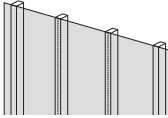
## Before Getting Started

- The TV or LCD Display illustrations shown in this manual are examples used to provide clear explanations of the operations. For this reason, the illustrations may appear different from your actual TV or LCD Display.

### What Is Your Wall Made Of?

Firstly, check the type of the wall to install the TV or LCD Display.  
The Wall-Mount Bracket differs depending on the type of the wall.

#### Dry wall with studs

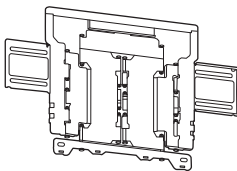
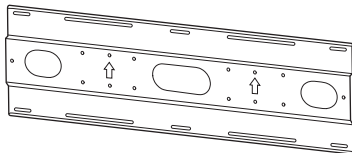


##### Precautions

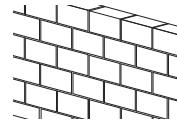
- Maximum dry wall thickness: 16 mm (21/32 inch).
- Ensure that the inner wood stud size is at least 51 mm × 102 mm (2 1/8 inch × 4 1/8 inch) for common or 38 mm × 89 mm (1 1/2 inch × 3 5/8 inch) for nominal.
- Keep minimum 406 mm (16 inch) horizontal space between fasteners.



Use the Lateral Shift Bracket.



#### Solid concrete or concrete block

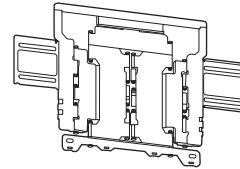


##### Precautions

- Mount the Wall-Mount Bracket directly onto the solid concrete wall.
- Ensure that the thickness of solid concrete wall is at least 203 mm (8 inch).
- Ensure that the size of each concrete block is at least 203 mm × 203 mm × 406 mm (8 inch × 8 inch × 16 inch).



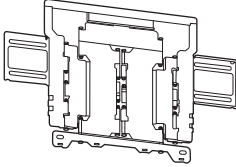

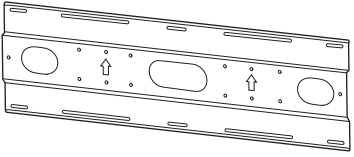






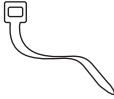

Use the Wall-Mount Bracket.





## Checking the Parts

### Supplied with SU-WL855

- Verify that all the parts are included.

<p><b>WM1</b> (x1)</p> 	<p><b>WM2</b> (x1)</p> 	<p><b>WM4</b> (x1)</p> 
<p><b>M6</b> (x4)</p>  <p>6 mm × 20 mm (1/4 inch × 13/16 inch)</p>	<p><b>WS1</b> (x4)</p>  <p>8 mm × 12 mm (11/32 inch × 1/2 inch)</p>	<p><b>WS2</b> (x6)</p>  <p>8 mm × 60 mm (11/32 inch × 2 3/8 inch)</p>
<p><b>WW1</b> (x6)</p> 	<p><b>WW2</b> (x4)</p> 	<p><b>WA1</b> (x4)</p> 
<p><b>WT1</b> (x6)</p> 	<p><b>WM3</b> (x4)</p> 	



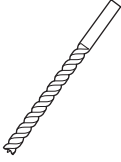
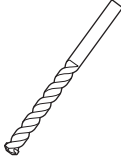
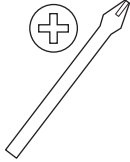
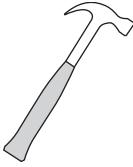
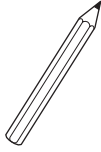
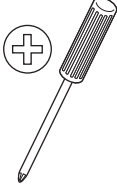
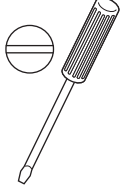
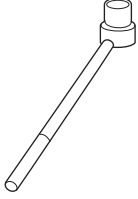

### Supplied with the TV or LCD Display

<p>Wall-Mount Attachment <b>VS</b> (x4)*</p> 	<p><b>M6L12</b> (x4)*</p> 
--	---

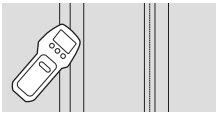
\* Only for limited region/country/model.

## Preparing for Installation

- Have the TV's or LCD Display's Reference Guide and Setup Guide at hand before installation.
- Confirm the installing position of your TV or LCD Display.
- Prepare the following tools:

<p>*1</p> 		  <p>5.5 mm (7/32 inch)      10 mm (13/32 inch)</p>	
<p>*2</p> 		 <p>1.5 N·m/1,5 N·m {15 kgf·cm}</p>	<p>*3</p>  <p>1.5 N·m/1,5 N·m {15 kgf·cm}</p>
<p>13 mm (1/2 inch)</p>  <p>12.5 N·m/12,5 N·m {130 kgf·cm}</p>			

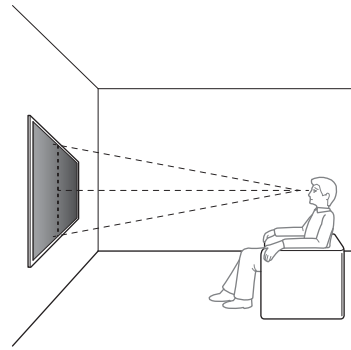
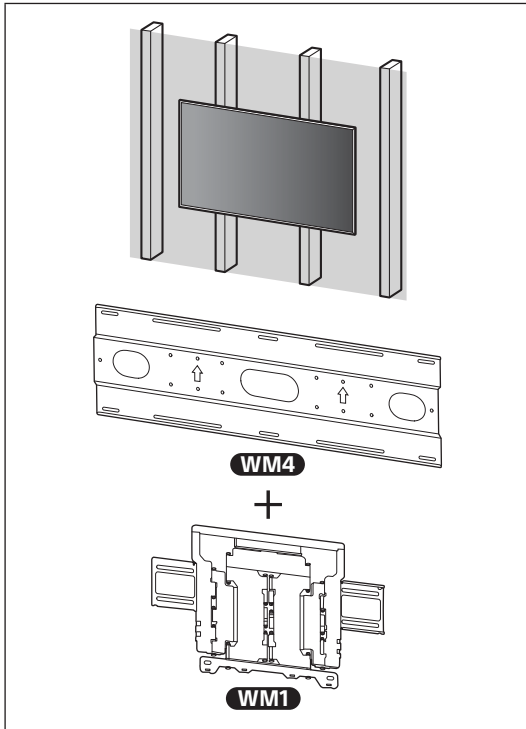
\*1 Only for dry wall with studs



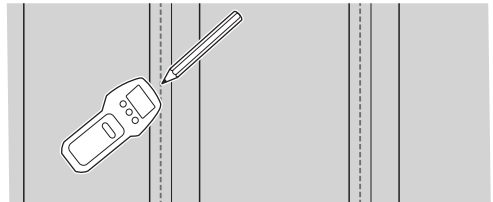
\*2 Only for solid concrete or concrete block

\*3 Depending on models

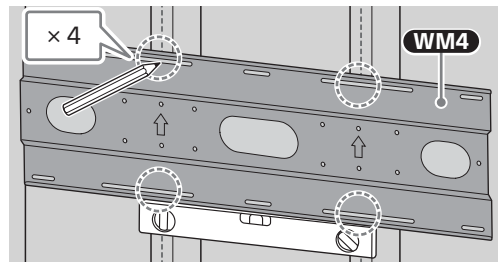
## A Attaching the Wall-Mount Bracket to the Dry Wall with Studs



2



3 Align **WM4** to the wall and make four marks aligned with the studs.

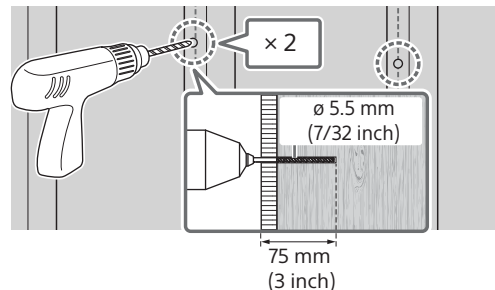


### Note

- Use a level to check whether **WM4** is level.

4 Drill upper pilot holes on the marks.

Make sure the location on the wall to drill the holes are strong enough to support a weight of at least six times that of the TV or LCD Display.



### Note

- Pilot holes must be drilled to a depth of 75 mm (3 inch), using a 5.5 mm (7/32 inch) diameter drill bit.

## Installing the Lateral Shift Bracket to the Wall

1 Decide on the installation location.

Make sure that the wall has enough space for the TV or LCD Display and is capable of supporting a weight of at least six times that of the TV or LCD Display.

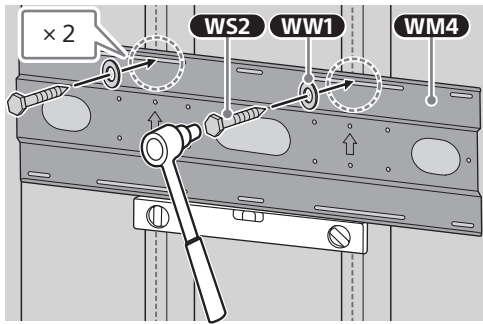
- Refer "Measurement for Lateral Shift Bracket installation on the wall" on page 24.
- Refer to your TV's or LCD Display's Reference Guide for the TV's or LCD Display's weight.

### Note

- When your TV or LCD Display is installed on the wall, the upper side of the TV or LCD Display slightly leans forward.
- We recommend you to check the position of TV or LCD Display in the viewing environment.



## 5 Install **WM4** on the wall.



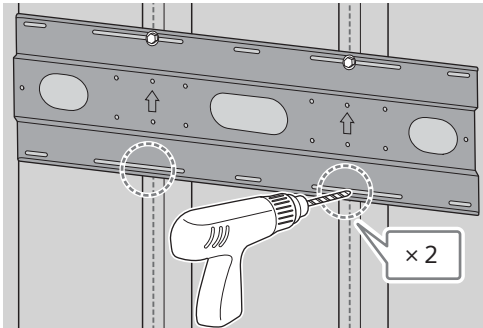
### Note

- Use a level to check whether **WM4** is level.

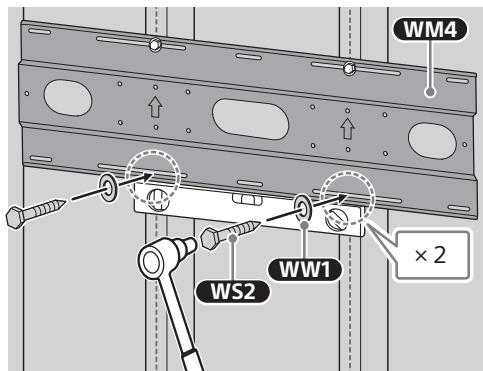
### Precaution

- Do not over-tighten the lag bolts **WS2**. Improper tightening could reduce the holding power of the lag bolts **WS2**.

## 6 Drill lower pilot holes on the marks. (Refer step 4 for the drill instruction.)



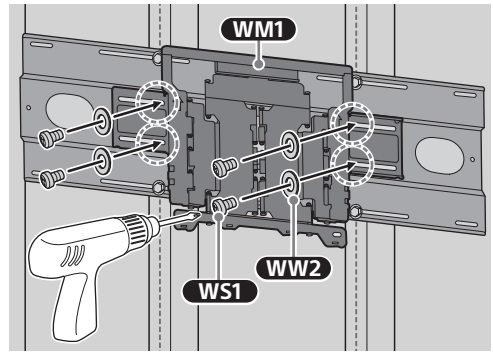
## 7 Fit the screws and spacers to the holes.



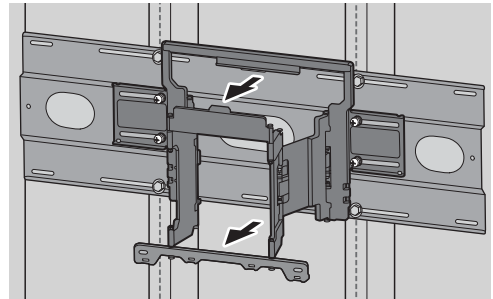
### Note

- Use a level to check whether **WM4** is level.

## 8



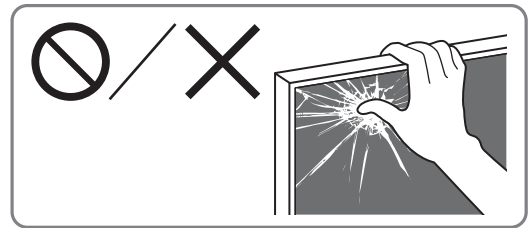
## 9 Pull out the arm of the bracket to the end.



## Preparing for the Installation of the TV or LCD Display

### Note

- Be sure to store the removed screws and unused parts in a safe place, keeping them away from children.

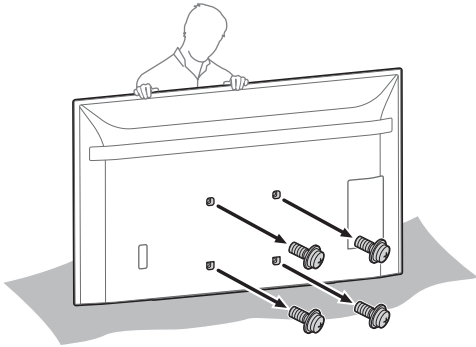


## Installing the TV or LCD Display to the Wall from Carton\*

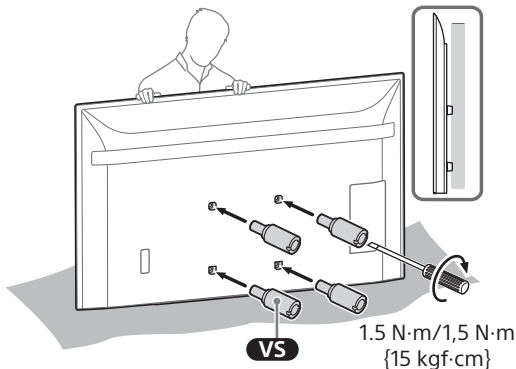
\* Only for limited region/country/model.

FW-75BZ40L / 75BZ35L / 75BZ30L / 75EZ20L /  
65BZ40L / 65BZ35L / 65BZ30L / 65EZ20L /  
55BZ40L / 55BZ35L / 55BZ30L / 55EZ20L only

- 1 Remove the screws from the rear of the TV or LCD Display.



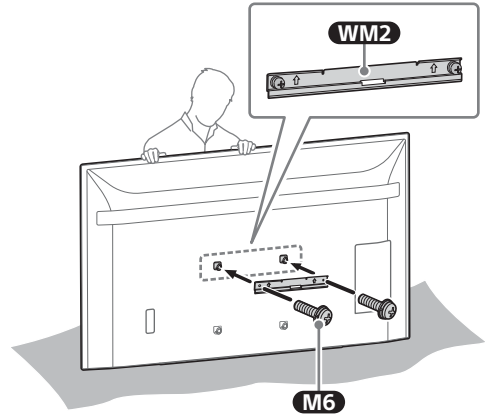
- 2 Attach the Wall-Mount Attachment **VS** (supplied with the TV or LCD Display) to the rear of the TV or LCD Display (to make it parallel with the wall).



### Note

- Be sure to fasten the Wall-Mount Attachment **VS** when attaching them to the TV or LCD Display. Use only a flat head screwdriver to install the Wall-Mount Attachment **VS**. Use of another tool might result in over torquing the Wall-Mount Attachment **VS** and damaging the TV or LCD Display.

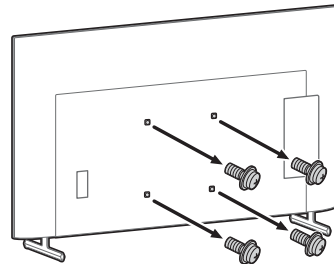
- 3 Attach **WM2** to the TV or LCD Display using **M6**.



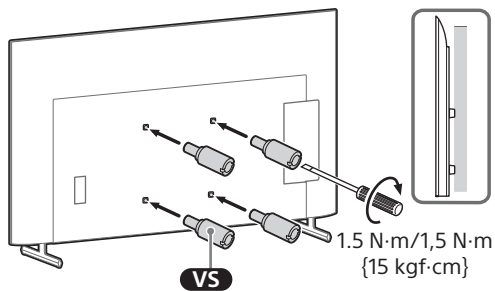
## Installing the TV or LCD Display to the Wall from Table-Top Stand\*

\* Only for limited region/country/model.

- 1 Attach the Table-Top Stand to make the TV or LCD Display standing.
  - Refer to your TV's or LCD Display's Setup Guide.
- 2 Remove the screws from the rear of the TV or LCD Display.



- 3** Attach the Wall-Mount Attachment **VS** (supplied with the TV or LCD Display) to the rear of the TV or LCD Display (to make it parallel with the wall).

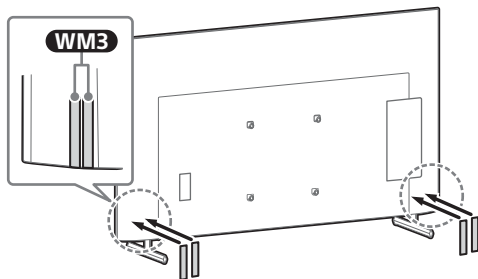


**Note**

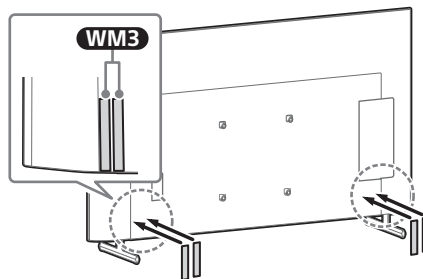
- Be sure to fasten the Wall-Mount Attachment **VS** when attaching them to the TV or LCD Display. Use only a flat head screwdriver to install the Wall-Mount Attachment **VS**. Use of another tool might result in over torquing the Wall-Mount Attachment **VS** and damaging the TV or LCD Display.

- 4** Attach **WM3**.

Except FW-75BZ40L / 75BZ35L / 75BZ30L / 75EZ20L / 65BZ40L / 65BZ35L / 65BZ30L / 65EZ20L / 55BZ40L / 55BZ35L / 55BZ30L / 55EZ20L, XR-75X90L / 75X90CL / 65X90L / 65X90CL / 55X90L



XR-75X90L / 75X90CL / 65X90L / 65X90CL / 55X90L only

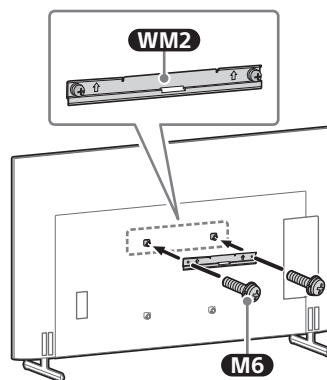


**Note**

- Do not attach **WM3** on the labels.

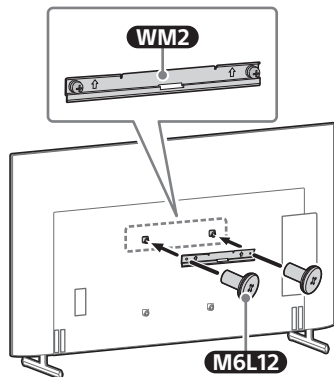
- 5** Except XR-75X90L / 75X90CL / 65X90L / 65X90CL / 55X90L

Attach **WM2** to the TV or LCD Display using **M6**.



**XR-75X90L / 75X90CL /  
65X90L / 65X90CL / 55X90L  
only**

Attach **WM2** to the TV or LCD Display using **M6L12** (supplied with the TV or LCD Display).

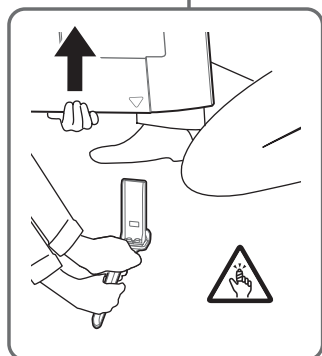
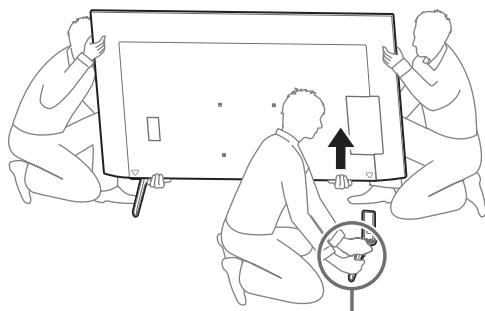


**6 Detach the Table-Top Stand from the TV or LCD Display.**

The following illustration is an example of the operation.

Except XR-75X90L / 75X90CL / 65X90L / 65X90CL / 55X90L

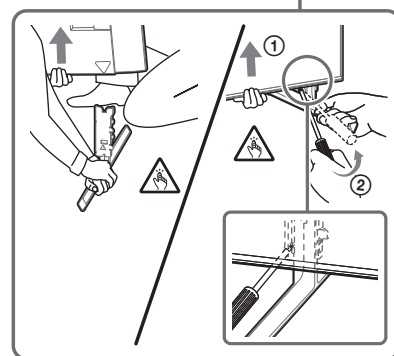
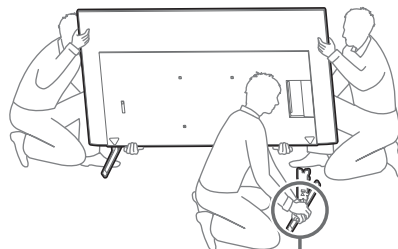
- Remove one side of the Table-Top Stand at a time. Firmly hold the Table-Top Stand securely with both hands while the other people lift up the TV or LCD Display.



- Repeat the previous step and remove the other side of the Table-Top Stand.

XR-75X90L / 75X90CL / 65X90L / 65X90CL / 55X90L only

- Remove one side of the Table-Top Stand at a time. Firmly hold the Table-Top Stand securely with both hands while the other people lift up the TV or LCD Display.

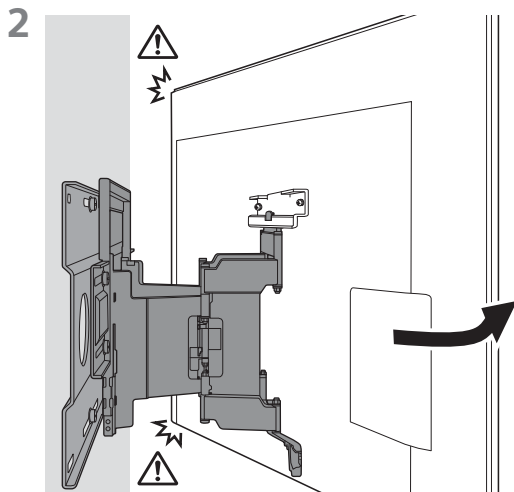
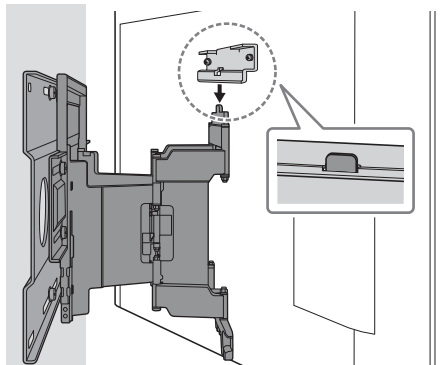
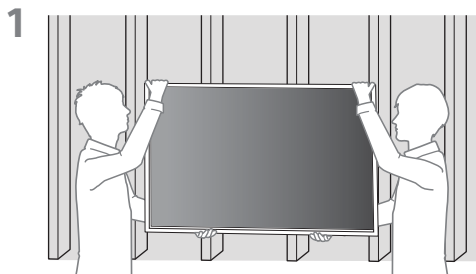
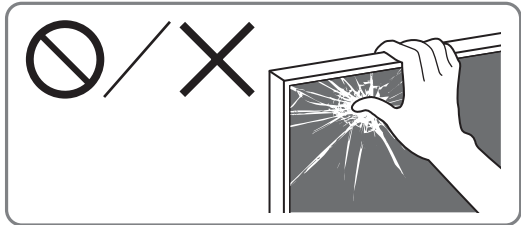


- Repeat the previous step and remove the other side of the Table-Top Stand.

**Note**

- Three or more people are required to detach the Table-Top Stand.
- Be careful not to use excessive force while detaching the Table-Top Stand from the TV or LCD Display as it may cause the TV or LCD Display to fall resulting in personal injury or physical damage to the TV or LCD Display.
- Take care when handling the Table-Top Stand to prevent damage to the TV or LCD Display.
- Be careful when lifting the TV or LCD Display as the Table-Top Stand is detached, the Table-Top Stand may topple over and cause personal injury.
- Take care when removing the Table-Top Stand from the TV or LCD Display to prevent it from falling over and damaging the surface that the TV or LCD Display is sitting on.

## Installing the TV or LCD Display on the Wall

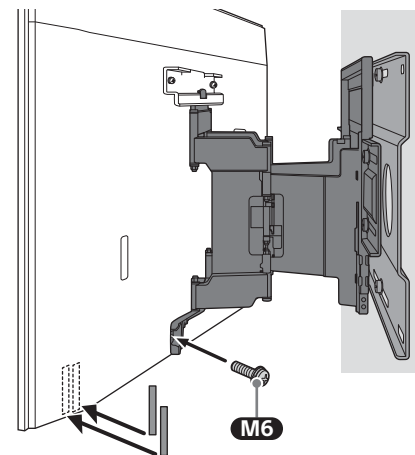
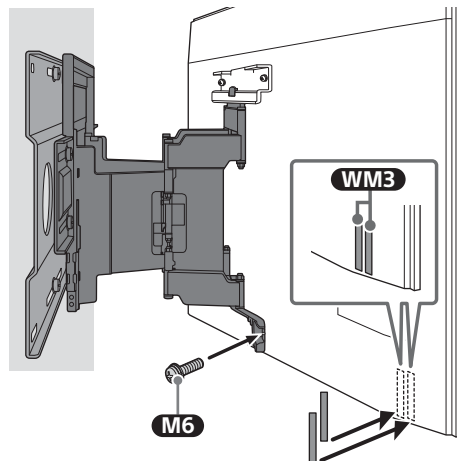


## 3 Screw the left and right side of the Wall-Mount Bracket.

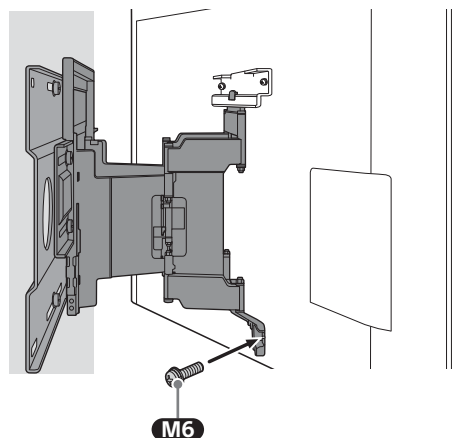
FW-75BZ40L / 75BZ35L / 75BZ30L /  
75EZ20L / 65BZ40L / 65BZ35L / 65BZ30L /  
65EZ20L / 55BZ40L / 55BZ35L / 55BZ30L /  
55EZ20L only

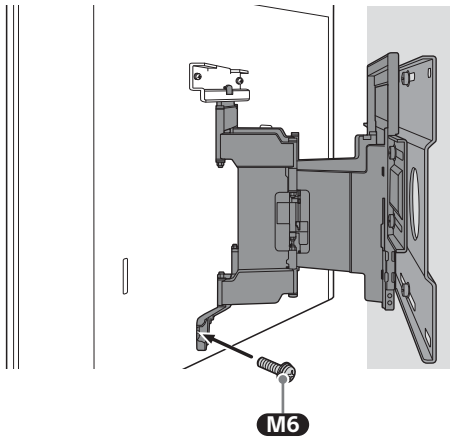
### Note

- Do not attach **WM3** on the labels.

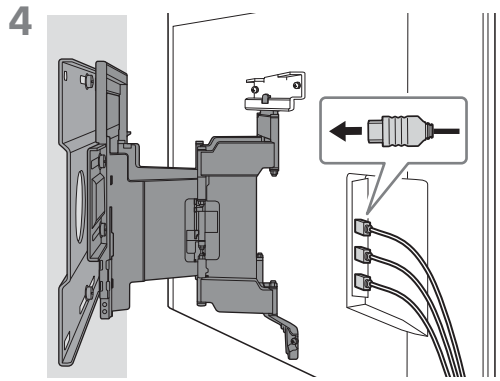
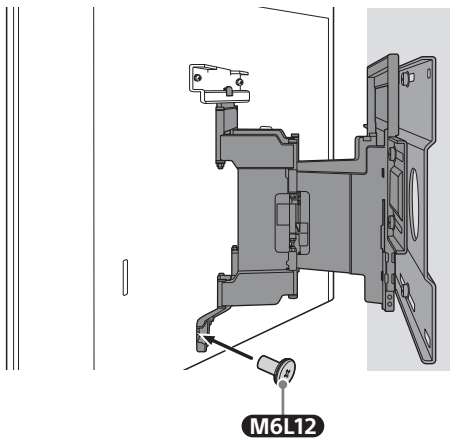
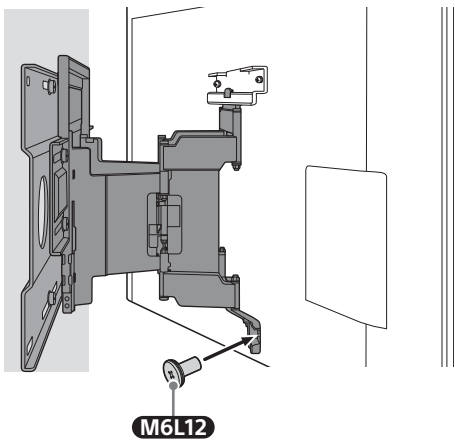


KD-75X77L / 75X77CL / 65X77L / 65X77CL /  
55X77L / 55X77CL only

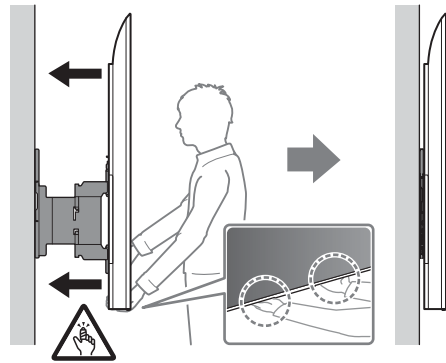




XR-75X90L / 75X90CL / 65X90L / 65X90CL / 55X90L only

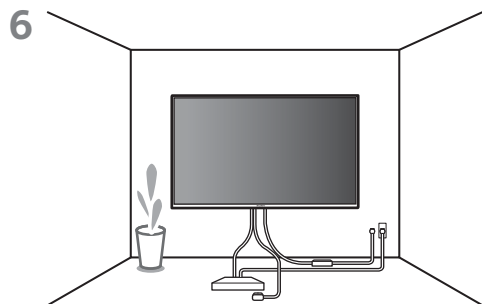


**5** When moving the TV or LCD Display, hold it firmly from the bottom.



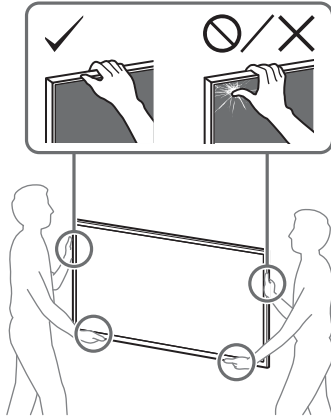
**Note**

- The TV or LCD Display may not move near close to the wall depending on the type and number of cables attached. This is not a malfunction.



### WARNING

- Two or more persons (three or more persons for 189.3 cm (75 inches) and above TV or LCD Display) are needed to transport a large TV or LCD Display.



## Confirming the Completion of the Installation

Check the following points.

- The cord and the cable are not twisted or pinched.

### WARNING

- Improper placement of the AC power cord, etc. may cause fire or electric shock through a short circuit. Be sure to confirm the completion of the installation for safety.

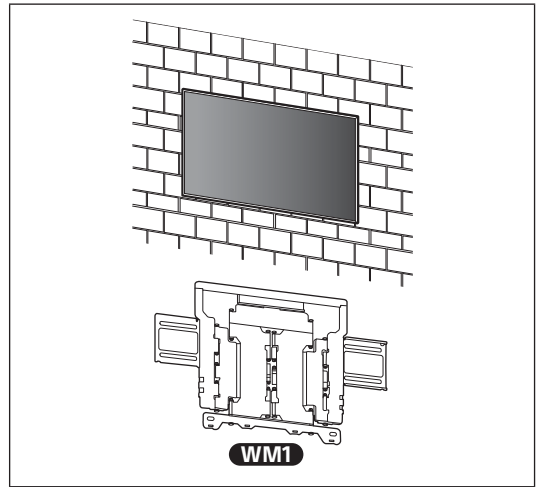
## Other Information

When removing the TV or LCD Display, reverse the previous installation procedure.

### WARNING

- Two or more persons (three or more persons for 189.3 cm (75 inches) and above TV or LCD Display) are needed to transport a large TV or LCD Display.

## B Attaching the Wall-Mount Bracket to the Solid Concrete or Concrete Block



EN

## Installing the Wall-Mount Bracket to the Wall

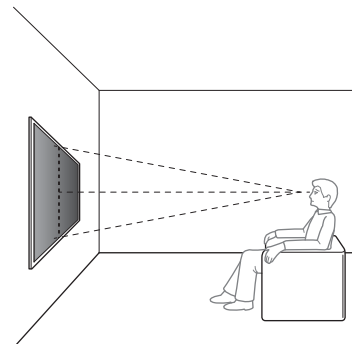
### 1 Decide on the installation location.

Make sure that the wall has enough space for the TV or LCD Display and is capable of supporting a weight of at least six times that of the TV or LCD Display.

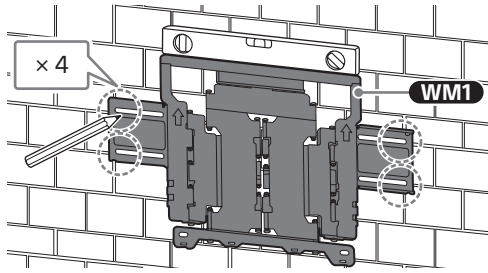
- Refer "Measurement for Wall-Mount Bracket installation on the wall" on page 26.
- Refer to your TV's or LCD Display's Reference Guide for the TV's or LCD Display's weight.

### Note

- When your TV or LCD Display is installed on the wall, the upper side of the TV or LCD Display slightly leans forward.
- We recommend you to check the position of TV or LCD Display in the viewing environment.



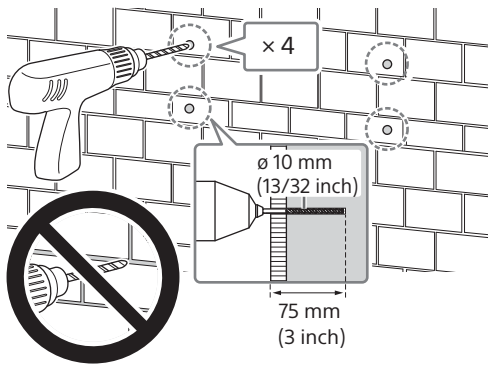
2 Align **WM1** to the wall and make four marks.



**Note**

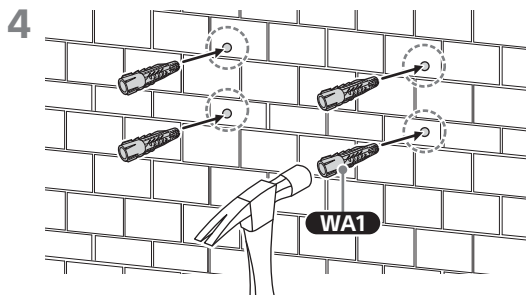
- Use a level to check whether **WM1** is level.

3 Drill pilot holes on the marks. Make sure the location on the wall to drill the holes are strong enough to support a weight of at least six times that of the TV or LCD Display.

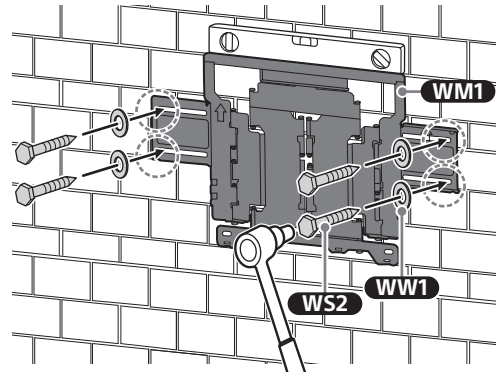


**Note**

- Pilot holes must be drilled to a depth of 75 mm (3 inch), using a 10 mm (13/32 inch) diameter drill bit.



5 Install **WM1** on the wall.



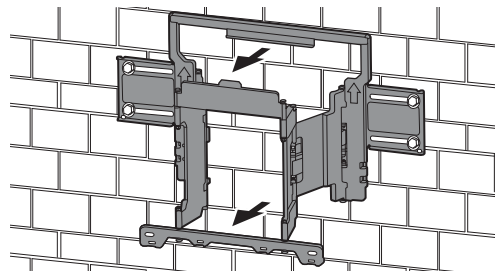
**Note**

- Use a level to check whether **WM1** is level.

**Precaution**

- Do not over-tighten lag bolts **WS2**. Improper tightening could reduce the holding power of lag bolts **WS2**.

6 Pull out the arm of the bracket to the end.

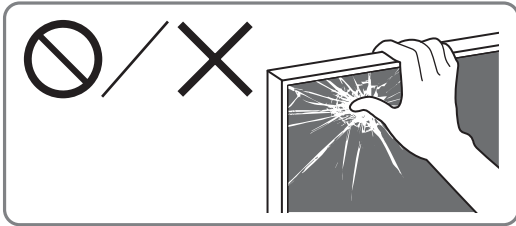




## Preparing for the Installation of the TV or LCD Display

### Note

- Be sure to store the removed screws and unused parts in a safe place, keeping them away from children.

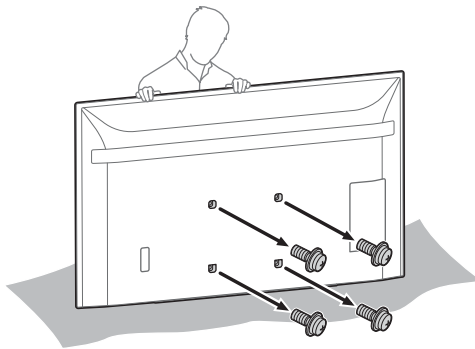


### Installing the TV or LCD Display to the Wall from Carton\*

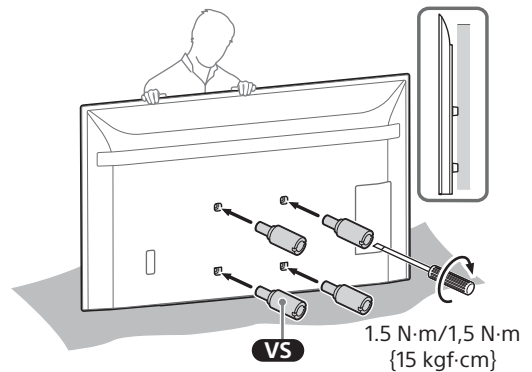
\* Only for limited region/country/model.

FW-75BZ40L / 75BZ35L / 75BZ30L / 75EZ20L / 65BZ40L / 65BZ35L / 65BZ30L / 65EZ20L / 55BZ40L / 55BZ35L / 55BZ30L / 55EZ20L only

- 1 Remove the screws from the rear of the TV or LCD Display.



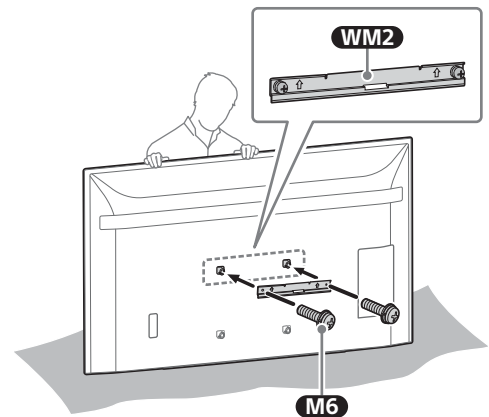
- 2 Attach the Wall-Mount Attachment **VS** (supplied with the TV or LCD Display) to the rear of the TV or LCD Display (to make it parallel with the wall).



### Note

- Be sure to fasten the Wall-Mount Attachment **VS** when attaching them to the TV or LCD Display. Use only a flat head screwdriver to install the Wall-Mount Attachment **VS**. Use of another tool might result in over torquing the Wall-Mount Attachment **VS** and damaging the TV or LCD Display.

- 3 Attach **WM2** to the TV or LCD Display using **M6**.



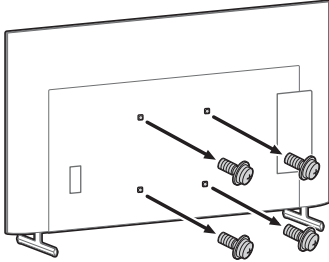
## Installing the TV or LCD Display to the Wall from Table-Top Stand\*

\* Only for limited region/country/model.

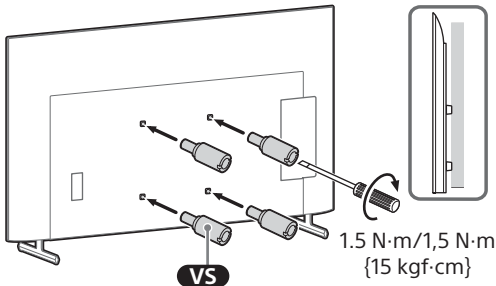
### 1 Attach the Table-Top Stand to make the TV or LCD Display standing.

- Refer to your TV's or LCD Display's Setup Guide.

### 2 Remove the screws from the rear of the TV or LCD Display.



### 3 Attach the Wall-Mount Attachment **VS** (supplied with the TV or LCD Display) to the rear of the TV or LCD Display (to make it parallel with the wall).



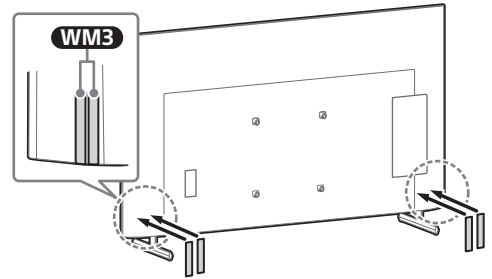
#### Note

- Be sure to fasten the Wall-Mount Attachment **VS** when attaching them to the TV or LCD Display.

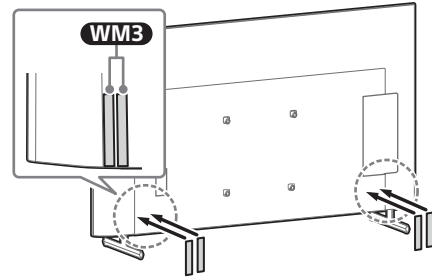
Use only a flat head screwdriver to install the Wall-Mount Attachment **VS**. Use of another tool might result in over torquing the Wall-Mount Attachment **VS** and damaging the TV or LCD Display.

### 4 Attach **WM3**.

Except FW-75BZ40L / 75BZ35L / 75BZ30L / 75EZ20L / 65BZ40L / 65BZ35L / 65BZ30L / 65EZ20L / 55BZ40L / 55BZ35L / 55BZ30L / 55EZ20L, XR-75X90L / 75X90CL / 65X90L / 65X90CL / 55X90L



XR-75X90L / 75X90CL / 65X90L / 65X90CL / 55X90L only

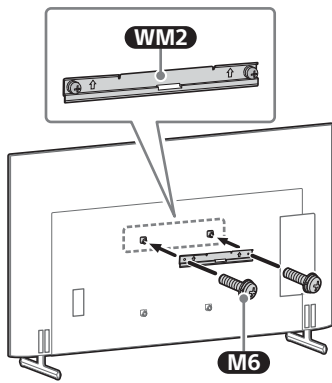


#### Note

- Do not attach **WM3** on the labels.

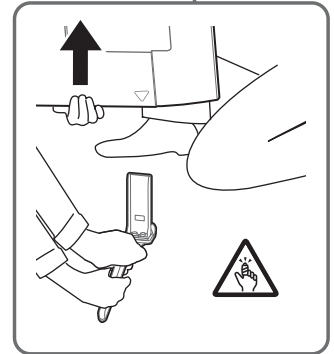
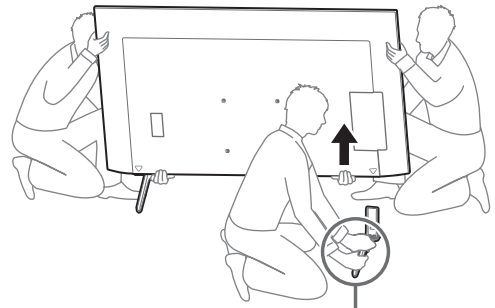
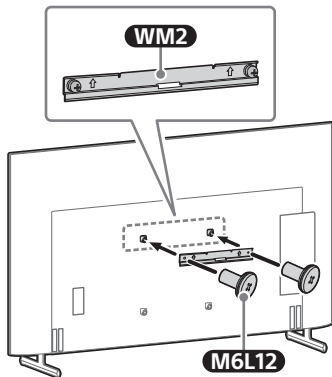
### 5 Except XR-75X90L / 75X90CL / 65X90L / 65X90CL / 55X90L

Attach **WM2** to the TV or LCD Display using **M6**.



**XR-75X90L / 75X90CL /  
65X90L / 65X90CL / 55X90L  
only**

Attach **WM2** to the TV or LCD Display using **M6L12** (supplied with the TV or LCD Display).



- Repeat the previous step and remove the other side of the Table-Top Stand.

**6 Detach the Table-Top Stand from the TV or LCD Display.**

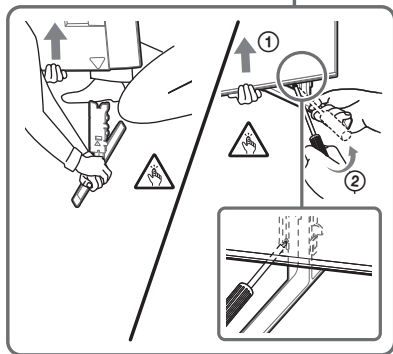
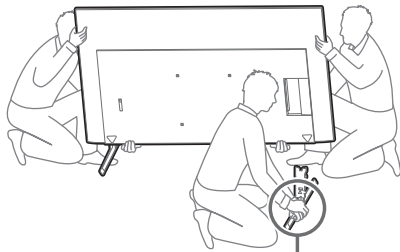
The following illustration is an example of the operation.

Except XR-75X90L / 75X90CL / 65X90L / 65X90CL / 55X90L

- Remove one side of the Table-Top Stand at a time. Firmly hold the Table-Top Stand securely with both hands while the other people lift up the TV or LCD Display.

XR-75X90L / 75X90CL / 65X90L / 65X90CL / 55X90L only

- Remove one side of the Table-Top Stand at a time. Firmly hold the Table-Top Stand securely with both hands while the other people lift up the TV or LCD Display.

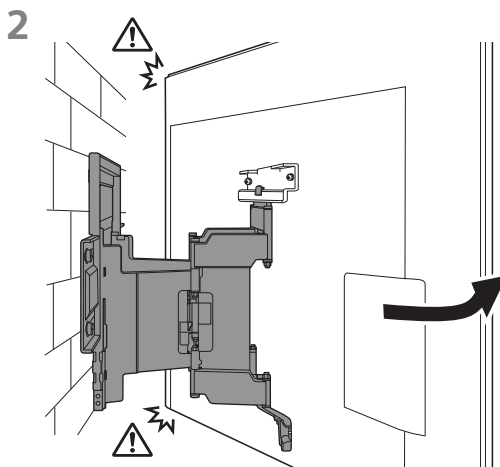
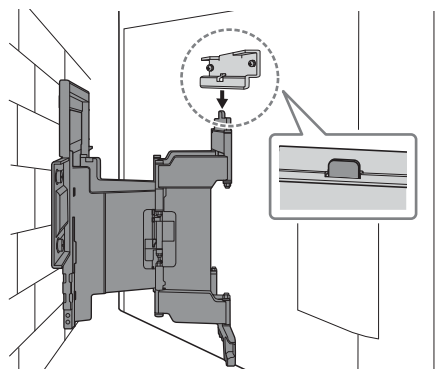
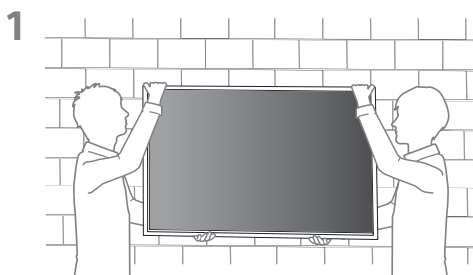
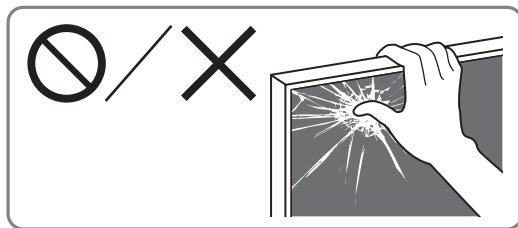


- Repeat the previous step and remove the other side of the Table-Top Stand.

#### Note

- Three or more people are required to detach the Table-Top Stand.
- Be careful not to use excessive force while detaching the Table-Top Stand from the TV or LCD Display as it may cause the TV or LCD Display to fall resulting in personal injury or physical damage to the TV or LCD Display.
- Take care when handling the Table-Top Stand to prevent damage to the TV or LCD Display.
- Be careful when lifting the TV or LCD Display as the Table-Top Stand is detached, the Table-Top Stand may topple over and cause personal injury.
- Take care when removing the Table-Top Stand from the TV or LCD Display to prevent it from falling over and damaging the surface that the TV or LCD Display is sitting on.

## Installing the TV or LCD Display on the Wall

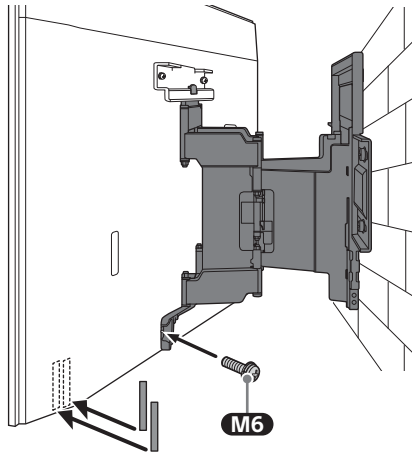
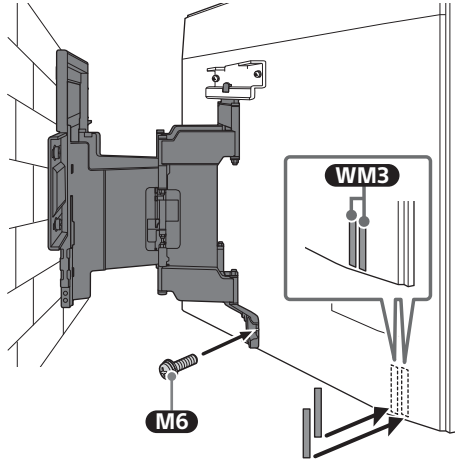


### 3 Screw the left and right side of the Wall-Mount Bracket.

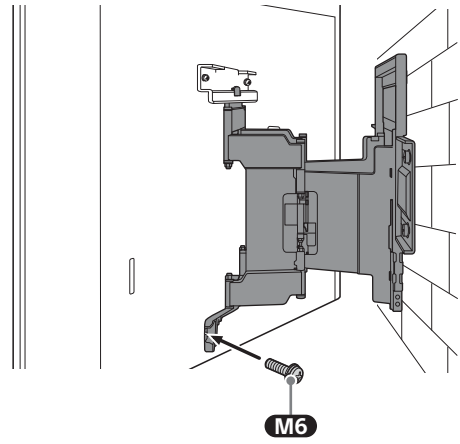
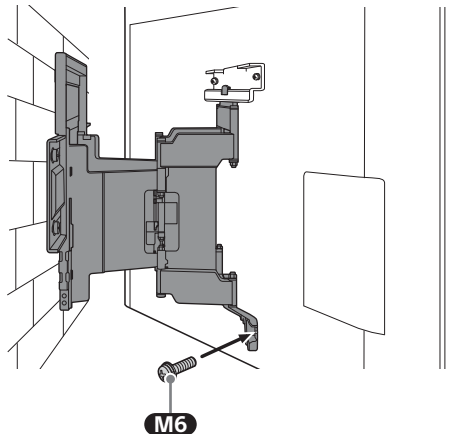
FW-75BZ40L / 75BZ35L / 75BZ30L /  
75EZ20L / 65BZ40L / 65BZ35L / 65BZ30L /  
65EZ20L / 55BZ40L / 55BZ35L / 55BZ30L /  
55EZ20L only

#### Note

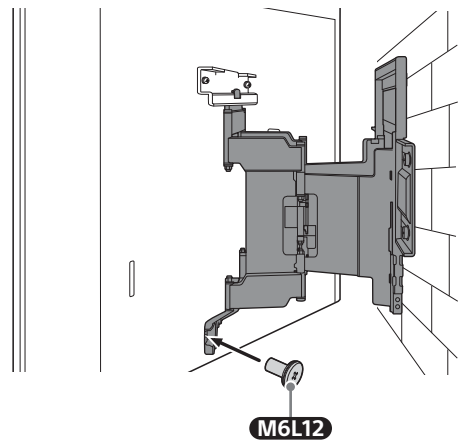
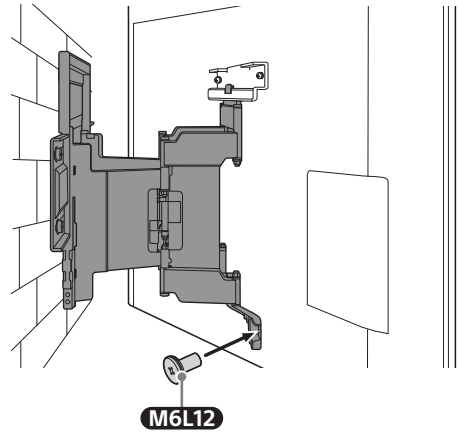
- Do not attach **WMB3** on the labels.



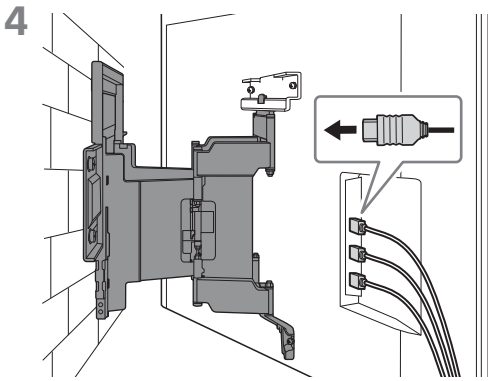
KD-75X77L / 75X77CL / 65X77L / 65X77CL /  
55X77L / 55X77CL only



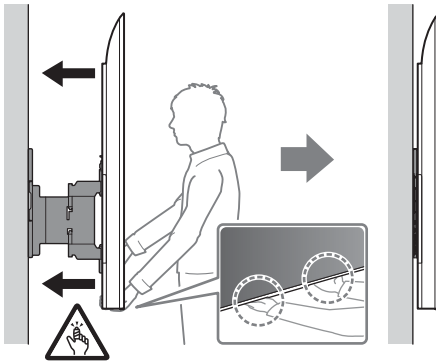
XR-75X90L / 75X90CL / 65X90L / 65X90CL /  
55X90L only



EN

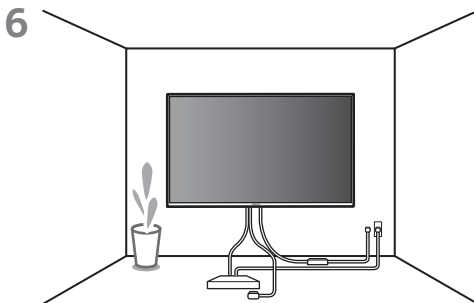


5 When moving the TV or LCD Display, hold it firmly from the bottom.



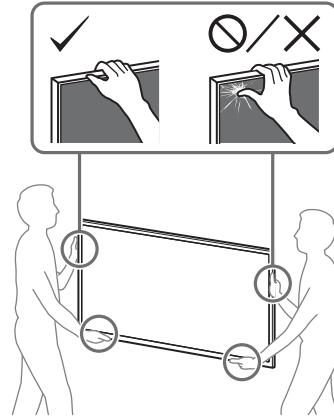
**Note**

- The TV or LCD Display may not move near close to the wall depending on the type and number of cables attached. This is not a malfunction.



**WARNING**

- Two or more persons (three or more persons for 189.3 cm (75 inches) and above TV or LCD Display) are needed to transport a large TV or LCD Display.



**Confirming the Completion of the Installation**

Check the following points.

- The cord and the cable are not twisted or pinched.

**WARNING**

- Improper placement of the AC power cord, etc. may cause fire or electric shock through a short circuit. Be sure to confirm the completion of the installation for safety.

**Other Information**

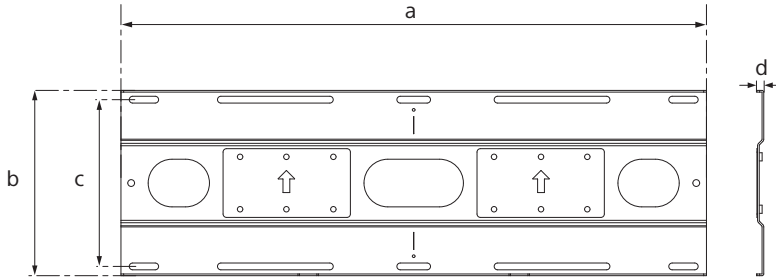
When removing the TV or LCD Display, reverse the previous installation procedure.

**WARNING**

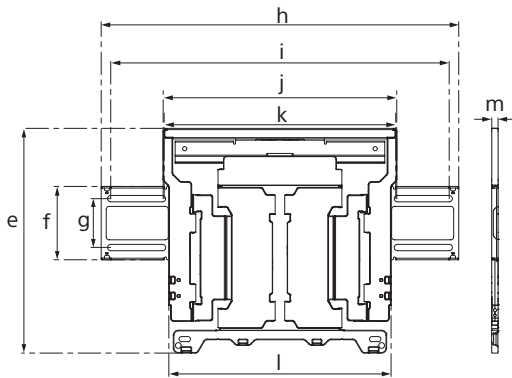
- Two or more persons (three or more persons for 189.3 cm (75 inches) and above TV or LCD Display) are needed to transport a large TV or LCD Display.

# Specifications

## WM4



## WM1



### Dimensions: (Approx.) (mm (inch))

a	: 860 (33 7/8)	h	: 563 (22 1/4)
b	: 272 (10 3/4)	i	: 533 (21)
c	: 245 (9 3/4)	j	: 370 (14 5/8)
d	: 11 (7/16)	k	: 368 (14 1/2)
e	: 354 (14)	l	: 350 (13 7/8)
f	: 116 (4 5/8)	m	: 11 (7/16)
g	: 77 (3 1/8)		

### Mass (base only): (Approx.) (kg (lb.))

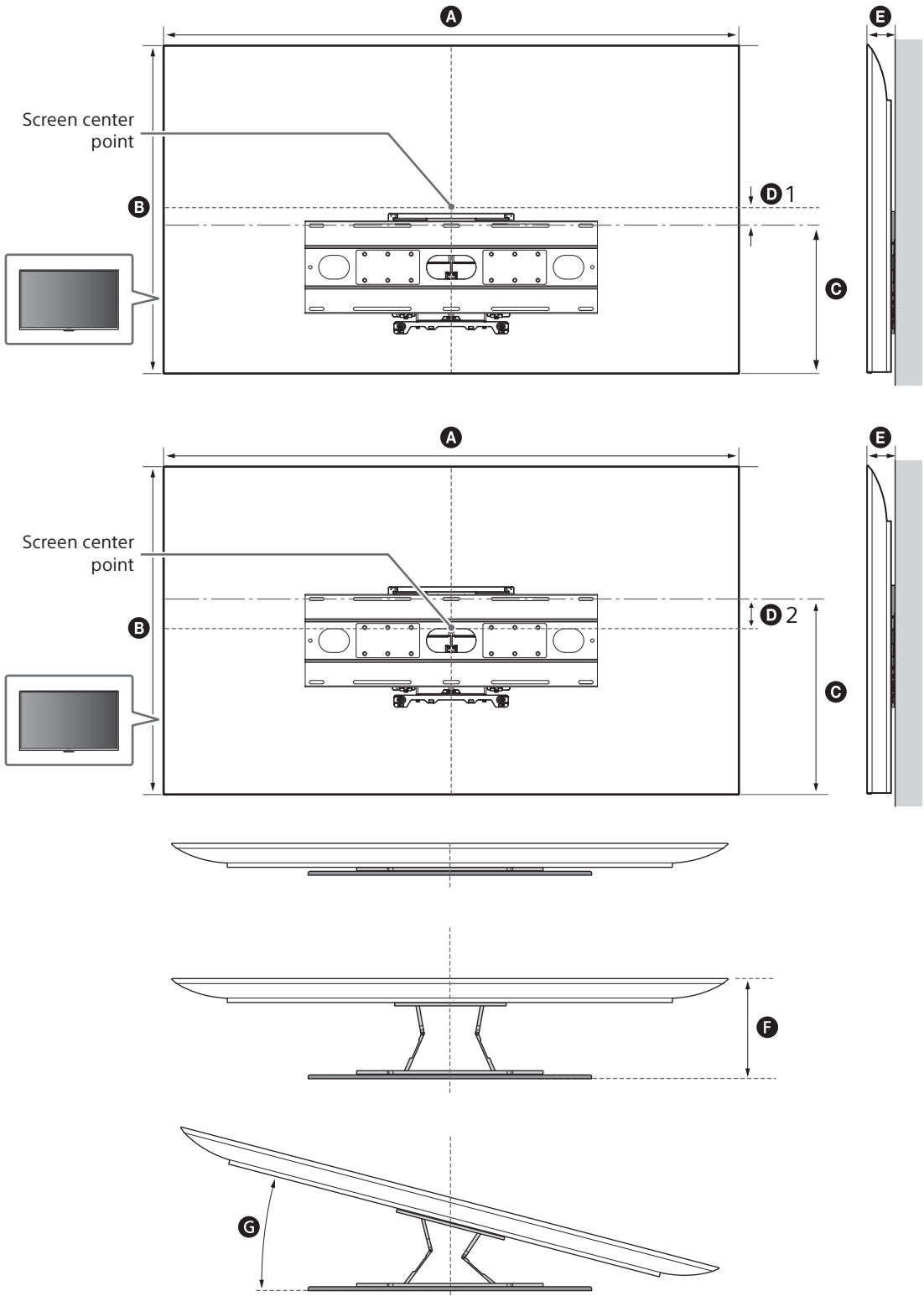
WM4	4.2 (9.3)
WM1	3.0 (6.6)

Design and specifications are subject to change without notice.

# References

## Measurement for Lateral Shift Bracket installation on the wall

Figures in the table may differ slightly depending on the installation.





(mm/inch)

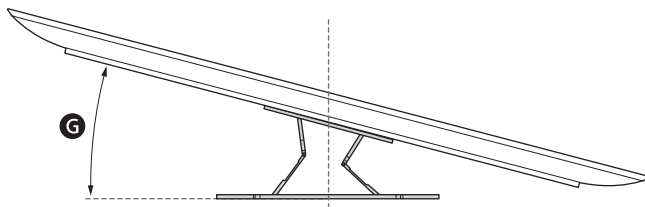
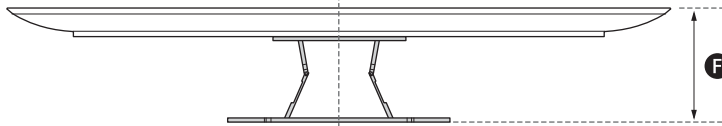
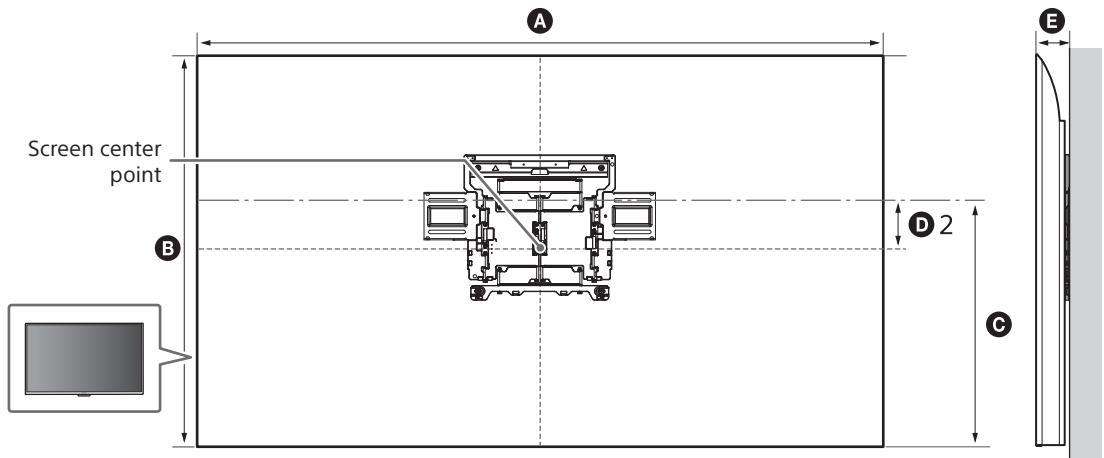
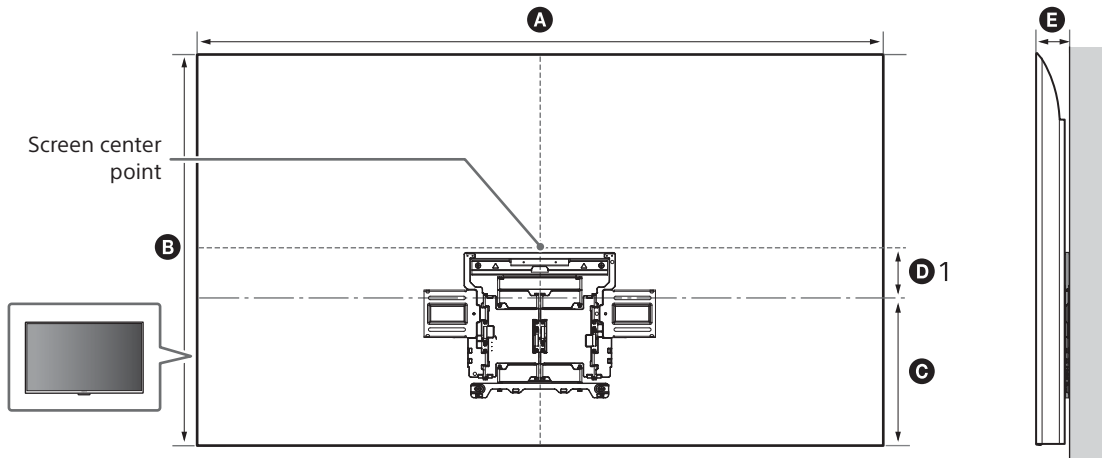
Model Name	A	B	C	D 1	D 2	E	F *	G * (°)
FW-75BZ40L / 75BZ35L / 75BZ30L / 75EZ20L KD-75X77L / 75X77CL	1686 / 66 1/2	969 / 38 1/4	448 / 17 3/4	39 / 1 9/16	—	96 / 3 7/8	298 / 11 3/4	15
XR-75X90L / 75X90CL	1668 / 65 3/4	959 / 37 7/8	463 / 18 1/4	25 / 1	—	81 / 3 1/4	284 / 11 1/4	14
FW-65BZ40L / 65BZ35L / 65BZ30L / 65EZ20L KD-65X77L / 65X77CL	1462 / 57 5/8	842 / 33 1/4	449 / 17 3/4	—	26 / 1 1/16	93 / 3 3/4	297 / 11 3/4	18
XR-65X90L / 65X90CL	1445 / 57	831 / 32 3/4	460 / 18 1/8	—	39 / 1 9/16	81 / 3 1/4	284 / 11 1/4	17
FW-55BZ40L / 55BZ35L / 55BZ30L / 55EZ20L KD-55X77L / 55X77CL	1243 / 49	721 / 28 1/2	449 / 17 3/4	—	87 / 3 1/2	93 / 3 3/4	296 / 11 3/4	20
XR-55X90L	1225 / 48 1/4	707 / 27 7/8	460 / 18 1/8	—	101 / 4	81 / 3 1/4	284 / 11 1/4	19

\* (Approx.)

EN

## Measurement for Wall-Mount Bracket installation on the wall

Figures in the table may differ slightly depending on the installation.



(mm/inch)

Model Name	A	B	C	D 1	D 2	E	F*	G* (°)
FW-75BZ40L / 75BZ35L / 75BZ30L / 75EZ20L KD-75X77L / 75X77CL	1686 / 66 1/2	969 / 38 1/4	364 / 14 3/8	123 / 4 7/8	—	86 / 3 1/2	288 / 11 3/8	15
XR-75X90L / 75X90CL	1668 / 65 3/4	959 / 37 7/8	379 / 15	109 / 4 3/8	—	71 / 2 7/8	274 / 10 7/8	14
FW-65BZ40L / 65BZ35L / 65BZ30L / 65EZ20L KD-65X77L / 65X77CL	1462 / 57 5/8	842 / 33 1/4	365 / 14 3/8	59 / 2 3/8	—	83 / 3 3/8	287 / 11 3/8	18
XR-65X90L / 65X90CL	1445 / 57	831 / 32 3/4	376 / 14 7/8	46 / 1 13/16	—	71 / 2 7/8	274 / 10 7/8	17
FW-55BZ40L / 55BZ35L / 55BZ30L / 55EZ20L KD-55X77L / 55X77CL	1243 / 49	721 / 28 1/2	365 / 14 3/8	—	3 / 1/8	83 / 3 3/8	286 / 11 3/8	20
XR-55X90L	1225 / 48 1/4	707 / 27 7/8	376 / 14 7/8	—	17 / 11/16	71 / 2 7/8	274 / 10 7/8	19

\* (Approx.)

EN

# Informations d'installation pour l'utilisation du Support de fixation murale Sony (SU-WL855)

## **Modèles pris en charge\* :**

\* Pour les noms de modèles réels, les « x »/« xx » indiquent les nombres et/ou les caractères spécifiques à chaque modèle.

**FW-75BZ4xL / 75BZ3xL / 75EZ2xL / 65BZ4xL / 65BZ3xL / 65EZ2xL / 55BZ4xL / 55BZ3xL / 55EZ2xL**

**KD-75X7xL / 75X7xCL / 65X7xL / 65X7xCL / 55X7xL / 55X7xCL**

**XR-75X9xL / 75X9xCL / 65X9xL / 65X9xCL / 55X9xL**

À l'attention des clients

Pour des raisons de sécurité et de protection du produit, Sony recommande vivement de faire installer votre téléviseur ou écran LCD par des détaillants Sony ou des installateurs agréés. N'essayez pas de l'installer vous-même.

À l'attention des détaillants Sony et des installateurs

Portez toute votre attention à la sécurité lors de l'installation, l'entretien périodique et la vérification de ce produit.

L'installation de ce produit exige un certain savoir-faire, notamment pour vérifier la résistance du mur qui devra soutenir le poids du téléviseur ou écran LCD. Veillez à confier la fixation de ce produit au mur à des détaillants Sony ou des installateurs agréés et portez une attention particulière à la sécurité pendant l'installation. Sony ne saurait être tenue responsable de tout dommage ou de toute blessure découlant d'une mauvaise utilisation ou d'une installation incorrecte.

Pour assurer votre sécurité et une installation adéquate, suivez les instructions d'utilisation du Support de fixation murale, les instructions du Manuel de configuration du téléviseur ou écran LCD et les consignes de ce manuel.

# Support de fixation murale

## Sécurité

Nous vous remercions d'avoir fait l'acquisition de ce produit.

### À l'attention des clients

Installation du téléviseur ou écran LCD au mur



#### AVERTISSEMENT

#### INSTALLATION PROFESSIONNELLE REQUISE

Ce produit doit uniquement être installé par un installateur professionnel formé pour vérifier la résistance du mur qui devra soutenir le poids du téléviseur ou écran LCD. S'il n'est pas fixé correctement pendant l'installation, le téléviseur ou écran LCD pourrait tomber et provoquer des blessures. Sony n'est pas responsable des dommages ou blessures provoqués par une mauvaise manipulation ou une mauvaise installation, ou par l'installation d'autres produits que ceux précisés. Vos droits légaux (le cas échéant) ne sont pas affectés.

### Aux détaillants Sony

L'installation de ce produit nécessite une certaine compétence. Veuillez à lire attentivement le mode d'emploi pour installer le produit en toute sécurité. Sony n'est pas responsable des dommages ou blessures provoqués par une mauvaise manipulation ou une mauvaise installation. Une fois l'installation terminée, veuillez remettre ce manuel d'installation au client.

Ce mode d'emploi indique comment manipuler le produit correctement et contient des précautions essentielles à prendre pour éviter tout accident. Lisez attentivement ce mode d'emploi et veillez à utiliser le produit correctement. Dans le cas contraire, vous risquez de vous blesser gravement ou de causer des dommages matériels et d'annuler la garantie. Conservez ce manuel pour toute référence ultérieure.

Les produits Sony sont conçus pour vous offrir le maximum de sécurité. Toutefois, si les produits sont utilisés de façon incorrecte, ils peuvent entraîner des blessures graves en provoquant un incendie ou l'électrocution, ou encore la chute de l'appareil hors de son support. Veillez à observer les consignes de sécurité préconisées pour éviter de tels accidents.



#### ATTENTION

### Produits spécifiés

Ce Support de fixation murale est conçu pour l'utilisation avec les téléviseurs ou écrans LCD spécifiés. Pour les téléviseurs ou écrans LCD, reportez-vous à leur « Manuel de référence » pour vérifier qu'il est possible d'utiliser le Support de fixation murale.

### À l'attention des clients



#### AVERTISSEMENT

Le non-respect des consignes suivantes peut être fatal ou entraîner des blessures graves en provoquant un incendie, l'électrocution ou la chute de l'appareil.

### Veillez à confier l'installation à des entrepreneurs autorisés et à laisser les enfants à l'écart pendant l'installation.

Si le Support de fixation murale ou le téléviseur ou écran LCD n'est pas installé correctement, les accidents suivants peuvent se produire. Veillez à confier l'installation à des installateurs agréés.

- Le téléviseur ou écran LCD peut tomber et causer des blessures graves comme des hématomes ou des fractures.
- Si le mur sur lequel le Support de fixation murale est fixé est instable, inégal ou non perpendiculaire au sol, l'appareil risque de tomber et de provoquer des blessures ou des dommages matériels. Le mur doit pouvoir supporter un poids équivalent à au moins six fois celui du téléviseur ou écran LCD. (Pour connaître le poids du téléviseur ou écran LCD, reportez-vous à son Manuel de référence.)
- Si l'installation du Support de fixation murale n'est pas assez solide, l'appareil risque de tomber et de provoquer des blessures ou des dommages matériels.

### Veillez à confier le déplacement ou le démontage du téléviseur ou écran LCD à des entrepreneurs autorisés.

Si des personnes autres que des installateurs agréés transportent ou démontent le téléviseur ou écran LCD, celui-ci peut tomber et provoquer des blessures ou des dommages matériels. Deux personnes ou plus (trois personnes ou plus pour les téléviseurs ou écrans LCD de 189,3 cm (75 pouces) et plus) sont nécessaires pour transporter un grand téléviseur ou un grand écran LCD.

### N'enlevez pas les vis, etc., après avoir installé le téléviseur ou écran LCD.

Dans ce cas, le téléviseur ou écran LCD pourrait tomber et provoquer des blessures ou des dommages matériels.

### N'effectuez pas de modifications sur les pièces du Support de fixation murale.

Dans ce cas, le Support de fixation murale pourrait tomber et provoquer des blessures ou des dommages matériels.

### N'installez pas un autre équipement que le produit spécifié.

Ce Support de fixation murale est conçu pour être utilisé avec les produits spécifiés uniquement. Si vous installez un appareil autre que ceux qui sont spécifiés, il pourrait tomber ou se briser et provoquer des blessures ou des dommages matériels.

### N'appliquez aucune autre charge que celle du téléviseur ou écran LCD sur le Support de fixation murale.

### Ne secouez pas le téléviseur ou écran LCD vers la gauche/droite, le haut/bas.

Dans ce cas, le téléviseur ou écran LCD pourrait tomber et provoquer des blessures ou des dommages matériels.

### Ne vous appuyez pas ou ne vous suspendez pas au téléviseur ou écran LCD.

Ne vous appuyez pas sur le téléviseur ou écran LCD et ne vous y suspendez pas, car il risque de tomber et de causer des blessures graves.



#### ATTENTION

Le non-respect des consignes suivantes peut entraîner des blessures ou des dommages matériels.

- Veillez à ne pas vous coincer les doigts pendant la manipulation du Support de fixation murale ou le pivotement du téléviseur ou écran LCD.
- Manipulez le téléviseur ou écran LCD avec précaution lorsque vous le faites pivoter et assurez-vous de ne heurter personne.
- Assurez-vous de ranger les pièces non utilisées dans un endroit sûr pour une utilisation ultérieure. Gardez-les hors de la portée des enfants.

## N'appliquez aucune force excessive sur le produit au cours de l'entretien ou du nettoyage de l'appareil.

N'exercez aucune pression excessive sur le dessus du téléviseur ou écran LCD. Dans ce cas, le téléviseur ou écran LCD pourrait tomber et provoquer des blessures ou des dommages matériels.

## Ne placez pas le produit près de dispositifs médicaux.

Ce produit (y compris les accessoires) est doté d'un ou plusieurs aimants qui peuvent interférer avec le fonctionnement des stimulateurs cardiaques, robinets de dérivation programmables pour traitement d'hydrocéphalie ou autres appareils médicaux. Ne placez pas ce produit près des personnes qui utilisent de tels appareils médicaux. Consultez votre médecin avant d'utiliser ce produit si vous utilisez un tel dispositif médical.

## Garder hors de la portée des enfants ou des personnes surveillées.

Ce produit (y compris les accessoires) contient un ou plusieurs aimants. L'ingestion d'un ou de plusieurs aimants pourrait causer de graves blessures, tels qu'un risque d'étouffement ou des lésions intestinales. En cas d'ingestion d'aimants (ou d'un aimant), consultez immédiatement un médecin.

## Avis

- Si vous utilisez le téléviseur ou écran LCD fixé au Support de fixation murale pendant une longue période, le mur situé derrière le téléviseur ou écran LCD ou au-dessus de celui-ci peut se décolorer, ou encore le papier peint peut se décoller, selon le matériau du mur.
- Les trous des vis restent apparents si vous démontez le Support de fixation murale après son installation.
- N'utilisez pas le Support de fixation murale à un endroit soumis à des vibrations mécaniques.

## Installation du Support de fixation murale

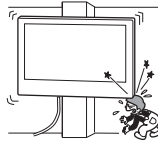
### Aux détaillants Sony

## AVERTISSEMENT

Les instructions suivantes sont destinées uniquement aux détaillants Sony. Lisez attentivement les consignes de sécurité ci-dessus et accordez une attention particulière à la sécurité lors de l'installation, de l'entretien et de la vérification de ce produit.

## N'installez pas le Support de fixation murale sur des surfaces murales où les coins ou les côtés du téléviseur ou écran LCD dépassent de la surface murale.

N'installez pas le Support de fixation murale sur une surface verticale telle qu'une colonne, où les coins ou les côtés du téléviseur ou écran LCD dépasseraient de la surface murale. Si une personne ou un objet venait à heurter le coin ou les côtés du téléviseur ou écran LCD, ceci risquerait de provoquer des blessures ou des dommages matériels.

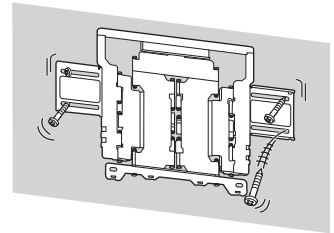
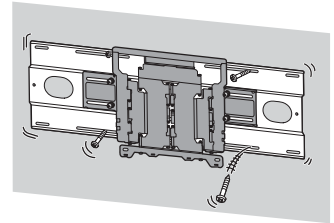


## N'installez pas le téléviseur ou écran LCD sur ou en-dessous d'un climatiseur.

L'exposition prolongée du téléviseur ou écran LCD à des fuites d'eau ou à des courants d'air provenant du climatiseur pourrait provoquer un incendie, l'électrocution ou des problèmes de fonctionnement du téléviseur ou écran LCD.

## Veillez à installer le Support de fixation murale solidement au mur en suivant les instructions présentes dans ce mode d'emploi.

Si une vis se desserre ou tombe, le Support de fixation murale peut tomber et provoquer des blessures ou des pertes matérielles. Assurez-vous d'utiliser des vis appropriées pour le matériau du mur et d'installer l'appareil solidement en utilisant la vis et les douilles fournies.



**Veillez à utiliser correctement les vis et les pièces de fixation fournies conformément aux instructions du mode d'emploi. Si vous utilisez d'autres éléments de fixation, le téléviseur ou écran LCD pourrait tomber et causer des blessures corporelles ou être endommagé.**

## Veillez à assembler correctement les supports en suivant la procédure expliquée dans ce mode d'emploi.

S'il manque des vis ou si elles sont desserrées, le téléviseur ou écran LCD pourrait tomber et causer des blessures corporelles ou être endommagé.

**Veillez à serrer fermement les vis dans la position prévue.**

Si vous oubliez, le téléviseur ou écran LCD pourrait tomber et causer des blessures corporelles ou être endommagé.

**Faites attention à ne pas exposer le téléviseur ou écran LCD à des chocs pendant l'installation.**

Si le téléviseur ou écran LCD subit des chocs, il pourrait tomber ou se briser. Ceci pourrait causer des blessures.

**Veillez à installer le téléviseur ou écran LCD sur un mur plat et perpendiculaire.**

Dans le cas contraire, le téléviseur ou écran LCD pourrait tomber et provoquer des blessures.

**Lorsque le téléviseur ou écran LCD est bien installé, fixez correctement les câbles.**

Si des personnes ou des objets s'accrochent aux câbles, ceci risque de provoquer des blessures ou d'endommager le téléviseur ou écran LCD.

**Veillez à ce que le cordon d'alimentation CA ou le câble de raccordement ne soit pas coincé ni écrasé.**

Si le cordon d'alimentation CA ou le câble de raccordement est coincé entre l'appareil et le mur, ou s'il est plié ou tordu, les conducteurs internes peuvent être exposés et provoquer un court-circuit ou une coupure électrique. Un incendie ou l'électrocution pourrait en résulter.



## Avant de commencer

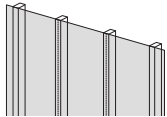
- Les illustrations de téléviseur ou de l'écran LCD présentées dans ce manuel sont des exemples utilisés pour fournir des explications claires sur les opérations. Pour cette raison, les illustrations peuvent présenter des différences avec votre téléviseur ou écran LCD réel.

### Quel est le type de matériau du mur?

Commencez par vérifier le type de matériau du mur sur lequel vous souhaitez installer le téléviseur ou écran LCD.

Le Support de fixation murale varie selon le type de mur.

#### Cloison sèche avec montants

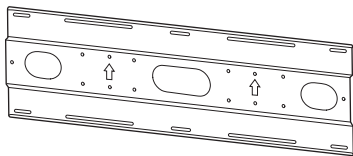


##### Précautions

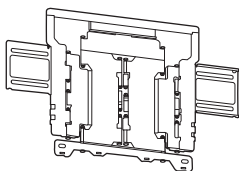
- Épaisseur maximale de la cloison sèche : 16 mm (21/32 pouces).
- Assurez-vous que la taille du montant en bois interne est d'au moins 51 mm × 102 mm (2 1/8 pouces × 4 1/8 pouces) pour une charpente commune ou 38 mm × 89 mm (1 1/2 pouces × 3 5/8 pouces) pour une charpente nominale.
- Laissez un espace horizontal minimal de 406 mm (16 pouces) entre les pièces de fixation.



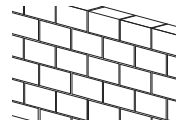
Utilisez le support de déplacement latéral.



+



#### Béton solide ou bloc de béton

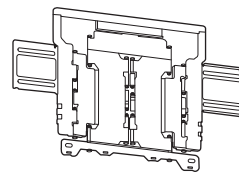


##### Précautions

- Fixez le Support de fixation murale directement sur le mur en béton solide.
- Assurez-vous que l'épaisseur du mur en béton solide est d'au moins 203 mm (8 pouces).
- Assurez-vous que la taille du bloc de béton est d'au moins 203 mm × 203 mm × 406 mm (8 pouces × 8 pouces × 16 pouces).



Utilisez le Support de fixation murale.

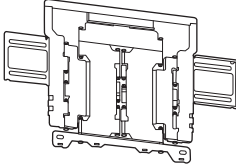

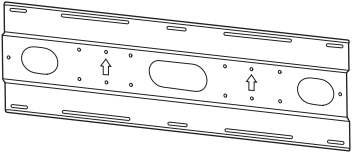






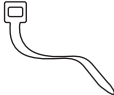







## Vérification des pièces

### Fournies avec SU-WL855

- Vérifiez si toutes les pièces sont fournies.

<p><b>WM1</b> (x1)</p> 	<p><b>WM2</b> (x1)</p> 	<p><b>WM4</b> (x1)</p> 
<p><b>M6</b> (x4)</p>  <p>6 mm × 20 mm (1/4 pouces × 13/16 pouces)</p>	<p><b>WS1</b> (x4)</p>  <p>8 mm × 12 mm (11/32 pouces × 1/2 pouces)</p>	<p><b>WS2</b> (x6)</p>  <p>8 mm × 60 mm (11/32 pouces × 2 3/8 pouces)</p>
<p><b>WW1</b> (x6)</p> 	<p><b>WW2</b> (x4)</p> 	<p><b>WA1</b> (x4)</p> 
<p><b>WT1</b> (x6)</p> 	<p><b>WM3</b> (x4)</p> 	



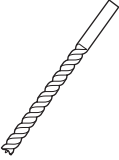
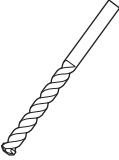
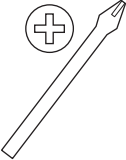
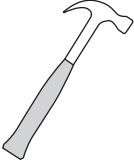
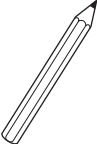
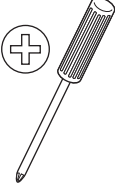
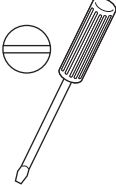
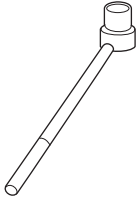

### Fourni avec le téléviseur ou écran LCD

<p>Accessoire de fixation murale <b>VS</b> (x4)*</p> 	<p><b>M6L12</b> (x4)*</p> 
--	---

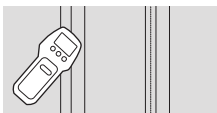
\* Uniquement pour certaines régions/pays/modèles.

## Préparation pour l'installation

- Gardez le Manuel de référence du téléviseur ou écran LCD et le Manuel de configuration à portée de main avant l'installation.
- Confirmez la position d'installation de votre téléviseur ou écran LCD.
- Préparez les outils suivants :

<p>*1</p> 		  <p>5,5 mm (7/32 pouces)</p> <p>10 mm (13/32 pouces)</p>	
<p>*2</p> 		 <p>1.5 N·m/1,5 N·m {15 kgf.cm}</p>	<p>*3</p>  <p>1.5 N·m/1,5 N·m {15 kgf.cm}</p>
<p>13 mm (1/2 pouces)</p>  <p>12.5 N·m/12,5 N·m {130 kgf.cm}</p>			

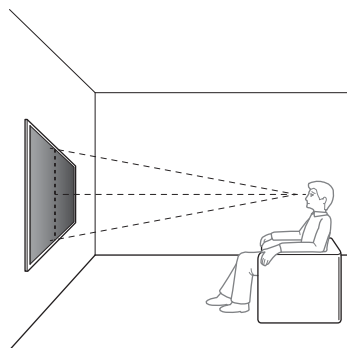
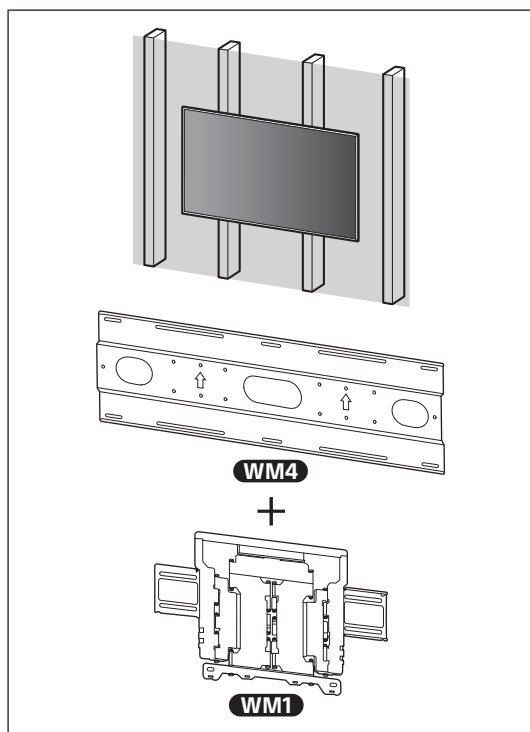
\*1 Uniquement pour la cloison sèche avec montants



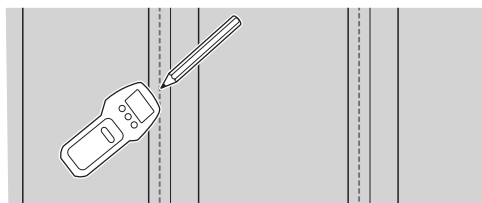
\*2 Uniquement pour le béton solide ou bloc de béton

\*3 Selon les modèles

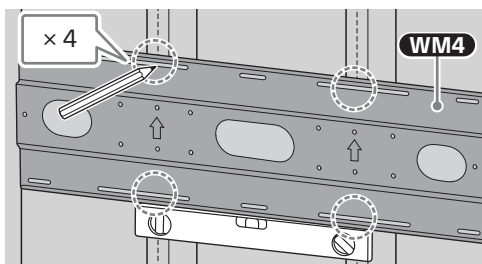
## A Fixation du Support de fixation murale sur la cloison sèche avec montants



2



3 Alignez **WM4** sur le mur et tracez quatre repères alignés avec les montants.



## Installation du support de déplacement latéral sur le mur

1 Décidez de l'emplacement d'installation.

Assurez-vous que le mur offre suffisamment d'espace pour le téléviseur ou écran LCD et qu'il peut supporter un poids équivalent à au moins six fois celui du téléviseur ou écran LCD.

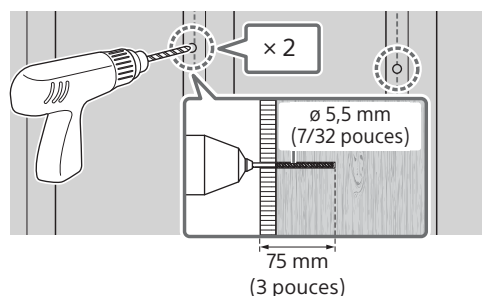
- Reportez-vous à « Mesure pour l'installation du support de déplacement latéral sur le mur » à la page 25.
- Pour connaître le poids du téléviseur ou écran LCD, reportez-vous au Manuel de référence du téléviseur ou écran LCD.

### Remarque

- Lorsque votre téléviseur ou écran LCD est installé au mur, la partie supérieure du téléviseur ou écran LCD est légèrement inclinée vers l'avant.
- Nous vous recommandons de vérifier la position du téléviseur ou écran LCD dans l'environnement de visionnement.

4 Percez les avant-trous supérieurs sur les repères.

Assurez-vous que l'emplacement sur le mur duquel les trous vont être percés est suffisamment solide pour supporter un poids égal au moins à six fois celui du téléviseur ou de l'écran LCD.

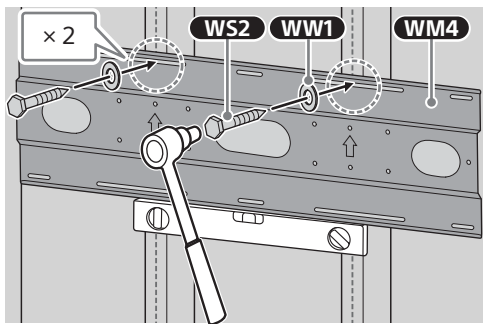


### Remarque

- Des avant-trous doivent être percés à une profondeur de 75 mm (3 pouces), à l'aide d'une mèche de 5,5 mm (7/32 pouces) de diamètre.

FR

## 5 Installez **WM4** au mur.



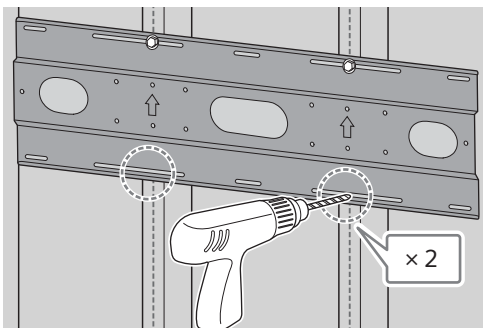
### Remarque

- Utilisez un niveau pour vérifier que **WM4** est de niveau.

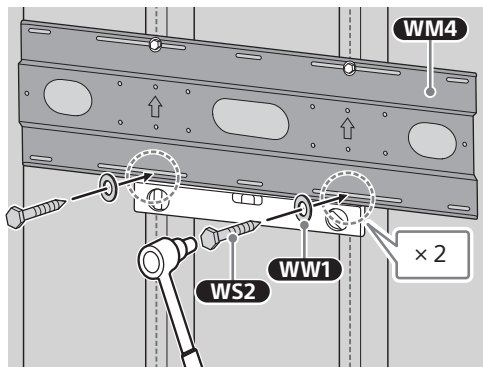
### Précautions

- Ne serrez pas excessivement les tirefonds **WS2**. Un serrage incorrect pourrait réduire la capacité de maintien des tirefonds **WS2**.

## 6 Percez les avant-trous inférieurs sur les repères. (Reportez-vous à l'étape 4 pour les instructions de perçage.)



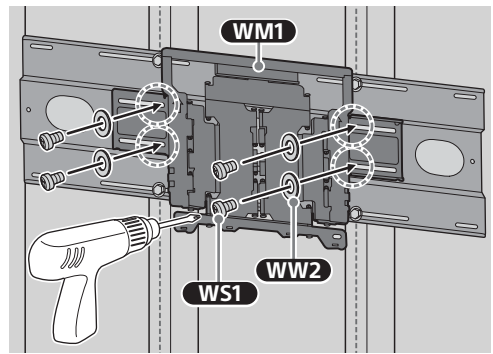
## 7 Installez les vis et pièces d'espacement dans les trous.



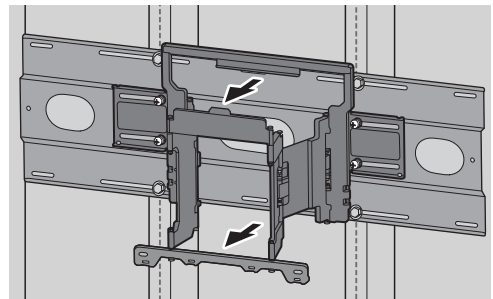
### Remarque

- Utilisez un niveau pour vérifier que **WM4** est de niveau.

## 8



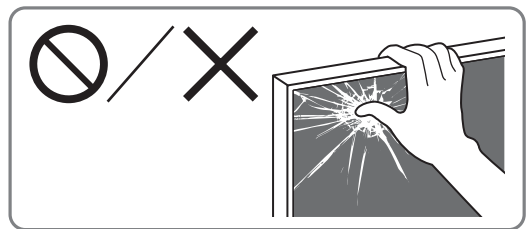
## 9 Tirez le bras du support entièrement vers l'extérieur.



## Préparation pour l'installation du téléviseur ou écran LCD

### Remarque

- Assurez-vous de ranger les vis retirées et les pièces non utilisées dans un endroit sûr, hors de la portée des enfants.

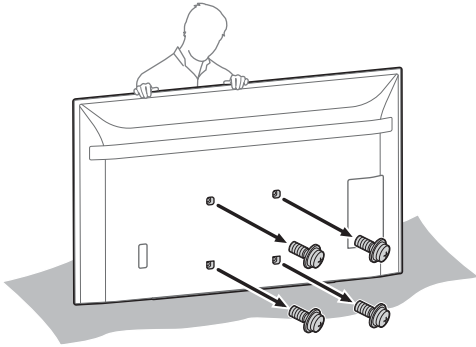


## Installation du téléviseur ou écran LCD au mur à partir de la boîte\*

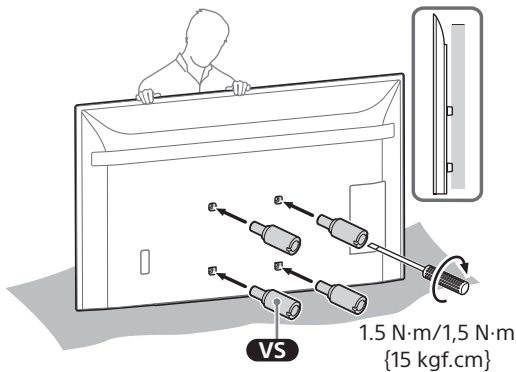
\* Uniquement pour certaines régions/pays/modèles.

FW-75BZ40L / 75BZ35L / 75BZ30L / 75EZ20L /  
65BZ40L / 65BZ35L / 65BZ30L / 65EZ20L /  
55BZ40L / 55BZ35L / 55BZ30L / 55EZ20L  
uniquement

- 1 Retirez les vis à l'arrière du téléviseur ou écran LCD.



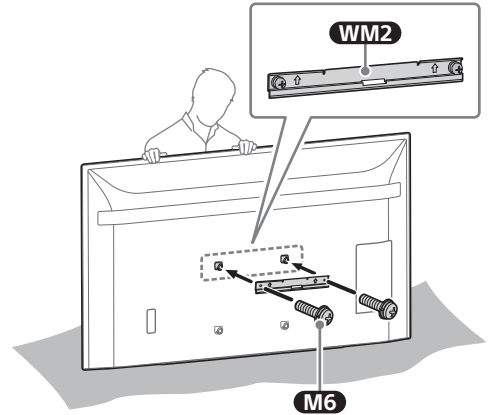
- 2 Installez l'accessoire de fixation murale **VS** (fourni avec le téléviseur ou écran LCD) à l'arrière du téléviseur ou écran LCD (de manière à ce qu'il soit parallèle au mur).



### Remarque

- Assurez-vous de bien serrer l'accessoire de fixation murale **VS** lors de son installation sur le téléviseur ou l'écran LCD. Utilisez uniquement un tournevis plat pour installer l'accessoire de fixation murale **VS**. L'utilisation d'un autre outil pourrait entraîner un serrage excessif de l'accessoire de fixation murale **VS** et endommager le téléviseur ou l'écran LCD.

- 3 Fixez **WM2** au téléviseur ou écran LCD en utilisant **M6**.

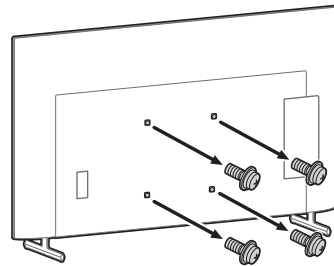


## Installation du téléviseur ou écran LCD au mur à partir du support de table\*

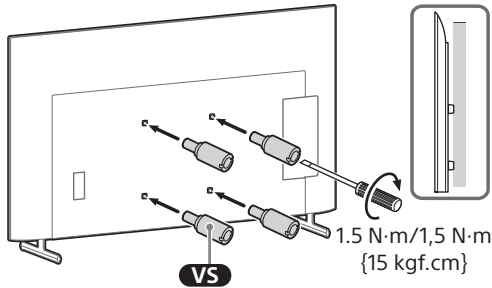
FR

\* Uniquement pour certaines régions/pays/modèles.

- 1 Fixez le support de table pour faire tenir le téléviseur ou l'écran LCD debout.
  - Reportez-vous au manuel de configuration de votre téléviseur ou écran LCD.
- 2 Retirez les vis à l'arrière du téléviseur ou écran LCD.



**3** Installez l'accessoire de fixation murale **VS** (fourni avec le téléviseur ou écran LCD) à l'arrière du téléviseur ou écran LCD (de manière à ce qu'il soit parallèle au mur).

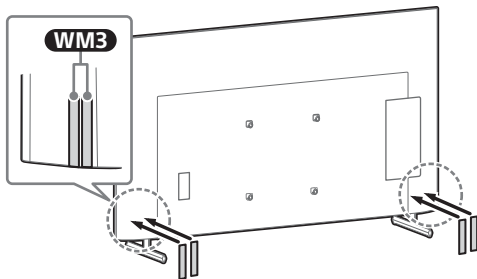


**Remarque**

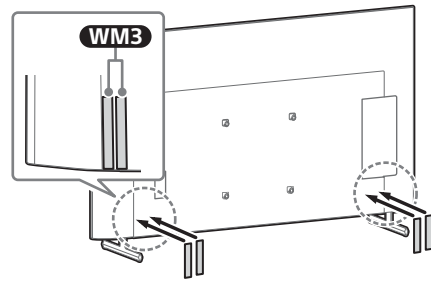
- Assurez-vous de bien serrer l'accessoire de fixation murale **VS** lors de son installation sur le téléviseur ou l'écran LCD. Utilisez uniquement un tournevis plat pour installer l'accessoire de fixation murale **VS**. L'utilisation d'un autre outil pourrait entraîner un serrage excessif de l'accessoire de fixation murale **VS** et endommager le téléviseur ou l'écran LCD.

**4** Fixez **WM3**.

Sauf FW-75BZ40L / 75BZ35L / 75BZ30L / 75EZ20L / 65BZ40L / 65BZ35L / 65BZ30L / 65EZ20L / 55BZ40L / 55BZ35L / 55BZ30L / 55EZ20L, XR-75X90L / 75X90CL / 65X90L / 65X90CL / 55X90L



XR-75X90L / 75X90CL / 65X90L / 65X90CL / 55X90L uniquement

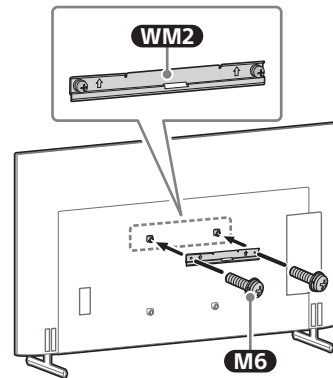


**Remarque**

- Ne pas fixer **WM3** sur les étiquettes.

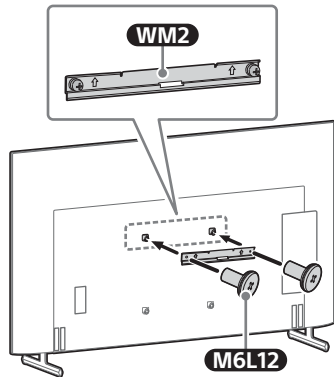
**5** Sauf XR-75X90L / 75X90CL / 65X90L / 65X90CL / 55X90L

Fixez **WM2** au téléviseur ou écran LCD en utilisant **M6**.



**XR-75X90L / 75X90CL /  
65X90L / 65X90CL / 55X90L  
uniquement**

Fixez **WM2** au téléviseur ou écran LCD en utilisant **M6L12** (fourni avec le téléviseur ou écran LCD).

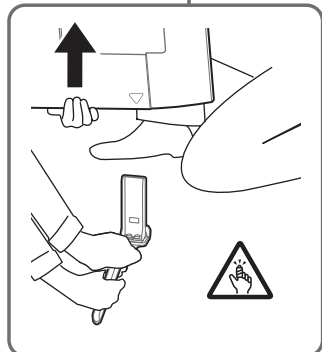
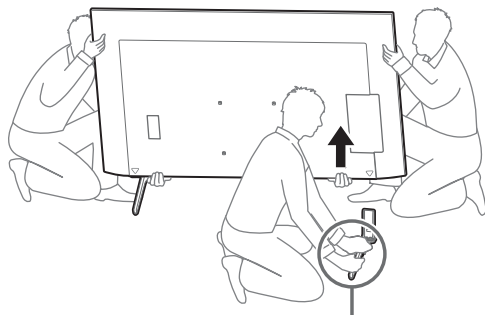


**6** Retirez le support de table du téléviseur ou écran LCD.

L'illustration suivante montre un exemple d'opération.

Sauf XR-75X90L / 75X90CL / 65X90L / 65X90CL / 55X90L

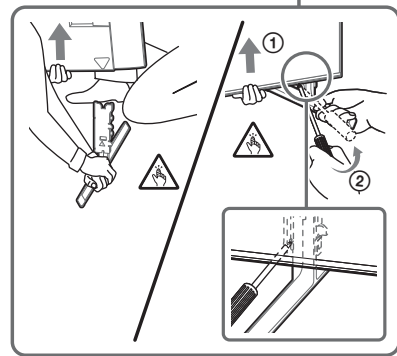
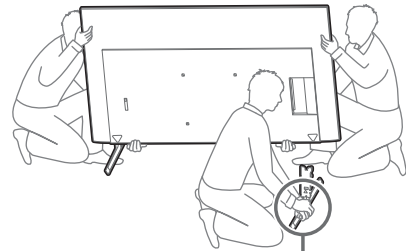
- Retirez un seul côté du support de table à la fois. Maintenez fermement le support de table avec les deux mains pendant que l'autre personne soulève le téléviseur ou écran LCD.



- Répétez les étapes précédentes et retirez l'autre côté du support de table.

XR-75X90L / 75X90CL / 65X90L / 65X90CL / 55X90L uniquement

- Retirez un seul côté du support de table à la fois. Maintenez fermement le support de table avec les deux mains pendant que l'autre personne soulève le téléviseur ou écran LCD.

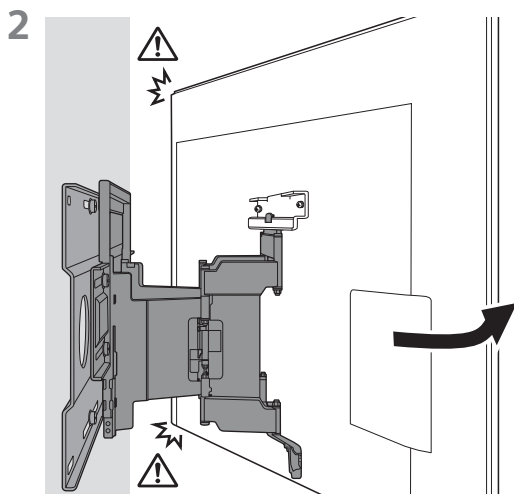
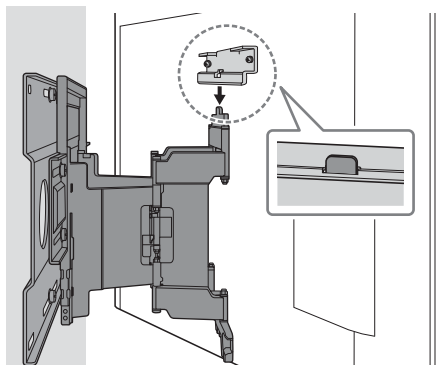
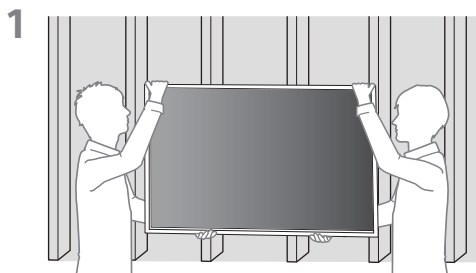
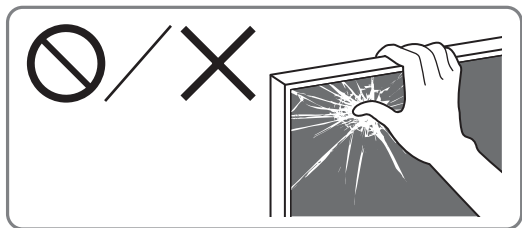


- Répétez les étapes précédentes et retirez l'autre côté du support de table.

**Remarque**

- Trois personnes ou plus sont nécessaires pour démonter le support de table.
- Veillez à ne pas utiliser une force excessive pour démonter le support de table du téléviseur ou écran LCD, car le téléviseur ou écran LCD pourrait tomber et provoquer des blessures ou endommager le téléviseur ou écran LCD.
- Lors de la manipulation du support de table, prenez soin d'éviter d'endommager le téléviseur ou écran LCD.
- Soulevez le téléviseur ou écran LCD avec prudence, car le support de table qui se démonte pourrait basculer et provoquer des blessures.
- Lors du retrait du support de table du téléviseur ou écran LCD, veillez à l'empêcher de tomber et d'endommager la surface sur laquelle le téléviseur ou écran LCD repose.

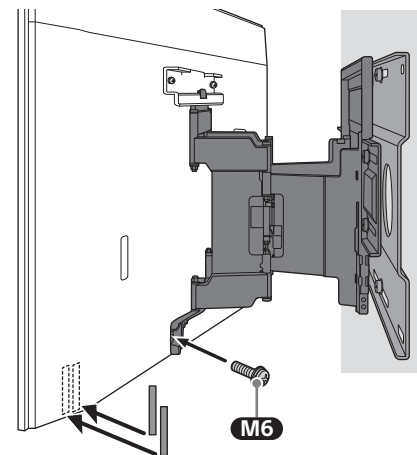
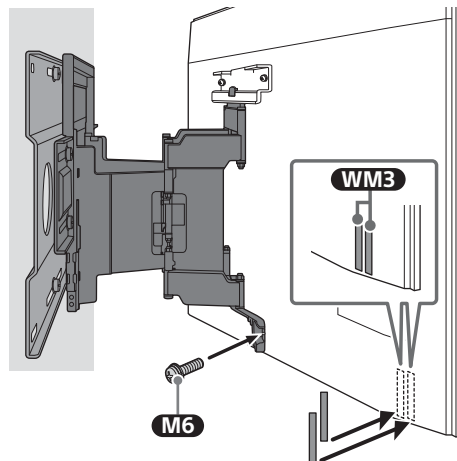
## Installation du téléviseur ou écran LCD sur le mur



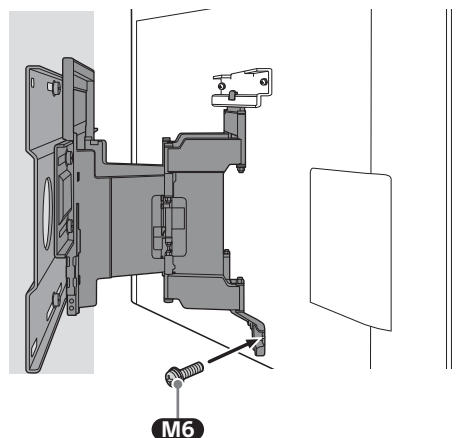
3 Vissez les côtés gauche et droit du Support de fixation murale.  
 FW-75BZ40L / 75BZ35L / 75BZ30L /  
 75EZ20L / 65BZ40L / 65BZ35L / 65BZ30L /  
 65EZ20L / 55BZ40L / 55BZ35L / 55BZ30L /  
 55EZ20L uniquement

### Remarque

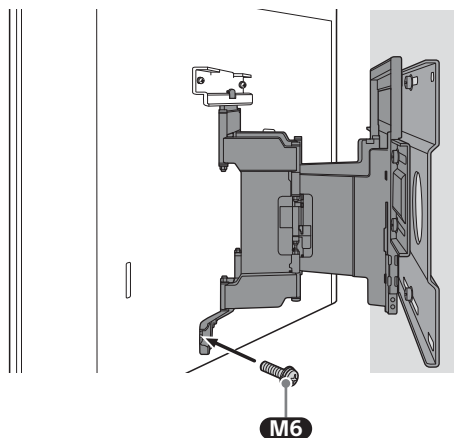
- Ne pas fixer **WM3** sur les étiquettes.



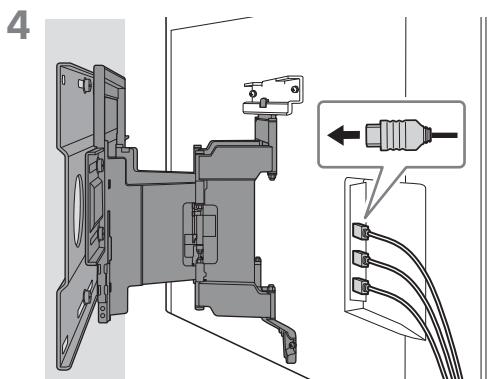
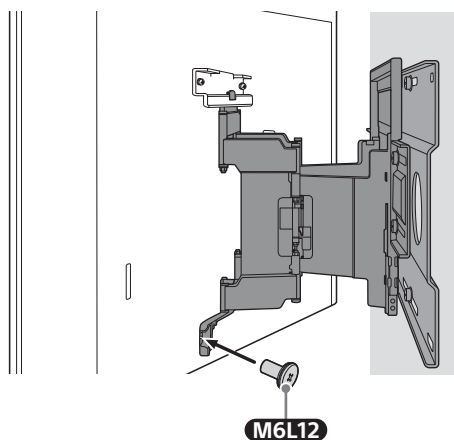
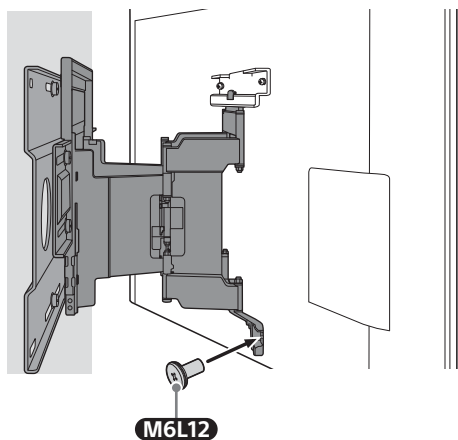
KD-75X77L / 75X77CL / 65X77L / 65X77CL /  
 55X77L / 55X77CL uniquement



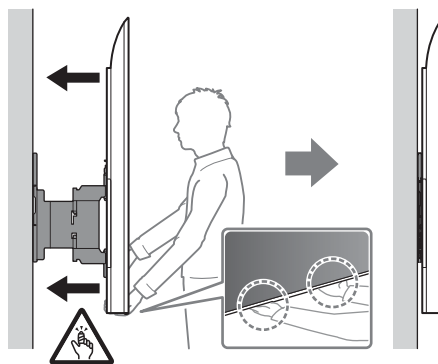




XR-75X90L / 75X90CL / 65X90L / 65X90CL / 55X90L uniquement

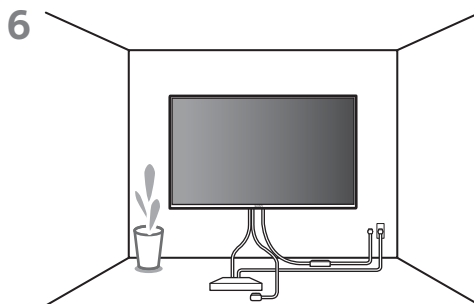


**5** Lorsque vous déplacez le téléviseur ou écran LCD, tenez-le fermement par le bas.



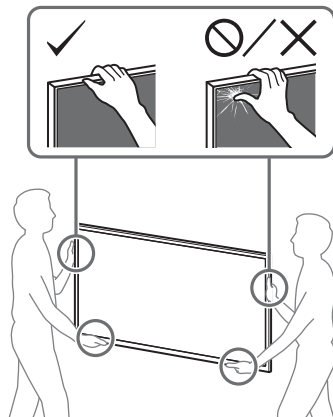
**Remarque**

- Il se peut que le téléviseur ou l'écran LCD ne puisse pas se rapprocher du mur selon le type et le nombre de câbles raccordés. Il ne s'agit pas d'une anomalie.



### AVERTISSEMENT

- Deux personnes ou plus (trois personnes ou plus pour les téléviseurs ou écrans LCD de 189,3 cm (75 pouces) et plus) sont nécessaires pour transporter un grand téléviseur ou un grand écran LCD.



## Confirmation de l'achèvement de l'installation

Vérifiez les points suivants.

- Le cordon et le câble ne sont pas entortillés ou coincés.

### AVERTISSEMENT

- Un positionnement incorrect du cordon d'alimentation CA, etc. pourrait provoquer un incendie ou une électrocution par court-circuit. Pour des raisons de sécurité, assurez-vous de confirmer l'achèvement de l'installation.

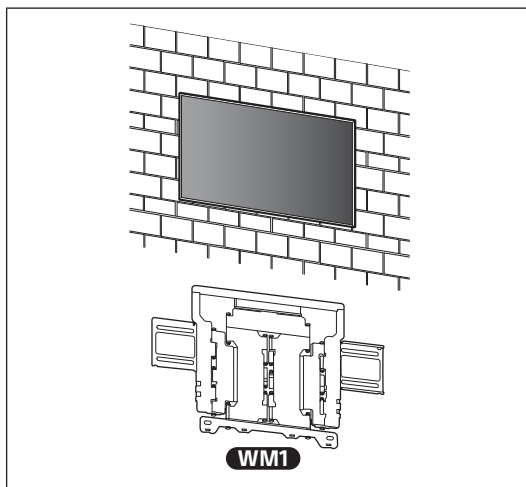
## Autres informations

Pour démonter le téléviseur ou écran LCD, inversez la procédure d'installation précédente.

### AVERTISSEMENT

- Deux personnes ou plus (trois personnes ou plus pour les téléviseurs ou écrans LCD de 189,3 cm (75 pouces) et plus) sont nécessaires pour transporter un grand téléviseur ou un grand écran LCD.

## B Fixation du Support de fixation murale au béton solide ou bloc de béton



## Installation du Support de fixation murale sur le mur

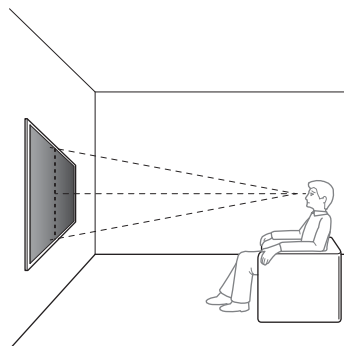
### 1 Décidez de l'emplacement d'installation.

Assurez-vous que le mur offre suffisamment d'espace pour le téléviseur ou écran LCD et qu'il peut supporter un poids équivalent à au moins six fois celui du téléviseur ou écran LCD.

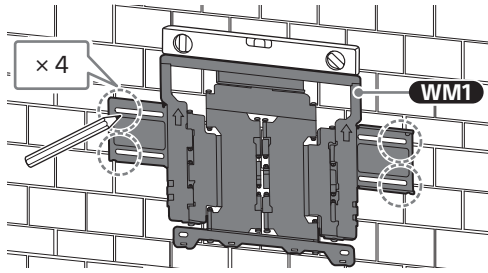
- Reportez-vous à « Mesure pour l'installation du Support de fixation murale » à la page 27.
- Pour connaître le poids du téléviseur ou écran LCD, reportez-vous au Manuel de référence du téléviseur ou écran LCD.

### Remarque

- Lorsque votre téléviseur ou écran LCD est installé au mur, la partie supérieure du téléviseur ou écran LCD est légèrement inclinée vers l'avant.
- Nous vous recommandons de vérifier la position du téléviseur ou écran LCD dans l'environnement de visionnement.



## 2 Alignez **WM1** sur le mur et tracez quatre repères.

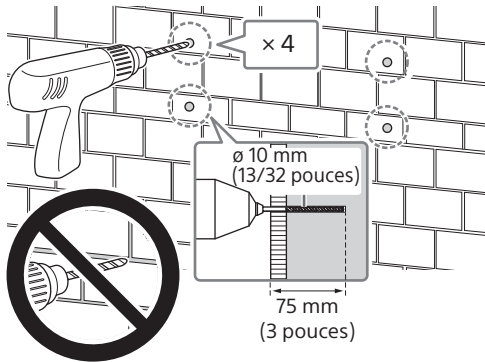


### Remarque

- Utilisez un niveau pour vérifier que **WM1** est de niveau.

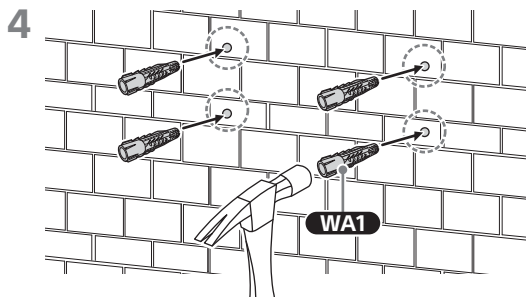
## 3 Percez des avant-trous sur les repères.

Assurez-vous que l'emplacement sur le mur duquel les trous vont être percés est suffisamment solide pour supporter un poids égal au moins à six fois celui du téléviseur ou de l'écran LCD.

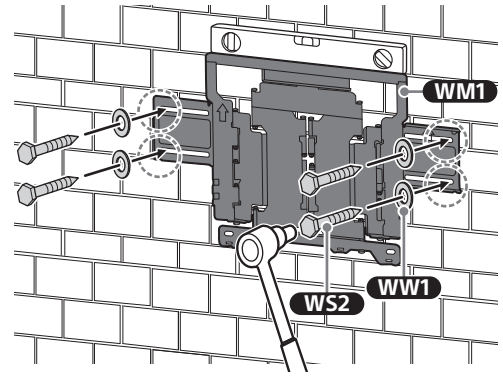


### Remarque

- Des avant-trous doivent être percés à une profondeur de 75 mm (3 pouces), à l'aide d'une mèche de 10 mm (13/32 pouces) de diamètre.



## 5 Installez **WM1** au mur.



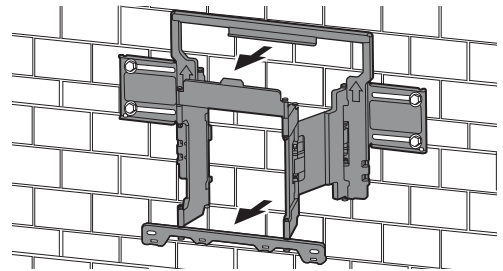
### Remarque

- Utilisez un niveau pour vérifier que **WM1** est de niveau.

### Précautions

- Ne serrez pas excessivement les tirefonds **WS2**. Un serrage incorrect pourrait réduire la capacité de maintien des tirefonds **WS2**.

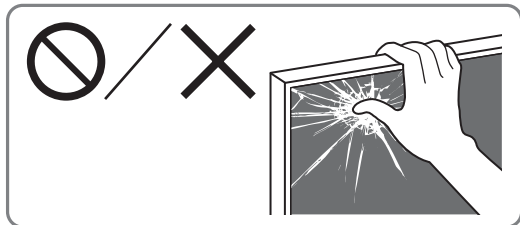
## 6 Tirez le bras du support entièrement vers l'extérieur.



## Préparation pour l'installation du téléviseur ou écran LCD

### Remarque

- Assurez-vous de ranger les vis retirées et les pièces non utilisées dans un endroit sûr, hors de la portée des enfants.

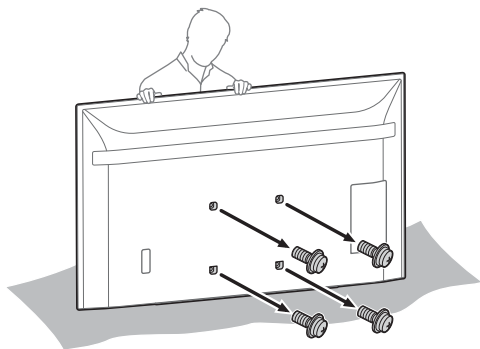


### Installation du téléviseur ou écran LCD au mur à partir de la boîte\*

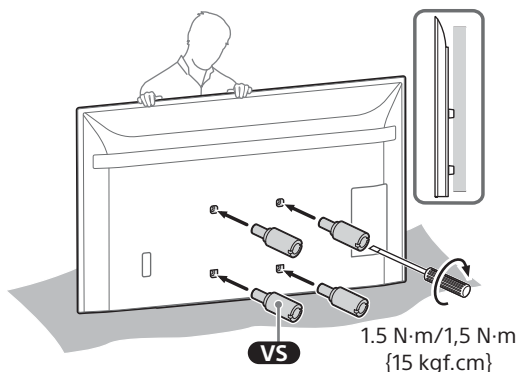
\* Uniquement pour certaines régions/pays/modèles.

FW-75BZ40L / 75BZ35L / 75BZ30L / 75EZ20L / 65BZ40L / 65BZ35L / 65BZ30L / 65EZ20L / 55BZ40L / 55BZ35L / 55BZ30L / 55EZ20L uniquement

### 1 Retirez les vis à l'arrière du téléviseur ou écran LCD.



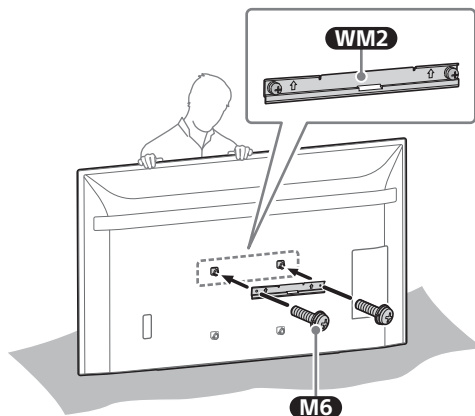
### 2 Installez l'accessoire de fixation murale **VS** (fourni avec le téléviseur ou écran LCD) à l'arrière du téléviseur ou écran LCD (de manière à ce qu'il soit parallèle au mur).



### Remarque

- Assurez-vous de bien serrer l'accessoire de fixation murale **VS** lors de son installation sur le téléviseur ou l'écran LCD. Utilisez uniquement un tournevis plat pour installer l'accessoire de fixation murale **VS**. L'utilisation d'un autre outil pourrait entraîner un serrage excessif de l'accessoire de fixation murale **VS** et endommager le téléviseur ou l'écran LCD.

### 3 Fixez **WM2** au téléviseur ou écran LCD en utilisant **M6**.



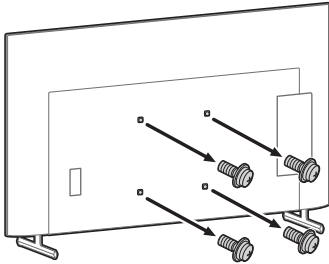
## Installation du téléviseur ou écran LCD au mur à partir du support de table\*

\* Uniquement pour certaines régions/pays/modèles.

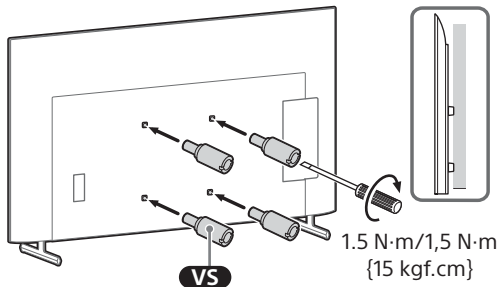
### 1 Fixez le support de table pour faire tenir le téléviseur ou l'écran LCD debout.

- Reportez-vous au manuel de configuration de votre téléviseur ou écran LCD.

### 2 Retirez les vis à l'arrière du téléviseur ou écran LCD.



### 3 Installez l'accessoire de fixation murale **VS** (fourni avec le téléviseur ou écran LCD) à l'arrière du téléviseur ou écran LCD (de manière à ce qu'il soit parallèle au mur).

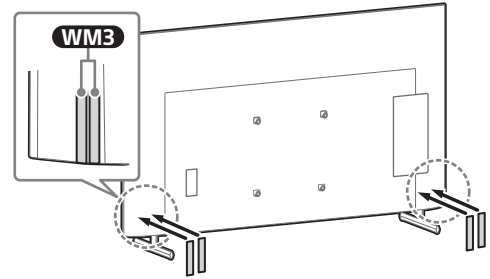


#### Remarque

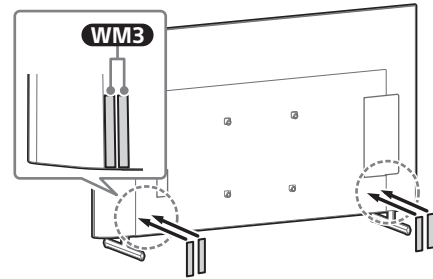
- Assurez-vous de bien serrer l'accessoire de fixation murale **VS** lors de son installation sur le téléviseur ou l'écran LCD. Utilisez uniquement un tournevis plat pour installer l'accessoire de fixation murale **VS**. L'utilisation d'un autre outil pourrait entraîner un serrage excessif de l'accessoire de fixation murale **VS** et endommager le téléviseur ou l'écran LCD.

### 4 Fixez **WM3**.

Sauf FW-75BZ40L / 75BZ35L / 75BZ30L / 75EZ20L / 65BZ40L / 65BZ35L / 65BZ30L / 65EZ20L / 55BZ40L / 55BZ35L / 55BZ30L / 55EZ20L, XR-75X90L / 75X90CL / 65X90L / 65X90CL / 55X90L



XR-75X90L / 75X90CL / 65X90L / 65X90CL / 55X90L uniquement

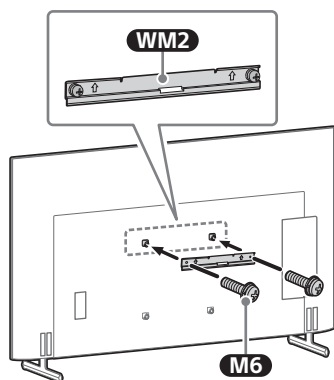


#### Remarque

- Ne pas fixer **WM3** sur les étiquettes.

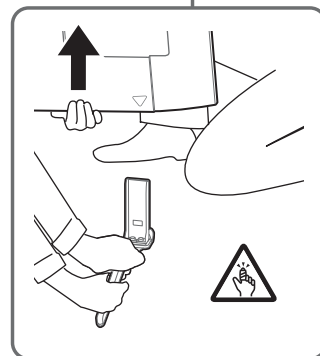
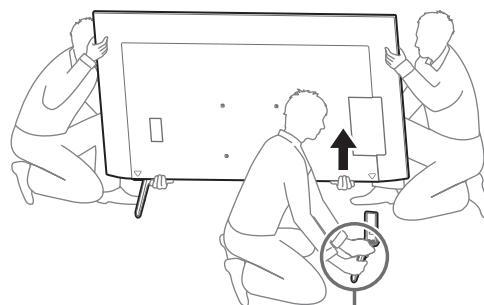
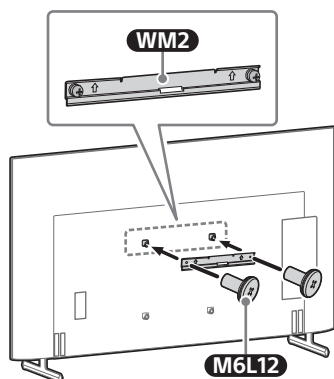
### 5 Sauf XR-75X90L / 75X90CL / 65X90L / 65X90CL / 55X90L

Fixez **WM2** au téléviseur ou écran LCD en utilisant **M6**.



### **XR-75X90L / 75X90CL / 65X90L / 65X90CL / 55X90L uniquement**

Fixez **WM2** au téléviseur ou écran LCD en utilisant **M6L12** (fourni avec le téléviseur ou écran LCD).



- Répétez les étapes précédentes et retirez l'autre côté du support de table.

## **6 Retirez le support de table du téléviseur ou écran LCD.**

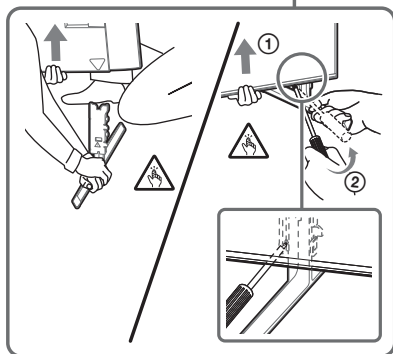
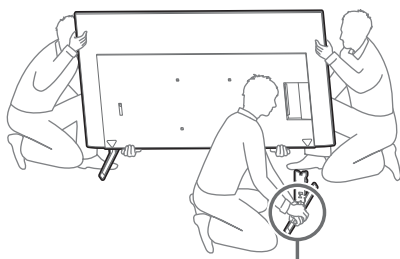
L'illustration suivante montre un exemple d'opération.

Sauf XR-75X90L / 75X90CL / 65X90L / 65X90CL / 55X90L

- Retirez un seul côté du support de table à la fois. Maintenez fermement le support de table avec les deux mains pendant que l'autre personne soulève le téléviseur ou écran LCD.

XR-75X90L / 75X90CL / 65X90L / 65X90CL / 55X90L uniquement

- Retirez un seul côté du support de table à la fois. Maintenez fermement le support de table avec les deux mains pendant que l'autre personne soulève le téléviseur ou écran LCD.

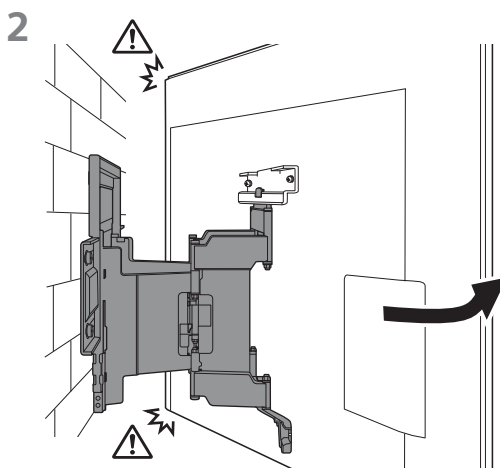
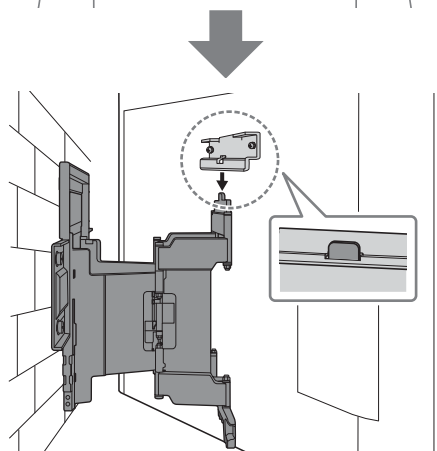
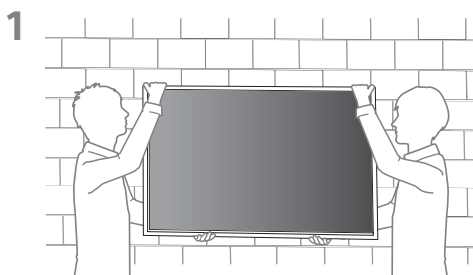
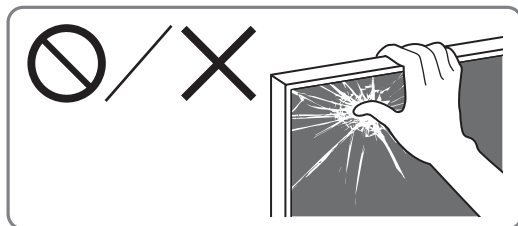


- Répétez les étapes précédentes et retirez l'autre côté du support de table.

#### Remarque

- Trois personnes ou plus sont nécessaires pour démonter le support de table.
- Veillez à ne pas utiliser une force excessive pour démonter le support de table du téléviseur ou écran LCD, car le téléviseur ou écran LCD pourrait tomber et provoquer des blessures ou endommager le téléviseur ou écran LCD.
- Lors de la manipulation du support de table, prenez soin d'éviter d'endommager le téléviseur ou écran LCD.
- Soulevez le téléviseur ou écran LCD avec prudence, car le support de table qui se démonte pourrait basculer et provoquer des blessures.
- Lors du retrait du support de table du téléviseur ou écran LCD, veillez à l'empêcher de tomber et d'endommager la surface sur laquelle le téléviseur ou écran LCD repose.

## Installation du téléviseur ou écran LCD sur le mur



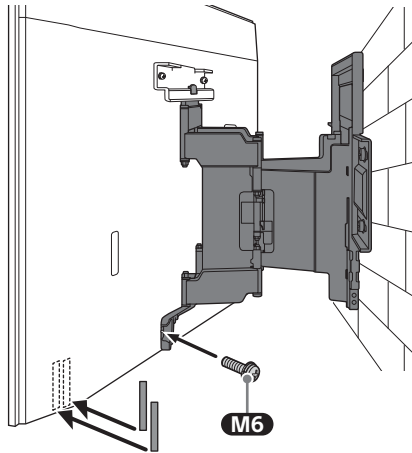
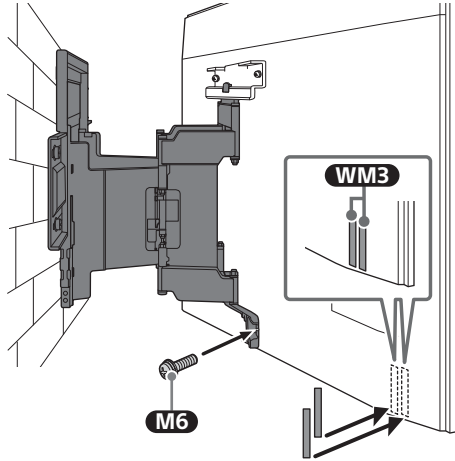
FR

### 3 Vissez les côtés gauche et droit du Support de fixation murale.

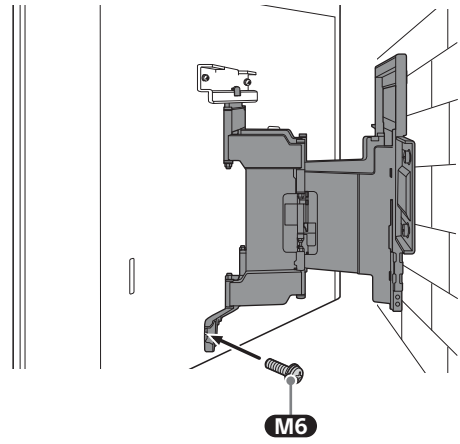
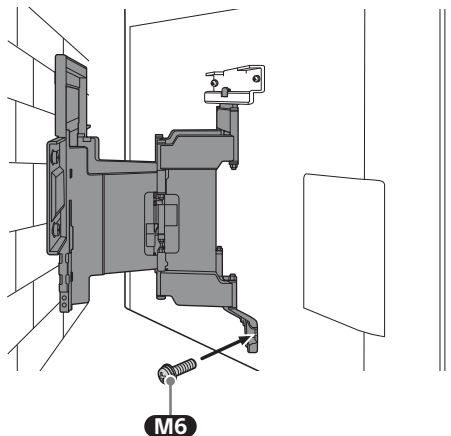
FW-75BZ40L / 75BZ35L / 75BZ30L /  
75EZ20L / 65BZ40L / 65BZ35L / 65BZ30L /  
65EZ20L / 55BZ40L / 55BZ35L / 55BZ30L /  
55EZ20L uniquement

#### Remarque

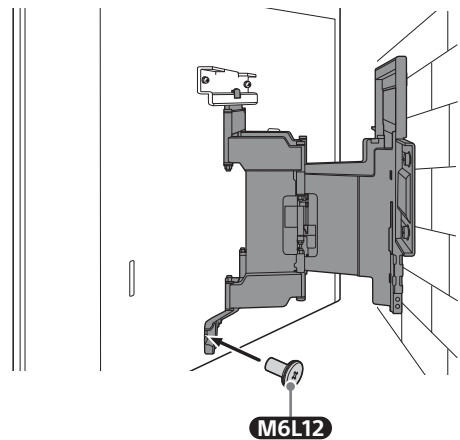
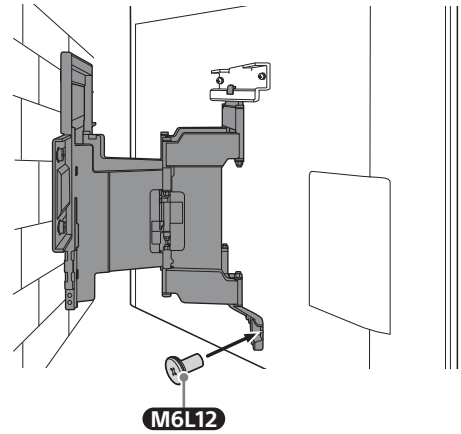
- Ne pas fixer **WM3** sur les étiquettes.



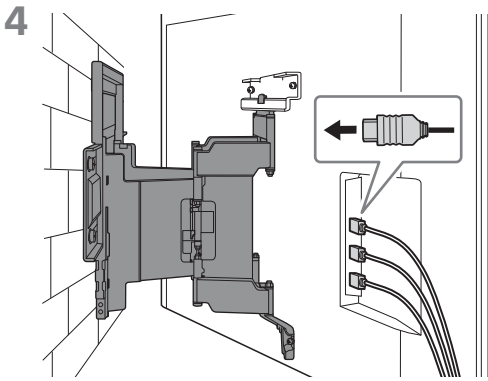
KD-75X77L / 75X77CL / 65X77L / 65X77CL /  
55X77L / 55X77CL uniquement



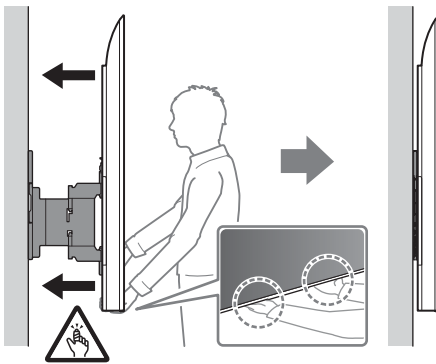
XR-75X90L / 75X90CL / 65X90L / 65X90CL /  
55X90L uniquement





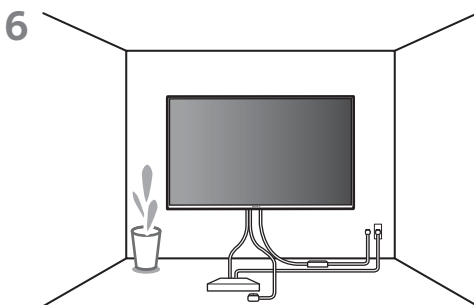


5 Lorsque vous déplacez le téléviseur ou écran LCD, tenez-le fermement par le bas.



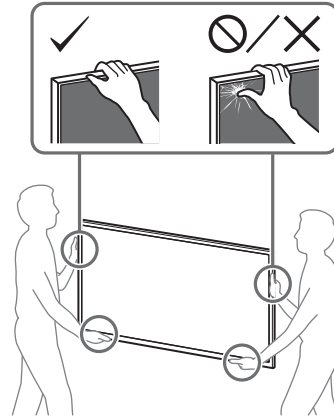
**Remarque**

- Il se peut que le téléviseur ou l'écran LCD ne puisse pas se rapprocher du mur selon le type et le nombre de câbles raccordés. Il ne s'agit pas d'une anomalie.



**AVERTISSEMENT**

- Deux personnes ou plus (trois personnes ou plus pour les téléviseurs ou écrans LCD de 189,3 cm (75 pouces) et plus) sont nécessaires pour transporter un grand téléviseur ou un grand écran LCD.



FR

**Confirmation de l'achèvement de l'installation**

Vérifiez les points suivants.

- Le cordon et le câble ne sont pas entortillés ou coincés.

**AVERTISSEMENT**

- Un positionnement incorrect du cordon d'alimentation CA, etc. pourrait provoquer un incendie ou une électrocution par court-circuit. Pour des raisons de sécurité, assurez-vous de confirmer l'achèvement de l'installation.

**Autres informations**

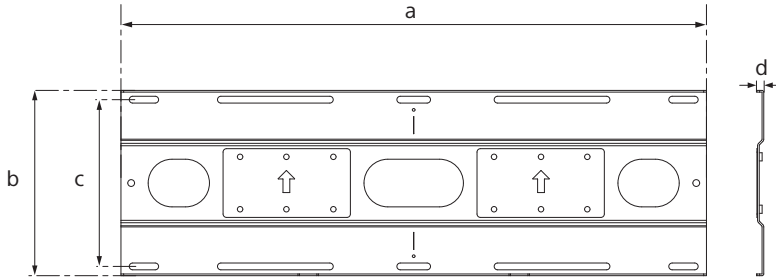
Pour démonter le téléviseur ou écran LCD, inversez la procédure d'installation précédente.

**AVERTISSEMENT**

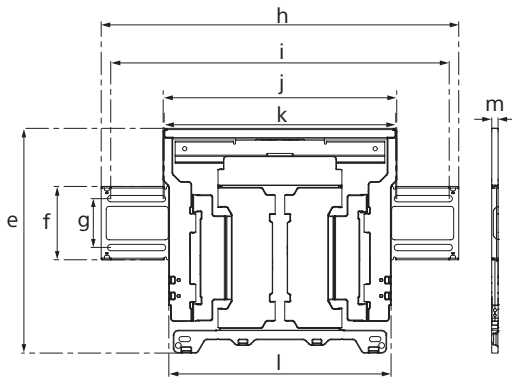
- Deux personnes ou plus (trois personnes ou plus pour les téléviseurs ou écrans LCD de 189,3 cm (75 pouces) et plus) sont nécessaires pour transporter un grand téléviseur ou un grand écran LCD.

# Spécifications

## WM4



## WM1



### Dimensions : (Environ) (mm (pouces))

a	: 860 (33 7/8)	h	: 563 (22 1/4)
b	: 272 (10 3/4)	i	: 533 (21)
c	: 245 (9 3/4)	j	: 370 (14 5/8)
d	: 11 (7/16)	k	: 368 (14 1/2)
e	: 354 (14)	l	: 350 (13 7/8)
f	: 116 (4 5/8)	m	: 11 (7/16)
g	: 77 (3 1/8)		

### Poids (base seulement) : (Environ) (kg (lb.))

**WM4** 4,2 (9,3)

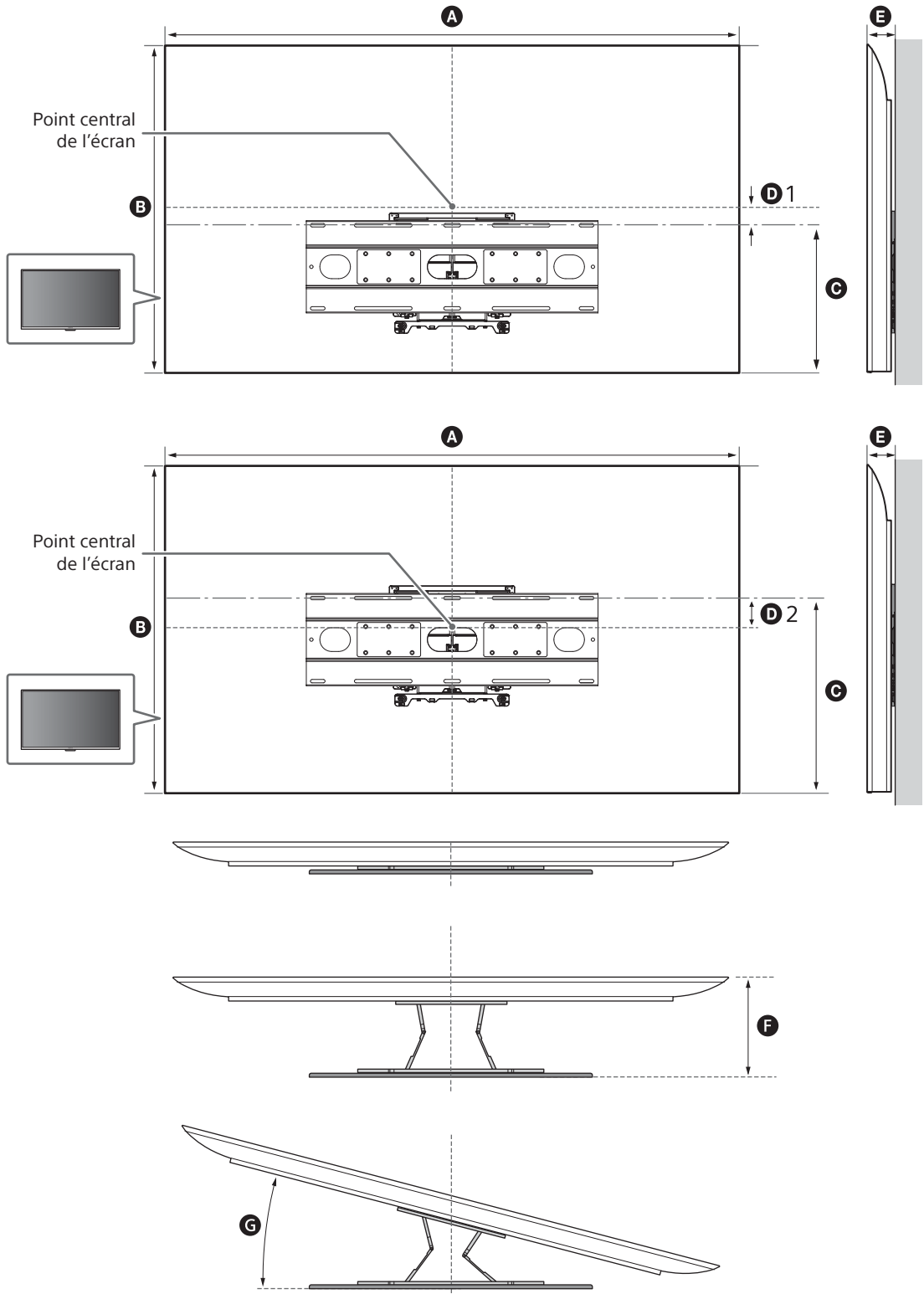
**WM1** 3,0 (6,6)

La conception et les spécifications sont susceptibles d'être modifiées sans préavis.

# Références

## Mesure pour l'installation du support de déplacement latéral sur le mur

Les chiffres repris dans le tableau peuvent varier légèrement selon l'installation.



FR

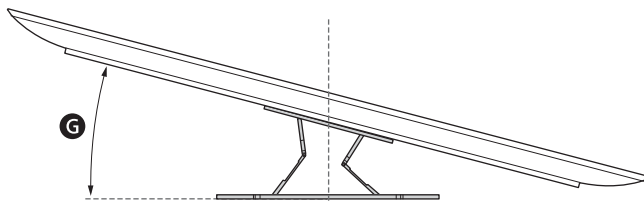
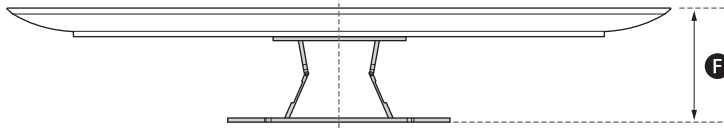
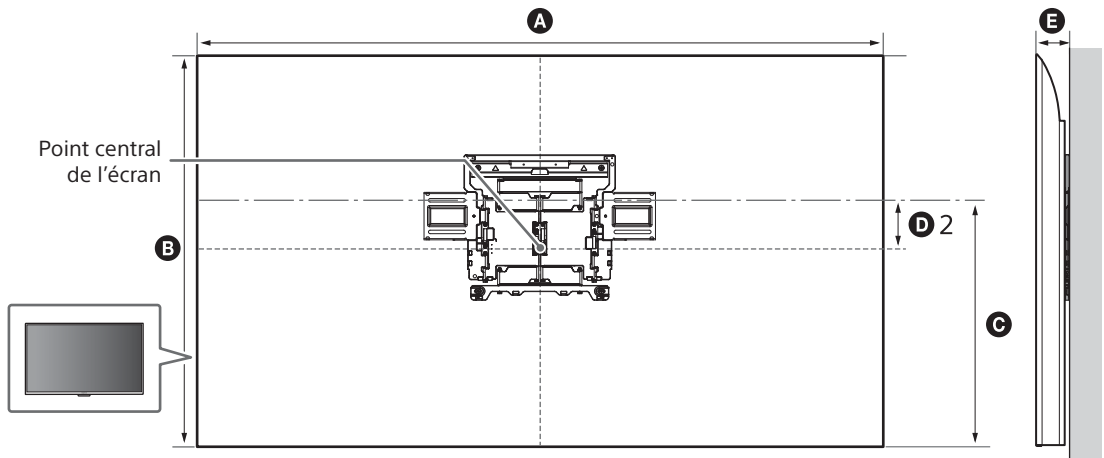
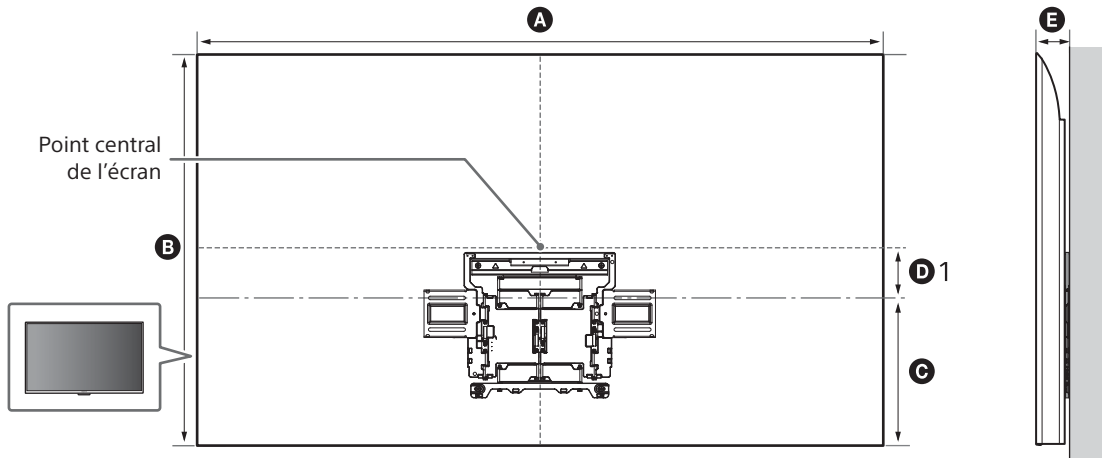
(mm/pouces)

Nom du modèle	<b>A</b>	<b>B</b>	<b>C</b>	<b>D 1</b>	<b>D 2</b>	<b>E</b>	<b>F *</b>	<b>G *</b> (°)
FW-75BZ40L / 75BZ35L / 75BZ30L / 75EZ20L KD-75X77L / 75X77CL	1 686 / 66 1/2	969 / 38 1/4	448 / 17 3/4	39 / 1 9/16	—	96 / 3 7/8	298 / 11 3/4	15
XR-75X90L / 75X90CL	1 668 / 65 3/4	959 / 37 7/8	463 / 18 1/4	25 / 1	—	81 / 3 1/4	284 / 11 1/4	14
FW-65BZ40L / 65BZ35L / 65BZ30L / 65EZ20L KD-65X77L / 65X77CL	1 462 / 57 5/8	842 / 33 1/4	449 / 17 3/4	—	26 / 1 1/16	93 / 3 3/4	297 / 11 3/4	18
XR-65X90L / 65X90CL	1 445 / 57	831 / 32 3/4	460 / 18 1/8	—	39 / 1 9/16	81 / 3 1/4	284 / 11 1/4	17
FW-55BZ40L / 55BZ35L / 55BZ30L / 55EZ20L KD-55X77L / 55X77CL	1 243 / 49	721 / 28 1/2	449 / 17 3/4	—	87 / 3 1/2	93 / 3 3/4	296 / 11 3/4	20
XR-55X90L	1 225 / 48 1/4	707 / 27 7/8	460 / 18 1/8	—	101 / 4	81 / 3 1/4	284 / 11 1/4	19

\* (Environ)

## Mesure pour l'installation du Support de fixation murale

Les chiffres repris dans le tableau peuvent varier légèrement selon l'installation.



FR

(mm/pouces)

Nom du modèle	<b>A</b>	<b>B</b>	<b>C</b>	<b>D 1</b>	<b>D 2</b>	<b>E</b>	<b>F</b> *	<b>G</b> * (°)
FW-75BZ40L / 75BZ35L / 75BZ30L / 75EZ20L KD-75X77L / 75X77CL	1 686 / 66 1/2	969 / 38 1/4	364 / 14 3/8	123 / 4 7/8	—	86 / 3 1/2	288 / 11 3/8	15
XR-75X90L / 75X90CL	1 668 / 65 3/4	959 / 37 7/8	379 / 15	109 / 4 3/8	—	71 / 2 7/8	274 / 10 7/8	14
FW-65BZ40L / 65BZ35L / 65BZ30L / 65EZ20L KD-65X77L / 65X77CL	1 462 / 57 5/8	842 / 33 1/4	365 / 14 3/8	59 / 2 3/8	—	83 / 3 3/8	287 / 11 3/8	18
XR-65X90L / 65X90CL	1 445 / 57	831 / 32 3/4	376 / 14 7/8	46 / 1 13/16	—	71 / 2 7/8	274 / 10 7/8	17
FW-55BZ40L / 55BZ35L / 55BZ30L / 55EZ20L KD-55X77L / 55X77CL	1 243 / 49	721 / 28 1/2	365 / 14 3/8	—	3 / 1/8	83 / 3 3/8	286 / 11 3/8	20
XR-55X90L	1 225 / 48 1/4	707 / 27 7/8	376 / 14 7/8	—	17 / 11/16	71 / 2 7/8	274 / 10 7/8	19

\* (Environ)

# Información de instalación del soporte de montaje mural Sony (SU-WL855)

## Modelos compatibles\*:

\* En los nombres reales de los modelos, "x"/"xx" indica los números y/o caracteres específicos para cada modelo.

**FW-75BZ4xL / 75BZ3xL / 75EZ2xL / 65BZ4xL / 65BZ3xL / 65EZ2xL / 55BZ4xL / 55BZ3xL / 55EZ2xL**

**KD-75X7xL / 75X7xCL / 65X7xL / 65X7xCL / 55X7xL / 55X7xCL**

**XR-75X9xL / 75X9xCL / 65X9xL / 65X9xCL / 55X9xL**

## Información para clientes

Para proteger el producto y por motivos de seguridad, Sony recomienda enérgicamente dejar la instalación del TV o pantalla LCD en manos de un distribuidor de Sony o un contratista certificado. No trate de instalarlo usted mismo.

## Información para distribuidores de Sony y contratistas

Preste suma atención a la seguridad durante la instalación, el mantenimiento periódico y la inspección de este producto.

Se requiere experiencia suficiente para instalar este producto y, en particular, para determinar si el muro puede resistir el peso del TV o pantalla LCD. Deje el montaje de este producto en el muro en manos de un distribuidor de Sony o un contratista certificado y preste la debida atención a la seguridad durante la instalación. Sony no se hace responsable por daños o lesiones causados por una manipulación indebida o una instalación incorrecta.

Para instalar el producto de forma segura y correcta, siga las Instrucciones de uso del soporte de montaje mural, la Guía de configuración del TV o pantalla LCD y las indicaciones de este manual.

# Soporte de montaje mural

## Seguridad

Muchas gracias por la adquisición de este producto.

### Información para clientes

Instalar el TV o pantalla LCD en la pared

#### ADVERTENCIA

#### REQUIERE INSTALACIÓN PROFESIONAL

Este producto solo lo debe instalar un instalador profesional que esté capacitado para determinar la resistencia de la pared para soportar el peso del TV o pantalla LCD. Si no se fija correctamente durante la instalación, el TV o pantalla LCD podría caerse y causar lesiones graves. Sony no será responsable de daños o lesiones ocasionadas por el manejo indebido o instalación incorrecta ni de la instalación de cualquier otro producto distinto al especificado. Sus derechos legales (si existe alguno) no son afectados.

### Para distribuidores de Sony

Para la instalación de este producto, se requieren conocimientos y experiencia suficientes. Asegúrese de leer completamente este manual de instrucciones para realizar el trabajo de instalación de manera segura. Sony no será responsable de daños o lesiones ocasionadas por el manejo indebido o instalación incorrecta. Entregue este manual al cliente después de la instalación.

Este manual de instrucciones muestra la manera correcta de manipular el producto, así como precauciones importantes necesarias para evitar accidentes. Es su responsabilidad leer detenidamente, comprender y seguir todas las instrucciones descritas en este manual. De lo contrario, podrían producirse lesiones personales graves o daños materiales, y se anularía la garantía. Conserve este manual para poder consultarlo en el futuro.

Los productos de Sony están diseñados pensando en la seguridad. Sin embargo, si los productos se utilizan incorrectamente, pueden producirse lesiones graves a causa de un incendio o una descarga, o al volcarse o caerse el producto. Para evitar tales accidentes, asegúrese de observar las precauciones de seguridad.



## PRECAUCIÓN

### Productos especificados

El soporte de montaje mural está diseñado para utilizarse con los TV o pantallas LCD especificados en el producto. Consulte la "Guía de referencia" del TV o pantalla LCD para confirmar que el soporte de montaje mural pueda utilizarse.

### Información para clientes



## ADVERTENCIA

Si no se tienen en cuenta las siguientes precauciones, existe el peligro de sufrir lesiones graves o incluso de muerte a raíz de un incendio o una descarga eléctrica, o a causa de que el producto se caiga.

### Asegúrese de obtener servicios de instalación de contratistas autorizados y de mantener alejados a los niños pequeños durante la instalación.

Si el soporte de montaje mural o del TV o pantalla LCD no están instalados correctamente, pueden ocurrir los accidentes siguientes. Asegúrese de que la instalación la lleven a cabo contratistas autorizados.

- El TV o pantalla LCD podría caerse y provocar lesiones graves como contusiones o fracturas.
- Si la pared en la que se instala el soporte de montaje mural es inestable, desigual o no es perpendicular al suelo, la unidad puede caerse y provocar daños personales o materiales. La pared debe ser capaz de soportar un peso de al menos seis veces el peso del TV o pantalla LCD. (Consulte las instrucciones de su TV o pantalla LCD para obtener información sobre el peso de éste.)
- Si la instalación del soporte de montaje mural en la pared no es lo suficientemente resistente, es posible que la unidad se caiga y provoque daños personales o materiales.

### Asegúrese de obtener servicios de traslado o desmontaje de la pantalla LCD de contratistas autorizados.

Si otras personas que no son contratistas autorizados llevan a cabo el transporte o el desmontaje de la pantalla LCD, esta puede caerse y provocar daños personales y materiales. Para trasladar un TV o pantalla LCD de gran tamaño se necesitan dos o más personas (tres o más personas si se trata de un TV o pantalla LCD de 189,3 cm (75 pulgadas) o más).

### No quite tornillos, etc., después de montar el TV o pantalla LCD.

Si lo hace, el TV o pantalla LCD puede caerse y provocar daños personales o materiales.

### No haga alteraciones a las partes del soporte de montaje mural.

Si lo hace, el soporte de montaje mural puede caerse y provocar daños personales o materiales.

### No instale ningún equipo diferente al producto especificado.

Este soporte de montaje mural se diseñó para utilizarse solo con el producto especificado. Si monta un equipo distinto del especificado, puede caerse o romperse y provocar daños personales o materiales.

### No ponga ninguna carga diferente a la del TV o pantalla LCD en el soporte de montaje mural.

### No sacuda el TV o pantalla LCD hacia la izquierda, la derecha, arriba o abajo.

Si lo hace, el TV o pantalla LCD puede caerse y provocar daños personales o materiales.

### No se apoye ni se cuelgue del TV o pantalla LCD.

No se apoye en el TV o pantalla LCD ni se cuelgue de éste, ya que podría caerle encima y provocar lesiones graves.



## PRECAUCIÓN

Si no se tienen en cuenta las precauciones siguientes, podrían producirse daños personales o materiales.

- Tenga cuidado de no atraparse los dedos cuando manipula el soporte de montaje mural o al mover en sentido giratorio el TV o pantalla LCD.
- Cuando gire el TV o pantalla LCD, muévelo con precaución y tenga cuidado de no golpear a ninguna persona cercana.
- Asegúrese de almacenar las piezas sin usar en un lugar seguro para uso futuro. Mantener lejos de los niños.



## No manipule el producto con fuerza excesiva cuando realice su limpieza o mantenimiento.

No aplique fuerza excesiva en la parte superior del TV o pantalla LCD. Si lo hace, el TV o pantalla LCD puede caerse y provocar daños personales o materiales.

## No coloque este producto cerca de dispositivos médicos.

Este producto (incluidos sus accesorios) contiene imanes que pueden interferir con marcapasos, válvulas de derivación programables para tratamientos para la hidrocefalia u otros productos sanitarios. No coloque el dispositivo cerca de personas que usen tales dispositivos médicos. Si usted lleva uno de estos dispositivos médicos, consulte a su médico antes de utilizar el producto.

## Mantenga el dispositivo fuera del alcance de los niños o de personas que necesitan supervisión.

Este producto (incluidos sus accesorios) tiene imanes. Tragar un imán podría causar daño severo, como peligro de ahogamiento o lesiones intestinales. Si se traga los imanes (o un imán), consulte inmediatamente al médico.

### Aviso

- Si utiliza el TV o pantalla LCD instalado en el soporte de montaje mural durante un largo período de tiempo, es posible que la pared que quede detrás o encima del TV o pantalla LCD se decolore o que, si la pared está empapelada, se despegue el papel, dependiendo del material de la pared.
- Si se quita el soporte de montaje mural después de haber estado instalado en la pared, quedarán los orificios de los tornillos.
- No utilice el soporte de montaje mural en un lugar que esté sujeto a la vibración mecánica.

## Instalación del soporte del montaje mural

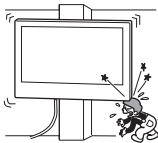
### Para distribuidores de Sony

### ADVERTENCIA

Las siguientes instrucciones son únicamente para distribuidores de Sony. Asegúrese de leer las precauciones de seguridad descritas anteriormente y preste especial atención a la seguridad durante la instalación, el mantenimiento y la comprobación de este producto.

## No instale el soporte de montaje mural sobre superficies de paredes donde las esquinas o los costados del TV o pantalla LCD sobresalgan de la superficie de la pared.

No instale el soporte de montaje mural en superficies de paredes, tales como una columna, en las que puedan sobresalir las esquinas o los lados del TV o pantalla LCD. Si una persona o un objeto se golpea con la esquina o el lado saliente del TV o pantalla LCD, pueden producirse daños personales o materiales.

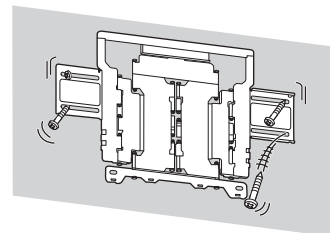
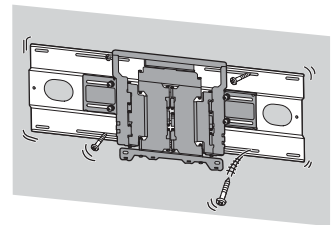


## No instale el TV o pantalla LCD sobre o debajo de un equipo de aire acondicionado.

Si el TV o pantalla LCD queda expuesto a goteo de agua o corriente de aire procedentes del aparato de aire acondicionado durante mucho tiempo, podría producirse un incendio, una descarga eléctrica o una falla de funcionamiento.

## Asegúrese de instalar el soporte de montaje mural firmemente a la pared siguiendo las instrucciones de este manual de instrucciones.

Si alguno de los tornillos se deja flojo o se cae, es posible que se caiga el soporte de montaje mural y ocasione lesiones o daños a la propiedad. Asegúrese de utilizar los tornillos adecuados para el material de la pared e instale la unidad de forma segura, utilizando los tornillos y anclajes suministrados.



## Asegúrese de utilizar los tornillos suministrados y piezas de fijación siguiendo correctamente las instrucciones indicadas en este manual. Si utiliza artículos sustitutos, el TV o pantalla LCD podría caerse y dañarse o provocar daños personales.

## Asegúrese de ensamblar el soporte correctamente siguiendo el procedimiento establecido explicado en este manual de instrucciones.

Si alguno de los tornillos queda suelto o se desprende, el TV o pantalla LCD podría caerse y dañarse o provocar daños personales.

## **Asegúrese de apretar los tornillos firmemente en la posición específica.**

De lo contrario, el TV o pantalla LCD podría caerse y dañarse o provocar daños personales.

## **Tenga cuidado de no someter el TV o pantalla LCD a descargas eléctricas durante la instalación.**

Si el TV o pantalla LCD recibe algún golpe, puede caerse o romperse. Tales percances podrían causar heridas personales.

## **Asegúrese de instalar el TV o pantalla LCD en una pared que sea perpendicular y plana.**

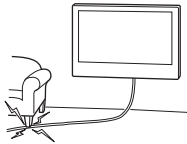
De lo contrario, el TV o pantalla LCD podría caerse y provocar daños personales.

## **Después de instalar el TV o pantalla LCD correctamente, fije los cables apropiadamente.**

Si alguna persona u objeto se enreda con los cables, correrá el peligro de sufrir heridas personales o de dañarse el TV o pantalla LCD.

## **Evite que el cable de alimentación de ca o el cable de conexión queden atrapados.**

Si el cable de alimentación de ca o el cable de conexión quedan atrapados entre la unidad y la pared o si se doblan o tuercen con fuerza, es posible que los conductores internos queden expuestos y que provoquen un cortocircuito o corte eléctrico. Esto podría originar un incendio o producir descargas eléctricas.



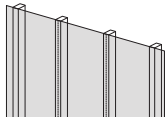
## Antes de comenzar

- Las ilustraciones del TV o la pantalla LCD que se muestran en este manual son ejemplos usados para proporcionar explicaciones claras de los funcionamientos. Por este motivo, las ilustraciones pueden ser diferentes al TV o pantalla LCD real.

### ¿De qué está hecha la pared?

Primero compruebe el tipo de pared para instalar el TV o pantalla LCD. El soporte de montaje mural varía en función del tipo de la pared.

#### Pared de mampostería con pernos de tope

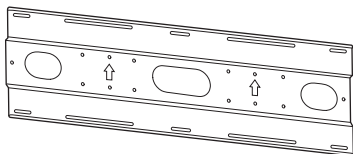


##### Precauciones

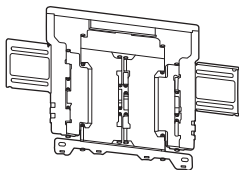
- Grosor máximo de la mampostería: 16 mm (21/32 pulgadas).
- Asegúrese de que el tamaño del perno de tope para madera interno sea de al menos 51 mm × 102 mm (2 1/8 pulgadas × 4 1/8 pulgadas) para el común o 38 mm × 89 mm (1 1/2 pulgadas × 3 5/8 pulgadas) para el nominal.
- Mantenga un espacio horizontal mínimo de 406 mm (16 pulgadas) entre los sujetadores.



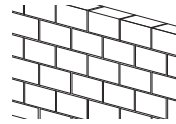
Utilice el soporte de desplazamiento lateral.



+



#### Concreto sólido o bloque de concreto

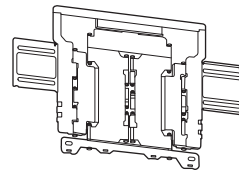


##### Precauciones

- Monte el soporte de montaje mural directamente en la pared de concreto sólido.
- Asegúrese de que el grosor de la pared de concreto sólido sea de al menos 203 mm (8 pulgadas).
- Asegúrese de que el tamaño de cada bloque de concreto sea de al menos 203 mm × 203 mm × 406 mm (8 pulgadas × 8 pulgadas × 16 pulgadas).



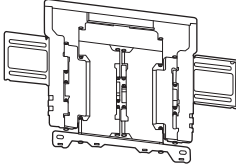

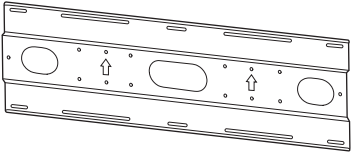






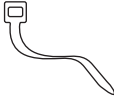

Utilice el soporte de montaje mural.





## Inspección de las piezas

### Piezas suministradas con el soporte SU-WL855

- Verifique que no falten piezas.

<p><b>WM1</b> (x1)</p> 	<p><b>WM2</b> (x1)</p> 	<p><b>WM4</b> (x1)</p> 
<p><b>M6</b> (x4)</p>  <p>6 mm × 20 mm (1/4 pulgadas × 13/16 pulgadas)</p>	<p><b>WS1</b> (x4)</p>  <p>8 mm × 12 mm (11/32 pulgadas × 1/2 pulgadas)</p>	<p><b>WS2</b> (x6)</p>  <p>8 mm × 60 mm (11/32 pulgadas × 2 3/8 pulgadas)</p>
<p><b>WW1</b> (x6)</p> 	<p><b>WW2</b> (x4)</p> 	<p><b>WA1</b> (x4)</p> 
<p><b>WT1</b> (x6)</p> 	<p><b>WM3</b> (x4)</p> 	



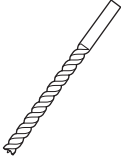
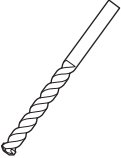
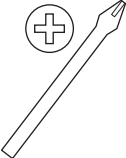
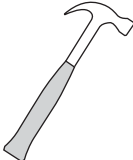
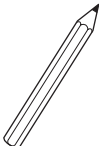
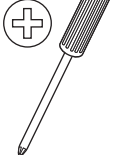
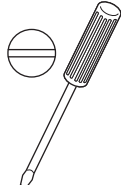
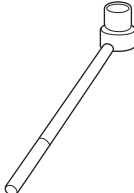

### Provisto con del TV o pantalla LCD

<p>Sujeción del soporte de montaje mural</p> <p><b>VS</b> (x4)*</p> 	<p><b>M6L12</b> (x4)*</p> 
---	---

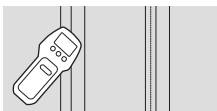
\* Solo para regiones/países/modelos limitados.

## Pasos previos a la instalación

- Tenga a mano la Guía de referencia y la Guía de configuración del TV o pantalla LCD antes de comenzar la instalación.
- Confirme la posición en la que instalará del TV o pantalla LCD.
- Prepare las siguientes herramientas:

<p>*1</p> 		  <p>5,5 mm (7/32 pulgadas)</p> <p>10 mm (13/32 pulgadas)</p>	
<p>*2</p> 		 <p>1,5 N.m/1,5 N· m {15 kgf.cm}</p>	<p>*3</p>  <p>1,5 N.m/1,5 N· m {15 kgf.cm}</p>
<p>13 mm (1/2 pulgadas)</p>  <p>12,5 N.m/12,5 N· m {130 kgf.cm}</p>			

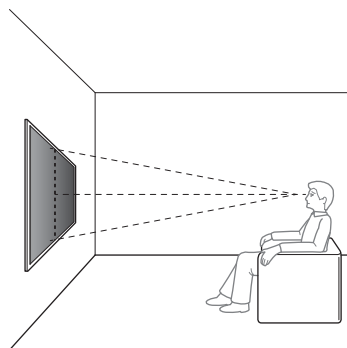
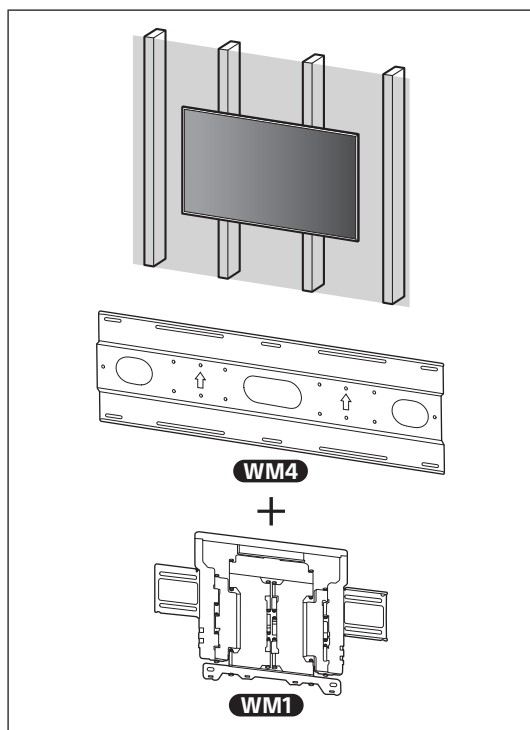
\*1 Solo para pared de mampostería con pernos de tope



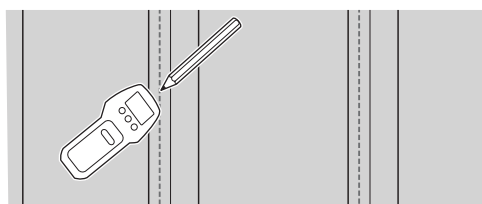
\*2 Solo para concreto sólido o bloque de concreto

\*3 Dependiendo de los modelos

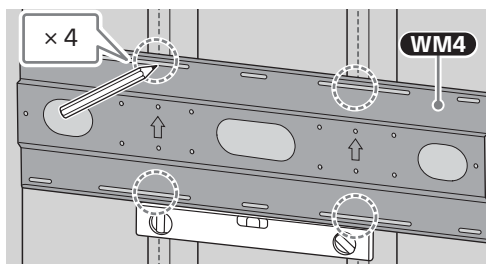
## A Sujeción del soporte de montaje mural en la pared de mampostería con pernos de tope



2



3 Alinee **WM4** a la pared y haga cuatro marcas en línea con los pernos.



## Instalar el soporte de movimiento lateral en la pared

1 Decida dónde va a realizar la instalación.

Asegúrese de que la pared tenga espacio suficiente para el TV o pantalla LCD y pueda soportar un peso que represente al menos seis veces el del TV o pantalla LCD.

- Consulte "Mediciones para la instalación del soporte de movimiento lateral en la pared" en la página 25.
- Además, consulte la Guía de referencia del TV o pantalla LCD para conocer el peso del TV o pantalla LCD.

### Nota

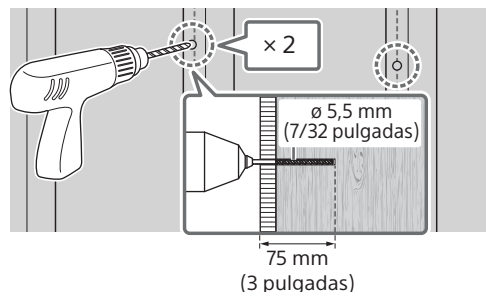
- Cuando el TV o pantalla LCD se instala en un muro, la parte superior del TV o pantalla LCD queda ligeramente inclinada hacia delante.
- Le recomendamos verificar la posición del TV o pantalla LCD en el entorno donde lo va a ver.

### Nota

- Use un nivel para verificar si **WM4** está nivelado.

4 Perfore orificios guía en las marcas superiores.

Asegúrese de que la ubicación en la pared donde se van a perforar los agujeros sea lo suficientemente fuerte para soportar un peso de al menos seis veces el peso del TV o pantalla LCD.

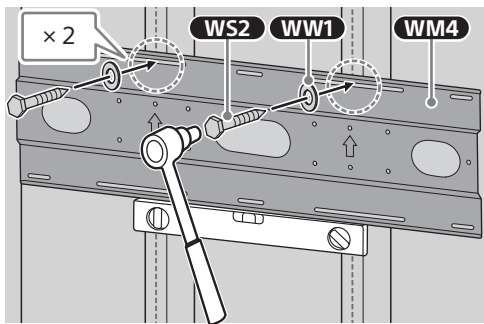


### Nota

- Los agujeros piloto deben perforarse a una profundidad de 75 mm (3 pulgadas), utilizando una broca de 5,5 mm (7/32 pulgadas).

ES

## 5 Instale **WM4** en la pared.



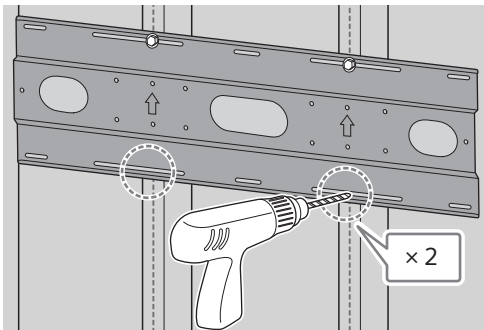
### Nota

- Use un nivel para verificar si **WM4** está nivelado.

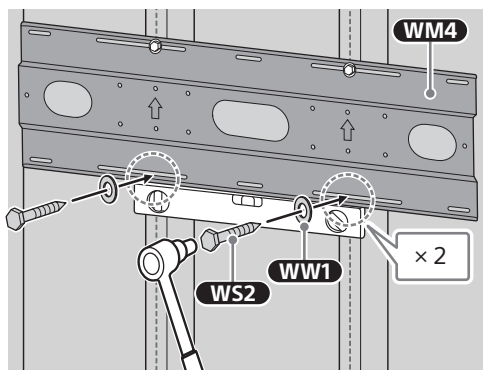
### Precauciones

- No ajuste demasiado los pernos de fijación **WS2**. El ajuste inadecuado puede reducir la capacidad de retención del perno de fijación **WS2**.

## 6 Perfore orificios guía en las marcas inferiores (consulte las instrucciones de perforación en el paso 4).



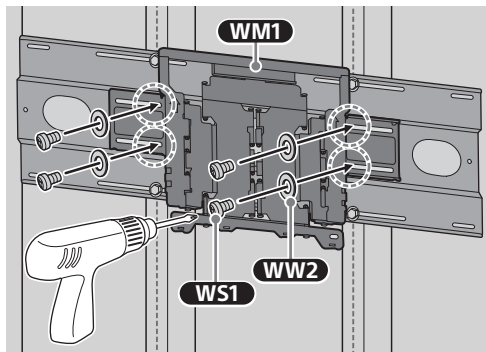
## 7 Inserte los tornillos y los separadores en los orificios.



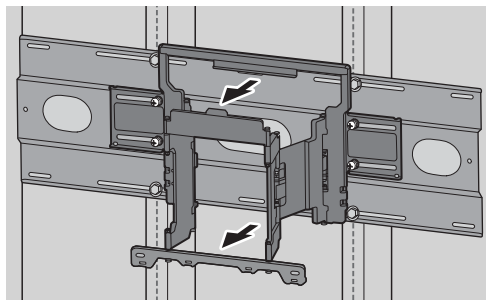
### Nota

- Use un nivel para verificar si **WM4** está nivelado.

## 8



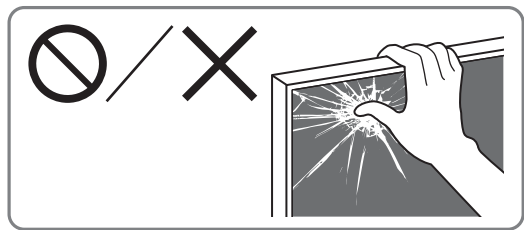
## 9 Jale el brazo del soporte hasta desplegarlo por completo.



## Preparar la instalación del TV o pantalla LCD

### Nota

- Guarde los tornillos quitados y las piezas sin usar en un lugar seguro y manténgalos alejados de los niños.

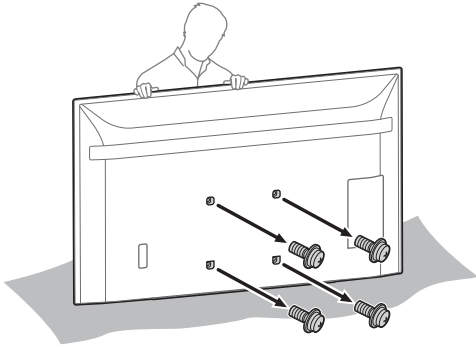


## Instalar el TV o pantalla LCD en la pared directamente desde la caja\*

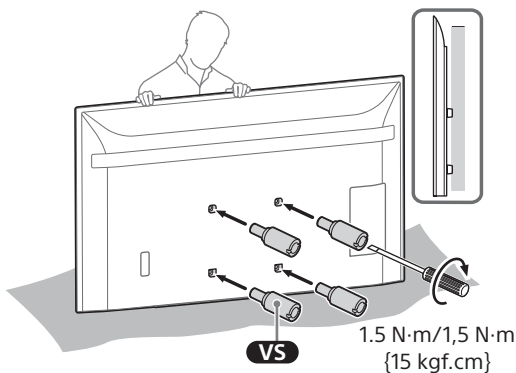
\* Solo para regiones/países/modelos limitados.

Solo FW-75BZ40L / 75BZ35L / 75BZ30L / 75EZ20L / 65BZ40L / 65BZ35L / 65BZ30L / 65EZ20L / 55BZ40L / 55BZ35L / 55BZ30L / 55EZ20L

- 1 Retire los tornillos de la parte trasera del TV o pantalla LCD.



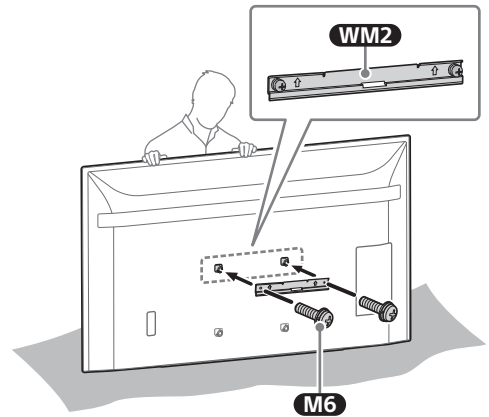
- 2 Coloque la sujeción del soporte de montaje mural **VS** (provisto con el TV o pantalla LCD) a la parte posterior del TV o pantalla LCD (para que esté paralelo a la pared).



### Nota

- Asegúrese de sujetar la sujeción del soporte de montaje mural **VS** al fijarlo al TV o pantalla LCD. Utilice solamente un destornillador de cabeza plana para instalar la sujeción del soporte de montaje mural **VS**. El uso de otra herramienta puede causar el exceso de ajuste del par de apriete en la sujeción del soporte de montaje mural **VS** y dañar el TV o la pantalla LCD.

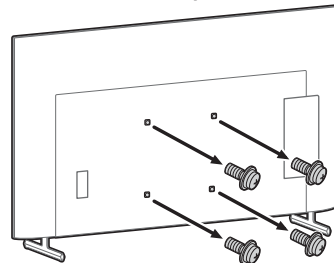
- 3 Una la pieza **WM2** al TV o pantalla LCD con los tornillos **M6**.



## Instalar el TV o pantalla LCD en la pared con un soporte de sobremesa\*

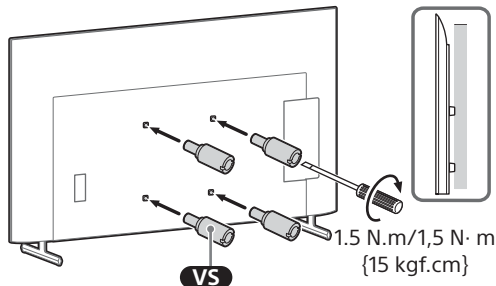
\* Solo para regiones/países/modelos limitados.

- 1 Fije el soporte de sobremesa para apoyar el TV o pantalla LCD.
  - Consulte la Guía de configuración de su TV o pantalla LCD.
- 2 Retire los tornillos de la parte trasera del TV o pantalla LCD.





**3** Coloque la sujeción del soporte de montaje mural **VS** (provisto con el TV o pantalla LCD) a la parte posterior del TV o pantalla LCD (para que esté paralelo a la pared).

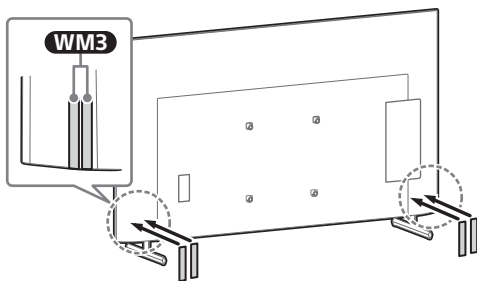


**Nota**

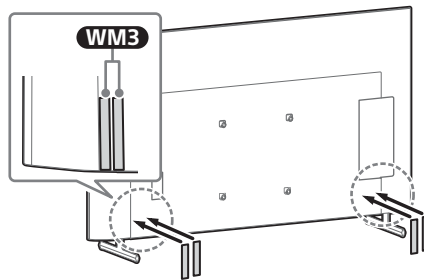
- Asegúrese de sujetar la sujeción del soporte de montaje mural **VS** al fijarlo al TV o pantalla LCD. Utilice solamente un destornillador de cabeza plana para instalar la sujeción del soporte de montaje mural **VS**. El uso de otra herramienta puede causar el exceso de ajuste del par de apriete en la sujeción del soporte de montaje mural **VS** y dañar el TV o la pantalla LCD.

**4** Fije **WM3**.

Excepto FW-75BZ40L / 75BZ35L / 75BZ30L / 75EZ20L / 65BZ40L / 65BZ35L / 65BZ30L / 65EZ20L / 55BZ40L / 55BZ35L / 55BZ30L / 55EZ20L, XR-75X90L / 75X90CL / 65X90L / 65X90CL / 55X90L



Solo XR-75X90L / 75X90CL / 65X90L / 65X90CL / 55X90L



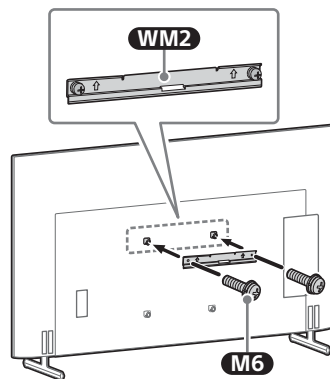
**Nota**

- No instale el **WM3** en las etiquetas.

**5** Excepto XR-75X90L / 75X90CL / 65X90L / 65X90CL / 55X90L

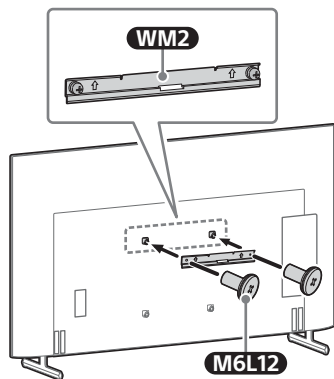
Una la pieza **WM2** al TV o pantalla LCD con los tornillos

**M6**.



## Solo XR-75X90L / 75X90CL / 65X90L / 65X90CL / 55X90L

Una la pieza **WM2** al TV o pantalla LCD con los tornillos **M6L12** (provisto con el TV o pantalla LCD).

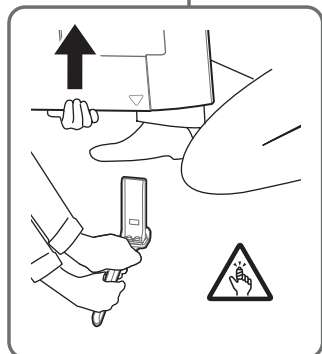
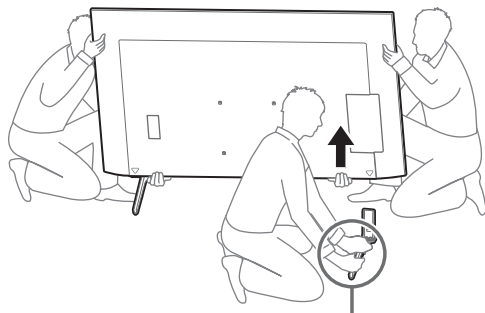


## 6 Separe la mesa auxiliar del TV o pantalla LCD.

La siguiente ilustración es un ejemplo de la operación.

Excepto XR-75X90L / 75X90CL / 65X90L / 65X90CL / 55X90L

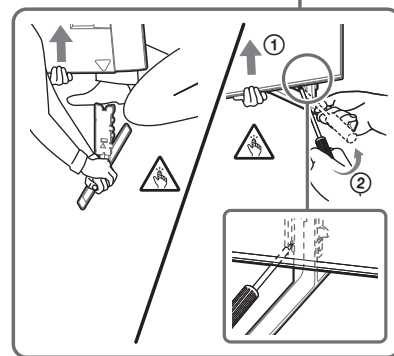
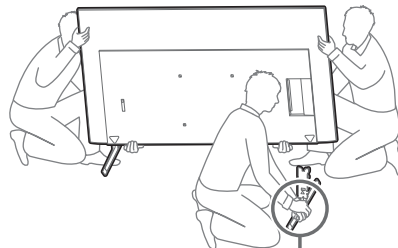
- Retire un lado del soporte de sobremesa a la vez. Sostenga firmemente el soporte de sobremesa con ambas manos y de forma segura mientras otras personas levantan el TV o pantalla LCD.



- Repita el paso anterior y retire el otro lado del soporte de sobremesa.

Solo XR-75X90L / 75X90CL / 65X90L / 65X90CL / 55X90L

- Retire un lado del soporte de sobremesa a la vez. Sostenga firmemente el soporte de sobremesa con ambas manos y de forma segura mientras otras personas levantan el TV o pantalla LCD.

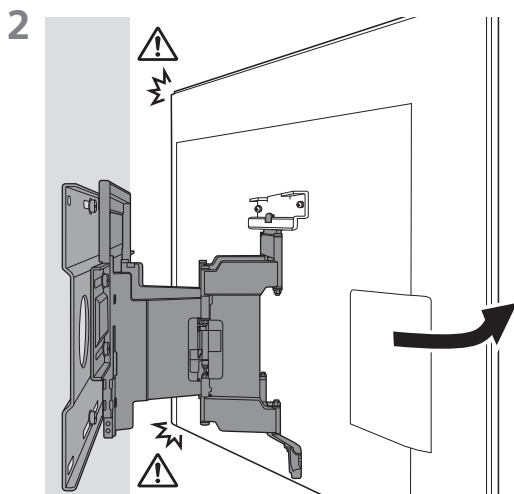
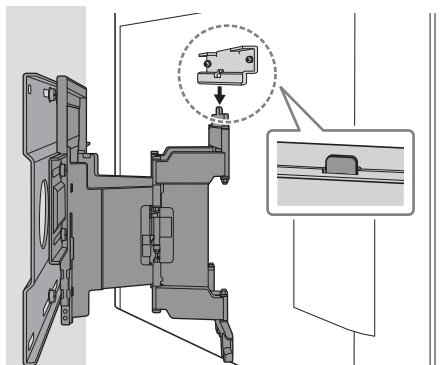
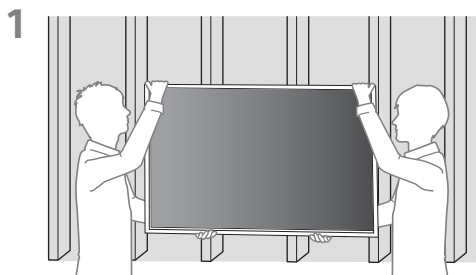
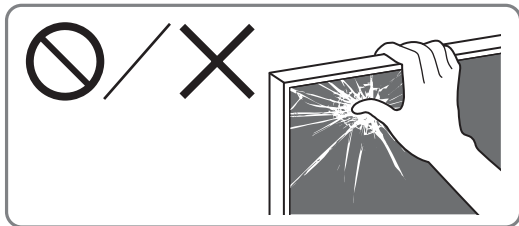


- Repita el paso anterior y retire el otro lado del soporte de sobremesa.

### Nota

- Se requieren tres o más personas para desmontar el soporte de sobremesa.
- Tenga cuidado de no aplicar demasiada fuerza al desmontar el soporte de sobremesa del TV o pantalla LCD ya que puede causar que el TV o pantalla LCD se caiga y cause lesiones personales o daños físicos al TV o pantalla LCD.
- Tenga cuidado al manipular el soporte de sobremesa para evitar daños en el TV o pantalla LCD.
- Tenga cuidado al levantar el TV o pantalla LCD ya que el soporte de sobremesa desmontado se puede caer y causar lesiones personales.
- Tenga cuidado al quitar el soporte de sobremesa del TV o pantalla LCD para evitar que se caiga y dañe la superficie sobre la que está apoyado el TV o pantalla LCD.

## Instalar el TV o pantalla LCD en la pared

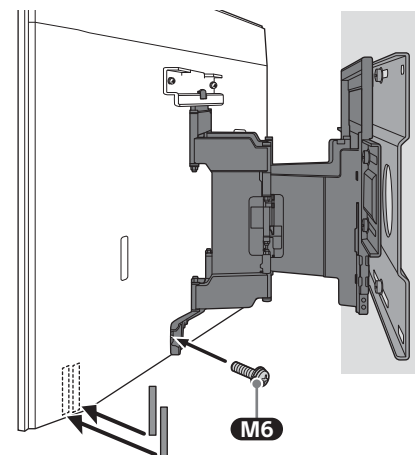
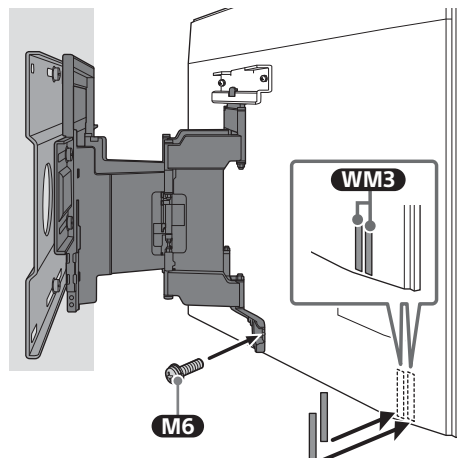


## 3 Atornille el lado izquierdo y el derecho del soporte de montaje mural.

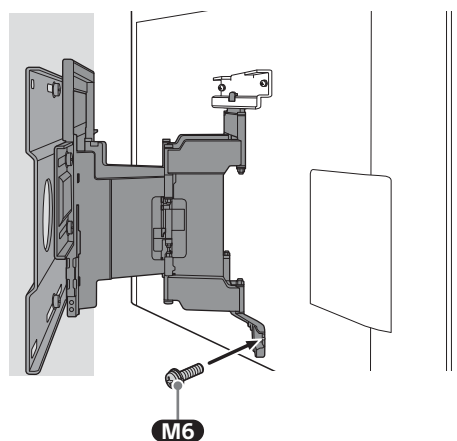
Solo FW-75BZ40L / 75BZ35L / 75BZ30L / 75EZ20L / 65BZ40L / 65BZ35L / 65BZ30L / 65EZ20L / 55BZ40L / 55BZ35L / 55BZ30L / 55EZ20L

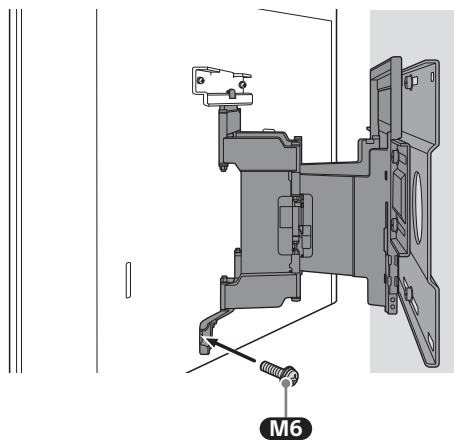
### Nota

- No instale el **WM3** en las etiquetas.

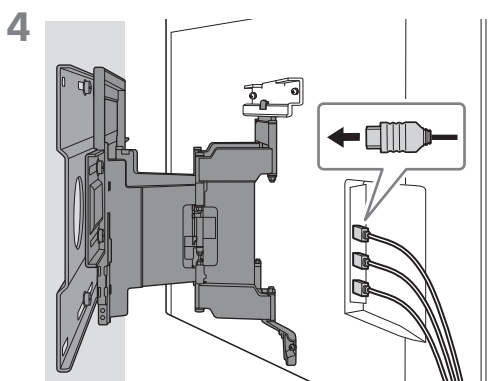
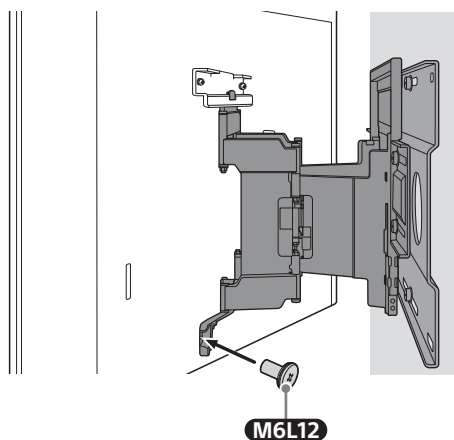
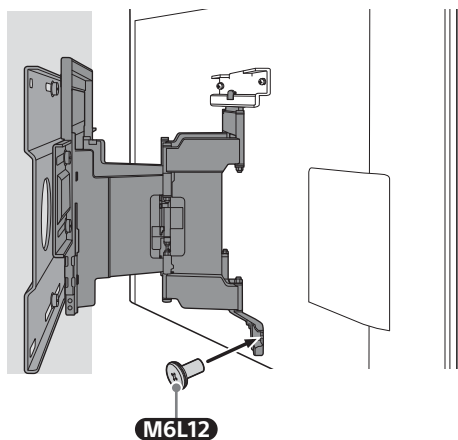


Solo KD-75X77L / 75X77CL / 65X77L / 65X77CL / 55X77L / 55X77CL

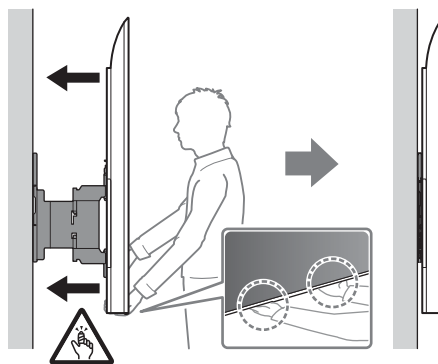




Solo XR-75X90L / 75X90CL / 65X90L / 65X90CL / 55X90L

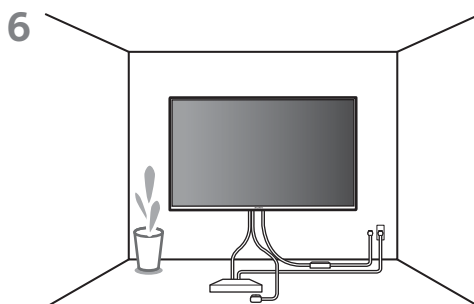


**5** Cuando mueva el TV o pantalla LCD, sosténgalo con firmeza desde la parte inferior.



**Nota**

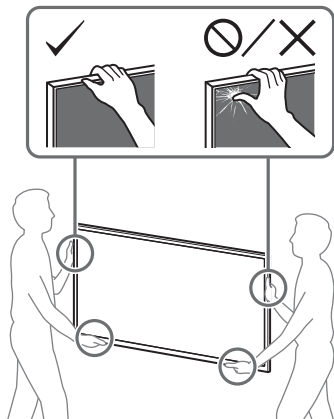
- El TV o pantalla LCD puede no moverse cerca de la pared según el tipo y la cantidad de cables utilizados. Esto no es una falla.



ES

### ADVERTENCIA

- Para trasladar un TV o pantalla LCD de gran tamaño se necesitan dos o más personas (tres o más personas si se trata de un TV o pantalla LCD de 189,3 cm (75 pulgadas) o más).



## Confirmación de la instalación

Para confirmar que la instalación se haya realizado correctamente, compruebe lo siguiente.

- Ninguno de los cables está retorcido ni apretado por alguna pieza.

### ADVERTENCIA

- No ubicar correctamente el cable de alimentación de CA u otros cables podría provocar un incendio o descargas eléctricas si se produce un cortocircuito. No olvide confirmar que la instalación se haya realizado correctamente para garantizar la seguridad.

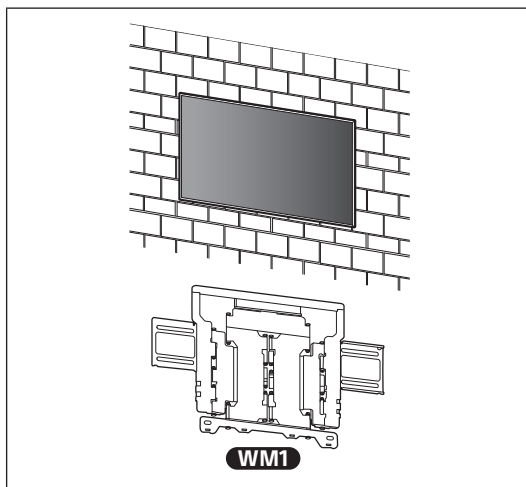
## Otra información

Cuando retire el TV o pantalla LCD, invierta el procedimiento de instalación anterior.

### ADVERTENCIA

- Para trasladar un TV o pantalla LCD de gran tamaño se necesitan dos o más personas (tres o más personas si se trata de un TV o pantalla LCD de 189,3 cm (75 pulgadas) o más).

## B Coloque el soporte de montaje mural al concreto sólido o al bloque de concreto



## Instalar el soporte de montaje mural en la pared

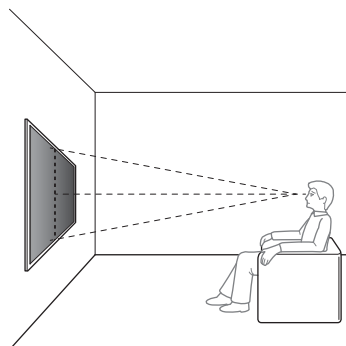
### 1 Decida dónde va a realizar la instalación.

Asegúrese de que la pared tenga espacio suficiente para el TV o pantalla LCD y pueda soportar un peso que represente al menos seis veces el del TV o pantalla LCD.

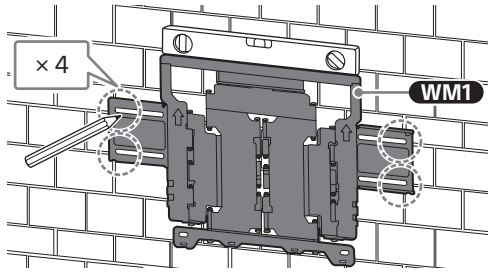
- Consulte "Mediciones para la instalación del soporte de montaje mural" en la página 27.
- Además, consulte la Guía de referencia del TV o pantalla LCD para conocer el peso del TV o pantalla LCD.

### Nota

- Cuando el TV o pantalla LCD se instala en un muro, la parte superior del TV o pantalla LCD queda ligeramente inclinada hacia delante.
- Le recomendamos verificar la posición del TV o pantalla LCD en el entorno donde lo va a ver.



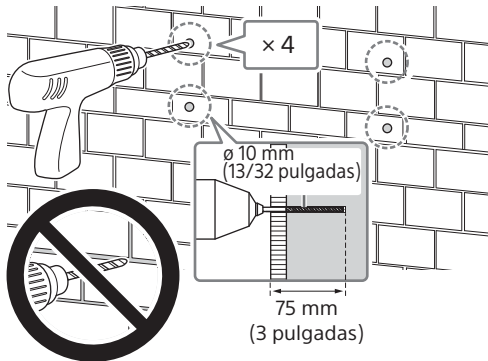
2 Alinee la pieza **WM1** con el muro y haga cuatro marcas.



**Nota**

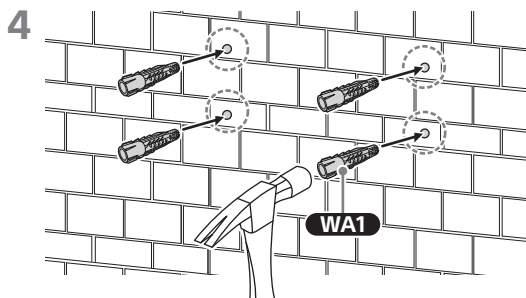
- Use un nivel para verificar si **WM1** está nivelado.

3 Perfore orificios en las marcas. Asegúrese de que la ubicación en la pared donde se van a perforar los agujeros sea lo suficientemente fuerte para soportar un peso de al menos seis veces el peso del TV o pantalla LCD.

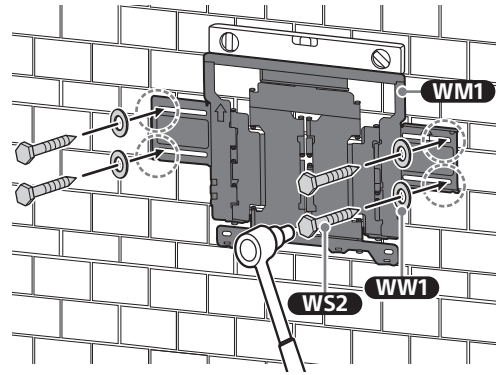


**Nota**

- Los agujeros piloto deben perforarse a una profundidad de 75 mm (3 pulgadas), utilizando una broca de 10 mm (13/32 pulgadas).



5 Instale **WM1** en la pared.



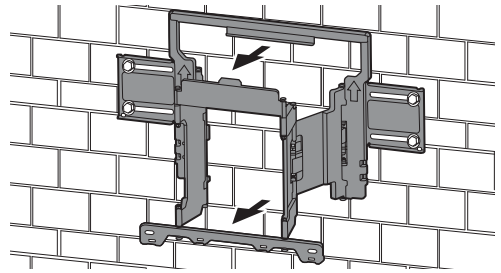
**Nota**

- Use un nivel para verificar si **WM1** está nivelado.

**Precauciones**

- No ajuste demasiado los pernos de fijación **WS2**. El ajuste inadecuado puede reducir la capacidad de retención del perno de fijación **WS2**.

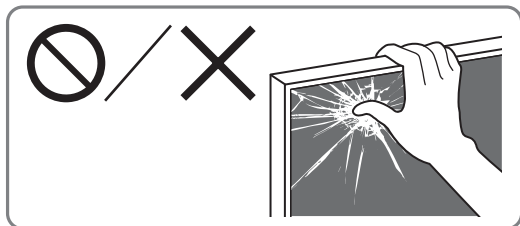
6 Jale el brazo del soporte hasta desplegarlo por completo.



## Preparar la instalación del TV o pantalla LCD

### Nota

- Guarde los tornillos quitados y las piezas sin usar en un lugar seguro y manténgalos alejados de los niños.

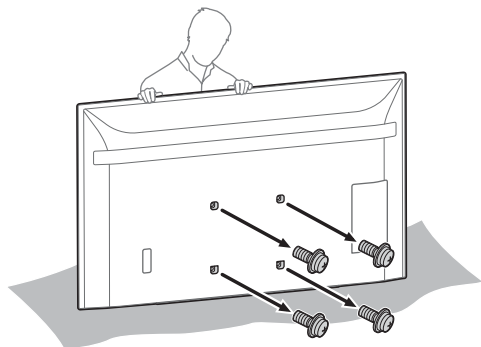


### Instalar el TV o pantalla LCD en la pared directamente desde la caja\*

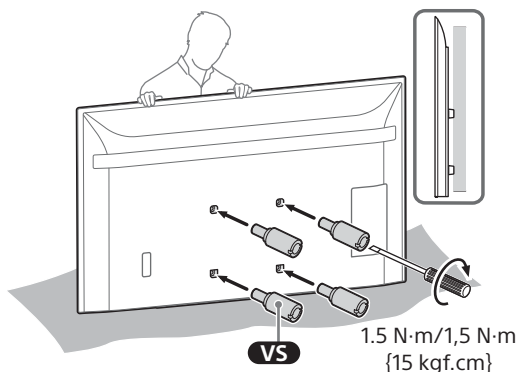
\* Solo para regiones/países/modelos limitados.

Solo FW-75BZ40L / 75BZ35L / 75BZ30L / 75EZ20L / 65BZ40L / 65BZ35L / 65BZ30L / 65EZ20L / 55BZ40L / 55BZ35L / 55BZ30L / 55EZ20L

## 1 Retire los tornillos de la parte trasera del TV o pantalla LCD.



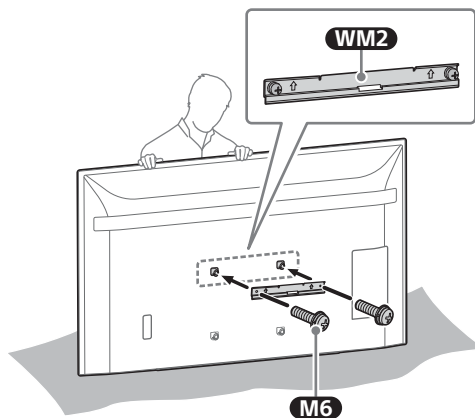
## 2 Coloque la sujeción del soporte de montaje mural **VS** (provisto con el TV o pantalla LCD) a la parte posterior del TV o pantalla LCD (para que esté paralelo a la pared).



### Nota

- Asegúrese de sujetar la sujeción del soporte de montaje mural **VS** al fijarlo al TV o pantalla LCD. Utilice solamente un destornillador de cabeza plana para instalar la sujeción del soporte de montaje mural **VS**. El uso de otra herramienta puede causar el exceso de ajuste del par de apriete en la sujeción del soporte de montaje mural **VS** y dañar el TV o la pantalla LCD.

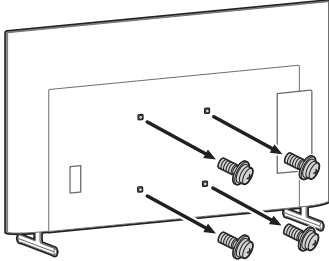
## 3 Una la pieza **WM2** al TV o pantalla LCD con los tornillos **M6**.



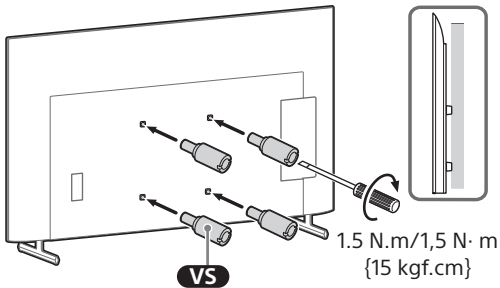
## Instalar el TV o pantalla LCD en la pared con un soporte de sobremesa\*

\* Solo para regiones/países/modelos limitados.

- 1 Fije el soporte de sobremesa para apoyar el TV o pantalla LCD.
  - Consulte la Guía de configuración de su TV o pantalla LCD.
- 2 Retire los tornillos de la parte trasera del TV o pantalla LCD.



- 3 Coloque la sujeción del soporte de montaje mural **VS** (provisto con el TV o pantalla LCD) a la parte posterior del TV o pantalla LCD (para que esté paralelo a la pared).

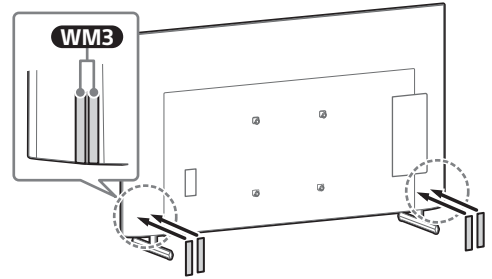


### Nota

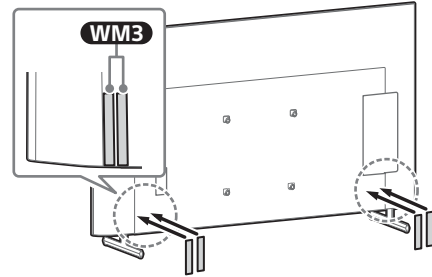
- Asegúrese de sujetar la sujeción del soporte de montaje mural **VS** al fijarlo al TV o pantalla LCD. Utilice solamente un destornillador de cabeza plana para instalar la sujeción del soporte de montaje mural **VS**. El uso de otra herramienta puede causar el exceso de ajuste del par de apriete en la sujeción del soporte de montaje mural **VS** y dañar el TV o la pantalla LCD.

- 4 Fije **WM3**.

Excepto FW-75BZ40L / 75BZ35L / 75BZ30L / 75EZ20L / 65BZ40L / 65BZ35L / 65BZ30L / 65EZ20L / 55BZ40L / 55BZ35L / 55BZ30L / 55EZ20L, XR-75X90L / 75X90CL / 65X90L / 65X90CL / 55X90L



Solo XR-75X90L / 75X90CL / 65X90L / 65X90CL / 55X90L



### Nota

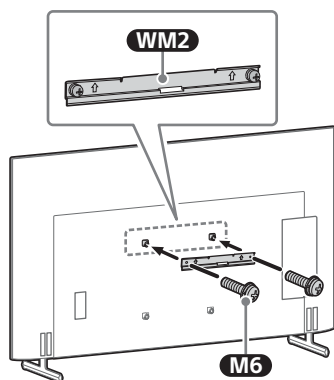
- No instale el **WM3** en las etiquetas.

- 5 Excepto XR-75X90L / 75X90CL / 65X90L / 65X90CL / 55X90L

Una la pieza **WM2** al TV o pantalla LCD con los tornillos

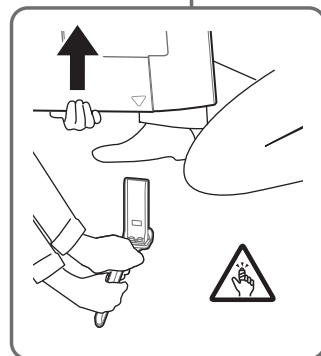
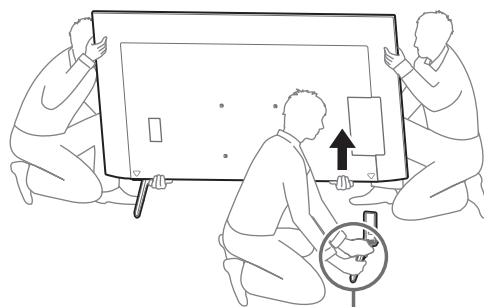
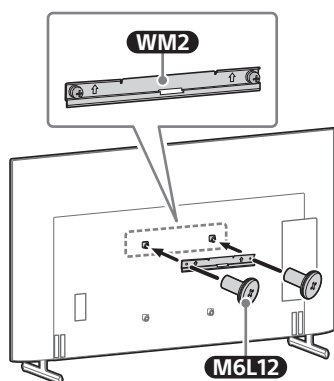
**M6**.





### Solo XR-75X90L / 75X90CL / 65X90L / 65X90CL / 55X90L

Una la pieza **WM2** al TV o pantalla LCD con los tornillos **M6L12** (provisto con el TV o pantalla LCD).



- Repita el paso anterior y retire el otro lado del soporte de sobremesa.

## 6 Separe la mesa auxiliar del TV o pantalla LCD.

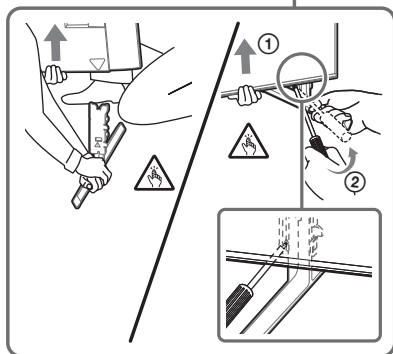
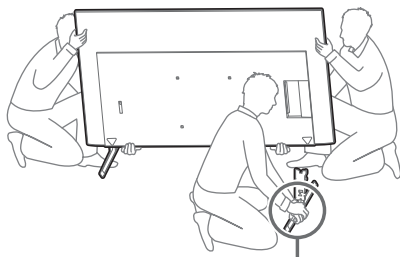
La siguiente ilustración es un ejemplo de la operación.

Excepto XR-75X90L / 75X90CL / 65X90L / 65X90CL / 55X90L

- Retire un lado del soporte de sobremesa a la vez. Sostenga firmemente el soporte de sobremesa con ambas manos y de forma segura mientras otras personas levantan el TV o pantalla LCD.

Solo XR-75X90L / 75X90CL / 65X90L / 65X90CL / 55X90L

- Retire un lado del soporte de sobremesa a la vez. Sostenga firmemente el soporte de sobremesa con ambas manos y de forma segura mientras otras personas levantan el TV o pantalla LCD.

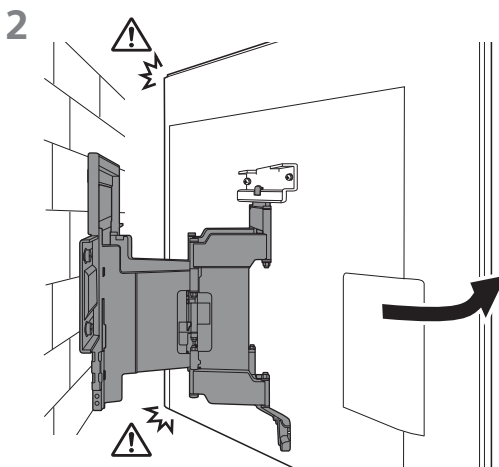
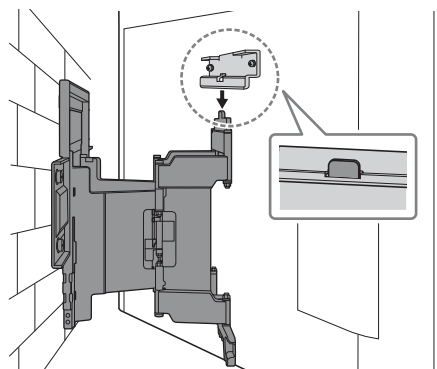
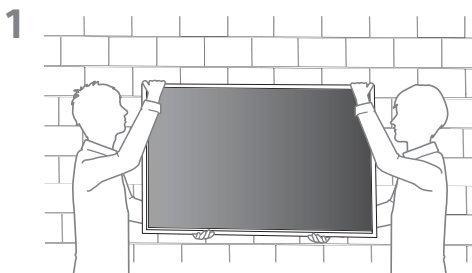
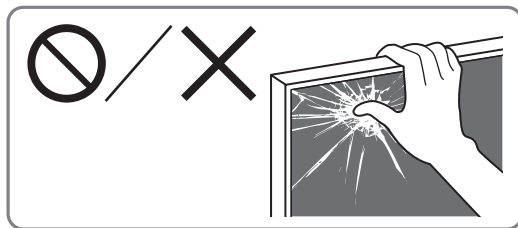


- Repita el paso anterior y retire el otro lado del soporte de sobremesa.

#### Nota

- Se requieren tres o más personas para desmontar el soporte de sobremesa.
- Tenga cuidado de no aplicar demasiada fuerza al desmontar el soporte de sobremesa del TV o pantalla LCD ya que puede causar que el TV o pantalla LCD se caiga y cause lesiones personales o daños físicos al TV o pantalla LCD.
- Tenga cuidado al manipular el soporte de sobremesa para evitar daños en el TV o pantalla LCD.
- Tenga cuidado al levantar el TV o pantalla LCD ya que el soporte de sobremesa desmontado se puede caer y causar lesiones personales.
- Tenga cuidado al quitar el soporte de sobremesa del TV o pantalla LCD para evitar que se caiga y dañe la superficie sobre la que está apoyado el TV o pantalla LCD.

## Instalar el TV o pantalla LCD en la pared



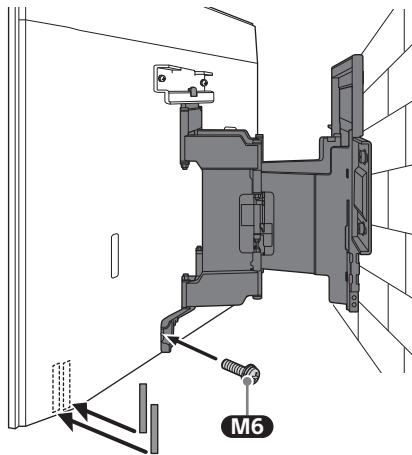
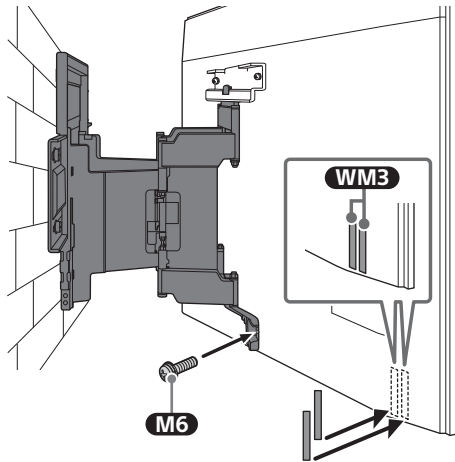
ES

### 3 Atornille el lado izquierdo y el derecho del soporte de montaje mural.

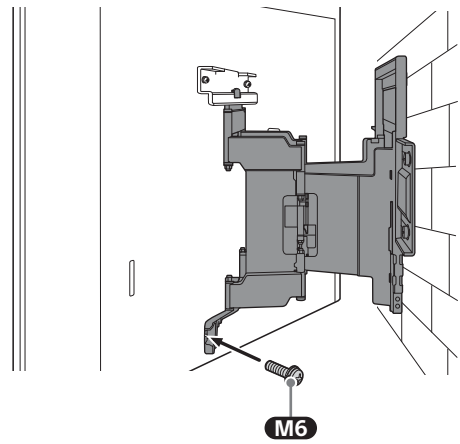
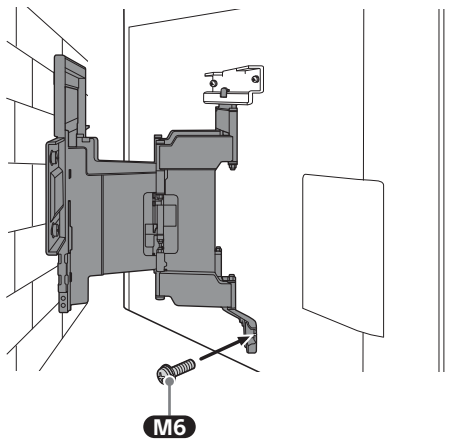
Solo FW-75BZ40L / 75BZ35L / 75BZ30L /  
75EZ20L / 65BZ40L / 65BZ35L / 65BZ30L /  
65EZ20L / 55BZ40L / 55BZ35L / 55BZ30L /  
55EZ20L

#### Nota

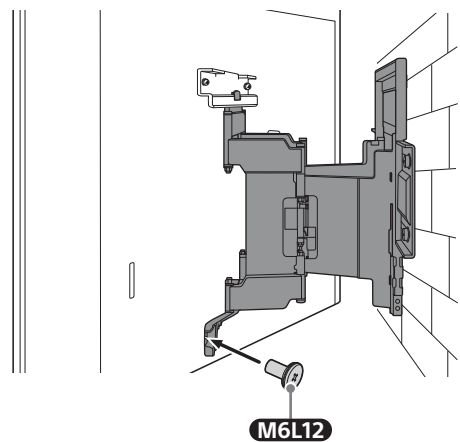
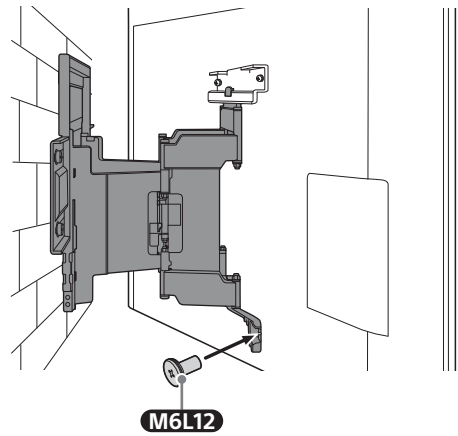
- No instale el **WM3** en las etiquetas.

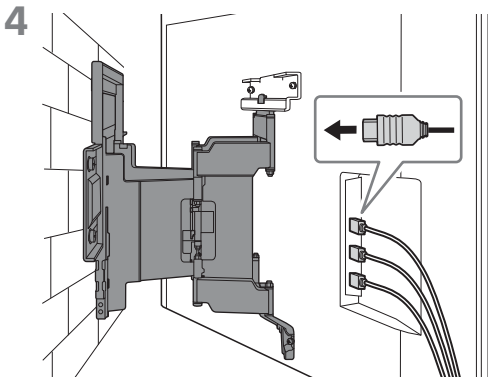


Solo KD-75X77L / 75X77CL / 65X77L /  
65X77CL / 55X77L / 55X77CL

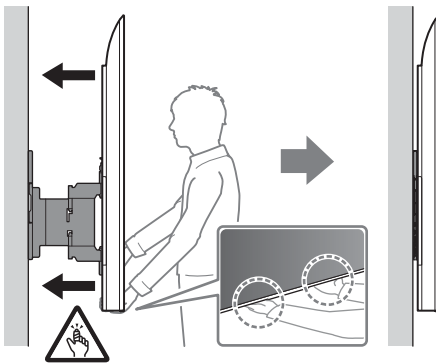


Solo XR-75X90L / 75X90CL / 65X90L /  
65X90CL / 55X90L



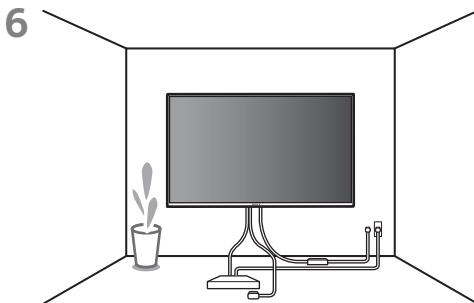


5 Cuando mueva el TV o pantalla LCD, sosténgalo con firmeza desde la parte inferior.



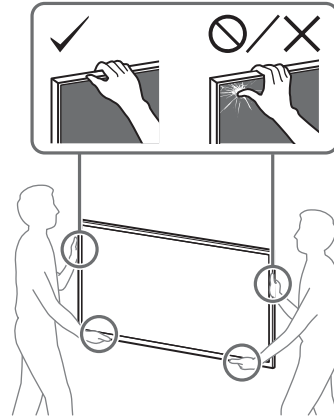
**Nota**

- El TV o pantalla LCD puede no moverse cerca de la pared según el tipo y la cantidad de cables utilizados. Esto no es una falla.



**ADVERTENCIA**

- Para trasladar un TV o pantalla LCD de gran tamaño se necesitan dos o más personas (tres o más personas si se trata de un TV o pantalla LCD de 189,3 cm (75 pulgadas) o más).



**Confirmación de la instalación**

Para confirmar que la instalación se haya realizado correctamente, compruebe lo siguiente.

- Ninguno de los cables está retorcido ni apretado por alguna pieza.

**ADVERTENCIA**

- No ubicar correctamente el cable de alimentación de CA u otros cables podría provocar un incendio o descargas eléctricas si se produce un cortocircuito. No olvide confirmar que la instalación se haya realizado correctamente para garantizar la seguridad.

**Otra información**

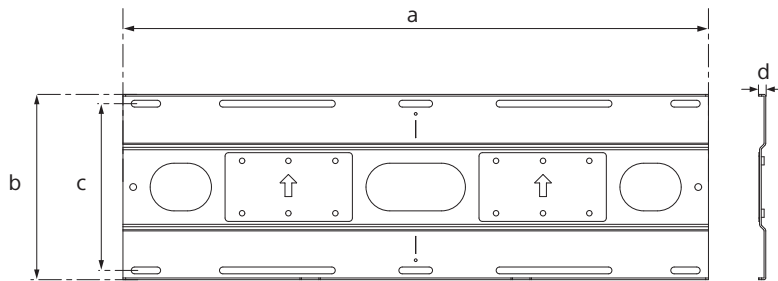
Cuando retire el TV o pantalla LCD, invierta el procedimiento de instalación anterior.

**ADVERTENCIA**

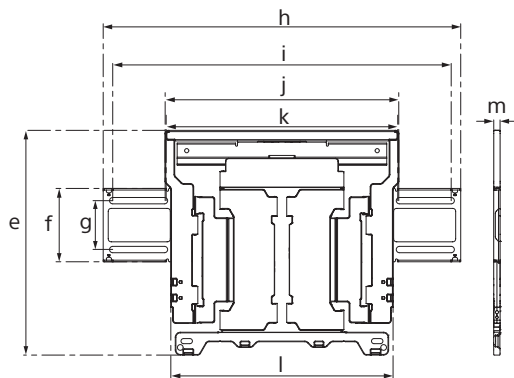
- Para trasladar un TV o pantalla LCD de gran tamaño se necesitan dos o más personas (tres o más personas si se trata de un TV o pantalla LCD de 189,3 cm (75 pulgadas) o más).

# Especificaciones

## WM4



## WM1



### Dimensiones: (Aprox.) (mm (pulgadas))

a	: 860 (33 7/8)	h	: 563 (22 1/4)
b	: 272 (10 3/4)	i	: 533 (21)
c	: 245 (9 3/4)	j	: 370 (14 5/8)
d	: 11 (7/16)	k	: 368 (14 1/2)
e	: 354 (14)	l	: 350 (13 7/8)
f	: 116 (4 5/8)	m	: 11 (7/16)
g	: 77 (3 1/8)		

### Peso (solo de la base): (Aprox.) (kg (lb.))

**WM4** 4,2 (9,3)

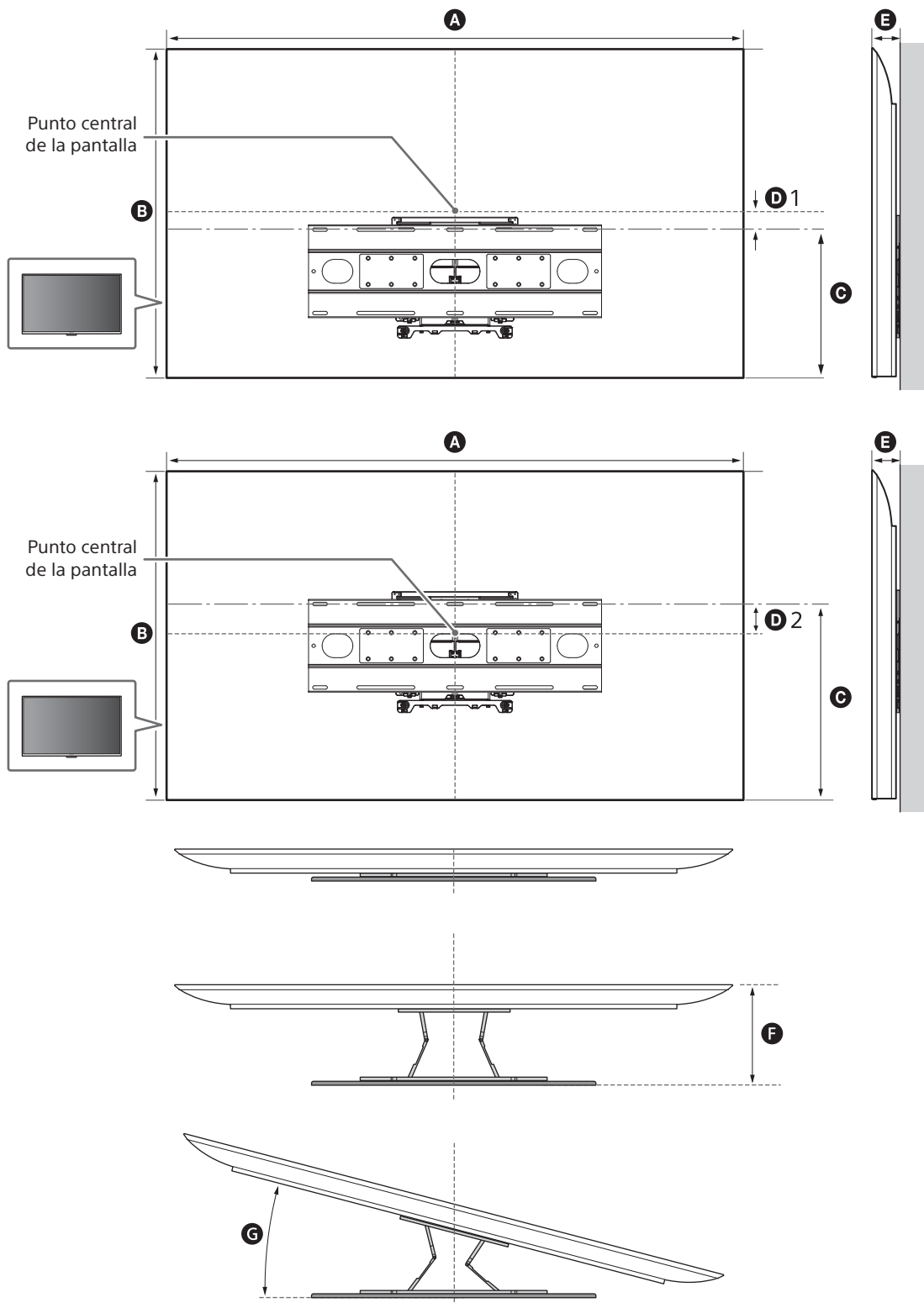
**WM1** 3,0 (6,6)

El diseño y las especificaciones pueden cambiar sin aviso.

## Referencias

### Mediciones para la instalación del soporte de movimiento lateral en la pared

Las cifras de la tabla pueden variar levemente según el tipo de instalación.



ES

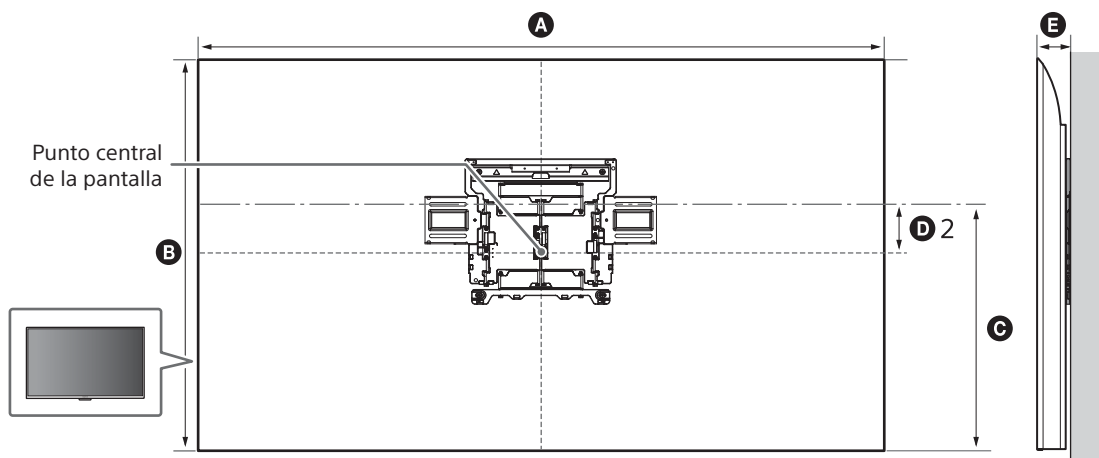
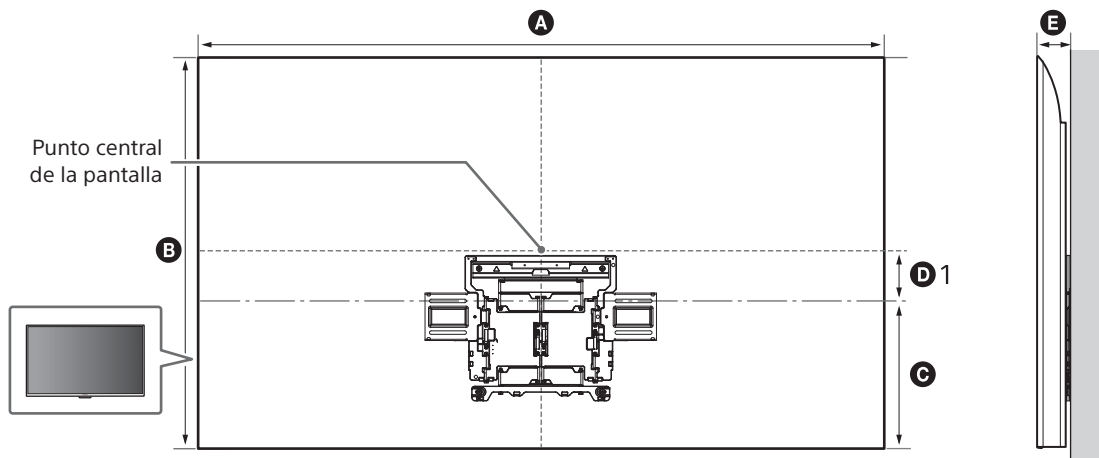
(mm/pulgadas)

Nombre de modelo	<b>A</b>	<b>B</b>	<b>C</b>	<b>D 1</b>	<b>D 2</b>	<b>E</b>	<b>F</b> *	<b>G</b> * (°)
FW-75BZ40L / 75BZ35L / 75BZ30L / 75EZ20L KD-75X77L / 75X77CL	1 686 / 66 1/2	969 / 38 1/4	448 / 17 3/4	39 / 1 9/16	—	96 / 3 7/8	298 / 11 3/4	15
XR-75X90L / 75X90CL	1 668 / 65 3/4	959 / 37 7/8	463 / 18 1/4	25 / 1	—	81 / 3 1/4	284 / 11 1/4	14
FW-65BZ40L / 65BZ35L / 65BZ30L / 65EZ20L KD-65X77L / 65X77CL	1 462 / 57 5/8	842 / 33 1/4	449 / 17 3/4	—	26 / 1 1/16	93 / 3 3/4	297 / 11 3/4	18
XR-65X90L / 65X90CL	1 445 / 57	831 / 32 3/4	460 / 18 1/8	—	39 / 1 9/16	81 / 3 1/4	284 / 11 1/4	17
FW-55BZ40L / 55BZ35L / 55BZ30L / 55EZ20L KD-55X77L / 55X77CL	1 243 / 49	721 / 28 1/2	449 / 17 3/4	—	87 / 3 1/2	93 / 3 3/4	296 / 11 3/4	20
XR-55X90L	1 225 / 48 1/4	707 / 27 7/8	460 / 18 1/8	—	101 / 4	81 / 3 1/4	284 / 11 1/4	19

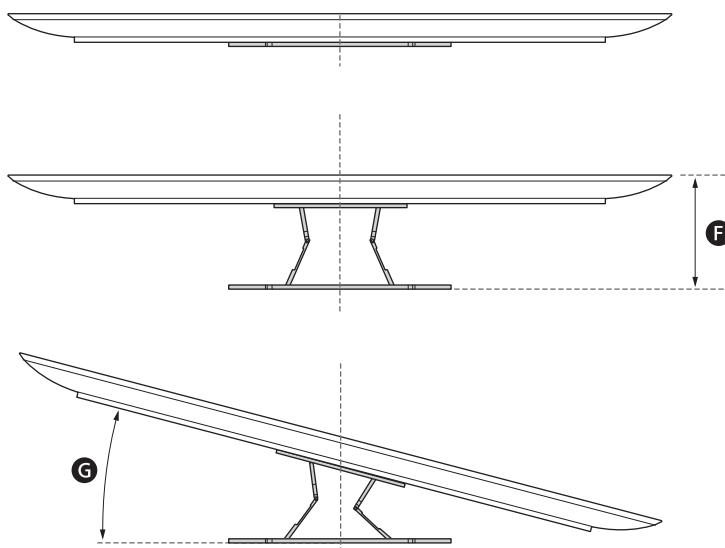
\* (Aprox.)

## Mediciones para la instalación del soporte de montaje mural

Las cifras de la tabla pueden variar levemente según el tipo de instalación.



ES





(mm/pulgadas)

Nombre de modelo	<b>A</b>	<b>B</b>	<b>C</b>	<b>D 1</b>	<b>D 2</b>	<b>E</b>	<b>F</b> *	<b>G</b> * (°)
FW-75BZ40L / 75BZ35L / 75BZ30L / 75EZ20L KD-75X77L / 75X77CL	1 686 / 66 1/2	969 / 38 1/4	364 / 14 3/8	123 / 4 7/8	—	86 / 3 1/2	288 / 11 3/8	15
XR-75X90L / 75X90CL	1 668 / 65 3/4	959 / 37 7/8	379 / 15	109 / 4 3/8	—	71 / 2 7/8	274 / 10 7/8	14
FW-65BZ40L / 65BZ35L / 65BZ30L / 65EZ20L KD-65X77L / 65X77CL	1 462 / 57 5/8	842 / 33 1/4	365 / 14 3/8	59 / 2 3/8	—	83 / 3 3/8	287 / 11 3/8	18
XR-65X90L / 65X90CL	1 445 / 57	831 / 32 3/4	376 / 14 7/8	46 / 1 13/16	—	71 / 2 7/8	274 / 10 7/8	17
FW-55BZ40L / 55BZ35L / 55BZ30L / 55EZ20L KD-55X77L / 55X77CL	1 243 / 49	721 / 28 1/2	365 / 14 3/8	—	3 / 1/8	83 / 3 3/8	286 / 11 3/8	20
XR-55X90L	1 225 / 48 1/4	707 / 27 7/8	376 / 14 7/8	—	17 / 11/16	71 / 2 7/8	274 / 10 7/8	19

\* (Aprox.)