



# MXP-6

## Microflex<sup>®</sup> Pendant Passive Loudspeaker

Shure MXP-6 passive pendant loudspeaker manual. Find how to install, tap selector options, specifications, and troubleshooting  
Version: 2.0 (2025-A)

# Table of Contents

<b>MXP-6 Microflex® Pendant Passive Loudspeaker</b>	<b>3</b>	<b>Specifications</b>	<b>6</b>
<b>MXP-6 General Description</b>	<b>3</b>	<b>Troubleshoot Shure MXP Loudspeakers</b>	<b>7</b>
<b>Important Safety Instructions</b>	<b>3</b>	<b>Additional Resources</b>	<b>8</b>
<b>MXP-6 Parts</b>	<b>4</b>	<b>Important Product Regulatory Information</b>	<b>8</b>
What's in the Box	4	<b>Environmental Regulatory Information</b>	<b>9</b>
<b>Install the Pendant Loudspeaker</b>	<b>4</b>	<b>Certification and Compliance Markings</b>	<b>9</b>
Connect the Loudspeaker to an Amp	6		

---

# MXP-6 Microflex® Pendant Passive Loudspeaker

---

## MXP-6 General Description

The MXP-6 is a pendant-style passive loudspeaker for speech and program reproduction in meeting rooms. Its sleek industrial design and choice of white or black finish make it ideal for use in rooms with open ceiling spaces.

The dual-driver architecture delivers full-fidelity premium audio reproduction, and the MXN-AMP power amplifier provides optimized presets for all MXP loudspeaker models as well as user-configurable EQ for each speaker output. A convenient switch on the rear of the MXP-6 allows for quick adjustment between 70/100V or 4-ohm operation.

Shure audio encryption keeps audio content protected between the MXN-AMP and other Shure Microflex Ecosystem devices in the room.

---

## Important Safety Instructions

**CAUTION: WHEN INSTALLING THIS PRODUCT INTO A CEILING OR BUILDING STRUCTURE, ALWAYS USE PROPER SUSPENSION AND RIGGING PRACTICES IN ACCORDANCE WITH YOUR AREA'S BUILDING CODES AND REGULATIONS.**

**FAILURE TO DO SO COULD RESULT IN PERSONAL INJURY, PROPERTY DAMAGE, OR BOTH.**

1. READ these instructions.
2. KEEP these instructions.
3. HEED all warnings.
4. FOLLOW all instructions.
5. DO NOT use this apparatus near water.
6. CLEAN ONLY with dry cloth.
7. DO NOT block any ventilation openings. Allow sufficient distances for adequate ventilation and install in accordance with the manufacturer's instructions.
8. DO NOT install near any heat sources such as open flames, radiators, heat registers, stoves, or other apparatus (including amplifiers) that produce heat. Do not place any open flame sources on the product.
9. USE only with a cart, stand, tripod, bracket, or table specified by the manufacturer, or sold with the apparatus. When a cart is used, use caution when moving the cart/apparatus combination to avoid injury from tip-over.



10. DO NOT expose the apparatus to dripping and splashing. DO NOT put objects filled with liquids, such as vases, on the apparatus.
11. To reduce the risk of fire or electric shock, do not expose this apparatus to rain or moisture.
12. Do not attempt to modify this product. Doing so could result in personal injury and/or product failure.
13. Operate this product within its specified operating temperature range.

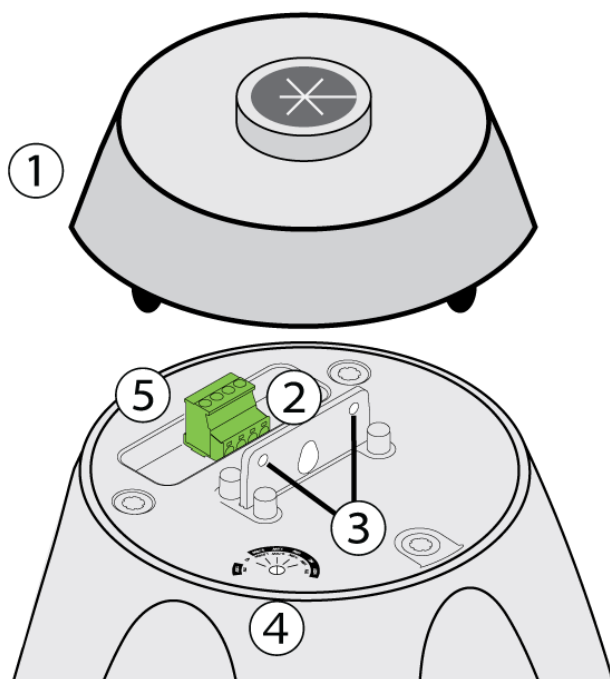
14. Follow local regulations and consult qualified personnel if the product installation or relocation requires construction work. Choose mounting hardware and an installation location that can support the weight of the product. Avoid locations subject to constant vibration. Use the required tools to install the product properly. Inspect the product periodically.

**WARNING:**

- Voltages in this equipment are hazardous to life. No user-serviceable parts inside. Refer all servicing to qualified service personnel. The safety certifications do not apply when the operating voltage is changed from the factory setting.
- If water or other foreign objects enter the inside of the device, fire or electric shock may result.

---

## MXP-6 Parts



1. Back cover
2. Hanging tab
3. Secondary attachment points
4. Tap selector
5. Block connector

## What's in the Box

- Loudspeaker with Shure logo pin
- 1 4-pin block connector

# Install the Pendant Loudspeaker

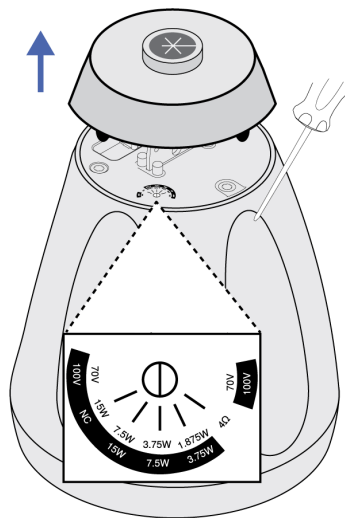
## To install, you will need:

- Loudspeaker wire\*
- Metal suspension cable or other high-strength wire\*
- Mounting hardware for metal cable\*
- Screwdriver\*

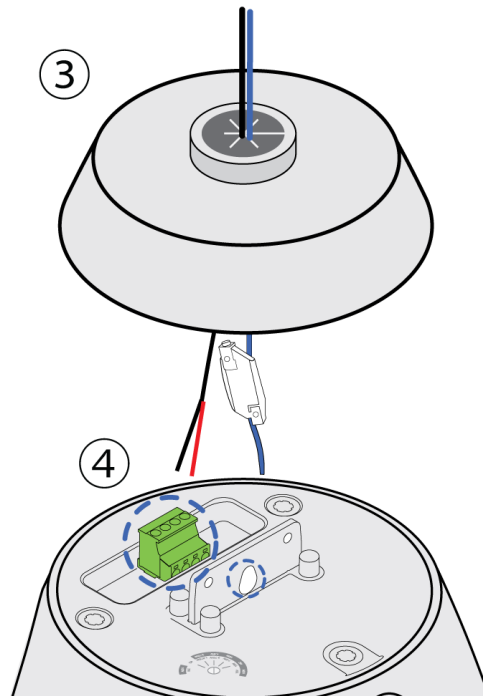
\*Not included

1. Remove the loudspeaker's back cover. Adjust tap settings.

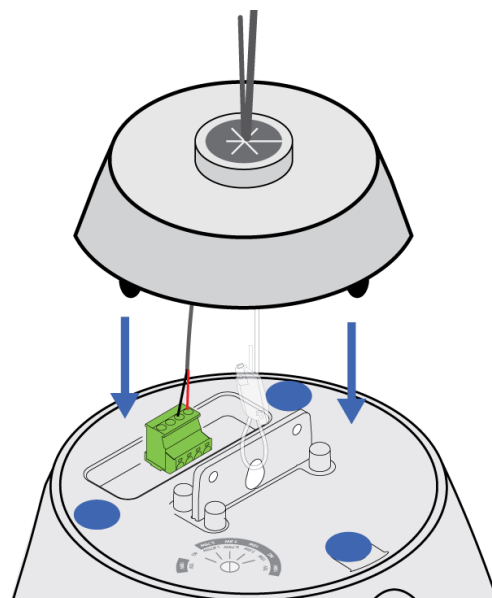
**Important:** Set the tap selector to the proper setting before connecting to an amplifier.



2. Attach suspension cable (not included) to a solid structural hanging point in the ceiling using appropriate hardware. Route the loudspeaker wire next to the suspension cable.
3. Thread the suspension cable and loudspeaker wire through the hole in the back cover.
4. Loop the suspension cable around the loudspeaker's hanging tab and route the loudspeaker wire through the block connector.



5. **For additional mounting security**, attach suspension cable to 1 of the loudspeaker's secondary attachment points and another attachment point on a solid structure in the ceiling. Follow any local regulations.
6. Press the back cover onto the loudspeaker.



## Connect the Loudspeaker to an Amp

To power loudspeakers, connect them to an amplifier. If you are connecting loudspeakers to the Shure MXN-AMP, choose the corresponding loudspeaker preset in the control software.

# Specifications

## Weight

5.5 lbs (2.5 kg)

## Dimensions

10.96 x 9.06 x 9.06 in. (278.5 x 230.2 x 230.2 mm)

## Connector Type

4-pin connector, 0.2 in. (5.08 mm) pitch

## Coverage Angle

*Average of 1 octave band centered on 4 kHz, IEC standard 60268-5 23.4*

95°

## Frequency Response

~90Hz – 20kHz

## Nominal Impedance

4Ω

## Maximum Input Power

28W

## Maximum SPL

*at an RMS input level of 23 dBV*

AES75 max linear sound levels: 98 dBz, 113 dbZpk, 97 dBA

## Sensitivity

*at 2.83 V/1m*

93 db SPL

## Operating Temperature Range

-7 to 40°C (19.4 to 104°F)

## Storage Temperature Range

-29 to 74°C (-20 to 165°F)

## Transformer Taps

<b>70V</b>	4Ω, 1.875 W, 3.75 W, 7.5 W, 15 W
<b>100V</b>	4Ω, 3.75 W, 7.5 W, 15 W

# Troubleshoot Shure MXP Loudspeakers

## Troubleshooting

Problem	Solution
<b>No sound</b>	<p>Check cables and connections. Make sure your loudspeaker is connected to your amp and that your amp is plugged in, powered on, and routed correctly.</p> <p>Make sure the amp is not muted in the control software.</p>
<b>Audio clipped, distorted, humming, buzzing, uneven, or too soft.</b>	<p>Check cables and connections. Make sure your loudspeaker is connected to your amp and that your amp is plugged in, powered on, and routed correctly.</p> <p>Reduce amp gain.</p> <p>Check the quality of your audio source.</p> <p>Make sure other electrical devices aren't interfering with your audio setup.</p> <p>On MXP-5 or MXP-6, check the tap settings on your loudspeaker.</p>
<b>Not enough bass/treble</b>	<p>Adjust EQ of the MXN-AMP in the control software. Make sure the preset for your loudspeaker is selected on the Outputs page.</p>

## Additional Resources

- [Shure Knowledge Base FAQs](#)
- [MXN-AMP PoE-Powered Amplifier User Guide](#)
- [MXN-AMP Command Strings](#)
- [Shure Enterprise Networking Troubleshooting Checklist](#)
- [Training from the Shure Audio Institute](#)
- [Shure Systems YouTube channel](#)

## Important Product Regulatory Information

### CE Notice

Hereby, Shure Incorporated declares that this product with CE Marking has been determined to be in compliance with European Union requirements.

The full text of the EU declaration of conformity is available at the following site: <https://www.shure.com/en-EU/support/declarations-of-conformity>.



## UKCA Notice

Hereby, Shure Incorporated declares that this product with UKCA Marking has been determined to be in compliance with UK-CA requirements.

The full text of the UK declaration of conformity is available at the following site: <https://www.shure.com/en-GB/support/declarations-of-conformity>.

## Environmental Regulatory Information

### Waste Electrical and Electronic Equipment (WEEE) Directive



In the European Union and the United Kingdom, this label indicates that this product should not be disposed of with household waste. It should be deposited at an appropriate facility to enable recovery and recycling.

### Registration, Evaluation, Authorization of Chemicals (REACH) Directive

REACH (Registration, Evaluation, Authorization of Chemicals) is the European Union (EU) and the United Kingdom (UK) chemical substances regulatory framework. Information on substances of very high concern contained in Shure products in a concentration above 0.1% weight over weight (w/w) is available upon request.

### Recycling Information

Please consider the environment, electric products and packaging are part of regional recycling schemes and do not belong to regular household waste.

部件名称	有害物质										
	Pb	Cd	Hg	Cr(VI)	PBB	PBDE	DBP	BBP	DIBP	DEHP	
电路模块	X	○	○	○	○	○	○	○	○	○	
金属模块	X	○	○	○	○	○	○	○	○	○	
线缆及其组件	X	○	○	○	○	○	○	○	○	○	
电源适配器*	X	○	○	○	○	○	○	○	○	○	
锂电池组*	X	○	○	○	○	○	○	○	○	○	

本表格依据 SJ/T11364 的规定编制。

O: 表示该有害物质在该部件所有均质材料中的含量均在 GB/T26572 规定的限量要求以下。

X: 表示该有害物质至少在该部件某一均质材料中的含量超出 GB/T26572 规定的限量要求。

注 1: 本产品大部分的部件采用无害的环保材料制造, 含有有害物质的部件皆因全球技术发展水平的限制而无法实现有害物质的替代。

注 2: 以上未列出的部分, 表明其有害物质含量均满足电器电子产品有害物质限制使用国家标准要求

\*: 表示如果包含部分

## Certification and Compliance Markings

