

# SHARP | Simply Better Living

Smart Radiant Rangetop with Microwave Drawer™ Oven

## STR3065HS

30"  
Width

8500  
WATTS

works with 

The First Smart Radiant Rangetop with Microwave Drawer™ Oven

Radiant Cooktop Has Two Variable Cooking Zones, Including a Triple Heater to Accommodate Larger Pots and Pans

Microwave Drawer™ Oven Works with Alexa<sup>1</sup>, and the Sharp Kitchen App available on the App Store® and Google Play

Four Convenient Cooking Zones Plus a Warmer Zone to Keep Prepared Food Warm Before Serving

Can be Installed in an Island, Peninsula or Standard Cabinet



## COOKTOP SPECIFICATIONS

### RADIANT COOKTOP FEATURES

Finish	Stainless Steel, Black Glass
Timer/Settings	Yes
Clock	Yes (Under Timer / Settings)
Single Heater	Yes
Double Heater	Yes
Triple Heater	Yes
Hot Surface Indicator Light	Yes
Warmer On Indicator Light	Yes
Cooktop Warmer	Yes
Mobile Application	Yes, Sharp Kitchen Indicates Cooktop Status, On / Off
Total Wattage	8500W

### DESIGN

Number of Cooking Zones	4
Warmer Zone	Yes
Magnetic Side Accessories	Optional

### CONTROLS

Control Type	Metal Rotary Knobs
Control Location	Front Facing

### LEFT-FRONT UNIT

Single Heater	6"
Double Heater	9"
Triple Heater	12"
Wattage	1050W / 1950W / 3000W

### LEFT-REAR UNIT

Size	6"
Wattage	1200W

### RIGHT-FRONT UNIT

Single Heater	6"
Double Heater	9"
Wattage	1400W / 3000W

### RIGHT-REAR UNIT

Size	6"
Wattage	1200W

### REAR-MIDDLE WARMER UNIT

Size	6"
Wattage	100W

# SHARP | Simply Better Living

Smart Radiant Rangetop with Microwave Drawer™ Oven

1.2  
cu ft.

950  
WATTS

## STR3065HS

## MICROWAVE DRAWER™ OVEN SPECIFICATIONS

### MICROWAVE DRAWER™ OVEN FEATURES

Finish	Stainless Steel, Black Glass
Drawer Opening	Mobile App, "Easy Wave Open" Motion Sensor, or Auto Open / Close Button / Push, and Alexa Voice Command <sup>1</sup>
Width	30"
Capacity	1.2 Cu.Ft.
Microwave Output Power (Watts)	950W
Interior Light	LED
Timer/Settings	Yes
Open/Close	Yes
Start/+30 Sec	Yes
Stop/Clear	Yes
Power Level	11
Clock	Yes (Under Timer / Settings)
Control Lock	Yes
Demo Mode	Yes
Microwave ON Indicator	Yes
Audible Signal	Yes
End of Cooking Reminder	Yes
Multi-Stage Cooking	Yes
Auto Start	Yes
Standby Mode	Yes

### CONTROL PANEL

Control Panel Location	Front Facing
Control Panel Type	Glass Touch
Control Panel Wi-Fi Indicator	Yes
Control Panel Oven Indicator Status	Yes
Display Color	White

### COOKING / MENU PRESETS

Popcorn	Sensor
Reheat	Sensor
Defrost	Ground Meat, Steaks/Chops, Boneless Poultry, Bone-in Poultry, Roast, Casserole or Soup
Sensor Cook	Fish / Seafood, Baked Potatoes, Sweet Potatoes, Brown Rice, White Rice, Quick Fresh Vegetables, Longer Fresh Vegetables, Steamer Bags, Frozen Vegetables, Ground Meat, Frozen Entrées
Melt, Soften & Warm Options	Butter, Chocolate, Ice Cream, Syrup, Cream Cheese, Dessert Toppings
Other Menus	Beverage Reheat, Hot Water, Hot Cereal

### ADDITIONAL FEATURES

Voice Control	Yes, Amazon Alexa <sup>2</sup>
Mobile Application	Yes, Sharp Kitchen Available on the App Store <sup>®</sup> or Google Play™ Store
Wi-Fi Connectivity	Yes
Oven Floor	Patterned Glass
Flush Mount Ready	Yes, Vent Integrated in the Bottom of Drawer Face

### ADDITIONAL SPECIFICATIONS

Power Source	240v, 60Hz, 40A
Agency Certification	UL

### INCLUDED ACCESSORY (w x h)

Product Name	Magnetic Side Accessory Kit (Cooling Rack & Spoon Rest)
Model	SKRS00A7FS
Color	Stainless Steel
Cooling Zone	8.0" x 21.0"
Spoon Rest	6.0" x 21.0"
Dishwasher Safe	Yes
Side Accessory UPC	074000621596

### DIMENSIONS & WEIGHT (in./lbs.) (w x h x d)

Cavity Interior (w x h x d)	17-5/16" x 7-1/8" x 16-9/16"
Product Dimensions	29-7/8" x 18-15/16" x 27-7/8"
Shipping Dimensions	32.0" x 24.0" x 34.0"
Product Weight / Shipping Weight	118.0 lbs. / 129.8 lbs.

### WARRANTY/UPC

Parts	1 year
Labor	1 year
Magnetron Tube	5 years (parts only)
UPC	074000621688

<sup>1</sup>Must register with Amazon Alexa App. <sup>2</sup>Amazon Echo device not included.

Amazon, Echo, Alexa, and all related logos are trademarks of Amazon.com, Inc. or its affiliates. Apple and iPhone are trademarks of Apple Inc., registered in the U.S. and other countries. Android and Google Play are trademarks of Google LLC.

Internal capacity calculated by measuring maximum width, depth and height. Actual capacity for holding food is less. Product specifications and design are subject to change without notice.

© 2022 Sharp Electronics Corporation. All rights reserved. Sharp, Microwave Drawer and all related trademarks are trademarks or registered trademarks of Sharp Corporation and/or its affiliated companies. All other trademarks are property of their respective owners.

QUESTIONS?

1.800.BE.SHARP

## SIMPLY BETTER LIVING

At Sharp Home Electronics Company of America, we are committed to Simply Better Living. Our innovative home appliance products are SIMPLE to use, BETTER than the competition, and encourage a HEALTHY LIFESTYLE.

SHARP ELECTRONICS CORPORATION  
100 Paragon Drive, Montvale NJ, 07645  
1.800.237.4277 • www.sharpsusa.com



SHARP

Be Original.

Smart Radiant Rangetop with Microwave Drawer™ Oven

## STR3065HS

### INSTALLATION OPTIONS

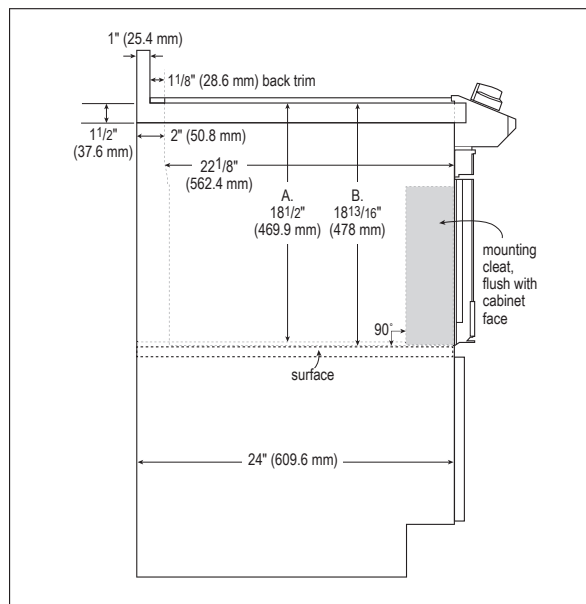
Installation of the Smart Radiant Rangetop with Microwave Drawer™ Oven is customizable. To choose the desired installation option, consider the following items:

- The front of the Microwave Drawer™ Oven can be standard, which is 13/4" forward of the cabinet face, or flush with the cabinet face.
- The surface of the rangetop can be elevated 5/16" above the countertop or flush with the countertop.
- Back trim is optional.

Of the three provided options, how the unit is mounted is a matter of preference and does not affect functionality. However, if you desire to use Side Accessories, an elevated rangetop is recommended. To install with an elevated top, use dimension (A) for the opening height.

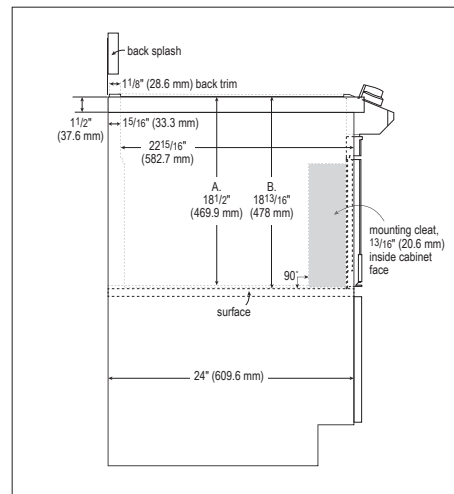
#### Standard Mount with Back Trim

This installation style positions the unit with The Microwave Drawer™ Oven front proudly forward of the cabinet face and includes the use of the optional back trim. The rangetop surface can be elevated (A) or flush (B).



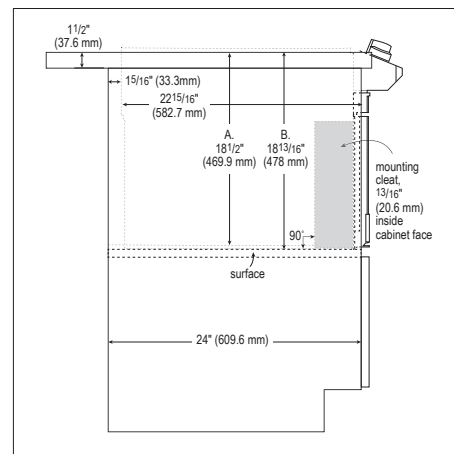
#### Flush Mount with Back Trim

This installation style positions the unit with The Microwave Drawer™ Oven front flush with the cabinet face and includes the use of the optional back trim. The rangetop surface can be elevated (A) or flush (B).



#### Flush Mount without Back Trim (Island Installation)

This installation style positions the unit with The Microwave Drawer™ Oven front flush with the cabinet face and does not include back trim. This style is recommended for installation into an island counter. The rangetop surface can be elevated (A) or flush (B).



QUESTIONS?

1.800.BE.SHARP

### SIMPLY BETTER LIVING

At Sharp Home Electronics Company of America, we are committed to Simply Better Living. Our innovative home appliance products are SIMPLE to use, BETTER than the competition, and encourage a HEALTHY LIFESTYLE.



Smart Radiant Rangetop with Microwave Drawer™ Oven

## STR3065HS

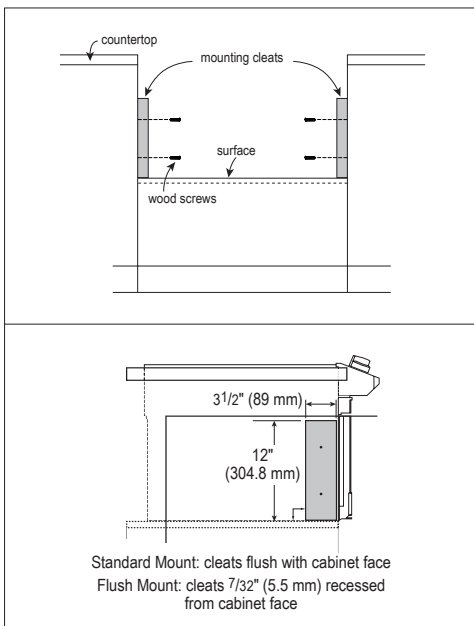
### BEFORE PLACING UNIT

#### ATTACH MOUNTING CLEATS

All installation options require the use of two 12" (304.8 mm) two-by-fours as mounting cleats. The two 12" (304.8 mm) two-by-fours are NOT included.

**NOTE:** As with most dimensional lumber, two-by-four boards are not 2" x 4", because they are milled and planed for consistency. A two-by-four is actually 1-1/2" X 3-1/2". The true dimensions of the cleats are 1-1/2" X 3-1/2" (38.1 mm x 88.9 mm x 304.8 mm).

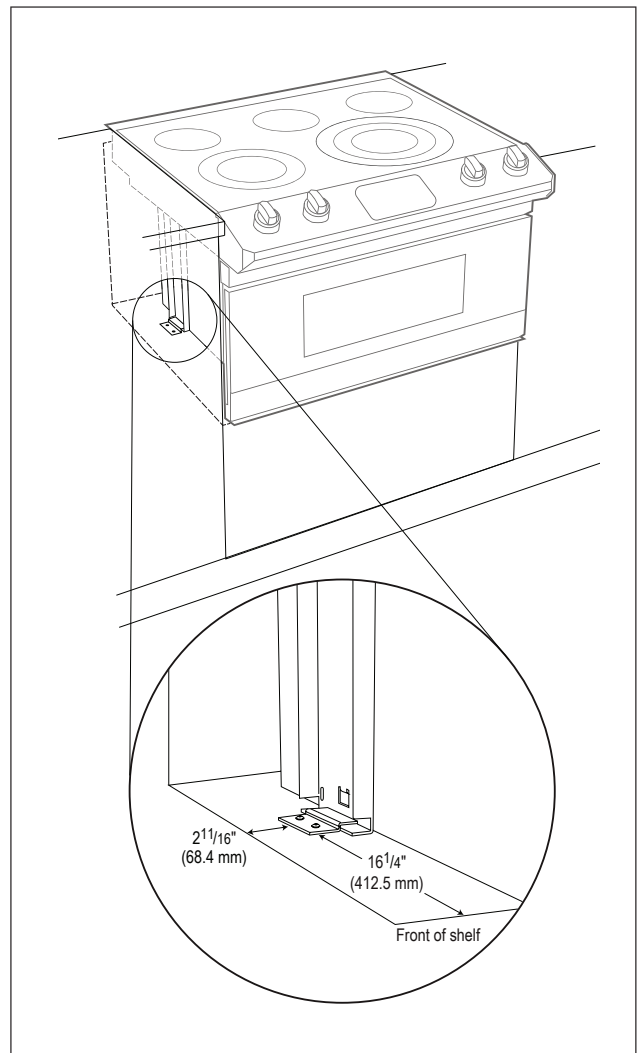
1. Pre-drill two holes in each cleat, roughly 3" (76.2 mm) from both ends.
2. **Standard Mount:** Position cleats flush with cabinet face.  
**Flush Mount:** Position cleats 13/16" (20.6 mm) recessed from cabinet face.
3. Set cleats vertically on the supporting surface with one end flat on the base. With cleats at the correct depth for your chosen install option, attach cleats to the sides of the adjacent cabinets with provided wood screws.
4. Use a framing square or other squaring tool to ensure the cleats are attached at a 90° angle to the surface. Adjust if necessary.



#### ATTACH ANTI-TIP BRACKET

The Anti-tip bracket must be attached to base. The bracket location is the same for all installation options. Position the bracket 211/16" (68.4 mm) from the left adjacent cabinet and 161/4" (412.5 mm) from the front of the opening. Attach the bracket with provided screws.

When the unit is installed, a lip on the unit will slide under the anti-tip bracket and hold the unit in place.



QUESTIONS?

1.800.BE.SHARP

### SIMPLY BETTER LIVING

At Sharp Home Electronics Company of America, we are committed to Simply Better Living. Our innovative home appliance products are SIMPLE to use, BETTER than the competition, and encourage a HEALTHY LIFESTYLE.