

STR3065HS SMART RADIANT RANGETOP WITH MICROWAVE DRAWER™ OVEN INSTALLATION MANUAL

SPECIAL WARNING

- READ AND SAVE THESE INSTRUCTIONS FOR FUTURE REFERENCE.
- INSTALLATION AND SERVICE MUST BE PERFORMED BY A QUALIFIED INSTALLER.
- IMPORTANT: SAVE THIS INSTALLATION MANUAL FOR LOCAL ELECTRICAL INSPECTOR'S USE.

CLEARANCES AND DIMENSIONS

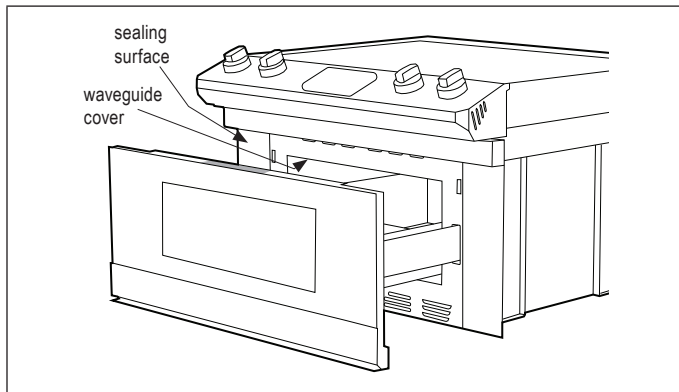
⚠ WARNING Do not install unit in any combustible cabinetry that is not in accord with the stated clearances and dimensions on page 3.

SAFELY LIFT AND MOVE UNIT

Two people are required to safely lift and move this unit.

UNPACKING APPLIANCE

- Remove all packing materials from inside the unit. DO NOT REMOVE THE WAVEGUIDE COVER located on the top of the unit.



- Remove the feature sticker, if there is one. Check the unit for any damage and ensure all rangetop screws are tight. Damage may include: misaligned or bent drawer; damaged drawer seals and sealing surfaces; broken or loose drawer guides; or dents inside the cavity or on the front side of the drawer. If there is any damage, do not operate the unit and contact your dealer or a SHARP AUTHORIZED SERVICER.
- Record the model and serial number. Open the Microwave Drawer™ Oven fully. The label is beyond the back wall of the microwave oven cavity facing up from the flat surface.

IMPORTANT NOTES TO THE INSTALLER

- Leave these instructions with the consumer after installation.
- Read the entire Installation Manual before installing the Smart Radiant Rangetop with Microwave Drawer™ Oven.
 - Remove all packing material before connecting the electrical supply.
 - Observe all governing codes and ordinances.
 - Given dimensions in this manual provide minimum clearance.
 - Contact surface must be solid and level.
 - Ensure unit installation location has proper electrical supply.
 - This unit runs off a single phase, 240V/60Hz AC only electrical supply with ground.
 - Minimum distance between rangetop and overhead cabinetry is 30".

PART INCLUDED

PARTS	PARTS #	QUANTITY
Mounting Screws	LX-CZB073MRE0	4
Anti-Tip Bracket	LANGTB471MRP0	1
Bracket Screws	LX-CZB073MRE0	2
Back Trim	HDEC-B059MRP0	1
Trim Screws	XOTWW40P08000	2
Magnetic Side Accessory Kit	SKRS00A7FS	1

SUPPLIED BY INSTALLER (NOT INCLUDED)

PARTS	DIMENSIONS	QUANTITY
Mounting Cleats (two-by-four board)	1 1/2" x 3 1/2" x 12" (38.1 x 88.9 x 304.8 mm)	2

IMPORTANT NOTES TO THE CONSUMER

Keep this Installation Manual with your Operation Manual for future reference.

- When using any appliance generating heat, safety precautions must be followed. See the Operation Manual for safety precautions and follow them carefully.
- The unit must be installed and grounded properly by a qualified installer or service technician.
- This unit comes equipped for optional Wi-Fi connection. In order to activate the Wi-Fi functionality, the area in which the unit is installed requires a Wi-Fi signal. Please see the Operation Manual for the minimum Wi-Fi requirements.

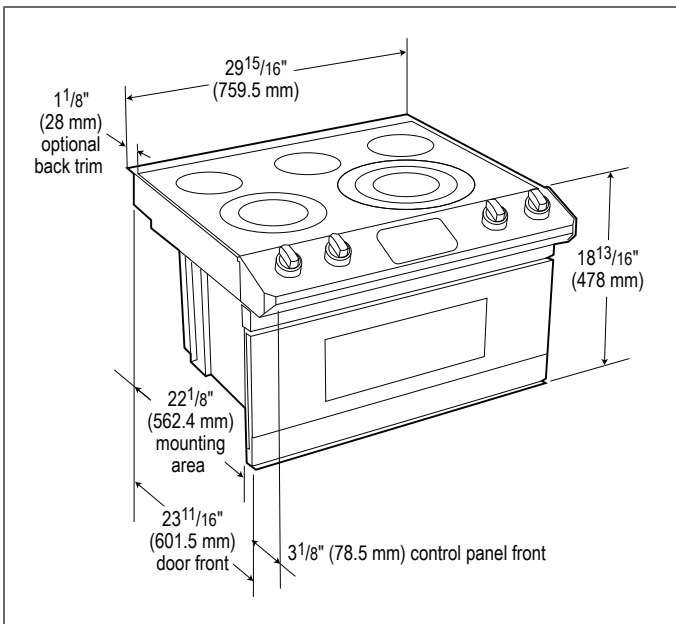
IMPORTANT SAFETY INSTRUCTIONS

⚠ WARNING If the information in this manual is not followed exactly, a fire or electrical shock may result and could cause property damage, personal injury or death.

- To reduce the risk of tipping, the unit must be secured by a properly installed Anti-Tip bracket.
- This unit must be electrically grounded in accordance with local codes.
- Wall coverings, countertops and cabinets around the unit must be able to withstand heat generated by the unit.

CLEARANCES AND DIMENSIONS

- The dimensions and clearances in this manual indicate minimum clearance required.
- The contact surface of the installation must be solid and level. The surface on which the unit sits must be constructed of plywood strong enough to support 150 lb.



SIDE ACCESSORIES

Transform your Radiant Rangetop into the ultimate workstation with the Stainless Steel Magnetic Side Accessory Kit. Accessories can be placed on either side of the rangetop or attached magnetically to each other on a single side, so you are free to configure your workstation to suit your needs.

The Cooling Surface provides a space to set hot cookware after removing it from the cooktop or oven, and the Spoon Rest provides a space to set utensils while you are cooking. The drip trays of the Spoon Rest are removable for easy cleaning, and all items are dishwasher-safe.

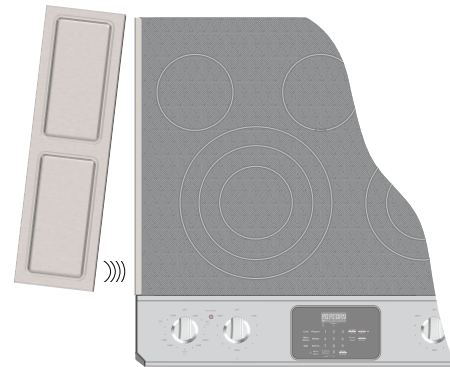
NOTE: An elevated rangetop is recommended for use of Side Accessories. To install the unit with an elevated top, use dimension (A) for the opening height in the figures on pages 3 and 4.

MAGNETIC SIDE ACCESSORY KIT (SKRS00A7FS)

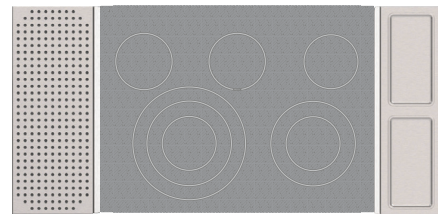
- Includes a Stainless Steel Cooling Rack and Spoon Rest
- Easy to attach magnetic sides
- Dishwasher safe



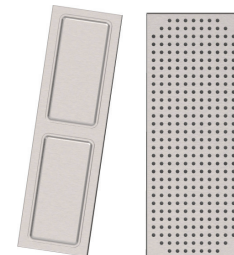
EASY ATTACHMENT



ARRANGE AS YOU LIKE



ARRANGE SOLO



PREPARE THE CUTOUT OPENINGS

IMPORTANT If the unit will have a plug added for use with an electrical outlet, consider the location of existing outlets when preparing the location of the installation or have a qualified electrician install an electrical outlet at the installation site. Do not use an extension cord with this unit. Please see ELECTRICAL CONNECTIONS on page 7.

Cutout dimensions vary among installation options. Refer to figures on page 4 for the specific cutout opening requirements of your chosen install option. Counters and cabinets vary, so measure cabinetry before installation. Given dimensions are based upon standard dimensions.

STANDARD DIMENSIONS	
Countertop depth	25" (635 mm)
Countertop height	36" (914.4 mm)
Countertop thickness	1 1/2" (38.1 mm)
Cabinet depth	24" (609.6 mm)
Cabinet height	34 1/2" (876.3 mm)

NOTE: To avoid damage to the unit and cabinetry, ensure a minimum 1/2" clearance between the top of the plywood support surface and any cabinet drawer-front or door-front below the unit.

OPENING WIDTH

All install options require a 30" (762 mm) wide cutout to accommodate the width of the unit.

OPENING DEPTH

Most countertops overhang 1" past the cabinet face, but designs vary. Measure the overhang and add its dimension to the cabinet cutout dimension of 22 1/8" (562.4 mm) to find the total countertop opening.

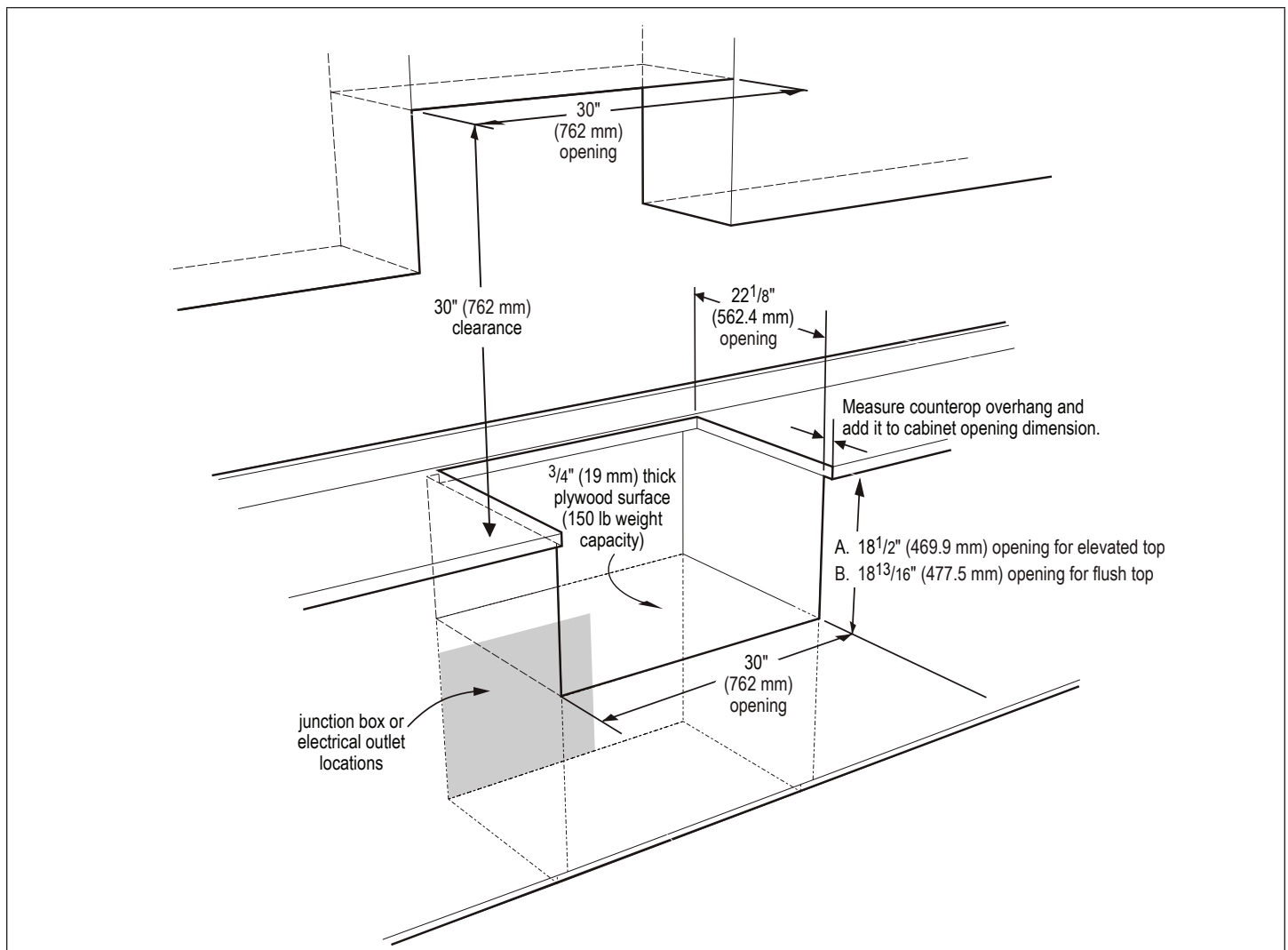
Back trim can be installed to sit on top of the counter or flush with the countertop. If the backtrim is to be installed flush with the counterop, add 1 1/8" (28.6 mm) to the cutout opening.

OPENING HEIGHT

All install options require the installation of a 3/4" (19 mm) thick plywood surface to support the unit. The surface must be capable of supporting at least 150 lb. For an elevated top (A), the opening height is 18 1/2" (469.9 mm) from the top of the countertop down. For a flush top (B), the opening height is 18 13/16" (477.5 mm) from the top of the countertop down.

UPPER CABINET CUTOUT

All install options require a vertical clearance of 30" (762 mm) from rangetop surface to the base of upper cabinets. The cutout opening of upper cabinets must be 30" (762 mm) wide.



INSTALLATION OPTIONS

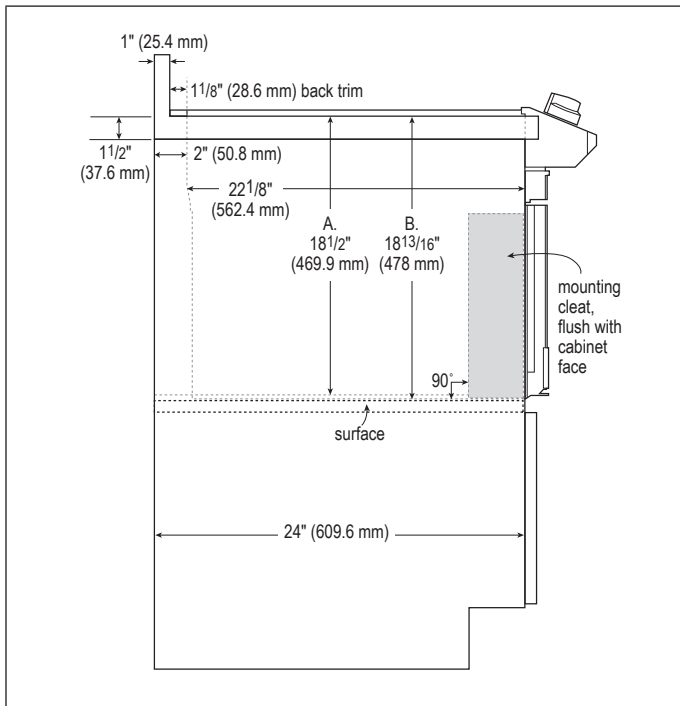
Installation of the Smart Radiant Rangetop with Microwave Drawer™ Oven is very customizable. To choose the right installation option, consider the following items:

- The front of the Microwave Drawer™ Oven can be standard, which is 13/4" forward of the cabinet face, or flush with the cabinet face.
- The surface of the rangetop can be elevated 5/16" above the countertop or flush with the countertop.
- Back trim can be included or left off.

How the unit is mounted is a matter of preference and does not affect functionality. However, if you desire to use Side Accessories (not included), an elevated rangetop is recommended. To install with an elevated top, use dimension (A) for the opening height.

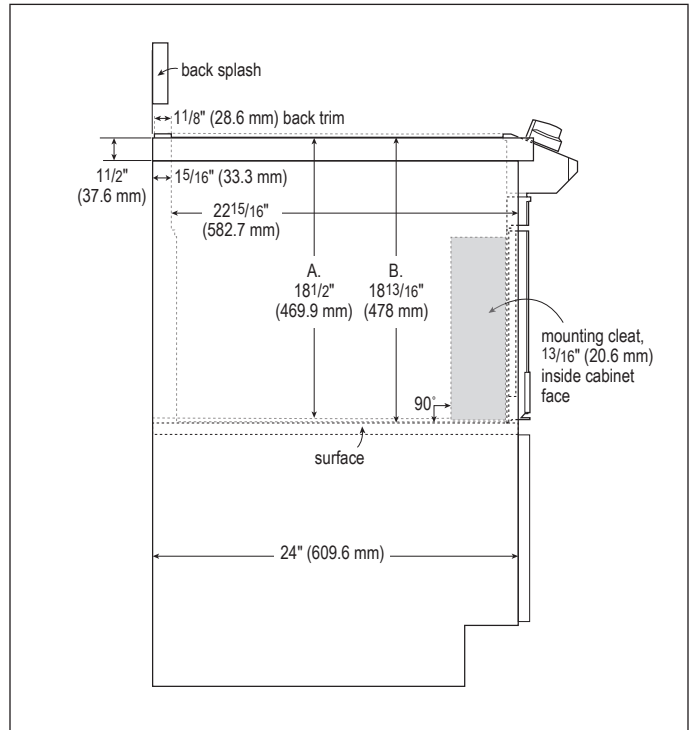
Standard Mount with Back Trim

This installation style positions the unit with the Drawer front proudly forward of the cabinet face and includes the use of the optional back trim. The rangetop surface can be elevated (A) or flush (B).



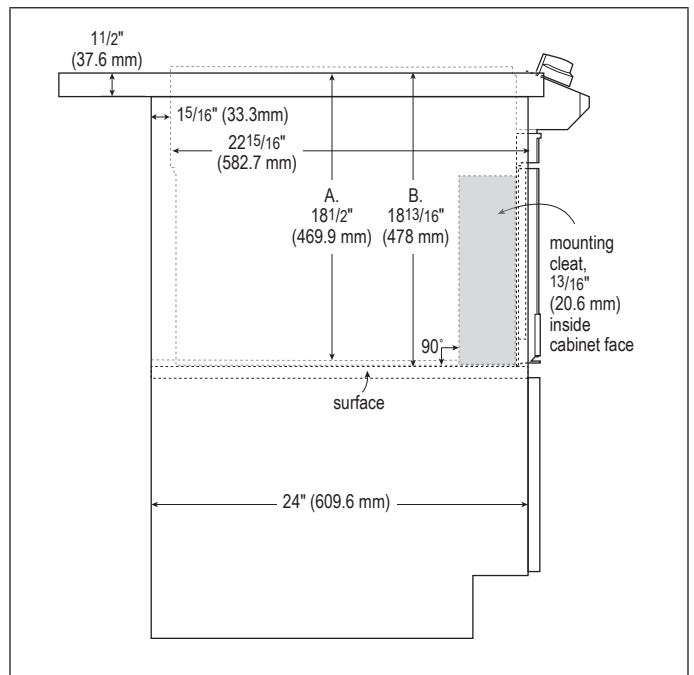
Flush Mount with Back Trim

This installation style positions the unit with the Drawer front flush with the cabinet face and includes the use of the optional back trim. The rangetop surface can be elevated (A) or flush (B).



Flush Mount without Back Trim (Island Installation)

This installation style positions the unit with the Drawer front flush with the cabinet face and does not include back trim. This style is recommended for installation into an island counter. The rangetop surface can be elevated (A) or flush (B).



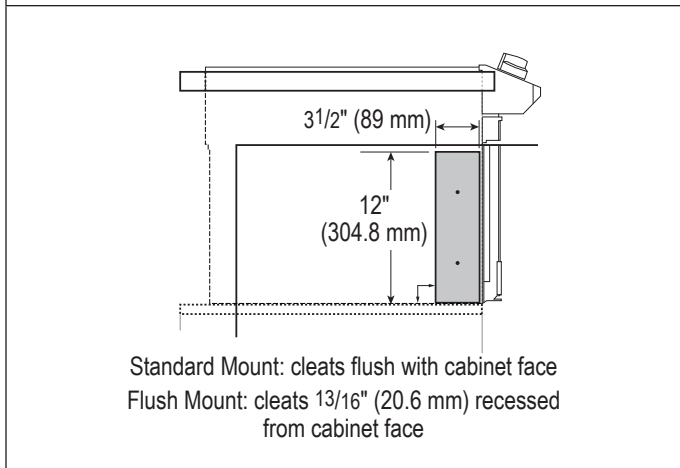
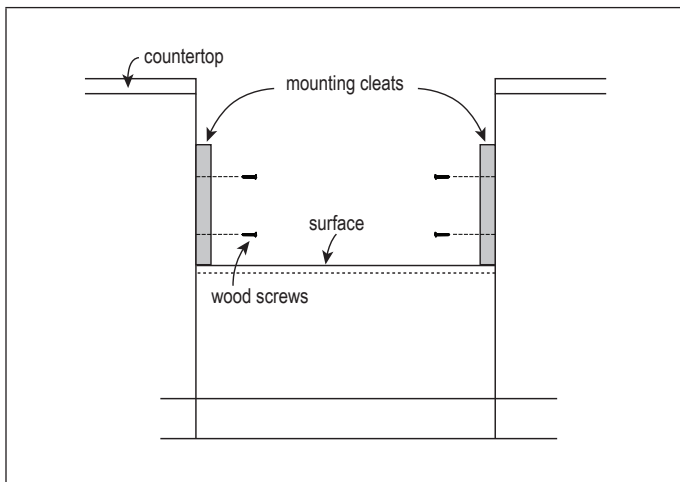
BEFORE PLACING UNIT

ATTACH MOUNTING CLEATS

All installation options require the use of two 12" (304.8 mm) two-by-fours as mounting cleats. The two 12" (304.8 mm) two-by-fours are NOT included and must be supplied by the installer.

NOTE: As with most dimensional lumber, two-by-four boards are not 2" x 4", because they are milled and planed for consistency. A two-by-four is actually 1 1/2" x 3 1/2". The true dimensions of the cleats are 1 1/2" x 3 1/2" x 12" (38.1 mm x 88.9 mm x 304.8 mm).

1. Pre-drill two holes in each cleat, roughly 3" (76.2 mm) from both ends.
2. **Standard Mount:** Position cleats flush with cabinet face.
Flush Mount: Position cleats 13/16" (20.6 mm) recessed from cabinet face.
3. Set cleats vertically on the plywood surface with one end flat on the base. With cleats at the correct depth for your chosen install option, attach cleats to the sides of the adjacent cabinets with provided wood screws.
4. Use a framing square or other squaring tool to ensure the cleats are attached at a 90° angle to the surface. Adjust if necessary.

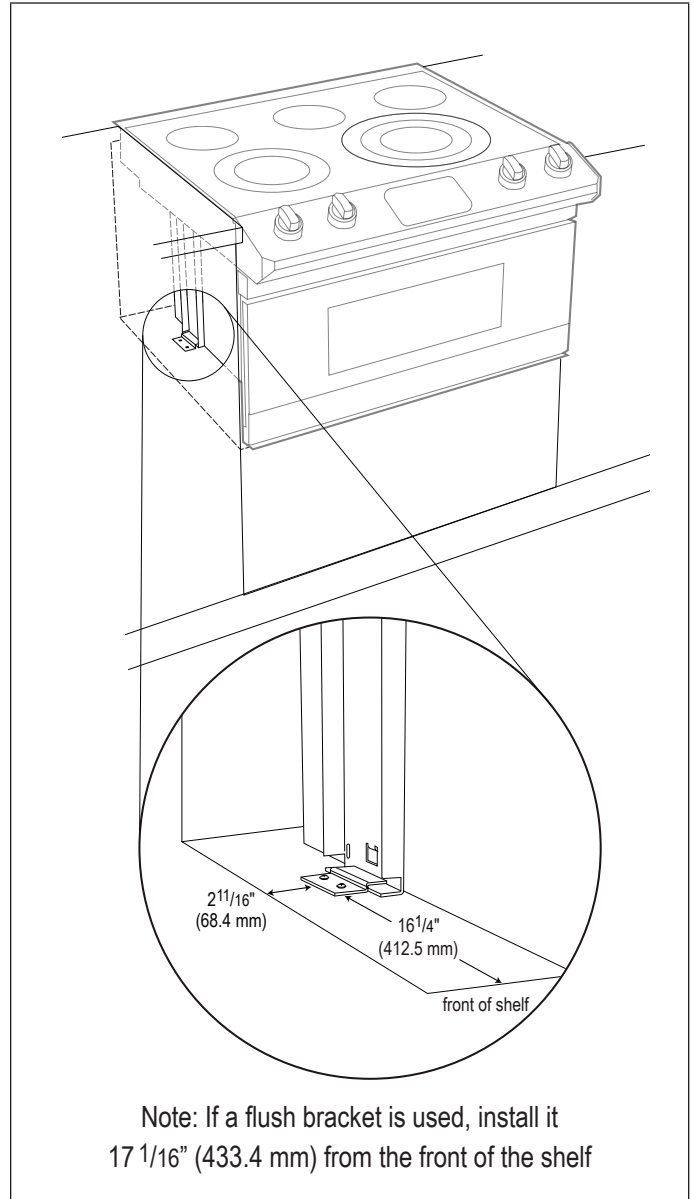


ATTACH ANTI-TIP BRACKET

To reduce the risk of tipping the drawer due to abnormal use, the anti-tip bracket must be attached to the plywood surface that will hold the unit. The bracket location is the same for all installation options.

Position the bracket 2 11/16" (68.4 mm) from the left adjacent cabinet and 16 1/4" (412.5 mm) from the front of the opening. Attach the bracket with provided screws.

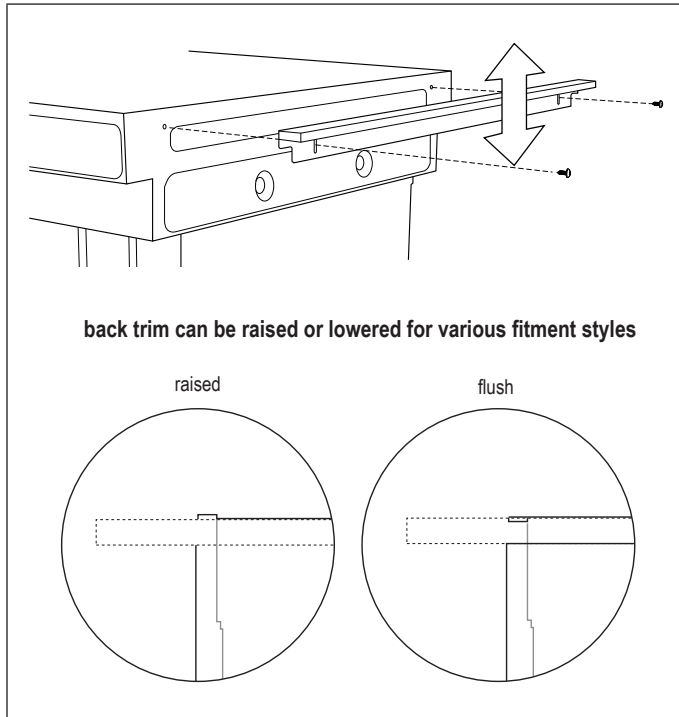
When the unit is installed, a lip on the unit will slide under the anti-tip bracket and hold the unit in place.



ATTACH OPTIONAL BACK TRIM

The back trim is an optional piece that can be added for a more built-in appearance. To attach the back trim to the unit, simply screw it into the back of the unit with provided screws.

The height of the back trim is adjustable for various fitment styles. To raise or lower the back trim, loosen the screws slightly and adjust the back trim, then tighten the screws.



ELECTRICAL CONNECTIONS

If codes permit and a separate ground wire is used, it is recommended that a qualified electrical installer determine that the ground path is adequate and wire gauge is in accordance with local codes.

IN U.S.A.

Be sure the electrical connection and wire size are adequate and in conformance with the National Electrical Code, ANSI/ NFPA No. 70-latest edition and all local codes and ordinances.

A copy of the above code standards can be obtained from:

National Fire Protection Association
nfpa.org/Codes-and-Standards

IN CANADA

Be sure the electrical connection and wire size are adequate and in conformance with CSA standard C22.1, Canadian Electrical Code, Part 1 - latest edition, and all local codes and ordinances.

A copy of the above code standards can be obtained from:

Canadian Standards Association
csagroup.org/standards

ELECTRICAL REQUIREMENTS

This unit must be supplied with the proper voltage and frequency and connected to an individual, properly grounded branch circuit, protected by a circuit breaker or fuse having amperage as noted on the rating plate.

BREAKER OR FUSE SIZE	
240V	40 Amps
208V	40 Amps

NOTE: Check local codes for required breaker size.

All electrical wiring and hookup for this unit must be done by a qualified electrician. Make note of the location of the main appliance disconnect.

POWER CONNECTIONS

This unit is manufactured with a neutral (white) power supply wire and a cabinet-connected (green) grounding wire.

Connect the unit cable to the junction box through the UL-listed conduit connector. Complete electrical connection according to local codes and ordinances. See page 3 for junction box or electrical outlet locations.

NOTE TO ELECTRICIAN: The armored cable leads supplied with this unit are UL recognized for connection to larger gauge household wiring. The installation of the leads is rated at temperatures much higher than the temperature rating of household wiring. The current carrying capacity of the conductor is governed by the temperature rating of the installation around the wire, rather than the wire gauge alone.

NOTE:

- The proper size wire nut shall be placed over the stripped leads and the wire nut twisted until the wire nut can not be pulled from the leads. No conductor shall be exposed in the connection.
- Do not shorten the flexible conduit. The conduit strain relief clamp (supplied by installer) must be securely attached to the junction box, and the flexible conduit must be securely attached to the clamp. If the flexible conduit will not fit with the junction box, do not install the unit until a clamp of proper size has been obtained.

⚠ WARNING



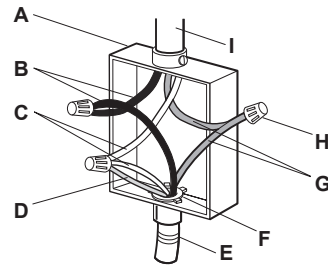
ELECTRICAL SHOCK HAZARD

- Grounding through the neutral conductor is prohibited for new branch-circuit installations (1996 NEC), mobile homes and recreational vehicles, or in areas where local codes prohibit grounding through the neutral conductor. For installations where grounding through the neutral conductor is prohibited, see the Ungrounded Neutral graphic.
- Use grounding terminal or lead to ground unit.
- Connect neutral terminal or lead to branch circuit neutral in usual manner. Failure to do so could result in death, fire or electric shock.
- The electrical power to the oven branch circuit must be shut off while line connections are being made. Do not use an extension cord with this unit.
- Electrical ground is required on this unit. The free end of the green wire (the ground wire) must be connected to a suitable ground. This wire must remain grounded to the oven.
- If cold water pipe is interrupted by plastic, non metallic gaskets, union connections or other insulating materials, DO NOT use for grounding.
- DO NOT ground to a gas pipe.
- DO NOT have a fuse in the NEUTRAL or GROUNDING circuit. A fuse in the NEUTRAL or GROUNDING circuit could result in an electrical shock.
- If in doubt, have a qualified electrician verify the unit is properly grounded.
- Failure to properly ground the unit could result in death, fire or electric shock.
- Improper connection of aluminum house wiring to copper leads can result in an electrical hazard or fire. Use only connectors designed for joining copper to aluminum and follow manufacturer's recommended procedure closely.

3-WIRE CABLE FROM HOME POWER SUPPLY - U.S. ONLY

IMPORTANT: Use the 3-wire cable from home power supply where local codes permit a 3-wire connection.

GROUNDING NEUTRAL



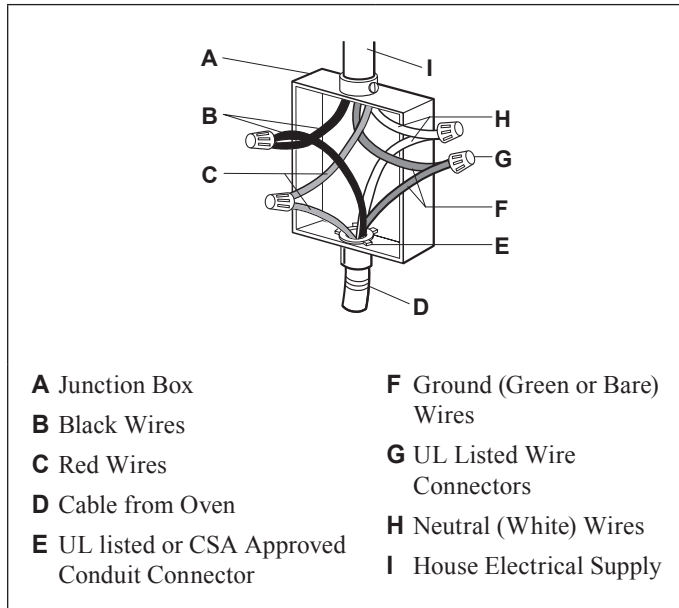
- | | |
|--------------------------------------|--------------------------------------|
| A Junction Box | E Cable from Oven |
| B Black Wires | F UL Listed Conduit Connector |
| C Neutral (White) Wires | G Red Wires |
| D Ground (Green or Bare) Wire | H UL Listed Wire Connectors |
| | I House Electrical Supply |

1. Disconnect power before servicing.
2. Connect the 2 black wires **B** together using a UL listed wire connector.
3. Connect the 2 neutral (white) wires **C** and the ground (green or bare) wire **D** (of the oven cable) using a UL listed wire connector.
4. Connect the 2 red wires **G** together using a UL listed wire connector.
5. Install junction box cover.

4-WIRE CABLE FROM HOME POWER SUPPLY

IMPORTANT: Use the 4-wire cable from home power supply in the U.S. where local codes do not allow grounding through neutral, New Branch circuit installations (1996 NEC), mobile homes and recreational vehicles, new construction and in Canada.

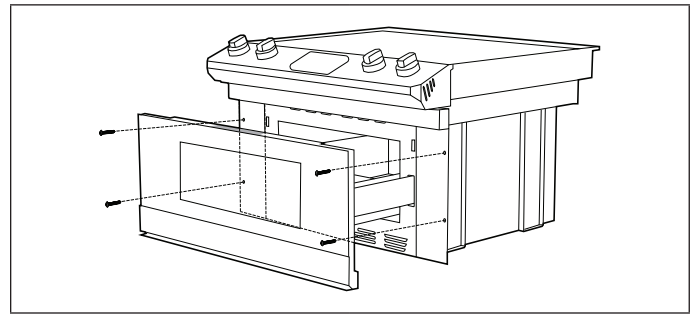
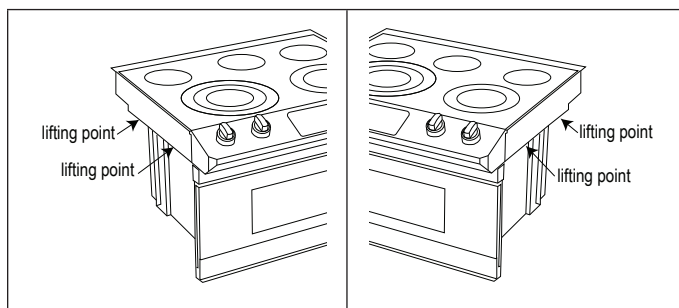
UNGROUNDING NEUTRAL



1. Disconnect power before servicing.
2. Connect the 2 black wires **B** together using a UL listed wire connector.
3. Connect the 2 red wires **C** together using a UL listed wire connector.
4. Connect the 2 neutral (white) wires **H** together using a UL listed wire connector.
5. Connect the ground (green or bare) wire **F** from the oven cable to the ground (green or bare) wire (in the junction box) using a UL listed wire connector.
6. Install junction box cover.

POSITION AND INSTALL UNIT

Two people are required to safely lift, move and install the unit. The unit must be lifted from the right and left sides of the unit by lifting from beneath the rangetop.



1. Lift the unit and place the back end on the plywood surface.
2. Straighten the unit, then slowly slide it into the opening. The installed anti-tip bracket will hook onto an attached lip and hold the unit in place.
3. Open the drawer. Using the 4 holes on the drawer as a template, pre-drill the cabinet using a 1/16" (1.6 mm) bit.
4. Secure the unit with the 4 screws supplied.

MODEL AND SERIAL NUMBER LOCATION

The nameplate includes model and serial number. Open the Microwave Drawer™ Oven fully. The label is beyond the back wall of the microwave oven cavity facing up from the flat surface.

CARE, CLEANING AND MAINTENANCE

Refer to the Operation Manual for cleaning instructions.

BEFORE YOU CALL FOR SERVICE

Read the BEFORE YOU CALL and operating instruction sections in your Operation Manual. It may save you time and expense. The list includes common occurrences that are not the result of defective workmanship or materials in this appliance.

Refer to the warranty in your Operation Manual for Sharp's toll-free service number and address. Please call or write if you have inquiries about your microwave product and/or need to order parts.

PLAQUE DE CUISSON INTELLIGENTE À CHAUFFAGE RADIANT AVEC TIROIR FOUR À MICRO-ONDES MICROWAVE DRAWER™ STR3065HS

MANUEL D'INSTALLATION

AVERTISSEMENT SPÉCIAL

- VEUILLEZ LIRE ET CONSERVER CES INSTRUCTIONS POUR RÉFÉRENCE ULTÉRIEURE.
- L'INSTALLATION ET L'ENTRETIEN DOIVENT ÊTRE EFFECTUÉS PAR UN INSTALLATEUR QUALIFIÉ.
- IMPORTANT : VEUILLEZ CONSERVER CE MANUEL D'INSTALLATION POUR LA VÉRIFICATION DE L'INSPECTEUR EN ÉLECTRICITÉ.

DÉGAGEMENTS ET DIMENSIONS

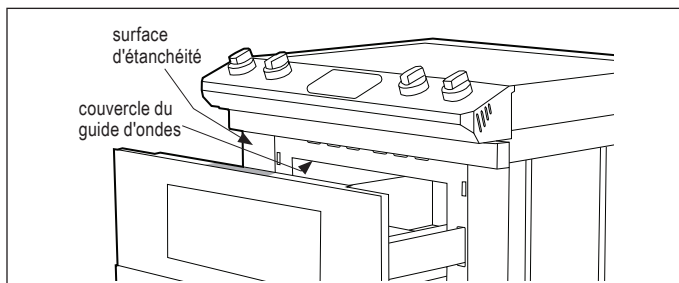
⚠ AVERTISSEMENT Ne pas installer l'appareil à l'intérieur de toute armoire inflammable qui ne respecte pas les dégagements et les dimensions stipulées à la page 3.

VEUILLEZ SOULEVER ET TRANSPORTER L'APPAREIL DE MANIÈRE SÉCURITAIRE

Deux personnes sont requises pour soulever et transporter cet appareil de manière sécuritaire.

DÉBALLAGE DE L'APPAREIL

- Retirer tous les matériaux d'emballage qui se trouvent à l'intérieur de l'appareil. NE PAS RETIRER LE COUVERCLE DU GUIDE D'ONDES, qui est situé dans la partie supérieure de l'appareil.



- Veuillez retirer l'autocollant, le cas échéant. Vérifier l'appareil pour la présence de tout dommage et pour vous assurer que toutes les vis de la plaque de cuisson sont bien serrées. Les dommages peuvent comprendre : tiroir déformé ou désaligné, joints de tiroirs et surfaces d'étanchéité endommagés, glissière du tiroir mal fixée ou endommagée, bosses à l'intérieur de la cavité ou à l'avant du four. Si vous découvrez des dommages, veuillez ne pas faire fonctionner l'appareil et communiquer avec votre détaillant ou un AGENT DE SERVICE SHARP AUTORISÉ.
- Prendre note des numéros de modèle et de série Ouvrir complètement le tiroir four à micro-ondes (Microwave Drawer™). L'étiquette est au-delà de la paroi du fond de la cavité du four à micro-ondes, orientée vers le haut de la surface plane.

NOTES IMPORTANTES POUR L'INSTALLATEUR

Veuillez laisser ces instructions au consommateur une fois l'installation terminée.

- Veuillez lire le manuel d'installation en entier avant d'installer la plaque de cuisson intelligente à chauffage radiant avec tiroir four à micro-ondes Microwave Drawer™.
- Retirer tous les matériaux d'emballage avant de brancher l'alimentation électrique.
- Respecter tous les codes et toutes les ordonnances en vigueur.
- Les dimensions fournies dans ce manuel indiquent l'espace libre minimum.
- La surface de contact doit être solide et plane.
- Veuillez vous assurer que l'emplacement où l'appareil sera installé dispose d'une alimentation électrique appropriée.
- Cet appareil fonctionne seulement à l'aide d'une alimentation électrique mise à la terre monophasée de CA 240 V/60 Hz.
- La distance minimale entre la plaque de cuisson et l'armoire du dessus est de 76,2 cm (30 po).

PIÈCE INCLUSE

PIÈCES	NUMÉRO DES PIÈCES	QUANTITÉ
Vis de montage	LX-CZB073MRE0	4
Support antibasculement	LANGTB471MRP0	1
Vis de support	LX-CZB073MRE0	2
Bordure arrière	HDEC-B059MRP0	1
Vis de bordure	XOTWW40P08000	2
Trousse d'accessoires latéraux magnétiques	SKRS00A7FS	1

FOURNI PAR L'INSTALLATEUR (NON INCLUS)

PIÈCES	DIMENSIONS	QUANTITÉ
Taquets (colombage)	38,1 x 88,9 x 304,8 mm (1 1/2 po x 3 1/2 po x 12 po)	2

NOTES IMPORTANTES POUR LE CONSOMMATEUR

Veuillez conserver ce manuel d'installation avec votre manuel d'utilisation pour référence ultérieure.

- Lors de l'utilisation d'un appareil qui génère de la chaleur, il est nécessaire de suivre certaines mesures de sécurité. Voir le manuel d'utilisation pour connaître ces mesures de sécurité et les suivre attentivement.
- Cet appareil doit être proprement installé et mis à la terre uniquement par un installateur qualifié ou un technicien d'entretien.
- Cet appareil est équipé d'une connectivité Wi-Fi facultative. Pour activer la fonctionnalité Wi-Fi, l'endroit où l'appareil est installé nécessite l'accès à un signal Wi-Fi. Veuillez consulter le manuel d'utilisation pour connaître les exigences minimales du Wi-Fi.

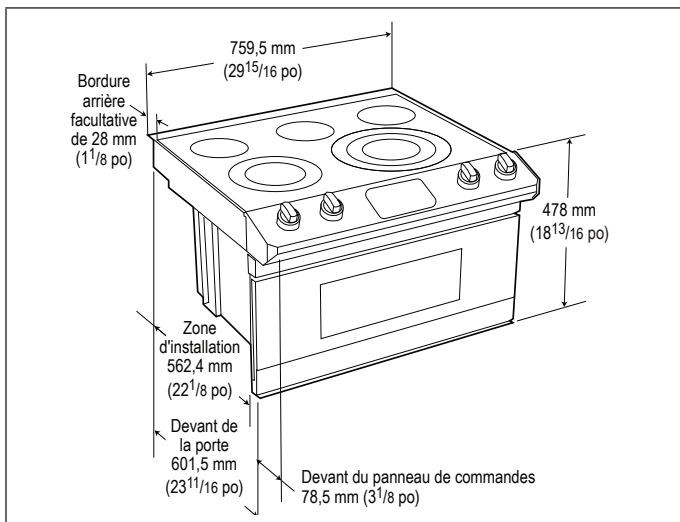
CONSIGNES DE SÉCURITÉ IMPORTANTES

AVERTISSEMENT Si les informations contenues dans ce manuel ne sont pas suivies avec précision, cela peut entraîner un incendie ou une décharge électrique qui pourraient causer des dommages matériels, des blessures personnelles ou la mort.

- Afin de réduire le risque de basculement, le tiroir four à micro-ondes doit être solidement fixé à l'aide d'un support antibasculement correctement installé.
- Cet appareil doit être mis à la terre conformément aux codes locaux.
- Les revêtements muraux, les dessus de comptoir et les armoires autour de l'appareil doivent être en mesure de supporter la chaleur émise par l'appareil.

DÉGAGEMENTS ET DIMENSIONS

- Les dimensions et les dégagements dans ce manuel indiquent le dégagement minimum requis.
- La surface de contact de l'installation doit être solide et plane. La surface sur laquelle l'appareil sera posé doit être construite avec du contreplaqué suffisamment robuste pour supporter un poids de 68 kg (150 lb).



ACCESSOIRES LATÉRAUX

Transformez votre plaque de cuisson à chauffage radiant en véritable poste de travail grâce à la trousse d'accessoires latéraux magnétiques en acier inoxydable. Les accessoires peuvent être placés d'un côté ou l'autre de la plaque de cuisson ou fixés

ensemble à l'aide d'un aimant sur un seul côté, de sorte que vous puissiez configurer votre poste de travail à votre guise selon vos besoins.

La surface de refroidissement offre un espace pour déposer les ustensiles de cuisson chauds une fois qu'ils sont retirés de la surface de cuisson ou du four, et le repose-cuillère permet de déposer les ustensiles lorsque vous cuisinez. Le plateau d'égouttage du repose-cuillère est amovible afin de faciliter le nettoyage. Toutes les pièces vont au lave-vaisselle.

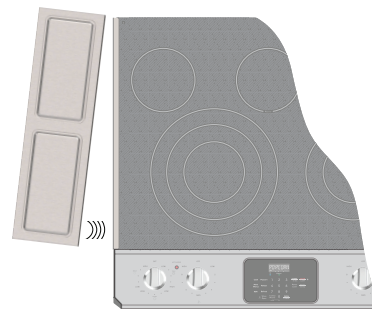
REMARQUE : Il est recommandé d'installer une plaque de cuisson surélevée pour utiliser les accessoires latéraux. Pour installer l'appareil sur une surface surélevée, utiliser la dimension (A) pour la hauteur de l'ouverture dans les figures des pages 3 et 4.

TROUSSE D'ACCESSOIRES MAGNÉTIQUES (SKRS00A7FS)

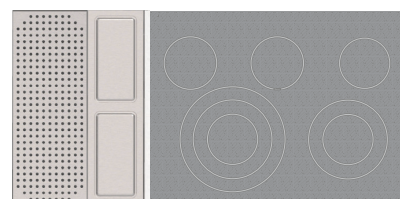
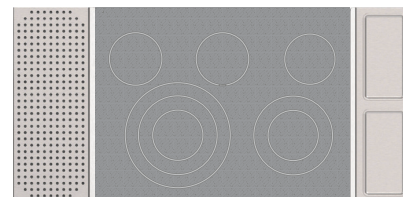
- Comprend une grille de refroidissement et un repose-cuillère
- Côtés magnétiques faciles à attacher
- Va au lave-vaisselle



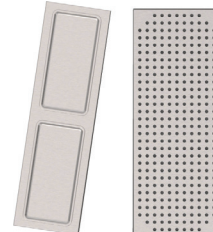
FACILE À ATTACHER



DISPOSER À VOTRE GUISSE



UTILISER SEUL



PRÉPARER LA DÉCOUPE DES OUVERTURES

IMPORTANT Si l'appareil nécessite l'ajout d'une fiche pour utiliser avec une prise électrique, tenez compte de l'emplacement des autres prises murales lorsque vous procédez à la préparation de l'emplacement ou faites appel à un électricien qualifié pour l'installation d'une prise électrique à l'endroit de l'installation. Ne pas utiliser de rallonge électrique avec cet appareil. Voir la section « RACCORDEMENTS ÉLECTRIQUES » à la page 7.

Les dimensions de la découpe peuvent varier selon le choix du type d'installation. Veuillez vous référer à la page 4 pour connaître les exigences précises de la découpe de l'ouverture pour le type d'installation choisi. Les comptoirs et les armoires diffèrent, il faut donc les mesurer avant l'installation. Les dimensions données sont basées sur les dimensions standard.

DIMENSIONS STANDARD	
Profondeur du comptoir de	635 mm (25 po)
Hauteur du comptoir de	914,4 mm (36 po)
Épaisseur de l'armoire de	38,1 mm (1 1/2 po)
Profondeur de l'armoire de	609,6 mm (24 po)
Hauteur de l'armoire de	876,3 mm (34 1/2 po)

REMARQUE : Pour éviter d'endommager l'appareil et l'armoire, veuillez assurer un dégagement minimum de 127 mm (1/2 po) entre la surface du dessus du support en contreplaqué et toute façade de tiroir de l'armoire ou façade de porte d'armoire sous l'appareil.

LARGEUR DE L'OUVERTURE

Tous les types d'installation nécessitent une découpe de 762 mm (30 po) pour accueillir la largeur de l'appareil.

PROFONDEUR DE L'OUVERTURE

La plupart des comptoirs surplombent la façade de l'armoire de 2,5 cm (1 po), mais les modèles varient. Mesurer le surplomb et ajouter cette mesure à la dimension de la découpe de l'armoire de 562,4 mm (22 1/8 po) pour déterminer la dimension totale de l'ouverture du comptoir.

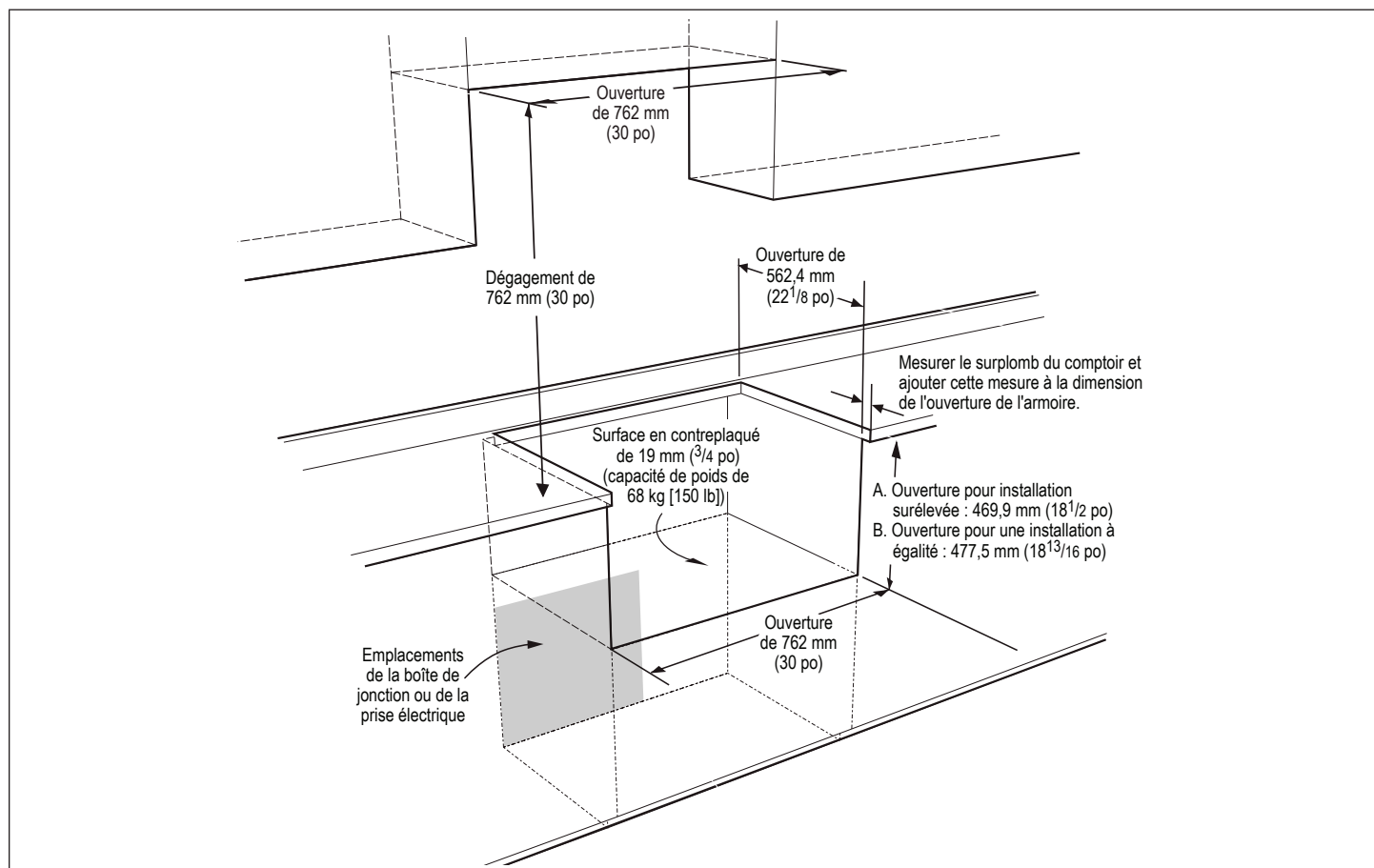
La bordure arrière peut être installée pour reposer sur le dessus du comptoir ou à égalité avec le comptoir. Si la bordure arrière doit être installée à égalité avec le comptoir, ajouter 28,6 mm (1 1/8 po) à l'ouverture de la découpe.

HAUTEUR DE L'OUVERTURE

Tous les types d'installation nécessitent l'installation d'une surface en contreplaqué de 19 mm (3/4 po) pour soutenir l'appareil. La surface doit être en mesure de supporter un poids d'au moins 68 kg (150 lb). Pour une installation surélevée (A), la hauteur de l'ouverture doit être de 469,9 mm (18 1/2 po) à partir du dessus du comptoir vers le bas. Pour une installation à égalité (B), la hauteur de l'ouverture doit être de 477,5 mm (18 13/16 po) à partir du dessus du comptoir vers le bas.

DÉCOUPE DE L'ARMOIRE DU HAUT

Tous les types d'installation nécessitent un dégagement vertical de 762 mm (30 po) à partir de la surface de la plaque de cuisson jusqu'à la base de l'armoire du haut. L'ouverture de la découpe des armoires du haut doit être d'une largeur de 762 mm (30 po).



OPTIONS D'INSTALLATION

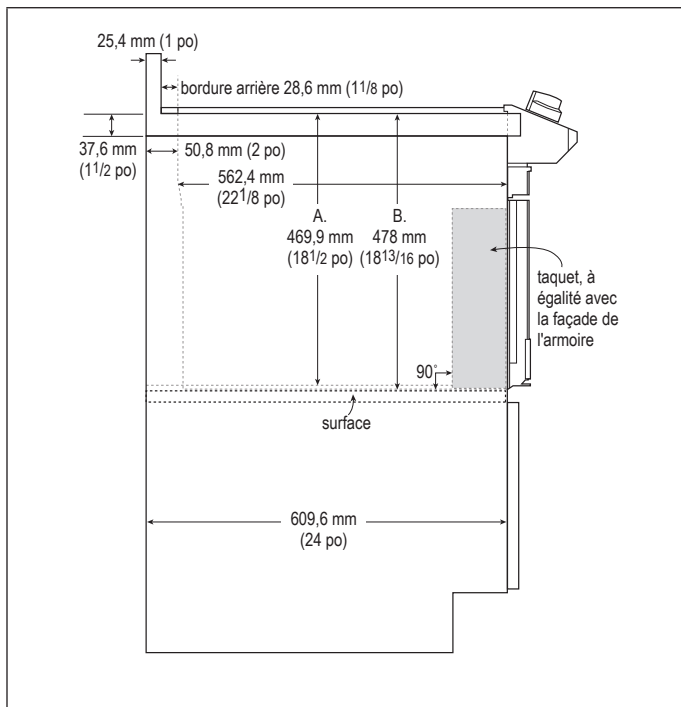
L'installation de la plaque de cuisson intelligente à chauffage radiant avec tiroir four à micro-ondes Microwave Drawer™ peut facilement être personnalisée. Pour choisir le type d'installation approprié, veuillez tenir compte des points suivants :

- Le devant du tiroir four à micro-ondes (Microwave Drawer™) peut être standard, soit 44,4 mm (1³/₄ po) en surplomb de la façade de l'armoire, ou à égalité avec la façade de l'armoire.
- La surface de la table de cuisson peut être surélevée de 7,9 mm (5/16 po) au-dessus du comptoir ou peut être à égalité avec le comptoir.
- La bordure arrière peut être incluse ou non.

La façon dont l'appareil est installé n'est qu'une question de préférence et n'en affecte pas la fonctionnalité. Cependant, si vous prévoyez utiliser les accessoires latéraux, il est recommandé d'installer une plaque de cuisson surélevée. Pour une installation surélevée, utiliser les dimensions (A) pour la hauteur de l'ouverture.

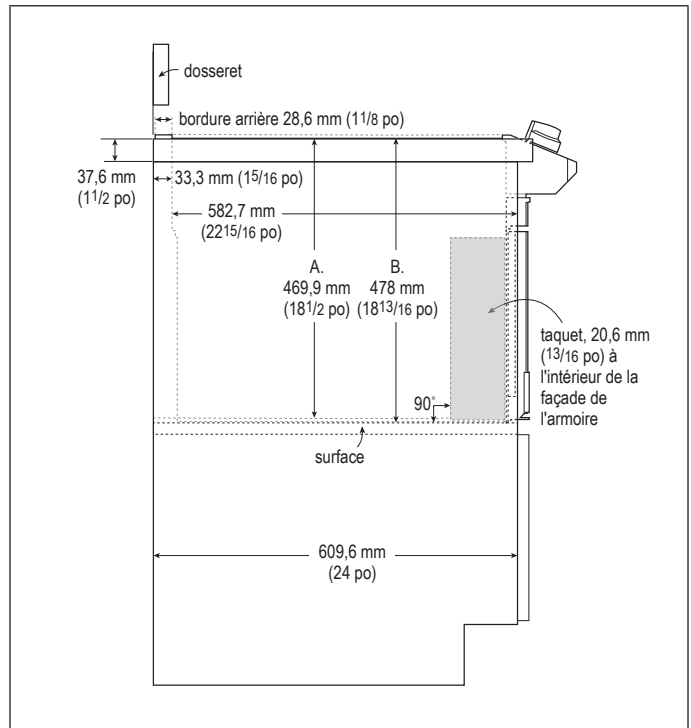
Installation standard avec bordure arrière

Ce type d'installation permet de poser l'appareil avec la façade du tiroir qui surplombe la façade de l'armoire et comprend la pose d'une bordure arrière facultative. La surface de la plaque de cuisson peut être surélevée (A) ou à égalité (B).



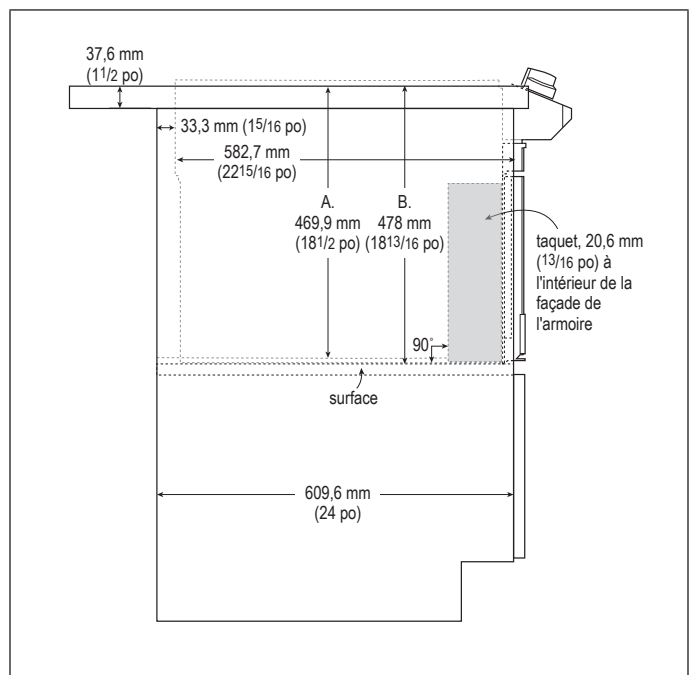
Installation à égalité avec bordure arrière

Ce type d'installation permet de poser l'appareil avec la façade du tiroir à égalité avec la façade de l'armoire et comprend la pose d'une bordure arrière facultative. La surface de la plaque de cuisson peut être surélevée (A) ou à égalité (B).



Installation à égalité sans bordure arrière (installation sur un îlot)

Ce type d'installation permet de poser l'appareil avec la façade du tiroir à égalité avec la façade de l'armoire et ne comprend pas de bordure arrière. Ce type d'installation est recommandé pour les îlots. La surface de la plaque de cuisson peut être surélevée (A) ou à égalité (B).



AVANT DE PLACER L'APPAREIL

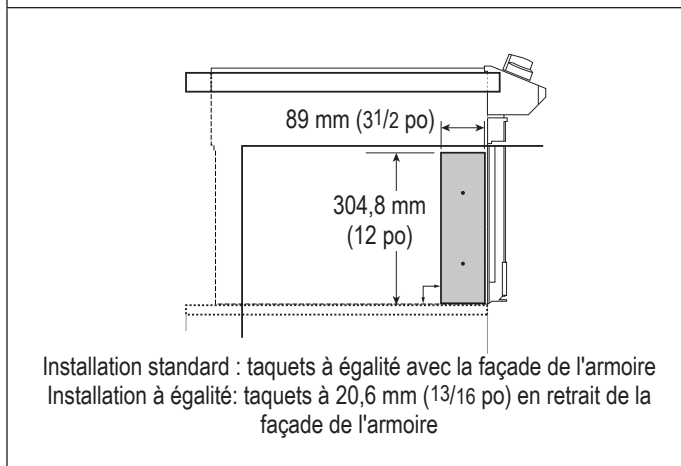
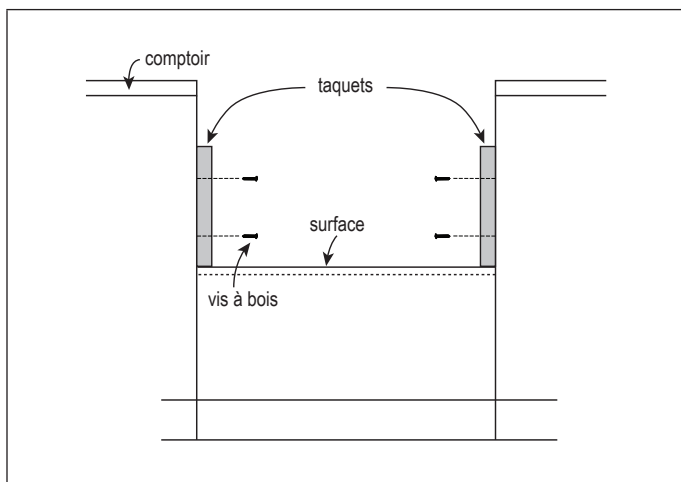
VEUILLEZ FIXER LES TAQUETS

VEUILLEZ FIXER LES TAQUETS

Tous les types d'installation nécessitent l'utilisation de deux colombages de 304,8 mm (12 po) en guise de taquets. Les deux colombages de 304,8 mm (12 po) ne sont PAS inclus et doivent être fournis par l'installateur.

REMARQUE : Comme pour la plupart des pièces de bois de charpente, les colombages ne mesurent pas 50,8 mm x 101,6 mm (2 po x 4 po), car ils sont ouvrés et bordurés pour être uniformes. Un colombage (2 x 4) mesure en réalité 38,1 mm x 88,9 mm (1 1/2 po x 3 1/2 po). Les dimensions réelles des taquets sont de 38,1 mm x 88,9 mm x 304,8 mm (1 1/2 po x 3 1/2 po x 12 po).

1. Pré-percer deux trous dans chaque taquet, à environ 76,2 mm (3 po) des deux extrémités.
2. **Installation standard :** Placer les taquets à égalité avec la façade de l'armoire.
- Installation à égalité :** Placer les taquets à 20,6 mm (13/16 po) en retrait de la façade de l'armoire.
3. Placer les taquets à la verticale sur la surface du contreplaqué, une extrémité à plat sur la base. Les taquets placés à la bonne profondeur selon le type d'installation choisi, fixer les taquets sur les côtés des armoires adjacentes à l'aide des vis fournies.
4. Utiliser une équerre ou tout autre outil à angle droit pour assurer que les taquets sont fixés à un angle de 90° de la surface. Ajuster si nécessaire.



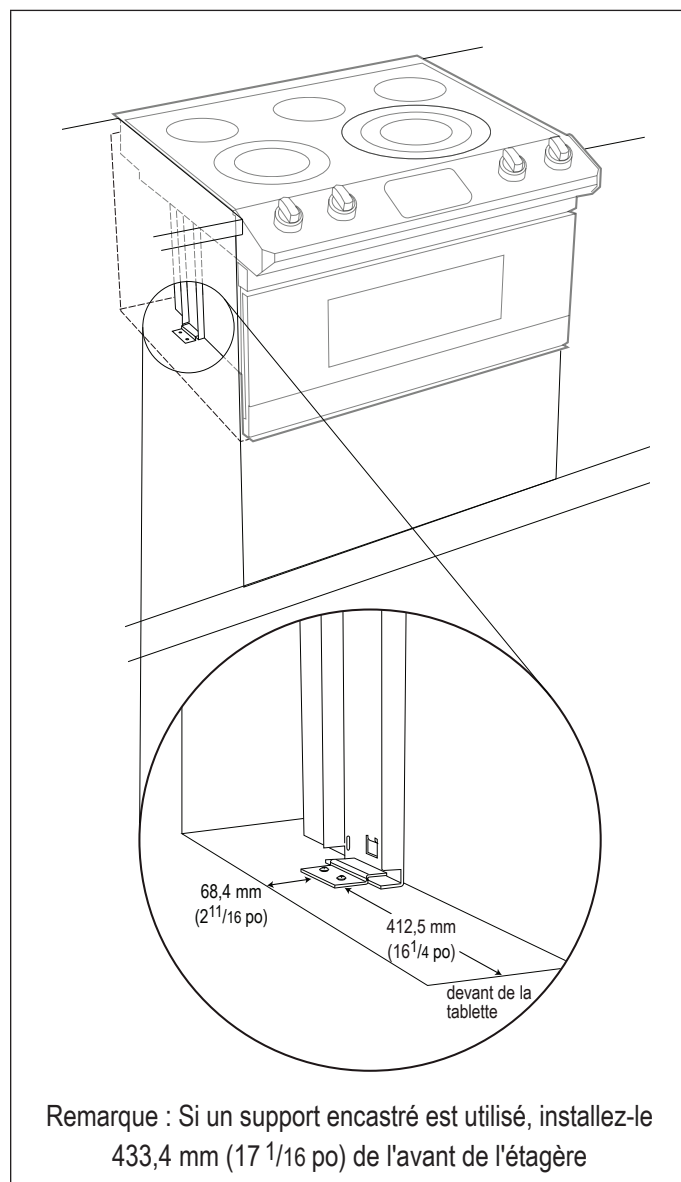
Installation standard : taquets à égalité avec la façade de l'armoire
Installation à égalité : taquets à 20,6 mm (13/16 po) en retrait de la façade de l'armoire

FIXER LE SUPPORT ANTI-BASCULEMENT

Pour réduire le risque de basculement du tiroir en raison d'une utilisation anormale, le support anti-basculement doit être fixé à la surface en contreplaqué qui permettra de tenir l'appareil. L'emplacement du support est le même pour tous les types d'installation.

Placer le support à 68,4 mm (2 11/16 po) de l'armoire adjacente à gauche et à 412,5 mm (16 1/4 po) de l'avant de l'ouverture. Fixer le support avec les vis fournies.

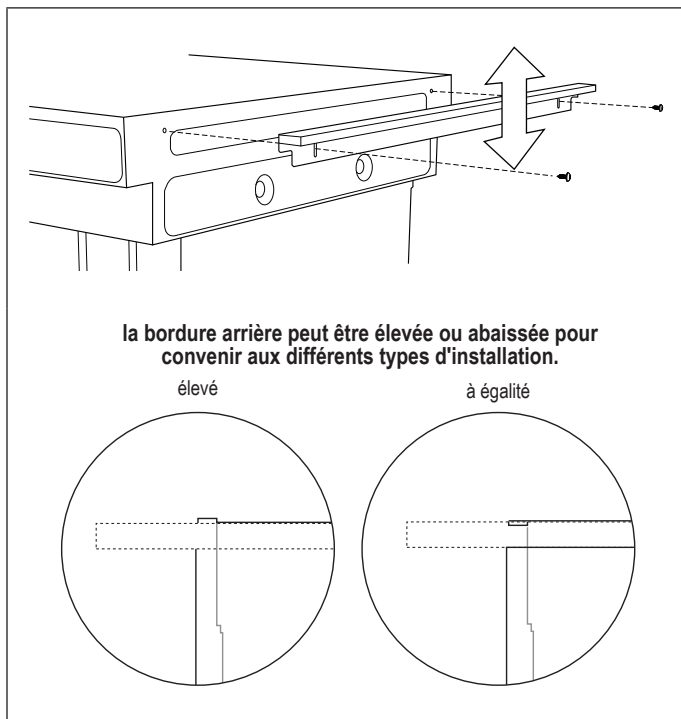
Une fois que l'appareil est installé, un rebord sur l'appareil glissera sous le support anti-basculement et permettra de maintenir l'appareil en place.



FIXER LA BORDURE ARRIÈRE FACULTATIVE

La bordure arrière est une pièce facultative qui peut être ajoutée pour donner une apparence encastrée. Pour fixer la bordure arrière à l'appareil, il suffit de la visser à l'arrière de l'appareil à l'aide des vis fournies.

La hauteur de la bordure arrière est ajustable selon les différents types d'installation. Pour élever ou abaisser la bordure arrière, dévisser légèrement les vis et ajuster la bordure arrière, puis serrer les vis.



RACCORDEMENTS ÉLECTRIQUES

Si le code le permet et que vous utilisez un fil de mise à la terre, nous recommandons que le chemin du fil de mise à la terre soit déterminé et approuvé par un électricien qualifié et que le calibre du fil soit conforme aux codes locaux.

AU CANADA

Veuillez vous assurer que le raccordement électrique et que le calibre du fil est approprié et en conformité avec la norme C22.1 de la CSA, la dernière version de la norme du Code canadien de l'électricité, partie 1, ainsi que tous les codes et règlements locaux.

Une copie des normes du Code peut être obtenue de :

L'Association canadienne de normalisation
csagroup.org/standards

ALIMENTATION ÉLECTRIQUE

Cet appareil doit être alimenté avec le voltage et la fréquence appropriés et raccordé à un circuit de dérivation individuel correctement mis à la terre, protégé par disjoncteur ou un fusible avec l'ampérage indiqué sur la plaque signalétique.

CALIBRE DU DISJONCTEUR OU DU FUSIBLE	
240 V	40 A
208 V	40 A

REMARQUE : Veuillez vérifier les codes locaux afin de connaître le calibre requis pour le disjoncteur.

Tous les câblages et branchements électriques pour cet appareil doivent être effectués par un électricien qualifié. Veuillez prendre note de l'emplacement du débranchement principal de l'appareil.

RACCORDEMENTS ÉLECTRIQUES

Cet appareil est équipé d'un câble d'alimentation électrique neutre (blanc) et d'un câble de mise à la terre raccordé à l'armoire (vert).

Raccorder le câble de l'appareil à la boîte de jonction par le raccord de conduit homologué UL. Effectuer les raccordements électriques conformément aux codes et aux règlements locaux. Consulter la page 3 pour connaître les emplacements de la boîte de jonction et de la prise électrique.

REMARQUE POUR L'ÉLECTRICIEN : Les fils de sortie blindés fournis avec cet appareil sont homologués UL pour les raccordements avec le câblage domestique de plus gros calibre. L'installation des fils de sortie est prévue à des températures beaucoup plus élevées que la température nominale du câblage domestique. La capacité de transport de courant du conducteur est gérée par la température nominale de l'installation autour du câble plutôt que le calibre du câble seulement.

REMARQUE :

- Un serre-fil de calibre approprié doit être placé par-dessus les fils de sortie dénudés et serré jusqu'à ce qu'il ne puisse pas être tiré des fils de sortie. Aucun conducteur ne doit être exposé dans le raccordement.
- Ne pas raccourcir le conduit flexible. La bride de décharge du conduit (fournie par l'installateur) doit être fixée solidement à la boîte de jonction, et le conduit flexible doit être fixé solidement à la bride. Si le conduit flexible ne convient pas à la boîte de jonction, ne pas installer l'appareil jusqu'à ce que vous puissiez vous procurer une bride de la taille appropriée.

⚠ AVERTISSEMENT



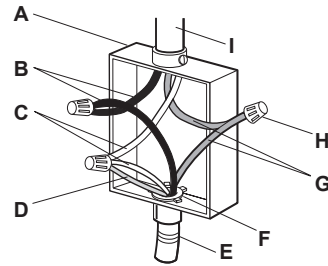
RISQUE DE DÉCHARGE ÉLECTRIQUE

- La mise à la terre avec un conducteur neutre est interdite pour les nouvelles installations de circuit de dérivation (1996 NEC), les maisons mobiles et les véhicules récréatifs, ou dans les régions où les codes locaux interdisent la mise à la terre avec un conducteur neutre. Pour les installations où la mise à la terre avec un conducteur neutre est interdite, consulter le graphique du neutre non mis à la terre.
- Utiliser le fil de sortie ou le connecteur de terre pour la mise à la terre de l'appareil.
- Raccorder le connecteur neutre ou le fil de sortie pour raccorder le neutre du circuit de dérivation de manière habituelle. Le manquement à cette obligation peut entraîner la mort, un incendie ou une décharge électrique.
- L'alimentation électrique du circuit de dérivation doit être coupée lorsque les raccordements sont effectués. Ne pas utiliser de rallonge électrique avec cet appareil.
- Une mise à la terre électrique est requise pour cet appareil. L'extrémité libre du fil vert (le fil de la mise à la terre) doit être raccordée à une mise à la terre convenable. Ce fil de mise à la terre doit rester raccordé au four.
- Si le conduit d'eau froide est interrompu par des bagues non métalliques, en plastique, des raccords union ou tout autre matériau isolant, NE PAS utiliser pour la mise à la terre.
- NE PAS raccorder de mise à la terre à une conduite de gaz.
- NE PAS installer de fusible dans le circuit du neutre ou le circuit de mise à la terre. Un fusible dans le circuit du neutre ou le circuit de la mise à la terre peut entraîner une décharge électrique.
- En cas de doute, demandez à un électricien qualifié de vérifier si l'appareil est correctement mis à la terre.
- Un défaut de mise à la terre peut entraîner la mort, un incendie ou une décharge électrique.
- Un mauvais raccordement de câblage domestique en aluminium à des fils de sortie en cuivre peut entraîner un risque de décharge électrique ou d'incendie. Veuillez n'utiliser que des raccords conçus pour joindre des fils de cuivre à des fils en aluminium et suivre attentivement les procédures recommandées du fabricant.

CÂBLE À 3 FILS DE L'ALIMENTATION ÉLECTRIQUE DOMESTIQUE - ÉTATS-UNIS SEULEMENT

IMPORTANT : Utiliser le câble à 3 fils de l'alimentation électrique domestique lorsque les codes locaux permettent les raccordements à 3 fils.

NEUTRE MIS À LA TERRE



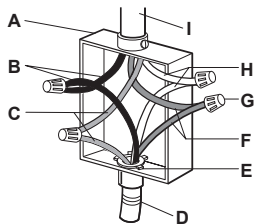
A Boîte de jonction	F Raccord de conduit homologué UL
B Fils noirs	G Fils rouges
C Fils neutres (blanc)	H Connecteurs de fils homologués UL
D Fil de mise à la terre (vert ou dénudé)	I Alimentation électrique domestique
E Câble du four	

1. Couper le courant avant l'entretien.
2. Raccorder les deux fils noir **B** ensemble à l'aide d'un connecteur de fils homologué UL.
3. Raccorder les deux fils neutres (blanc) **C** et le fil de mise à la terre **D** du câble du four (vert ou dénudé) à l'aide d'un connecteur de fils homologué UL.
4. Raccorder les deux fils rouge **G** ensemble à l'aide d'un connecteur de fils homologué UL.
5. Installer le couvercle de la boîte de jonction.

CÂBLE À 4 FILS DE L'ALIMENTATION ÉLECTRIQUE DOMESTIQUE

IMPORTANT : Utiliser le câble à 4 fils de l'alimentation électrique domestique là où les codes locaux ne permettent pas la mise à la terre avec un conducteur neutre aux États-Unis, les nouvelles installations avec circuit de dérivation (1996 NEC), les maisons mobiles et les véhicules récréatifs, les nouvelles constructions et au Canada.

NEUTRE NON MIS À LA TERRE

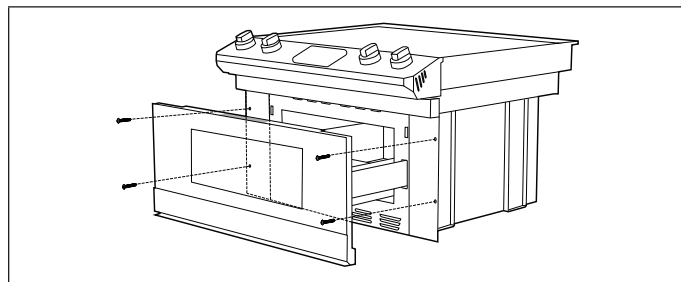
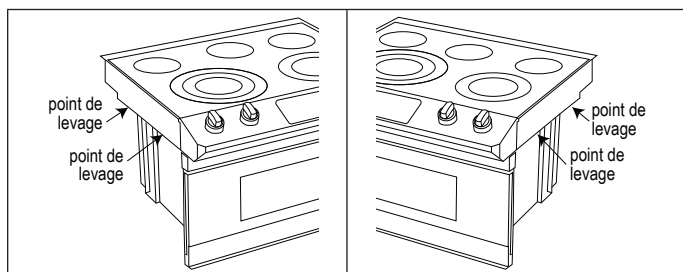


- | | |
|-----------------------------------------------------------------|--------------------------------------------------|
| A Boîte de jonction | F Fil de mise à la terre (vert ou dénudé) |
| B Fils noirs | G Connecteurs de fils homologués UL |
| C Fils rouges | H Fils neutres (blanc) |
| D Câble du four | I Alimentation électrique domestique |
| E Raccord de conduit homologué UL ou approuvé par la CSA | |

1. Couper le courant avant l'entretien.
2. Raccorder les deux fils noir **B** ensemble à l'aide d'un connecteur de fils homologué UL.
3. Raccorder les deux fils rouge **C** ensemble à l'aide d'un connecteur de fils homologué UL.
4. Raccorder les deux fils neutres (blanc) **H** ensemble à l'aide d'un connecteur de fils homologué UL.
5. Raccorder le fil de mise à la terre **F** du câble du four (vert ou dénudé) au fil de mise à la terre de la boîte de jonction (vert ou dénudé) à l'aide d'un connecteur de fils homologué UL.
6. Installer le couvercle de la boîte de jonction.

PLACER ET INSTALLER L'APPAREIL

Deux personnes sont requises pour soulever, transporter et installer cet appareil de manière sécuritaire. L'appareil doit être soulevé par les côtés droit et gauche de l'appareil en le tenant en dessous de la plaque de cuisson.



1. Soulevez l'unité et placez l'extrémité arrière sur la surface en contreplaqué.
2. Redressez l'appareil, puis faites-le glisser lentement dans l'ouverture. Le support anti-basculement installé s'accrochera à une lèvre attachée et maintenir l'unité en place.
3. Ouvrez le tiroir. En utilisant les 4 trous du tiroir comme gabarit, pré-percez l'armoire à l'aide d'une mèche de 1/16" (1,6 mm).
4. Fixez l'unité avec les 4 vis fournies.

EMPLACEMENT DES NUMÉROS DE MODÈLE ET DE SÉRIE

La plaque signalétique comprend les numéros de modèle et de série. Ouvrir complètement le tiroir four à micro-ondes (Microwave Drawer™). L'étiquette est située au-delà de la paroi du fond de la cavité du four à micro-ondes, orientée vers le haut de la surface plane.

ENTRETIEN, NETTOYAGE ET MAINTENANCE

Veuillez consulter le manuel d'utilisation pour les instructions de nettoyage.

AVANT DE COMMUNIQUER AVEC LE SERVICE DE RÉPARATION

Veuillez lire les sections AVANT D'APPELER et relatives aux instructions d'utilisation de votre manuel d'utilisation. Cela pourrait vous faire économiser du temps et de l'argent. La liste comprend des situations courantes qui ne sont pas le résultat de défauts de fabrication ou de matériels de cet appareil.

Veuillez consulter la garantie dans votre manuel d'utilisation pour obtenir le numéro sans frais et l'adresse du service de Sharp. Veuillez appeler ou écrire si vous avez des questions concernant votre appareil à micro-ondes et/ou si vous devez commander des pièces.