

SSR3061JS, SSR3065JS, SSR3071JS 30" SLIDE-IN ELECTRIC RANGE INSTALLATION MANUAL

IMPORTANT NOTICE

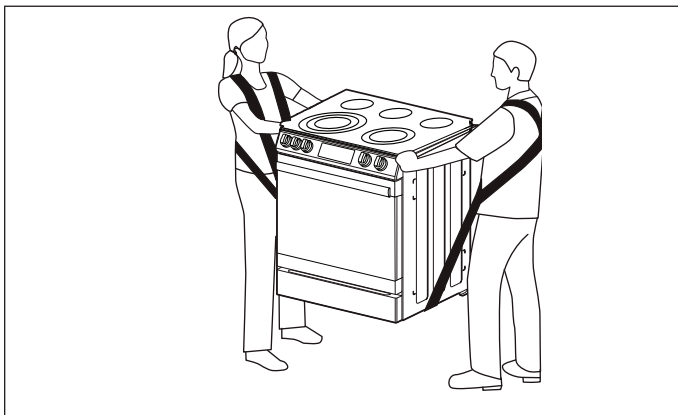
- Read and save these instructions for future reference.
- Installation and service must be performed by a qualified installer.
- Save this installation manual for local electrical inspector's use.

⚠ WARNING

- If the information in this manual is not followed exactly, a fire or explosion may occur, causing property damage, personal injury or death. In the event of a fire or explosion, move away from the appliance immediately and call the local fire department.
- NEVER attempt to extinguish oil/grease fire with water.
- Do not store or use gasoline or other flammable vapors and liquids in the vicinity of this or any other appliance.
- Installation and service must be performed by a qualified installer, serviceperson.

SAFELY LIFT AND MOVE UNIT

- Two people are required to safely lift and move this unit.
- Do not move unit by pushing or pulling on the door or control panel. Do not lift by the cooktop edges. Push, pull or lift only on the body or structural areas, such as oven, oven face or back corners of range.
- Move range by lifting, not sliding, to prevent damage to floors. Use cardboard, plywood, or stiff plastic to protect floors if sliding is necessary.



UNPACKING APPLIANCE

- Remove all packing materials from inside the appliance. Remove the feature sticker, if there is one, from the outside of the oven.
- Check the appliance for any damage. If there is any damage, do not operate the appliance and contact your dealer or a Sharp Authorized Servicer.
- Record the model and serial number.

IMPORTANT NOTES TO THE INSTALLER

- Leave these instructions with the consumer after installation.
- Read the entire Installation Manual before installing the appliance.
- Remove all packing material before connecting the electrical supply.

INSTALLATION LOCATION

- The dimensions and clearances in this manual indicate minimum clearance required.
- Minimum distance between rangetop and overhead cabinetry is 30".
- The contact surface and floor on which the appliance rests must be solid and level.
- Ensure installation location has proper electrical supply.
- Any openings in the wall behind the appliance and in the floor under the appliance must be sealed.

OBSERVE GOVERNING CODES

- Observe all governing codes and ordinances.
- This appliance requires connection to a 3-prong, 208/240VAC 60Hz grounded electrical source. When installed, appliance must be electrically grounded in accordance with local codes or, in the absence of local codes, with the National Electrical Code, NFPA 70.

PARTS

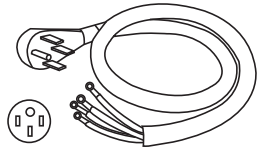
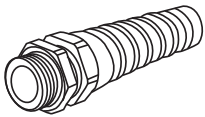
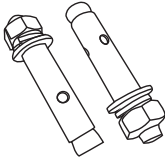
Before installing, verify all parts are included. If any parts are damaged and/or missing, contact your dealer or a Sharp Authorized Servicer.

PART INCLUDED

PARTS	QUANTITY
Anti-Tip Bracket	1 bracket, 2 screws
Oven Probe	1
Flat Rack	1 or 2 (depending on the model)
Gliding Rack (some models)	1
Optional Rear Trim Kit	1 trim, 2 screws

MATERIALS NEEDED


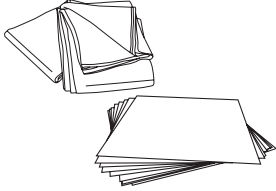
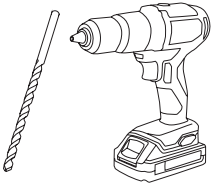
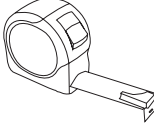
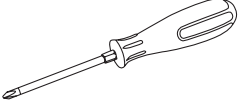
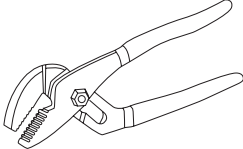
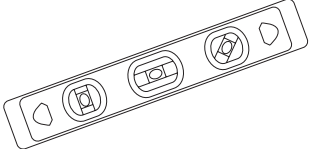
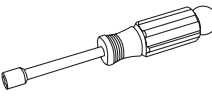
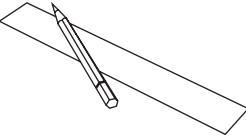
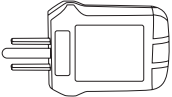
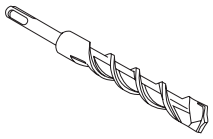
The utility connection and house structure at each home may be different, so the specific parts required for connection to the house are not included with the product. The parts identified below are or may be required to complete the installation. Always use new components and never use an old part for new range installation.

 <p>14-50P GETWIREDUSA FX359 POWER CORD</p>	 <p>STRAIN RELIEF FOR POWER CORD (SUPPLIED WITH CORD KIT)</p>
 <p>5/16" OD SLEEVE ANCHOR (WITH 1/4" BOLT) - 2 PCS (FOR CONCRETE FLOORS ONLY)</p>	

SUPPLIED BY INSTALLER (NOT INCLUDED)

The utility connection and house structure of each home varies, so specific parts required for connection are not included with the product and must be purchased separately. Always use new components; never use an old part for a new range installation.

TOOLS NEEDED

 <p>CUT RESISTANT GLOVES, SAFETY GLASSES OR GOGGLES, STEEL-TOED SHOES (FOR YOUR SAFETY AND PROTECTION)</p>	
 <p>DROP CLOTH OR CARDBOARD (OPTIONAL - TO PROTECT FLOOR)</p>	 <p>DRILL AND 1/8" DRILL BIT (FOR ANTI-TIP BRACKET INSTALLATION)</p>
 <p>TAPE MEASURE (TO CONFIRM INSTALLATION SPACE)</p>	 <p>PHILLIPS SCREWDRIVER (TO ACCESS SERVICEABLE COVERS)</p>
 <p>ADJUSTABLE GROOVE-JOINT OR GOOSENECK PLIERS (FOR LEVELING PRODUCT)</p>	 <p>LEVEL (FOR LEVELING PRODUCT)</p>
 <p>NUT DRIVER (FOR ELECTRICAL CONNECTIONS AND ANTI-TIP BRACKET INSTALLATION)</p>	 <p>PENCIL AND RULER (FOR ANTI-TIP BRACKET INSTALLATION)</p>
 <p>208/240VAC OUTLET TESTER</p>	 <p>MASONRY DRILL BIT (FOR ANTI-TIP BRACKET INSTALLATION - CONCRETE FLOORS ONLY)</p>

IMPORTANT NOTES TO THE CONSUMER

Keep this Installation Manual with your Operation Manual for future reference.

- When using any appliance generating heat, safety precautions must be followed. See the Operation Manual for safety precautions and follow them carefully.
- The unit must be installed and grounded properly by a qualified installer or service technician.
- Some models of this unit come equipped for optional Wi-Fi connection. In order to activate the Wi-Fi functionality, the area in which the unit is installed requires a Wi-Fi signal. Please see the Operation Manual for the minimum Wi-Fi requirements.

IMPORTANT SAFETY INSTRUCTIONS

⚠ WARNING If the information in this manual is not followed exactly, a fire or electrical shock may result which could cause property damage, personal injury or death.

- To reduce the risk of tipping, the unit must be secured by a properly installed Anti-Tip bracket.
- This unit must be electrically grounded in accordance with local codes.
- Wall coverings, countertops and cabinets around the unit must be able to withstand heat generated by the unit.

CLEARANCES AND DIMENSIONS

- The dimensions and clearances in this manual indicate minimum clearance required.
- The contact surface of the installation must be solid and level.
- The surface on which the unit sits must be constructed of plywood strong enough to support 150 lb.

SLIDE-IN ELECTRIC RANGE SPECIFICATIONS

Exterior dimensions	<ul style="list-style-type: none"> • Height: 35¹/₂" • Width: 29⁷/₈" • Depth: 26⁹/₁₆" • Cooking surface height: adjustable up to 36¹/₂"
Electrical requirements	208/240VAC 60Hz
Net weight	225 lb
Oven capacity	6.3 cubic ft

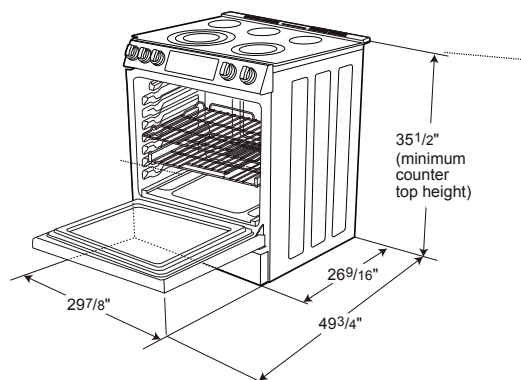


FIGURE 1

ELECTRICAL SUPPLY REQUIREMENTS

This unit must be supplied with the proper voltage and frequency and connected to an individual, properly grounded branch circuit, protected by a circuit breaker or fuse having amperage as noted on the rating plate.

A 3-wire or 4-wire, split-phase 208/240VAC 60Hz electrical system must be used.

NOTE: Check local codes for required breaker size. All electrical wiring and hookup for this unit must be done by a qualified electrician. Make note of the location of the main appliance disconnect.

PREPARE THE CUTOUT OPENINGS

IMPORTANT This range has been designed to comply with the maximum allowable wood cabinet temperature of 194 °F. Ensure the wall coverings, countertops, cabinets, and any other materials in contact with the range are rated for a minimum of 194 °F. If not, discoloration, delamination, or melting may occur.

Before starting the installation process, confirm the installation space meets the following dimensions and clearances. Do not locate the range where it may be subject to strong drafts. Seal any openings in the wall, floor or cabinets in the installation space. Provide adequate clearances between the range and adjacent combustible surfaces. These dimensions must be met for safe use of the range and provide a minimum clearance. Contact surface must be solid and level. Follow all dimension requirements to prevent property damage, potential fire hazard and incorrect countertop and cabinet cuts.

The installation location of the range must be a plywood base at the same level or higher than the surrounding floor covering (hardwood, tile, linoleum, etc.) to allow the range to be moved for cleaning and servicing and provide proper airflow to the range.

Ensure floor covering material can resist temperatures of at least 167 °F. Ensure the wall coverings, countertops, cabinets, and any other materials in contact with the range can resist temperatures up to 194 °F generated by the range.

Clearances are based on standard counter and cabinet dimensions as shown in the STANDARD DIMENSIONS chart below. See Figure 2 for required clearances.

STANDARD DIMENSIONS

Countertop height	36"
Countertop depth	25"
Countertop thickness	1 ¹ / ₂ "
Cabinet height	34 ¹ / ₂ "
Cabinet depth	24"
Distance between rangetop and upper cabinet	30"

CUTOUT DIMENSIONS	
SLIDE-IN CUTOUT	
Width	30"
Depth	23 ¹¹ / ₁₆ "
FREESTANDING CUTOUT	
Width	30"
Depth	25"

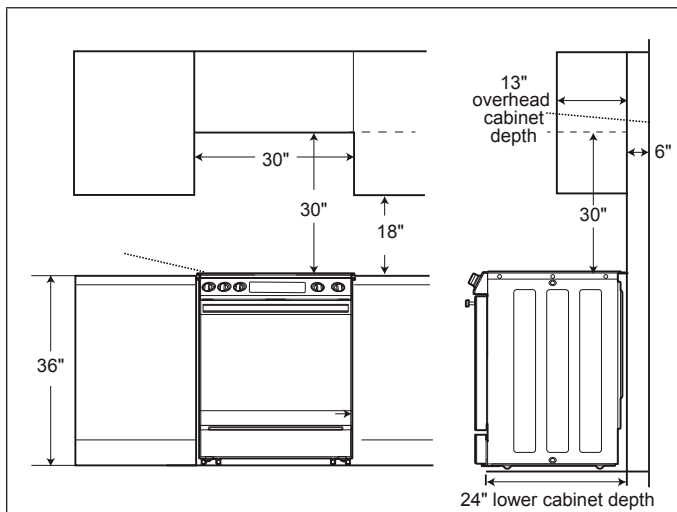


FIGURE 2

NOTES:

- FOR ISLAND INSTALLATIONS, MAINTAIN 6" MINIMUM FROM THE CUTOUT TO THE BACK AND SIDE EDGES OF COUNTERTOP.
- OVERHEAD CABINETS MUST BE AT LEAST 30" (76.2CM) ABOVE THE COOKTOP SURFACE AND NOT EXTEND MORE THAN 13" (33CM) OVER THE COOKTOP SURFACE.
- MAINTAIN 0" CLEARANCE AT REAR AND SIDES OF THE RANGE.

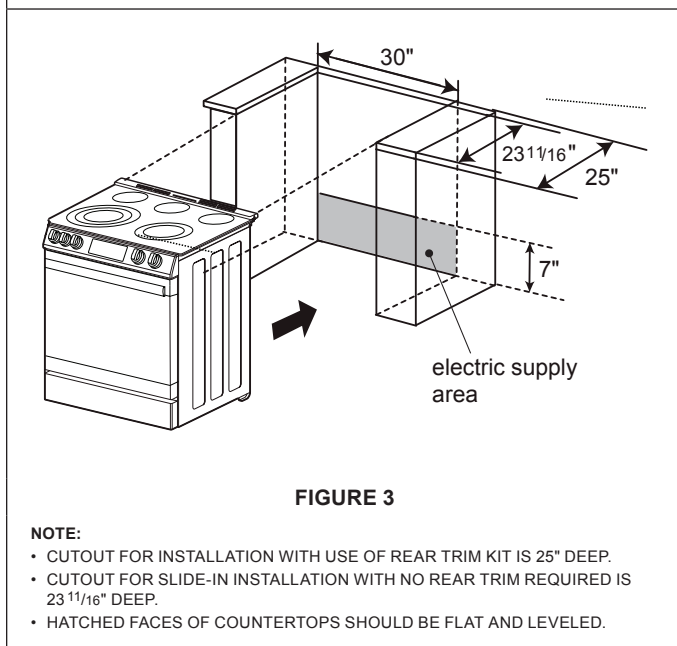


FIGURE 3

NOTE:

- CUTOUT FOR INSTALLATION WITH USE OF REAR TRIM KIT IS 25" DEEP.
- CUTOUT FOR SLIDE-IN INSTALLATION WITH NO REAR TRIM REQUIRED IS 23¹¹/₁₆" DEEP.
- HATCHED FACES OF COUNTERTOPS SHOULD BE FLAT AND LEVELED.

INSTALLATION PROCEDURE

⚠ CAUTION LACERATION, FOREIGN OBJECT, CRUSH HAZARD

- When installing, moving or servicing any appliance, wear proper protective equipment, including cut resistant gloves, steel-toed shoes and safety glasses.

IMPORTANT Failure to remove packaging materials could result in damage to the appliance.

- 1 Remove all tape and packaging materials. Check for film on stainless steel parts, padding/spacers on and around door and face of oven, cardboard and plastic on and around racks, inside storage drawer, etc.

Do not use sharp instruments, rubbing alcohol, flammable fluids, or abrasive cleaners to remove tape or glue. These products can damage the surface of your range.

- 2 Inventory all loose parts against the PARTS INCLUDED chart on page 2.

Check for shipping damage and/or missing parts. Report any damaged and/or missing parts to your local retailer.

- 3 To reduce the weight of the range while being moved, adjusted, and installed, set aside cooktop grates, cooktop burners, oven racks and any other accessories until the unit is installed and ready for use.

During installation, service and leveling, it is recommended to remove the oven door and drawer. See the Operation Manual for instructions on removing the oven door and drawer.

- 4 Adjust and level the range height by rotating the leveling legs so the overhang rests on the countertop surface with no gap.

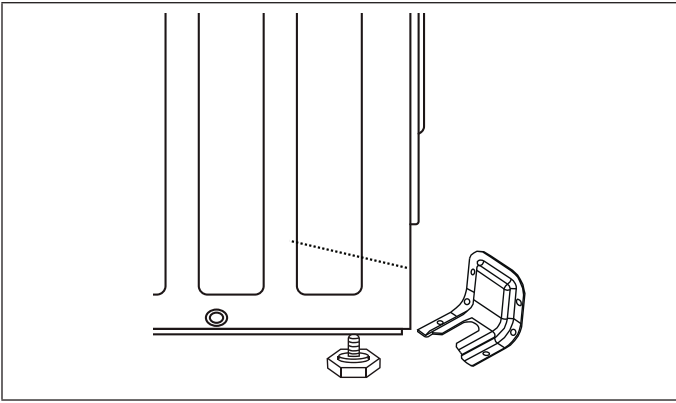
ANTI-TIP BRACKET

⚠ WARNING TIP OVER HAZARD

- A child or adult can tip the range and be injured or killed. Verify the anti-tip device has been properly installed and engaged per installation instructions. Ensure the anti-tip device is re-engaged when the range is moved.
- Do not operate the range without the anti-tip device in place and engaged. Failure to do so can result in death or serious burns to children or adults. Do not remove the leveling legs. Doing so will prevent the range from being secured by the anti-tip device.

To reduce the risk of tipping of the range, the range must be secured to the floor by the properly installed Anti-Tip Bracket and screws packed with the range. Failure to install the Anti-Tip Bracket will allow the range to tip over if excessive weight is placed on an open door or if child climbs upon it. Serious injury might result from spilled hot liquids or from the range itself.

TO INSTALL ANTI-TIP BRACKET



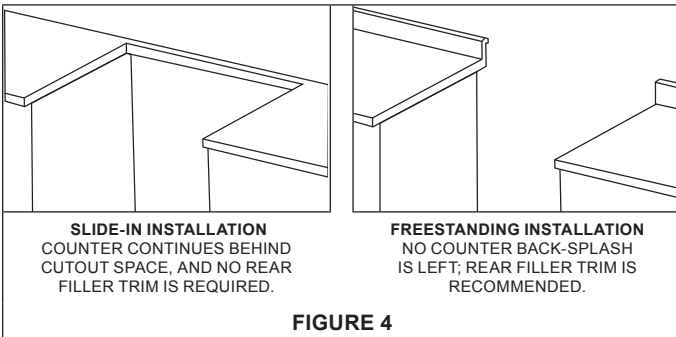
- 1 Using the template provided with the Anti-Tip Bracket, locate the installation area of the Anti-Tip Bracket. The Anti-Tip Bracket may be installed at either the back-left or back-right corner of the installation space, and only one Anti-Tip Bracket is necessary.
- 2 Mark the location of the screws for the Anti-Tip Bracket.
- 3 Attach the Anti-Tip Bracket to the floor or wall.

Wood Construction Installation: Drill a 1/8" pilot hole where screws are to be located. If bracket is to be mounted to the wall, drill pilot hole at an approximate 20° downward angle. Screw must enter wood.

Masonry Construction Installation: Due to the variety of masonry materials that may be present at installation site, hardware is not provided for attaching the Anti-Tip Bracket to masonry. If the bracket is to be mounted to masonry or ceramic floors, attach using two 5/16" OD sleeve anchors (with 1/4" bolt, either hex bolt head or hex nut head) rated for minimum 300 lb tension for the masonry material present at installation site.

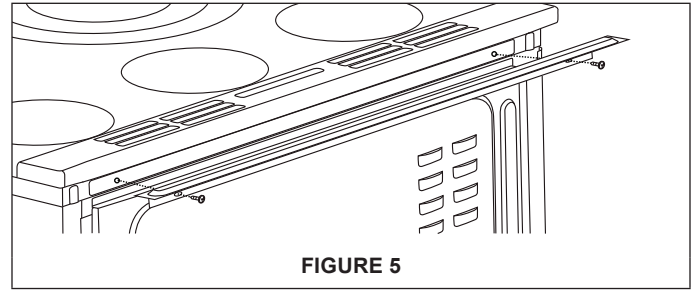
REAR TRIM KIT INSTALLATION (OPTIONAL)

If there is no counter surface around the back edge of the installation space, or if the countertop cutout is greater than 25" deep, this may prevent the range from being installed flush to the back wall. If this occurs, a trim kit can be installed to cover a gap up to 1" in width. See Figure 4.



TO INSTALL REAR TRIM

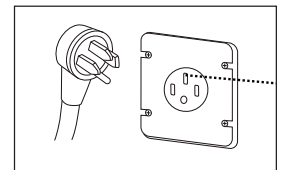
- 1 Align filler trim to mounting holes.
- 2 Attach with screws provided as shown in Figure 5.



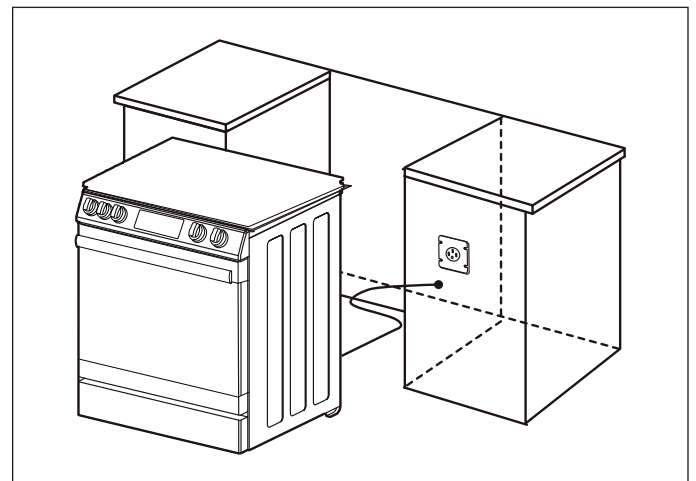
ELECTRICAL SUPPLY CONNECTION

⚠ WARNING ELECTRICAL SHOCK HAZARD

- Installation must be electrically grounded in accordance with local codes or, in the absence of local codes, with the National Electrical Code, NFPA 70.
- Do not use an extension cord with this product.
- The power supply cord and plug should not be modified. If it will not fit the outlet, have a proper outlet installed by a qualified electrician.
- Remove the house fuse or open the circuit breaker before beginning installation.
- Effective January 1, 1996, the National Electrical Code requires that new construction (not existing) utilize a 4-conductor connection to an electric range.
- The appliance must be properly installed and grounded by a qualified service provider.



This appliance must be supplied with the proper voltage and frequency and be connected to an individual, properly grounded branch circuit protected by a circuit breaker or fuse having amperage as specified on the rating plate. The rating plate is located above the drawer on the oven frame. After installation, instruct the consumer where the main range electrical disconnect is located and how to operate it.



A 3-wire or 4-wire, split-phase 208VAC or 240VAC 60Hz electrical system must be used. If the electrical service provided does not meet the above specifications, have a licensed electrician install an approved outlet.

Use only a 3-conductor or a 4-conductor UL-listed range cord rated 40A or 50A. These cords may be provided with crimped ring or fork terminals on the wire. A strain relief device must be used when attaching the cord to the range. Because range terminals are not accessible after the range is in position, a flexible service conduit or cord must be used. Allow 2–3 ft of slack in the line so that the range can be moved if servicing is ever necessary.

Access the range electrical terminal block by removing the screw attaching the rear access cover on the back of the range. See Figure 6.

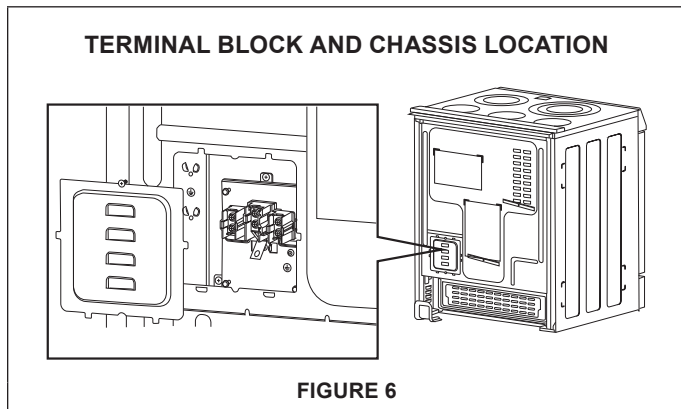


FIGURE 6

TO CONNECT WITH 4-PRONG POWER CORD

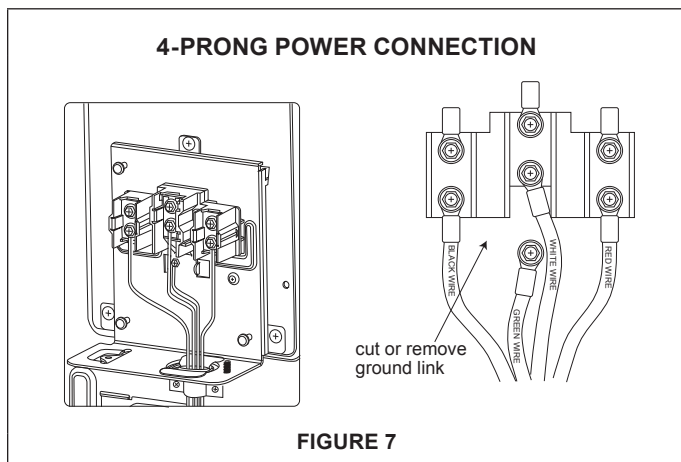


FIGURE 7

- 1 Thread the power cord and leads through the opening below the terminal block. See Figure 7.
- 2 Secure the cord by attaching the strain relief over the cord insulation jacket. (Strain relief must be placed on the body of the cord and not on the leads.) Place the strain relief such that the leads have enough slack to connect to the terminal block without any stress or tension.
- 3 Remove the 3 screws from the supply side of the terminal block.
- 4 Remove the copper ground link connecting the neutral connection on the terminal block to the chassis ground.
- 5 Attach power cord clips with included screws.
- 6 Attach the power cord leads to the terminal block and chassis.
- 7 Replace the access cover when complete.

TO CONNECT WITH 3-PRONG POWER CORD

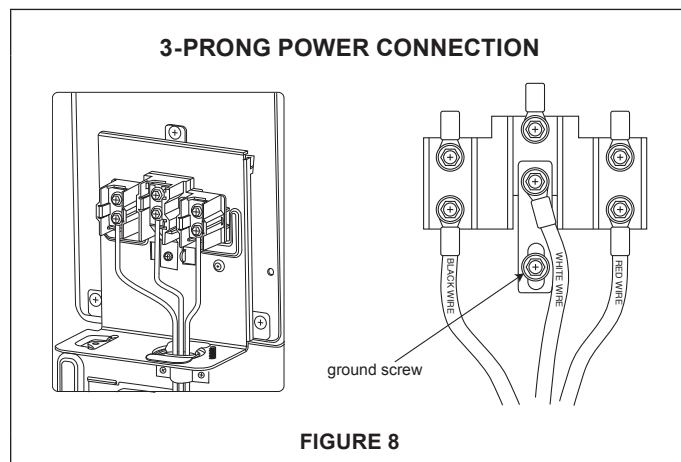


FIGURE 8

- 1 Thread the power cord and leads through the opening below the terminal block. See Figure 8.
- 2 Secure the cord by attaching the strain relief over the cord insulation jacket. (Strain relief must be placed on the body of the cord and not on the leads.) Place the strain relief such that the leads have enough slack to connect to the terminal block without any stress or tension.
- 3 Remove the 3 screws from the supply side of the terminal block.
- 4 Attach the power cord leads to the terminal block.
- 5 Attach power cord clips with included screws.
- 6 Replace the access cover when complete.

TO CONNECT WITH CONDUIT

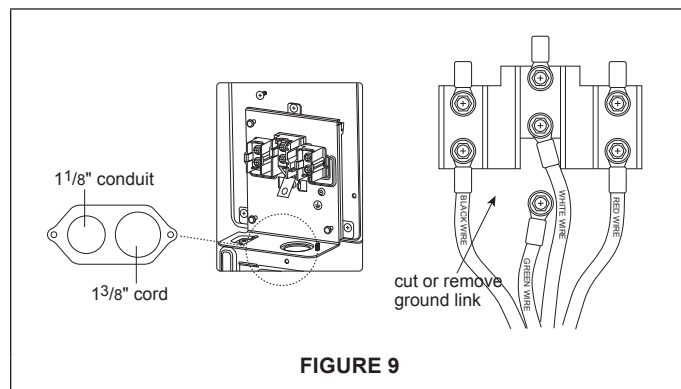


FIGURE 9

- 1 Remove and flip the conduit plate below the terminal block such that the smaller of the two holes is centered over the opening in the electrical enclosure. See Figure 9.
- 2 Insert the conduit strain relief into the opening below the terminal block. Tighten nut to hold conduit strain relief in place.
- 3 Thread the conduit leads through the opening and strain relief.
- 4 Tighten screws on strain relief to secure conduit in place. Place the conduit within the strain relief such that the leads have enough slack to connect to the terminal block without any stress or tension.
- 5 Remove the 3 screws from the supply side of the terminal block. Attach the conduit leads to the terminal.

PLACING UNIT

IMPORTANT

- Do not move unit by pushing or pulling on the door or control panel. Do not lift by the cooktop edges. Push, pull or lift only on the body or structural areas, such as oven, oven face or back corners of range.
- All ranges are heavy. Sliding the range can damage the floor. Use care when moving the range. Use a belt when moving the range to prevent damaging the floor, or use cardboard, plywood or stiff plastic to avoid damaging the floor while sliding the range.

Getting the unit properly placed in the installation space and level may require multiple attempts. It is recommended to measure and adjust leveling legs before placing into the installation space, as the leveling legs may be difficult to adjust once the range is in its final position.

TO PLACE UNIT

- 1 Use tape measure to measure from the floor to the top of the counter top at all four corners of the installation space.
- 2 While range is still positioned outside the installation space, adjust the leveling leg at each corner so that the distance from the floor to the underside of the cooktop edge matches the dimensions measured in the installation space.
- 3 Using two people, move range into its final installation location, being careful not to damage countertops, floor or appliance.

NOTES:

- Do not move unit by pushing or pulling on the door or control panel. Do not lift by the cooktop edges. Push, pull or lift only on the body or structural areas, such as oven, oven face or back corners of range.
- Be careful not to pinch or kink the electrical connections. If unit does not move in smoothly, check for obstructions. Do not attempt to force the unit into position.
- Dampening the countertop where the cooktop overhangs with soapy water may allow the range to slide into position more smoothly.

- The metal flange under each side of the cooktop **MUST** be placed over the cabinet countertop for proper unit support. The cooktop should **NOT** rest directly on the countertop or else it could cause damage to the cooktop voiding the warranty. See Figure 10.

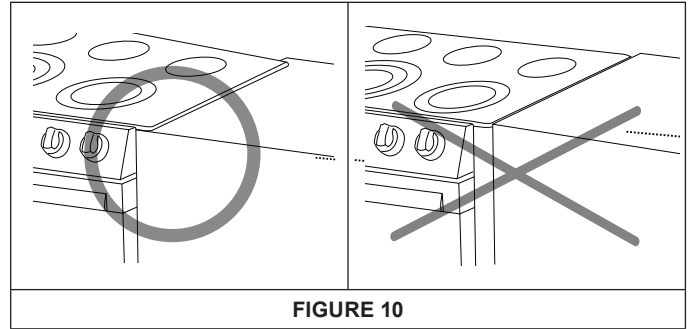


FIGURE 10

- 4 Check to make sure the back leg of the range has engaged properly into the Anti-Tip Bracket. If visual inspection is not possible:
 - Slide range forward.
 - Confirm Anti-Tip Bracket is securely attached to floor or wall in correct position according to installation instructions.
 - Fully slide the range back against the wall so that leveling leg engages with Anti-Tip Bracket.
- 5 To ensure baked goods, such as breads and cakes, come out even and level, confirm that the range is level by placing on the center rack position. Check level both front-to-back and side-to-side. Use adjustable pliers to adjust leveling legs as necessary to level the range.

IMPORTANT: The weight of the product is to be supported by the leveling legs. When adjusting leveling legs, do not adjust so far that the weight of the product is supported by the cooktop resting on the countertop. If countertops are not level, leveling the range may cause one or more corners of the cooktop to not contact the countertop surface. If this occurs, the range can be installed unlevelled to allow the cooktop to contact the entire perimeter. Be advised that this may affect performance for some baked goods. Although not generally recommended, in these cases foam tape rated for 194 °F minimum can be placed around countertop edge to fill the gap caused by leveling. Do not use caulking or other adhesives that would bind the cooktop to the counter.
- 6 Reinstall door, drawer and oven racks.

CONFIRM OPERATION

After the range has been installed and assembled and the electrical power cord has been connected, confirm the operation of all cooktop surfaces.

TO CONFIRM COOKTOP OPERATION

- 1 For each burner, testing one at a time, rotate the knob to the **Hi** position. Confirm the element begins to glow and heat. The Warming Zone will not glow and needs to be operated for several minutes before noticeable heat is produced. For multi-ring elements, confirm each ring heats according to knob graphics.
- 2 Confirm the Hot Cooktop Indicator light illuminates correctly for the heating element test.

TO CONFIRM OVEN OPERATION

- 1 Ensure all packaging is removed and oven is empty except for oven racks. Close oven door.
- 2 Touch **Bake** pad on the control panel. The default temperature is 350 °F. Use the numeric keypad to adjust the temperature setting to 170 °F. Touch **START/ENTER** pad.
- 3 Allow the oven to heat for a few minutes with the door closed. The oven elements turn off when the door is open. Open the oven and, without touching the oven bottom, confirm heat can be felt radiating from the oven bottom.
- 4 Allow Bake mode to operate until the oven has preheated to 170 °F. Confirm the display indicates the temperature increasing and signals when the temperature is reached. Touch **STOP/CLEAR** pad to stop the Bake mode.
- 5 Touch **Broil** pad on the control panel. Touch **START/ENTER** pad.
- 6 Allow the oven to heat for a few minutes. Without touching the broil element, confirm heat can be felt radiating from the broil element. After several minutes, the broil element glows red.
- 7 Touch **STOP/CLEAR** pad to stop Broil mode. If anything does not operate correctly, call for service.

MODEL AND SERIAL NUMBER LOCATION

The model and serial number are needed when contacting customer service and to register the product and order replacement parts. The name plate label contains appliance certification, rating and identification information. It is located inside the storage drawer on either the left or right side panel.

CARE, CLEANING AND MAINTENANCE

Refer to the Operation Manual for cleaning instructions.

BEFORE YOU CALL FOR SERVICE

Read the **BEFORE YOU CALL** and operating instruction sections in your Operation Manual. It may save you time and expense. The list includes common occurrences that are not the result of defective workmanship or materials in this appliance.

Refer to the warranty in your Operation Manual for Sharp's toll-free service number and address. Please call or write if you have inquiries about your slide-in electric range product and/or need to order parts.

SHARP®

SHARP ELECTRONICS CORPORATION • 100 Paragon Drive • Montvale, New Jersey 07645 • USA

1-800-BE-SHARP (1-800-237-4277)