

# SHARP®

## Over-the-Range Microwave Oven: SM01754JS INSTALLATION MANUAL



# Installation Instructions

## CONTENTS

### General information

<b>Important Safety Instructions</b> .....	3
<b>Electrical Requirements</b> .....	3
<b>Damage – Shipment/Installation</b> .....	4
<b>Parts Included</b> .....	4
<b>Tools You Will Need</b> .....	5
<b>Mounting Space</b> .....	5

### Step-by-step installation guide

<b>Placement of The Mounting Plate</b> .....	6–8
Removing the Mounting Plate .....	6
Finding the Wall Studs .....	6
Determining Wall Plate Location .....	7
Aligning the Wall Plate .....	8
<b>Installation Types</b> .....	9–23
Hood Exhaust .....	10–11
<b>A</b> Outside Top Exhaust .....	12–15
Attach Mounting Plate to Wall.....	12
Preparation of Top Cabinet.....	13
Adapting Microwave Blower for Outside top Exhaust .....	13–14
Checking for Proper Damper Operation.....	14
Mount the Microwave Oven .....	14–15
Adjust the Exhaust Adaptor .....	15
Connecting Ductwork.....	15
<b>B</b> Outside Back Exhaust.....	16–19
Preparing Rear Wall for Outside Back Exhaust.....	16
Remove Blower Plate .....	16
Attach Mounting Plate to Wall .....	17
Preparation of Top Cabinet .....	17

Adapting Microwave Blower for Outside Back Exhaust.....	17–18
--	-------

Mount the Microwave Oven .....	19
--------------------------------	----

<b>C</b> Recirculating .....	20–23
------------------------------	-------

Attach Mounting Plate to Wall .....	20
-------------------------------------	----

Preparation of Top Cabinet .....	21
----------------------------------	----

Check Blower Plate .....	21
--------------------------	----

Mount the Microwave Oven .....	21–22
--------------------------------	-------

Installing or Change the Charcoal Filter .....	22
---	----

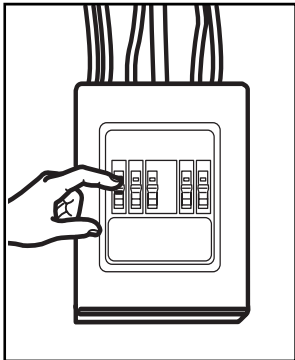
<b>Before You Use Your Microwave</b> .....	24
--	----

<b>Template Information</b> .....	25
-----------------------------------	----

# Installation Instructions

## IMPORTANT SAFETY INSTRUCTIONS

This product requires a three-prong grounded outlet. The installer must perform a ground continuity check on the power outlet box before beginning the installation to ensure that the outlet box is properly grounded. If not properly grounded, or if the outlet box does not meet electrical requirements noted (under ELECTRICAL REQUIREMENTS), a qualified electrician should be employed to correct any deficiencies.



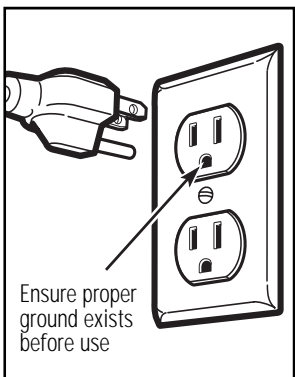
**CAUTION:** For personal safety, remove house fuse or open circuit breaker before beginning installation to avoid severe or fatal shock injury.

**CAUTION:** For personal safety, the mounting surface must be capable of supporting the cabinet load, in addition to the added weight of this 63–85 pound (28.5–38.5 kg) product, plus additional oven loads of up to 50 pounds (22.7 kg) or a total weight of 113–135 pounds (51.3–61.2 kg).

**CAUTION:** For personal safety, this product cannot be installed in cabinet arrangements such as an island or a peninsula. It must be mounted to BOTH a top cabinet AND a wall.

**NOTE:** For easier installation and personal safety, it is recommended that two people install this product.

**IMPORTANT – PLEASE READ CAREFULLY. FOR PERSONAL SAFETY, THIS APPLIANCE MUST BE PROPERLY GROUNDED TO AVOID SEVERE OR FATAL SHOCK.**



The power cord of this appliance is equipped with a three-prong (grounding) plug which mates with a standard three-prong (grounding) wall receptacle to minimize the possibility of electric shock hazard from this appliance.

Ensure proper ground exists before use

**You should have the wall receptacle and circuit checked by a qualified electrician to make sure the receptacle is properly grounded.**

**Where a standard two-prong wall receptacle is encountered, it is very important to have it replaced with a properly grounded three-prong wall receptacle, installed by a qualified electrician.**

**DO NOT, UNDER ANY CIRCUMSTANCES, CUT, DEFORM OR REMOVE ANY OF THE PRONGS FROM THE POWER CORD. DO NOT USE WITH AN EXTENSION CORD.**

## ELECTRICAL REQUIREMENTS

Product rating is 120 volts AC, 60 Hertz, 15 amps and 1.6 kilowatts. This product must be connected to a separate and dedicated supply circuit of the proper voltage and frequency. Wire size must conform to the requirements of the National Electrical Code or the prevailing local code for this kilowatt rating. The power supply cord and plug should be brought to a separate and dedicated 20 ampere branch circuit single grounded outlet. The outlet box should be located in the cabinet above the microwave oven. The outlet box and supply circuit should be installed by a qualified electrician and conform to the National Electrical Code or the prevailing local code.


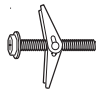


# Installation Instructions

## DAMAGE—SHIPMENT INSTALLATION

- If the unit is damaged in shipment, return the unit to the store in which it was bought for repair or replacement.
- If the unit is damaged by the customer, repair or replacement is the responsibility of the customer.
- If the unit is damaged by the installer (if other than the customer), repair or replacement must be made by arrangement between customer and installer.

## PARTS INCLUDED

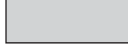



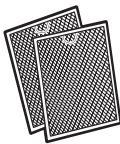
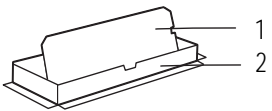
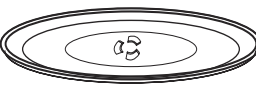

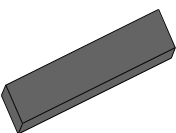
### HARDWARE PACKET (9KL1297000000429)

PART		QUANTITY
	Wood Screws (1/4" x 2")	2
	Toggle Bolts (and wing nuts) (3/16" x 3")	2
	Self-Aligning Machine Screws (1/4" -28 x 3/4")	3
	Nylon Grommet (for metal cabinets)	1

You will find the installation hardware contained in a packet with the unit. Check to make sure you have all these parts.

**NOTE:** Some extra parts are included.

## PARTS INCLUDED (CONT.) ADDITIONAL PARTS

PART		QUANTITY
	Top Cabinet Template	1
9KL16170000A90425		
	Rear Wall Template	1
9KL16170000A90423		
	Installation Instructions	1
		
Installation Manual : 9KL16170000A97527 Use & Care manual : 9KL16170000A97526	Use & Care Manual	1
	Separately Packed Grease Filters	4
9KL12270000008300		
	Exhaust Adapter	1
1: 9KL12270000008424 2: 9KL12270000003545		
	Glass Tray	1
9KL12570000001005		
	Turntable Ring	1
9KL12170000004327		
	CHARCOAL FILTER	2
9KL12270000008304		

# Installation Instructions

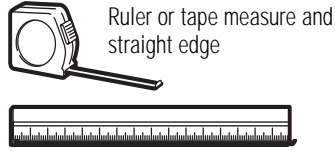
## TOOLS YOU WILL NEED



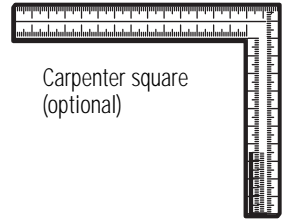
# 2 Phillips screwdriver



Pencil



Ruler or tape measure and straight edge



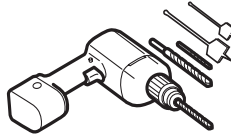
Carpenter square (optional)



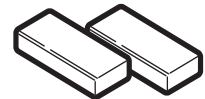
Tin snips (for cutting damper, if required)



Scissors (to cut template, if necessary)



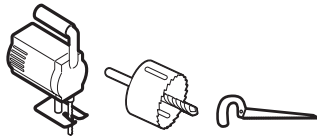
Electric drill with  $\frac{3}{16}$ " ,  $\frac{1}{2}$ " and  $\frac{5}{8}$ " drill bits



Filler blocks or scrap wood pieces, if needed for top cabinet spacing (used on recessed bottom cabinet installations only)



Gloves



Saw (saber, hole or keyhole)



Stud finder or Hammer (optional)



Safety goggles

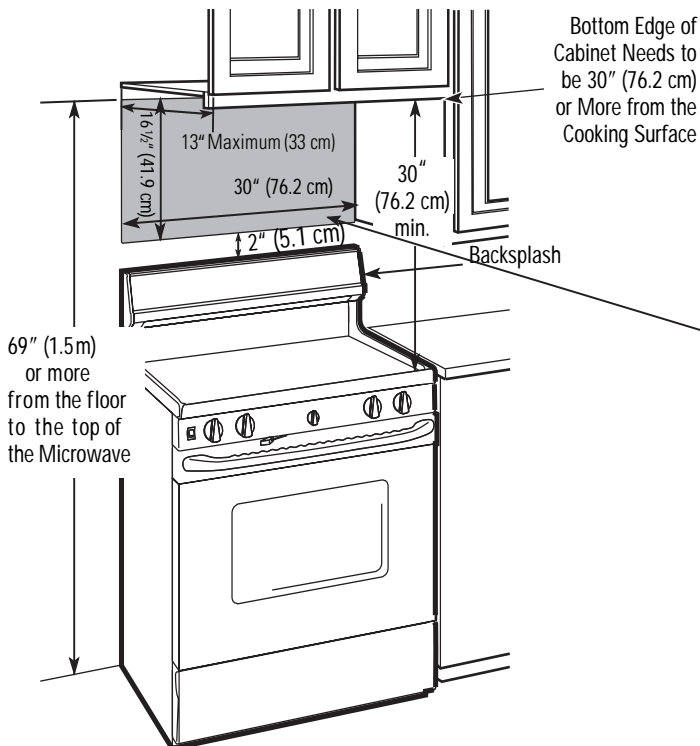


Level



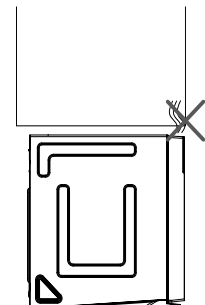
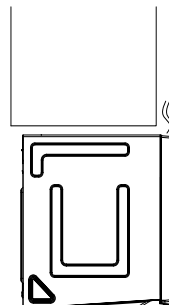
Duct and masking tape

## MOUNTING SPACE



### NOTES:

- The space between the cabinets must be 30" (76.2 cm) wide and free of obstructions.
- If you are going to vent your microwave oven to the outside, see Hood Exhaust Section for exhaust duct preparation.
- When installing the microwave oven beneath smooth, flat cabinets, be careful to follow the instructions on the top cabinet template for power cord clearance.
- As a guide to installation, see page 25 for Mounting Template Information.
- If the cabinet depth including the cabinet doors is more than 13" then the unit must be spaced out from wall using adequate materials supporting 150 lbs to allow proper top vent air exhaust/intake.

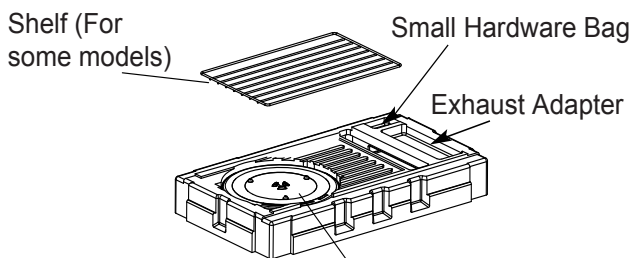


# Installation Instructions

## 1 PLACEMENT OF THE MOUNTING PLATE

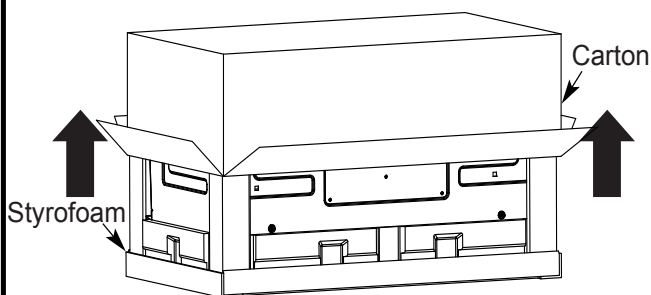
### A. REMOVING THE MICROWAVE OVEN FROM THE CARTON/ REMOVING THE MOUNTING PLATE

- 1 Remove the top cover board, installation instructions, use and care, exhaust adapter, turntable ring, shelf, filters, glass tray and the small hardware bag. Do not remove the Styrofoam protecting the front of the oven.



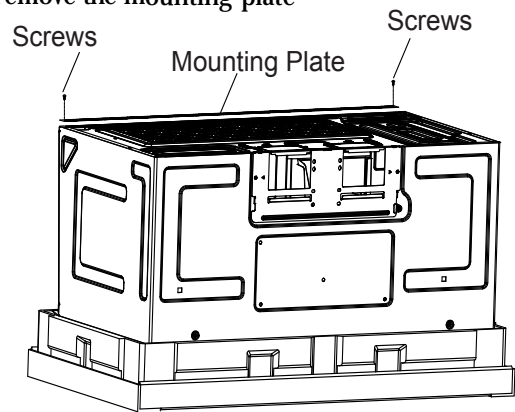
Filters and Turntable Ring below glass tray

- 2 Fold back all 4 carton flaps fully against carton sides. Then carefully roll the oven and carton over onto the top side. The oven should be resting in the Styrofoam.



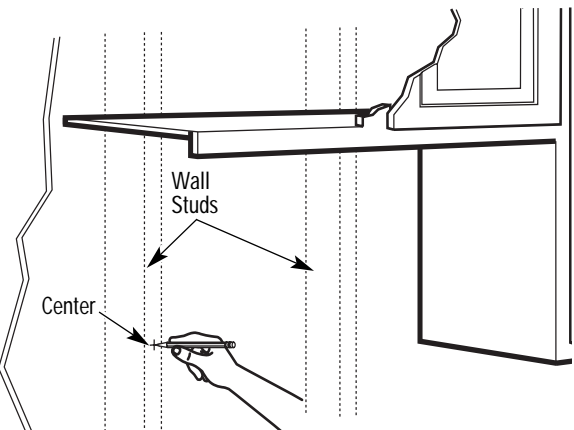
- 3 Pull the carton up and off the oven.

- 4 Cut the middle of the outer protective plastic bag to remove the mounting plate



- 5 Remove the screws from each end of the mounting plate. This plate will be used as the rear wall template and for mounting. Reinstall the screws into the holes where they were removed.

### B. FINDING THE WALL STUDS



- 1 Find the studs, using one of the following methods:

- A. Stud finder – a magnetic device which locates nails.
- B. Use a hammer to tap lightly across the mounting surface to find a solid sound. This will indicate a stud location.

- 2 After locating the stud(s), find the center by probing the wall with a small nail to find the edges of the stud. Then place a mark halfway between the edges. The center of any adjacent studs should be 16" (40.6 cm) or 24" (61 cm) from this mark.

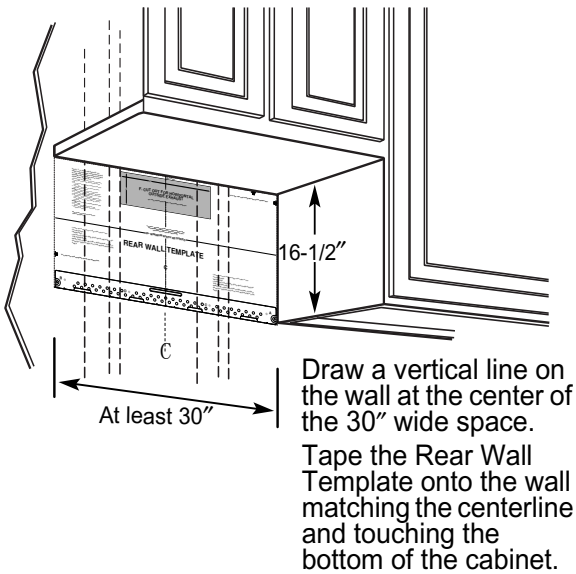
- 3 Draw a line down the center of the studs.

**THE MICROWAVE MUST BE CONNECTED TO AT LEAST ONE WALL STUD.**

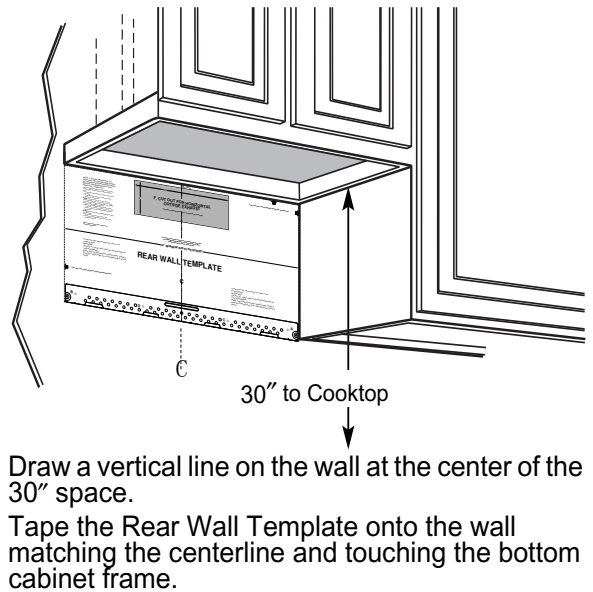
# Installation Instructions

## C. DETERMINING WALL PLATE LOCATION UNDER YOUR CABINET

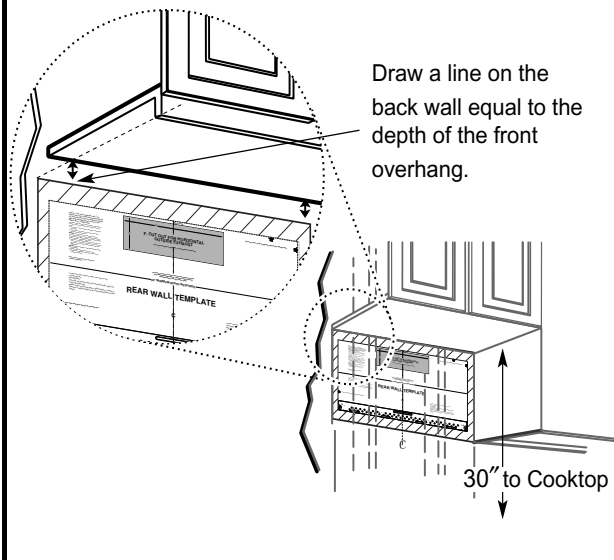
### Plate position-beneath flat bottom cabinet



### Plate position-beneath framed recessed cabinet bottom



### Plate position-beneath recessed bottom cabinet with front overhang



Your cabinets may have decorative trim that interferes with the microwave installation. Remove the decorative trim to install the microwave properly and to make it level.

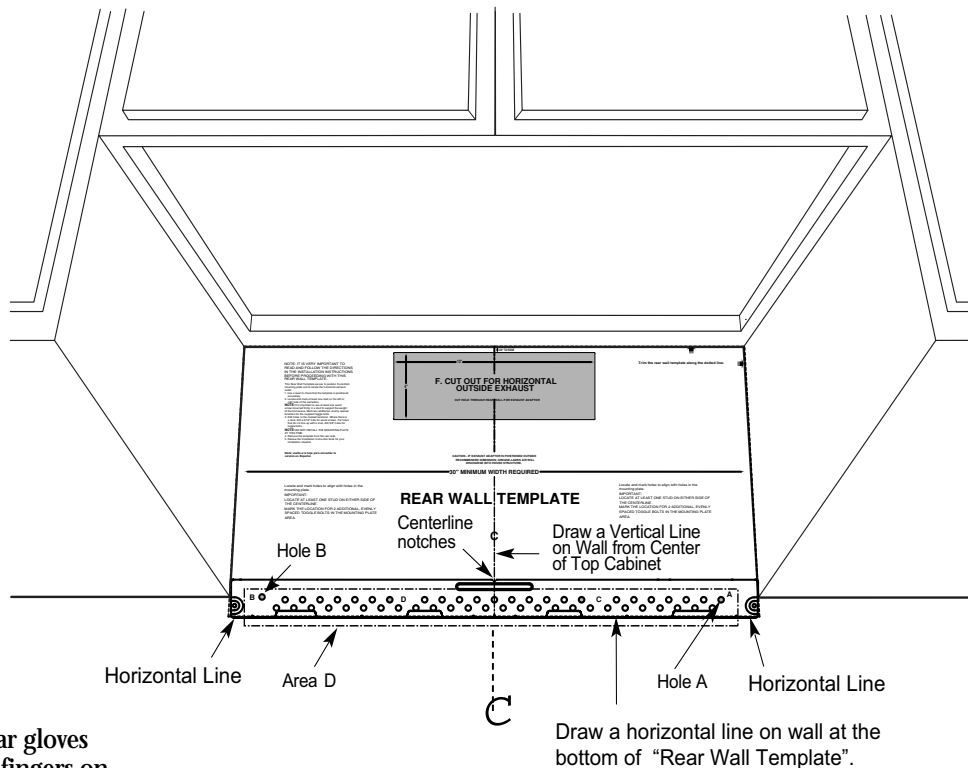
### THE MICROWAVE MUST BE LEVEL.

Use a level to make sure the cabinet bottom is level. If the cabinets have a front overhang only, with no back or side frame, install the mounting plate down the same distance as the front overhang depth. This will keep the microwave level.

- 1 Measure the inside depth of the front overhang.
- 2 Draw a horizontal line on the back wall an equal distance below the cabinet bottom as the inside depth of the front overhang.
- 3 For this type of installation with front overhang only, align the rear template with this horizontal line, not touching the cabinet bottom as described in Step D.

# Installation Instructions

## D. ALIGNING THE WALL PLATE



**CAUTION:** Wear gloves to avoid cutting fingers on sharp edges.

- 1 Draw a vertical line on the wall at the center of the 30" wide space.
- 2 Draw a horizontal line on the wall at the bottom of "Rear Wall Template".
- 3 Find a wall stud in area "D" of mounting plate Refer to section 1B. Finding the wall studs.
- 4 For attaching the mounting plate into stud drill a 3/16" hole into wood stud. Drill a 5/8" hole for toggle bolt in 2 other locations at or as close to both hole A and B as possible.

**NOTE: DO NOT MOUNT THE PLATE AT THIS TIME.**

**NOTE:** For proper installation, holes A and B should be used.

If Holes A and B are not in a stud, find a stud somewhere in area D, C and draw a circle to line up with the stud. It is important to have **at least one wood screw** mounted **firmly in a stud** to support the weight of the microwave. **Set the mounting plate aside.**



# Installation Instructions

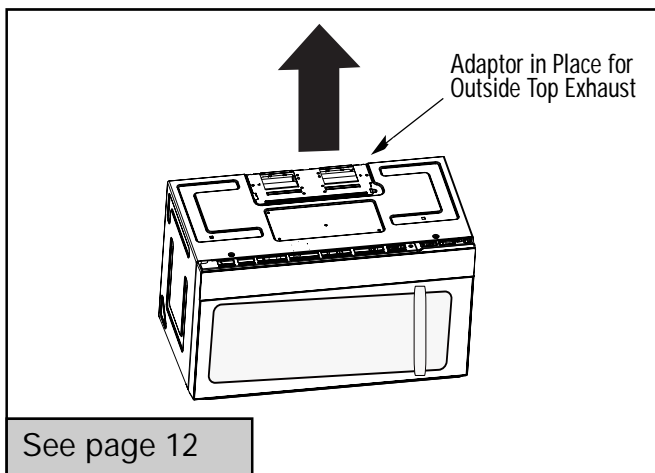
## 2 INSTALLATION TYPES (Choose A, B or C)

This microwave oven is designed for adaptation to the following three types of ventilation:

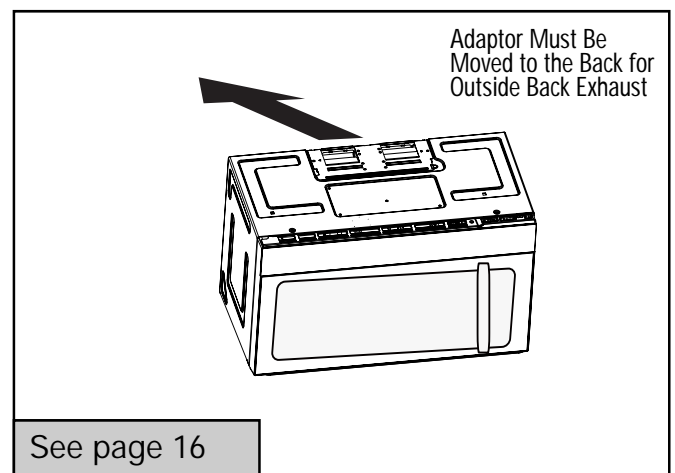
- A. Outside Top Exhaust (Vertical Duct)
- B. Outside Back Exhaust (Horizontal Duct)
- C. Recirculating (Non-Vented Ductless)

**NOTE:** This microwave is shipped assembled for Recirculating. Select the type of ventilation required for your installation and proceed to that section.

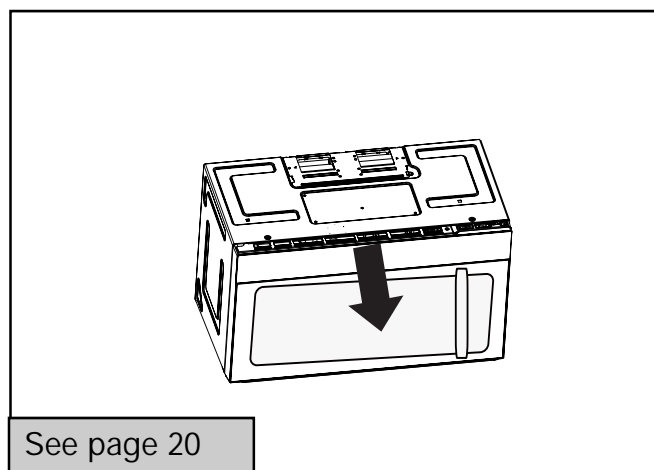
### A OUTSIDE TOP EXHAUST (VERTICAL DUCT)



### B OUTSIDE BACK EXHAUST (HORIZONTAL DUCT)



### C RECIRCULATING (NON-VENTED DUCTLESS)



Models are shipped for recirculating exhaust. These models have a disposable charcoal filter installed to help remove smoke and odors.

**NOTE:** Read the next two pages only if you plan to vent your exhaust to the outside. If you plan to recirculate the air back into the room, proceed to page 20.

# Installation Instructions

## INSTALLATION INSTRUCTIONS FOR EXTERNAL EXHAUST DUCTING

**NOTE:** If you need to install ducts, note that the total duct length of 3/4" x 10" (8.2 x 25.4 cm) rectangular or 5" (12.7 cm) diameter/ 6" (15.2 cm) diameter round duct **should not exceed 120 equivalent feet (36.5 m).**

Outside ventilation requires an EXTERNAL EXHAUST DUCT. Read the following carefully.

**NOTE:** It is important that venting be installed using the most direct route and with as few elbows as possible. This ensures clear venting of exhaust and helps prevent blockages. **Also, make sure dampers swing freely and nothing is blocking the ducts.**

### Exhaust connection:





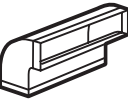
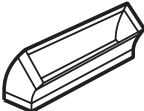
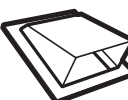

The exhaust adaptor has been designed to mate with a standard 3/4" x 10" (8.2 x 25.4 cm) rectangular duct.

If a round duct is required, a rectangular-to-round transition adaptor must be used. **A 5" (12.7cm) / 6" (15.2cm) diameter duct is acceptable to use.**

### Maximum duct length:

For satisfactory air movement, the total duct length of 3/4" x 10" (8.2 x 25.4 cm) rectangular or 5" (12.7 cm) diameter/ 6" (15.2 cm) diameter round duct **should not exceed 120 equivalent feet (36.5 m).**

**Elbows, transitions, wall and roof caps, etc.,** present additional resistance to airflow and are equivalent to a section of straight duct which is longer than their actual physical size. When calculating the total duct length, add the equivalent lengths of all transitions and adaptors plus the length of all straight duct sections. The chart below shows you how to calculate total equivalent ductwork length using the approximate feet of equivalent length of some typical ducts.

DUCT PIECES	EQUIVALENT LENGTH	x	NUMBER USED	=	EQUIVALENT LENGTH	
 Rectangular-to-Round Transition Adaptor*	5 Ft. (1.5 m)	x	( )	=	Ft. or m	
 Wall Cap	40 Ft. (12.2 m)	x	( )	=	Ft. or m	
 90° Elbow	10 Ft. (3 m)	x	( )	=	Ft. or m	
 45° Elbow	5 Ft. (1.5 m)	x	( )	=	Ft. or m	
 90° Elbow	25 Ft. (7.6 m)	x	( )	=	Ft. or m	
 45° Elbow	5 Ft. (1.5 m)	x	( )	=	Ft. or m	
 Roof Cap	24 Ft. (7.3 m)	x	( )	=	Ft. or m	
 Straight Duct 6" (15.2 cm) Round or 3/4" x 10" (8.2 x 25.4 cm Rectangular)	1 Ft. (0.3 m)	x	( )	=	Ft. or m	
<b>Total Ductwork</b>					<b>=</b>	<b>Ft. or m</b>



\* **IMPORTANT:** If a rectangular-to-round transition adaptor is used, the bottom corners of the damper will have to be cut to fit, using the tin snips, in order to allow free movement of the damper.

Equivalent lengths of duct pieces are based on actual tests and reflect requirements for good venting performance with any vent hood.

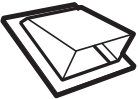


# Installation Instructions

## EXTERNAL EXHAUST DUCTING

### OUTSIDE TOP EXHAUST (EXAMPLE ONLY)

The following chart describes an example of one possible ductwork installation.

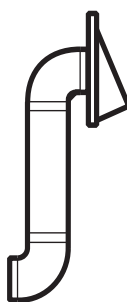


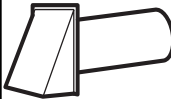


DUCT PIECES		EQUIVALENT LENGTH	x	NUMBER USED	=	EQUIVALENT LENGTH	
	Roof Cap	24 Ft. (7.3 m)	x	(1)	=	24 Ft. (7.3 m)	
	12 Ft. (3.6 m) Straight Duct (6"/15.2 cm Round)	12 Ft. (3.6 m)	x	(1)	=	12 Ft. (3.6 m)	
	Rectangular-to-Round Transition Adaptor*	5 Ft. (1.5 m)	x	(1)	=	5 Ft. (1.5 m)	
Equivalent lengths of duct pieces are based on actual tests and reflect requirements for good venting performance with any vent hood.					<b>Total Length</b>	<b>=</b>	<b>41 Ft. (12.4 m)</b>

\* **IMPORTANT:** If a rectangular-to-round transition adaptor is used, the bottom corners of the damper will have to be cut to fit, using the tin snips, in order to allow free movement of the damper.

### OUTSIDE BACK EXHAUST (EXAMPLE ONLY)

The following chart describes an example of one possible ductwork installation.



DUCT PIECES		EQUIVALENT LENGTH*	x	NUMBER USED	=	EQUIVALENT LENGTH	
	Wall Cap	40 Ft. (12.2 m)	x	(1)	=	40 Ft. (12.2 m)	
	3 Ft. Straight Duct (3¼" x 10"/8.2 x 25.4 cm Rectangular)	3 Ft. (0.9 m)	x	(1)	=	3 Ft. (0.9 m)	
	90° Elbow	10 Ft. (3 m)	x	(2)	=	20 Ft. (6 m)	
Equivalent lengths of duct pieces are based on actual tests and reflect requirements for good venting performance with any vent hood.					<b>Total Length</b>	<b>=</b>	<b>63 Ft. (19.1 m)</b>

**NOTE:** For back exhaust, care should be taken to align exhaust with space between studs, or wall should be prepared at the time it is constructed by leaving enough space between the wall studs to accommodate exhaust.

# Installation Instructions

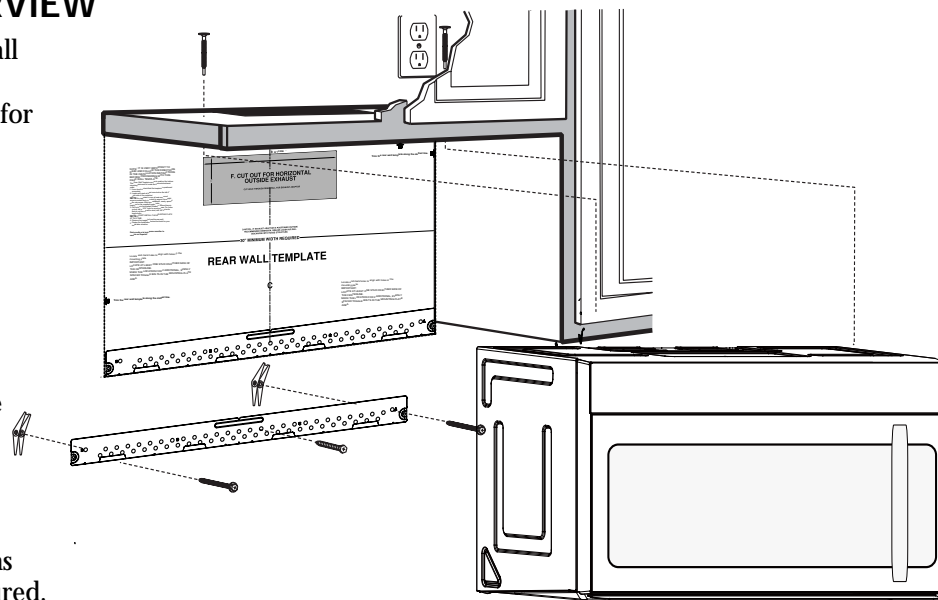
## A OUTSIDE TOP EXHAUST (Vertical Duct)

### INSTALLATION OVERVIEW

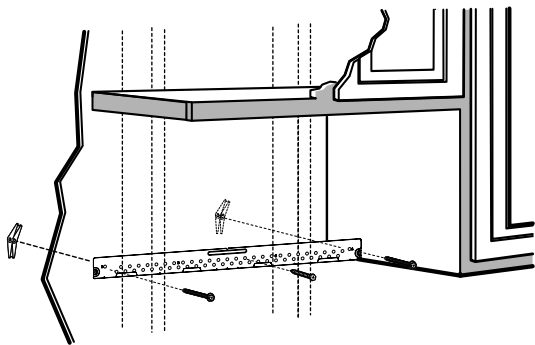
- A1. Attach Mounting Plate to Wall
- A2. Prepare Top Cabinet
- A3. Adapting Microwave Blower for Outside Top Exhaust
- A4. Check Damper Operation
- A5. Mount Microwave Oven
- A6. Adjust Exhaust Adaptor
- A7. Connect Ductwork

#### IMPORTANT NOTES:

- Make sure the screws for the blower motor and blower plate are securely tightened when they are reinstalled. This will help to prevent excessive vibration.
- Make sure the motor wiring has been properly routed and secured, and that the wires are not pinched.



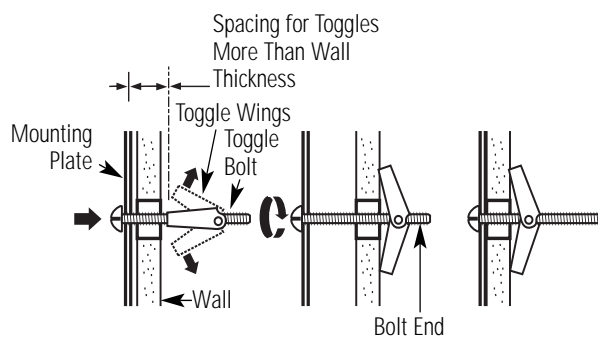
### A1. ATTACH THE MOUNTING PLATE TO THE WALL



Attach the plate to the wall using toggle bolts. At least one wood screw must be used to attach the plate to a wall stud.

- 1 Remove the toggle wings from the bolts.
- 2 Insert the bolts into the mounting plate through the holes designated to go into drywall and reattach the toggle wings to  $\frac{3}{4}$ " (19 mm) onto each bolt.

#### To use toggle bolts:



- 3 Place the mounting plate against the wall and insert the toggle wings into the holes in the wall to mount the plate.

**NOTE:** Before tightening toggle bolts and wood screw, make sure the bottom of the mounting plate touch the bottom of the Rear wall template when pushed flush against the wall and that the plate is properly centered under the cabinet.

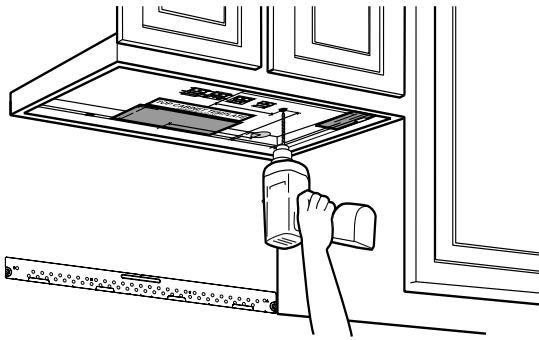
**CAUTION:** Be careful to avoid pinching fingers between the back of the mounting plate and the wall.

- 4 Tighten all bolts. Pull the plate away from the wall to help tighten the bolts.

# Installation Instructions

## A2. USE TOP CABINET TEMPLATE FOR PREPARATION OF TOP CABINET

You need to drill holes for the top support screws, a hole large enough for the power cord to fit through, and a cutout large enough for the exhaust adaptor.

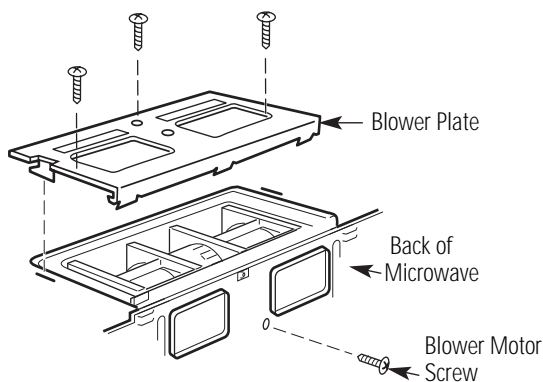


- Read the instructions on the TOP CABINET TEMPLATE.
- Tape it underneath the top cabinet.
- Drill the holes, following the instructions on the TOP CABINET TEMPLATE.

**CAUTION:** Wear safety goggles when drilling holes in the cabinet bottom.

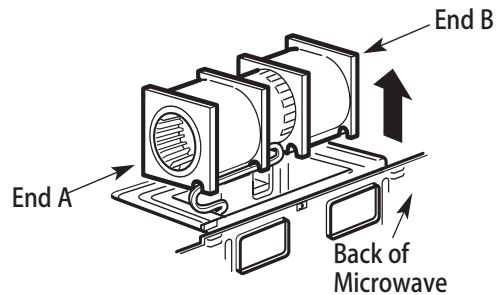
## A3. ADAPTING MICROWAVE BLOWER FOR OUTSIDE TOP EXHAUST

- 1 Place the microwave in its upright position, with the top of the unit facing up.



Remove the screw that holds the blower plate to the microwave. Remove and save the screw holding the blower motor to the microwave.

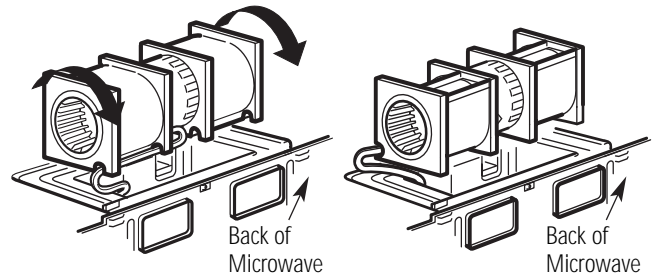
- 2 Carefully pull out the blower unit. The wires will extend far enough to allow you to adjust the blower unit.



- 3 Roll the blower unit 90° so that fan blade openings are facing out the top of the microwave.

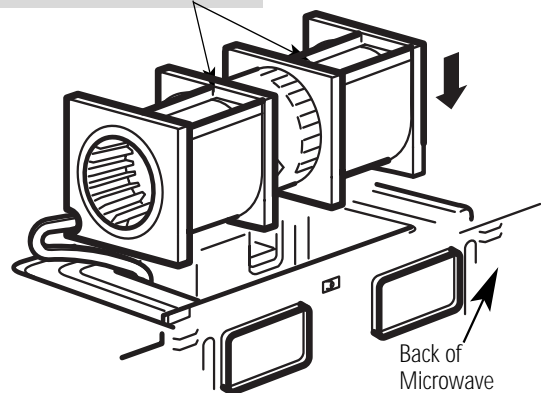
Before Rotation

After Rotation



- 4 Place the blower unit back into the opening.

**AFTER:** Fan Blade Openings Facing Top

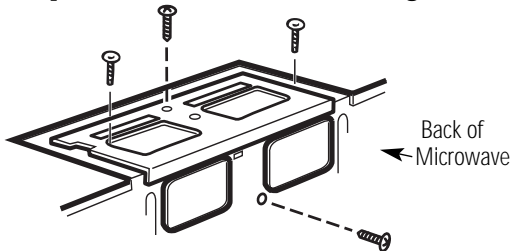


**CAUTION:** Do not pull or stretch the blower unit wiring. Make sure the wires are not pinched, and that they are properly secured.

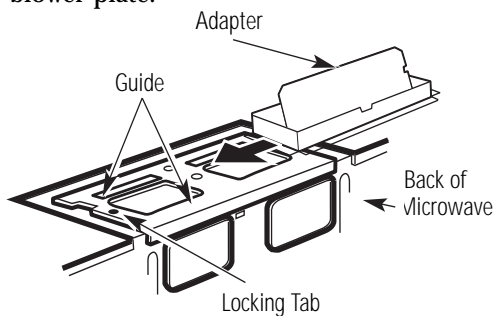
# Installation Instructions

## A3. ADAPTING MICROWAVE BLOWER FOR OUTSIDE TOP EXHAUST

- Secure blower unit to microwave with the screw removed in Step 1. Make sure the screw is tight.
- Replace blower plate with the screws removed in Step 1. Make sure the screws are tight.

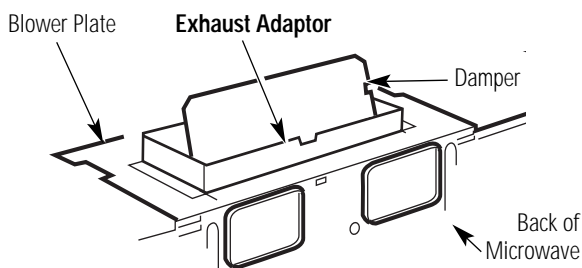


- Attach the exhaust adaptor to the top of the blower plate by sliding it into the guides of the blower plate.



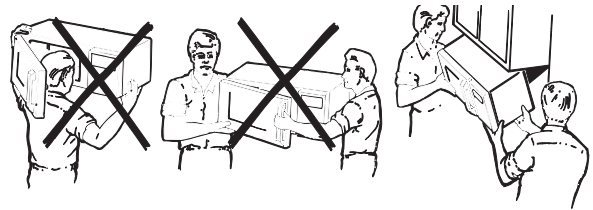
Push in securely until it is in the locking tabs. Take care to assure that the damper hinge is installed so that the damper swings freely.

## A4. CHECK FOR PROPER DAMPER OPERATION



- Make sure tape securing damper is removed and damper pivots easily before mounting microwave.
- You will need to make adjustments to assure proper alignment with your house exhaust duct after the microwave is installed.

## A5. MOUNT THE MICROWAVE OVEN



FOR EASIER INSTALLATION AND PERSONAL SAFETY, WE RECOMMEND THAT **TWO PEOPLE** INSTALL THIS MICROWAVE OVEN.

**IMPORTANT: Do not grip or use the handle or heat shield during installation. Do not remove the cardboard spacers between the heat shield and door.**

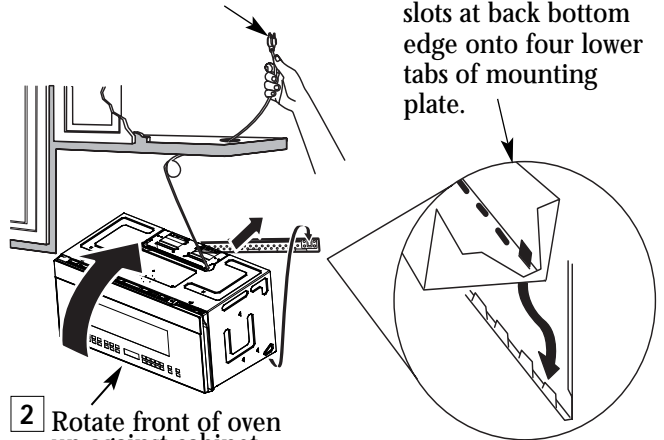
**NOTE:** If your cabinet is metal, use the nylon grommet around the power cord hole to prevent cutting of the cord.

**NOTE:** We recommend using filler blocks if the cabinet front hangs below the cabinet bottom shelf.

**IMPORTANT: If filler blocks are not used, case damage may occur from overtightening screws.**

**NOTE:** When mounting the microwave oven, thread power cord through hole in bottom of top cabinet. Keep it tight throughout Steps 1-3. Do not pinch cord or lift oven by pulling cord.

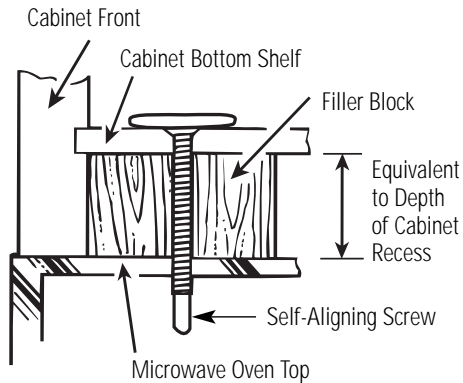
- Lift microwave, tilt it forward, and hook slots at back bottom edge onto four lower tabs of mounting plate.



- Rotate front of oven up against cabinet bottom.
- Insert a self-aligning screw through one of the top cabinet holes. Temporarily secure the oven by turning the screw at least **two full turns** after the threads have engaged. (It will be completely tightened later.) **Be sure to keep power cord tight. Be careful not to pinch the cord, especially when mounting flush to bottom of cabinet.**

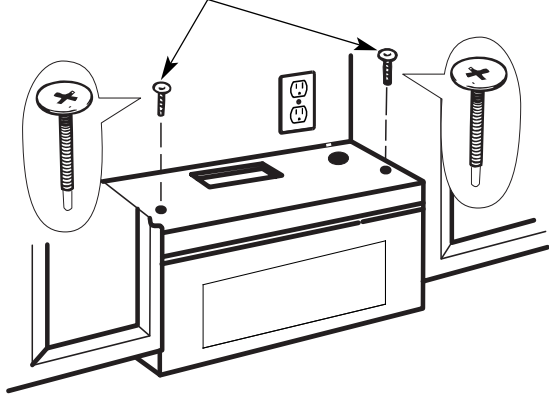
# Installation Instructions

## A5. MOUNT THE MICROWAVE OVEN (cont.)

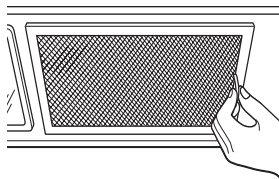


**4** Attach the microwave oven to the top cabinet.

- 5** Insert 2nd self aligning screw through remaining top cabinet hole.  
Turn two full turns on screw.



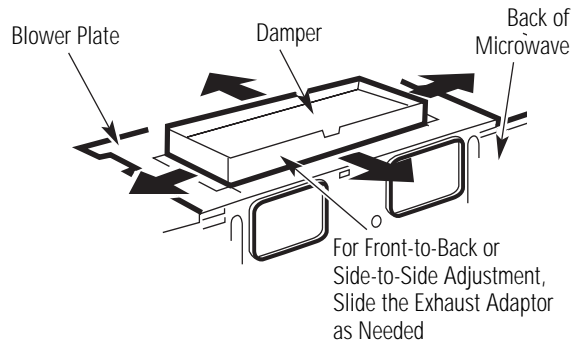
**7** Tighten the outer two screws to the top of the microwave oven. (While tightening screws, hold the microwave oven in place against the wall and the top cabinet.)



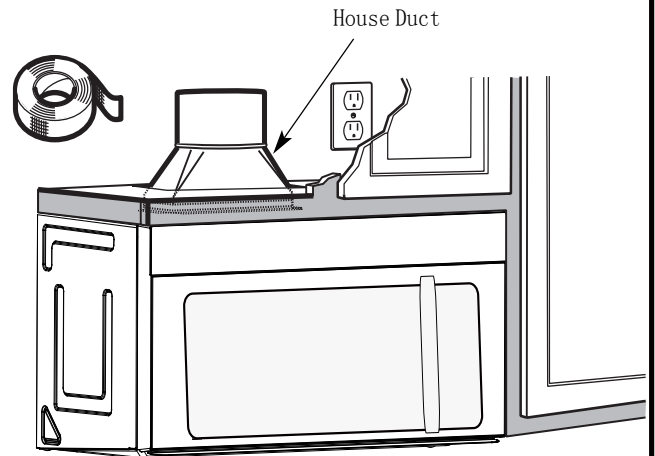
**8** Install grease filters. See the Use and Care packed with the microwave.

## A6. ADJUST THE EXHAUST ADAPTOR

Open the top cabinet and adjust the exhaust adaptor to connect to the house duct.



## A7. CONNECTING DUCTWORK



- 1** Extend the house duct down to connect to the exhaust adaptor.
- 2** Seal exhaust duct joints using furnace duct tape for high temperature applications.

# Installation Instructions

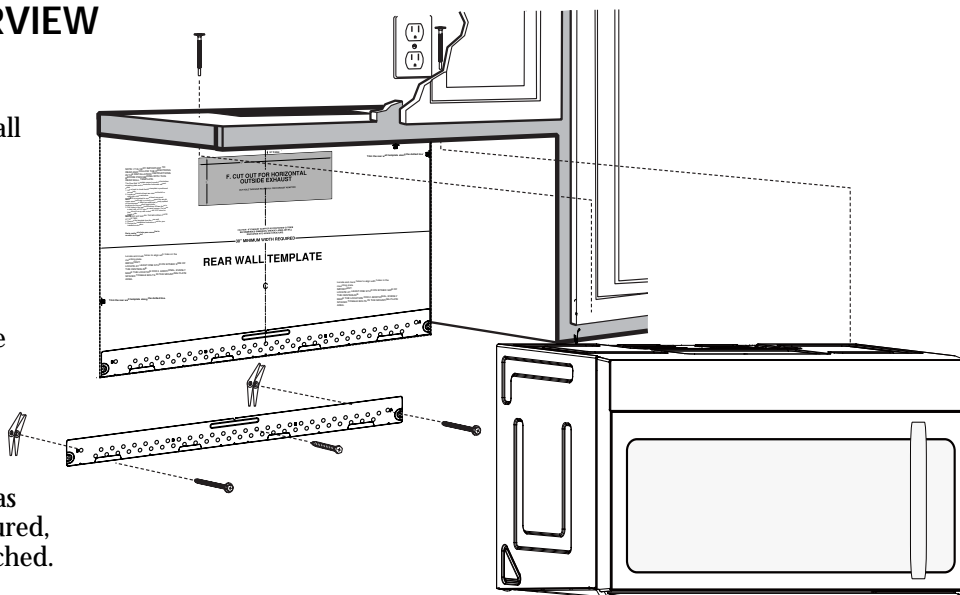
## B OUTSIDE BACK EXHAUST (Horizontal Duct)

### INSTALLATION OVERVIEW

- B1.** Prepare Rear Wall
- B2.** Remove Blower Plate
- B3.** Attach Mounting Plate to Wall
- B4.** Prepare Top Cabinet
- B5.** Adjust Blower
- B6.** Mount the Microwave Oven

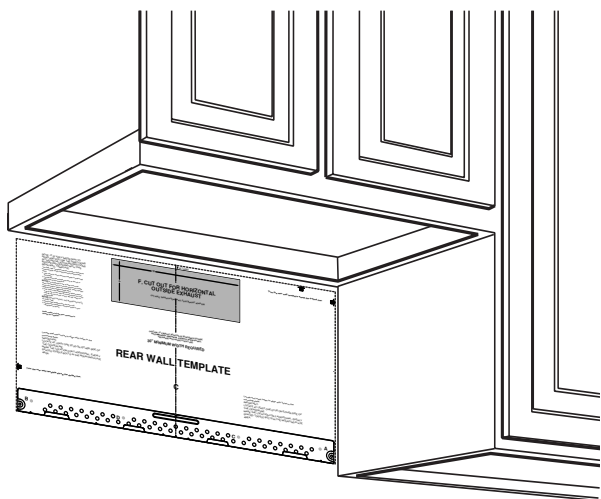
#### IMPORTANT NOTES:

- Make sure the screws for the blower motor and blower plate are securely tightened when they are reinstalled. This will help to prevent excessive vibration.
- Make sure the motor wiring has been properly routed and secured, and that the wires are not pinched.



### B1. PREPARING THE REAR WALL FOR OUTSIDE BACK EXHAUST

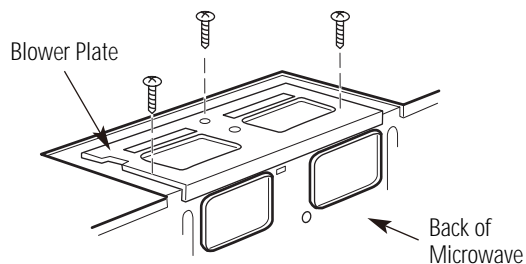
You need to cut an opening in the rear wall for outside exhaust.



- Read the instructions on the REAR WALL TEMPLATE.
- Tape it to the rear wall.
- Cut the opening, following the instructions of the REAR WALL TEMPLATE.

### B2. REMOVE BLOWER PLATE

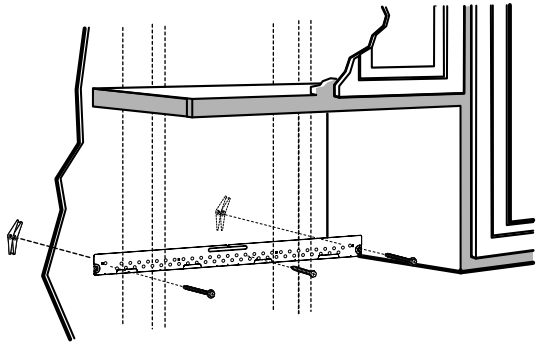
Remove and save the screw that holds the blower plate to the microwave. Lift off the blower plate.





# Installation Instructions

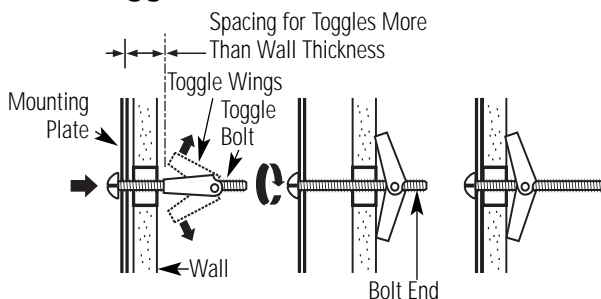
## B3. ATTACH THE MOUNTING PLATE TO THE WALL



Attach the plate to the wall using toggle bolts. At least one wood screw must be used to attach the plate to a wall stud.

- 1 Remove the toggle wings from the bolts.
- 2 Insert the bolts into the mounting plate through the holes designated to go into drywall and reattach the toggle wings to  $\frac{3}{4}$ " (19 mm) onto each bolt.

### To use toggle bolts:



- 3 Place the mounting plate against the wall and insert the toggle wings into the holes in the wall to mount the plate.

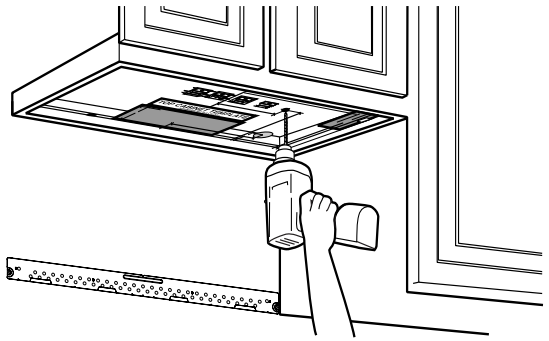
**NOTE:** Before tightening toggle bolts and wood screw, make sure the bottom of the mounting plate touch the bottom of the rear wall template when pushed flush against the wall and that the plate is properly centered under the cabinet.

**CAUTION:** Be careful to avoid pinching fingers between the back of the mounting plate and the wall.

- 4 Tighten all bolts. Pull the plate away from the wall to help tighten the bolts.

## B4. USE TOP CABINET TEMPLATE FOR PREPARATION OF TOP CABINET

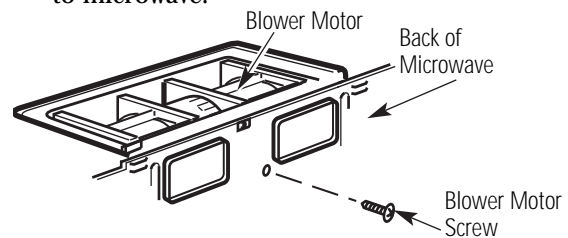
You need to drill holes for the top support screws and a hole large enough for the power cord to fit through.



- Read the instructions on the TOP CABINET TEMPLATE.
  - Tape it underneath the top cabinet.
  - Drill the holes, following the instructions on the TOP CABINET TEMPLATE.
- CAUTION:** Wear safety goggles when drilling holes in the cabinet bottom.

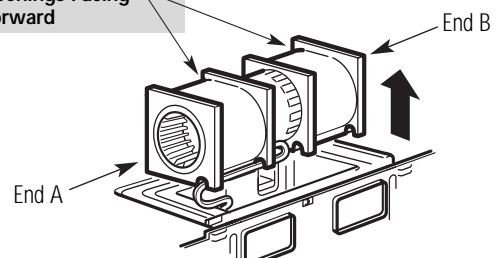
## B5. ADAPTING MICROWAVE BLOWER FOR OUTSIDE BACK EXHAUST

- 1 Remove and save screw that holds blower motor to microwave.



- 2 Carefully pull out the blower unit. The wires will extend far enough to allow you to adjust the blower unit.

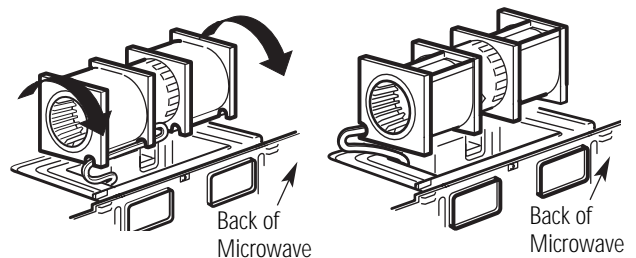
Before: Fan Blade Openings Facing Forward



- 3 Roll the blower unit 90°

Before Rotation

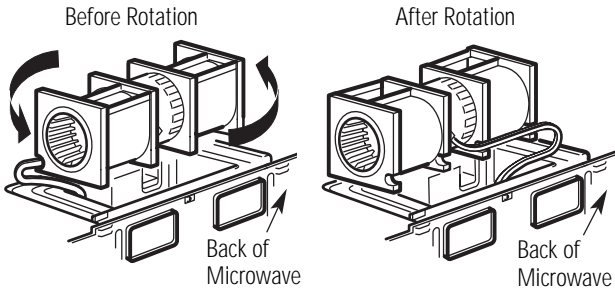
After Rotation



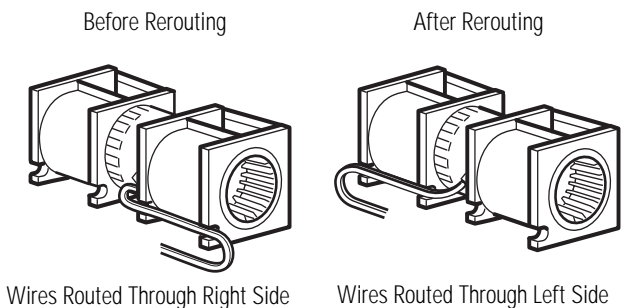
# Installation Instructions

## B5. ADAPTING MICROWAVE BLOWER FOR OUTSIDE BACK EXHAUST (cont.)

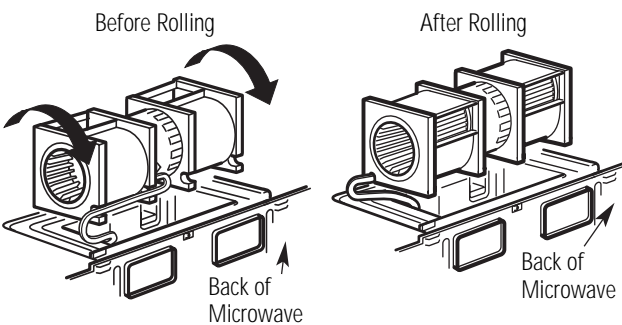
- 4 Rotate blower unit counterclockwise 180°.



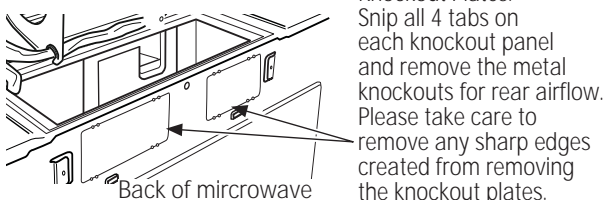
- 5 Gently remove the wires from the grooves. Reroute the wires through grooves on other side of the blower unit.



- 6 Roll the blower unit 90° so that fan blade openings are facing out the back of the microwave.

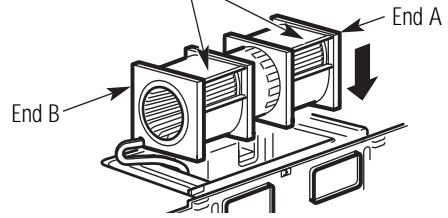


- 7 Remove the knockout plates in the back of the unit with snips. (For some models)



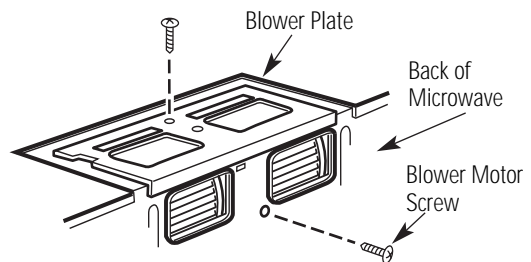
- 8 Place the blower unit back into the opening.

AFTER: Fan Blade Openings Facing Back



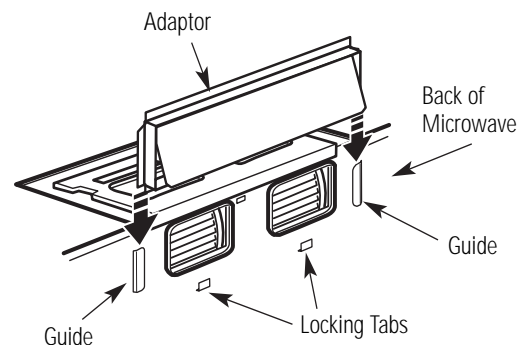
**CAUTION:** Do not pull or stretch the blower unit wiring. Make sure the wires are not pinched, and that they are properly secured.  
**NOTE:** The blower unit exhaust openings should match exhaust openings on rear of microwave oven.

- 9 Secure the blower unit to the microwave with the original screws.



- 10 Replace the blower plate in the same position as before with the screws is tight.

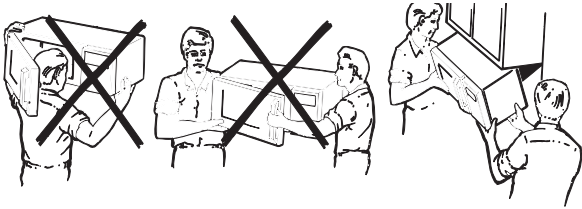
- 11 Attach the exhaust adaptor to the rear of the oven by sliding it into the guides at the top center of the back of the oven.



Push in securely until it is in the lower locking tabs. Take care to assure that the damper hinge is installed so that it is at the top and that the damper swings freely.

# Installation Instructions

## B6. MOUNT THE MICROWAVE OVEN



FOR EASIER INSTALLATION AND PERSONAL SAFETY, WE RECOMMEND THAT **TWO PEOPLE** INSTALL THIS MICROWAVE OVEN.

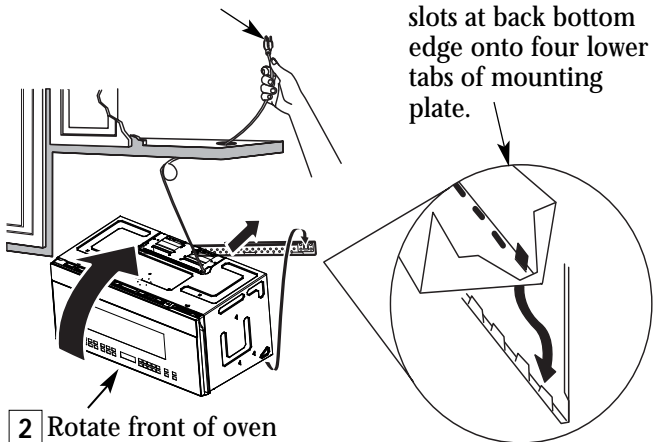
**IMPORTANT: Do not grip or use the handle or heat shield during installation. Do not remove the cardboard spacers between the heat shield and door.**

**NOTE:** If your cabinet is metal, use the nylon grommet around the power cord hole to prevent cutting of the cord.

**NOTE:** We recommend using filler blocks if the cabinet front hangs below the cabinet bottom shelf.

**IMPORTANT: If filler blocks are not used, case damage may occur from overtightening screws.**

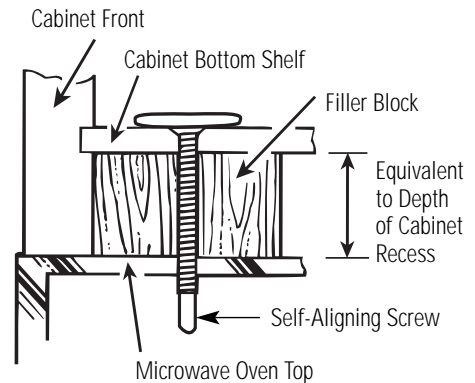
**NOTE:** When mounting the microwave oven, thread power cord through hole in bottom of top cabinet. Keep it tight throughout Steps 1-3. Do not pinch cord or lift oven by pulling cord.



- 1 Lift microwave, tilt it forward, and hook slots at back bottom edge onto four lower tabs of mounting plate.

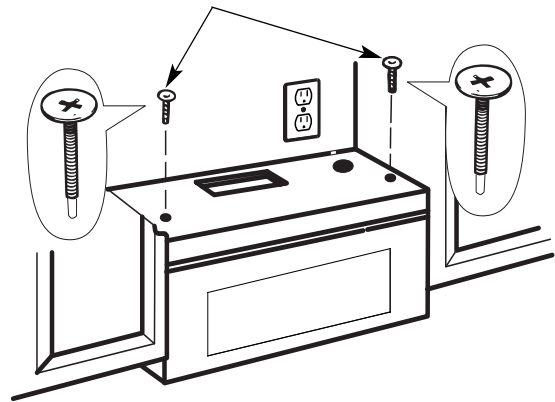
- 2 Rotate front of oven up against cabinet bottom.

- 3 Insert a self-aligning screw through one of the top cabinet holes. Temporarily secure the oven by turning the screw at least **two full turns** after the threads have engaged. (It will be completely tightened later.) **Be sure to keep power cord tight. Be careful not to pinch the cord, especially when mounting flush to bottom of cabinet.**

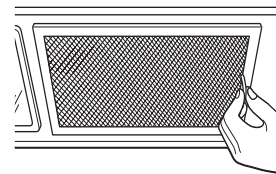


- 4 Attach the microwave oven to the top cabinet.

- 5 Insert 2nd self aligning screw through remaining top cabinet hole. Turn two full turns on screw.



- 7 Tighten the two screws to the top of the microwave oven. (While tightening screws, hold the microwave oven in place against the wall and the top cabinet.)



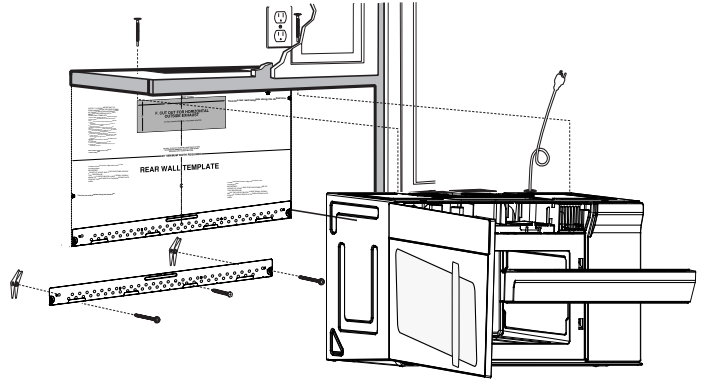
- 8 Install grease filters. See the Use & Care packed with the microwave.

# Installation Instructions

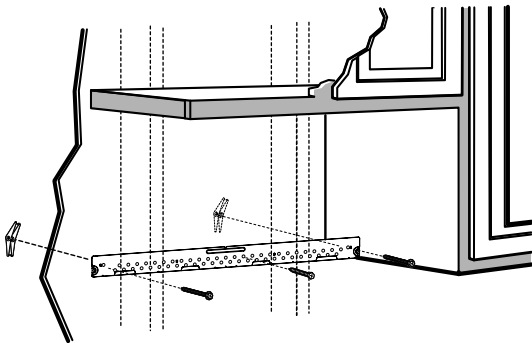
## C RECIRCULATING (Non-Vented Ductless)

### INSTALLATION OVERVIEW

- C1. Attach Mounting Plate to Wall
- C2. Prepare Top Cabinet
- C3. Check Blower Plate
- C4. Mount the Microwave Oven
- C5. Install or change Charcoal Filter

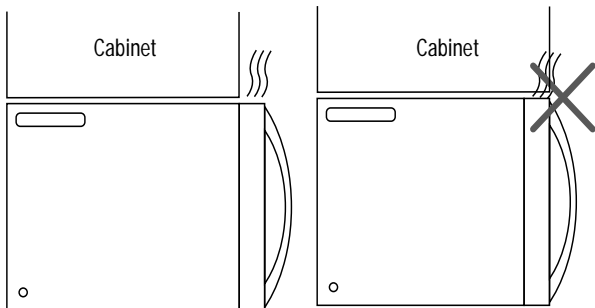


### C1. ATTACH THE MOUNTING PLATE TO THE WALL



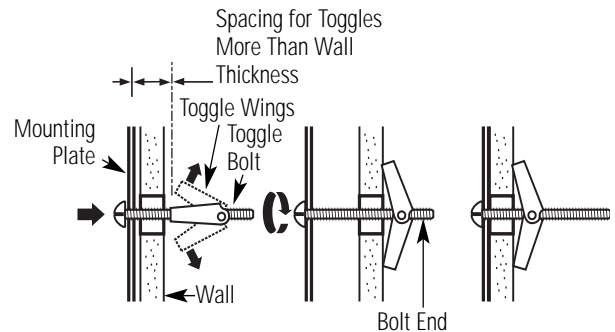
Attach the plate to the wall using toggle bolts. At least one wood screw must be used to attach the plate to a wall stud.

**NOTE:** If the cabinet depth including the cabinet doors is more than 13" then the unit must be spaced out from wall using adequate materials supporting 150 lbs to allow proper top vent air exhaust/intake.



- 1 Remove the toggle wings from the bolts.
- 2 Insert the bolts into the mounting plate through the holes designated to go into drywall and reattach the toggle wings to  $\frac{3}{4}$ " (19 mm) onto each bolt.

To use toggle bolts:



- 3 Place the mounting plate against the wall and insert the toggle wings into the holes in the wall to mount the plate.

**NOTE:** Before tightening toggle bolts and wood screw, make sure the bottom of the mounting plate touch the bottom of the Rear wall template when pushed flush against the wall and that the plate is properly centered under the cabinet.

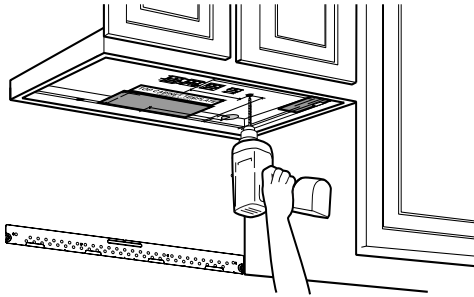
**CAUTION:** Be careful to avoid pinching fingers between the back of the mounting plate and the wall.

- 4 Tighten all bolts. Pull the plate away from the wall to help tighten the bolts.

# Installation Instructions

## C2. USE TOP CABINET TEMPLATE FOR PREPARATION OF TOP CABINET

You need to drill holes for the top support screws and a hole large enough for the power cord to fit through.



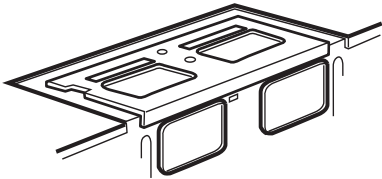
- Read the instructions on the TOP CABINET TEMPLATE.
- Tape it underneath the top cabinet.

**NOTE:** Adjust top template accordingly if the microwave is being spaced out from the wall due to cabinet depth (including cabinet doors) of more than 13".

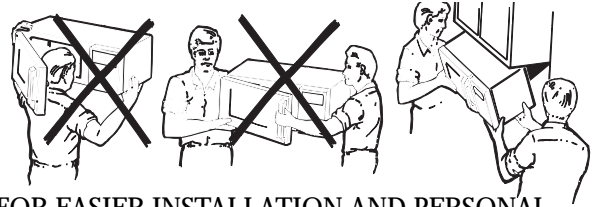
- Drill the holes, following the instructions on the TOP CABINET TEMPLATE.

**CAUTION:** Wear safety goggles when drilling holes in the cabinet bottom.

## C3.



## C4. MOUNT THE MICROWAVE OVEN



FOR EASIER INSTALLATION AND PERSONAL SAFETY, WE RECOMMEND THAT **TWO PEOPLE INSTALL THIS MICROWAVE OVEN.**

**IMPORTANT:** Do not grip or use the handle or heat shield during installation. Do not remove the cardboard spacers between the heat shield and door.

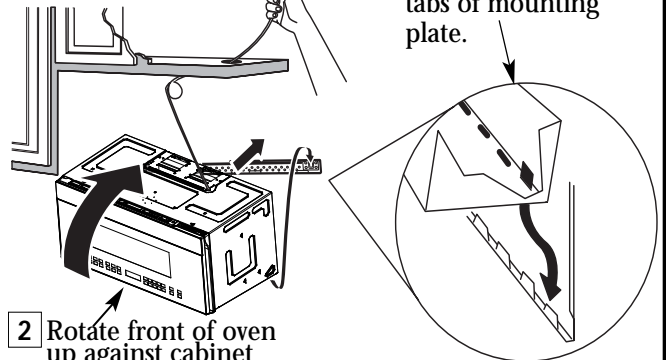
**NOTE:** If your cabinet is metal, use the nylon grommet around the power cord hole to prevent cutting of the cord.

**NOTE:** We recommend using filler blocks if the cabinet front hangs below the cabinet bottom shelf.

**IMPORTANT:** If filler blocks are not used, case damage may occur from overtightening screws.

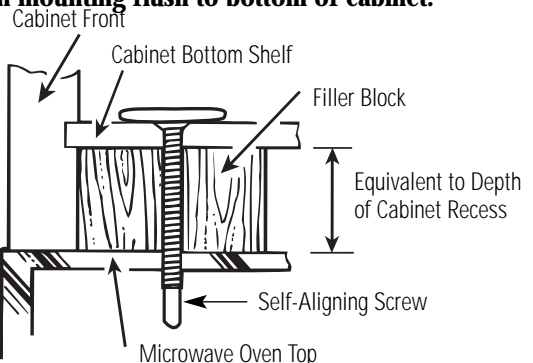
**NOTE:** When mounting the microwave oven, thread power cord through hole in bottom of top cabinet. Keep it tight throughout Steps 1-3. Do not pinch cord or lift oven by pulling cord.

- 1 Lift microwave, tilt it forward, and hook slots at back bottom edge onto four lower tabs of mounting plate.



- 2 Rotate front of oven up against cabinet bottom.

- 3 Insert a self-aligning screw through one of the top cabinet holes. Temporarily secure the oven by turning the screw at least **two full turns** after the threads have engaged. (It will be completely tightened later.) **Be sure to keep power cord tight. Be careful not to pinch the cord, especially when mounting flush to bottom of cabinet.**

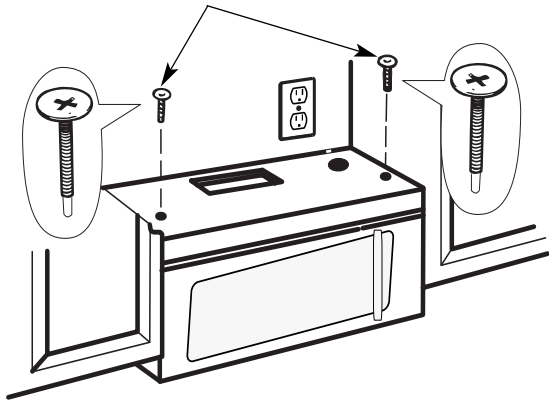


- 4 Attach the microwave oven to the top cabinet.

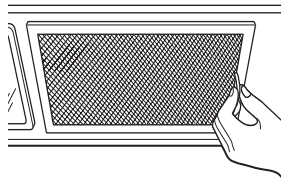
# Installation Instructions

## C4. MOUNT THE MICROWAVE OVEN (cont.)

- 5 Insert 2nd self aligning screw through remaining top cabinet hole.  
Turn two full turns on screw.



- 7 Tighten the two screws to the top of the microwave oven. (While tightening screws, hold the microwave oven in place against the wall and the top cabinet.)



- 8 Install grease filters. See the Use and Care packed with the microwave.

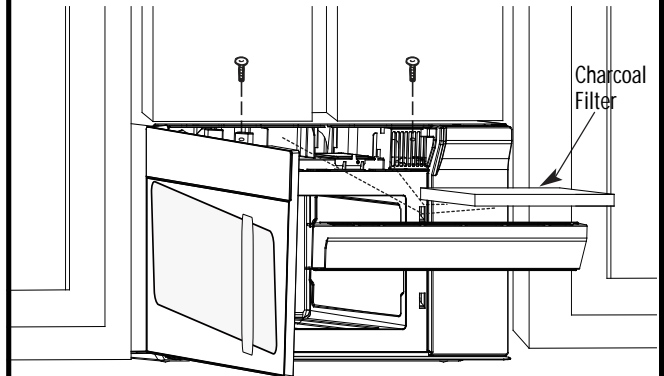
## C5. INSTALLING OR CHANGE THE CHARCOAL FILTER (Some Models)

NOTE: The charcoal filter is factory installed in some models. Refer to the Use and Care to see if yours is factory installed and for replacement information.

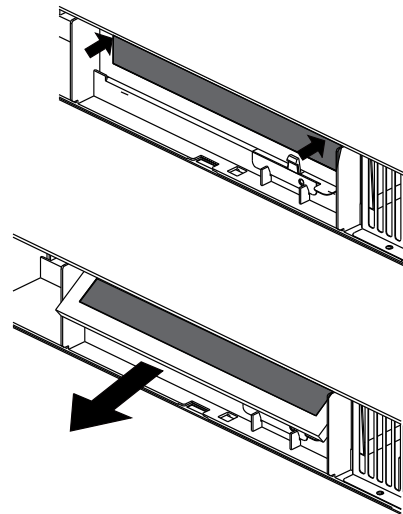
Some models have a filter access door. Refer to the Use and Care to see if yours does. For models without the recirculation filter access door, follow these steps to replace or install a charcoal filter.

- 1 Unplug microwave oven or disconnect power.

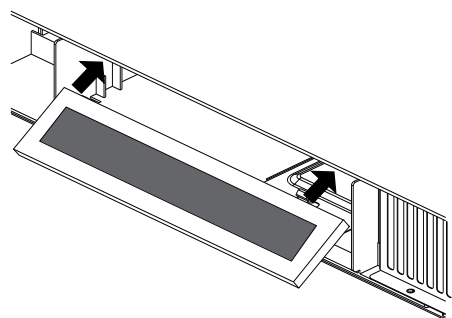
- 2 Open the microwave door and remove the two vent cover mounting screws located on top of the microwave using a #2 Phillips screwdriver. Remove the vent cover by pulling it out at the top and then pulling out.



- 3 Remove the charcoal filter by pushing the top of the filter inwards, then pull it forward out from the unit.

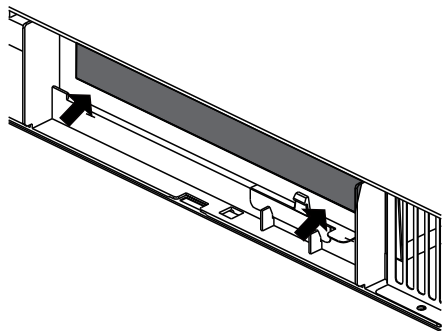


- 4 Slide the top of the new charcoal filter into the top of the filter cavity.



# Installation Instructions

- 5 Press the bottom of charcoal filter to place it into the correct position.



- 6 Reinstall the vent cover by pushing the bottom into place. Push the vent top into position and hold in place. Replace the two vent cover mounting screws located on top of the microwave using a #2 Phillips screwdriver.



- 7 Close the microwave door. Plug in microwave oven or reconnect power.

# Installation Instructions

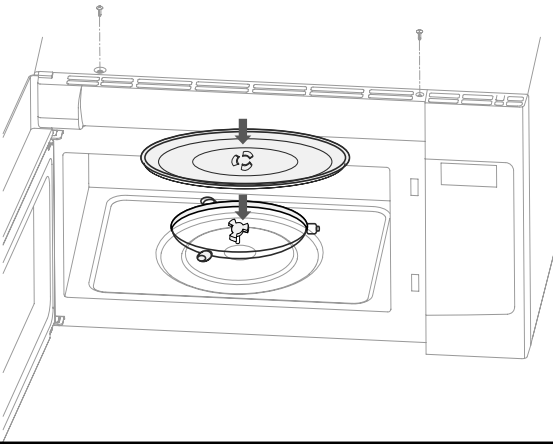
## BEFORE YOU USE YOUR MICROWAVE

1. Make sure the microwave oven has been installed according to instructions.

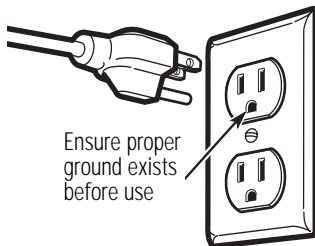


2. Remove all packing material from the microwave oven.

3. Install turntable ring, coupler, and glass tray in cavity.

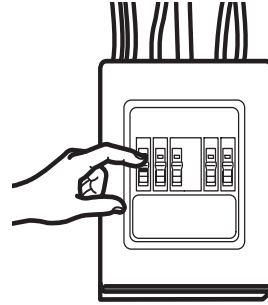


4. Plug power cord into a separate and dedicated 15- to 20-amp electrical outlet.

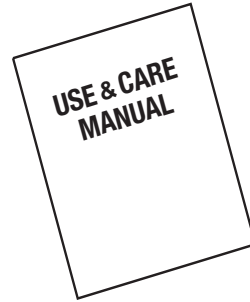


Ensure proper ground exists before use

5. Replace house fuse or turn breaker back on.



6. Read the USE & CARE Manual.



7. KEEP INSTALLATION Manual. FOR THE LOCAL INSPECTOR'S USE.

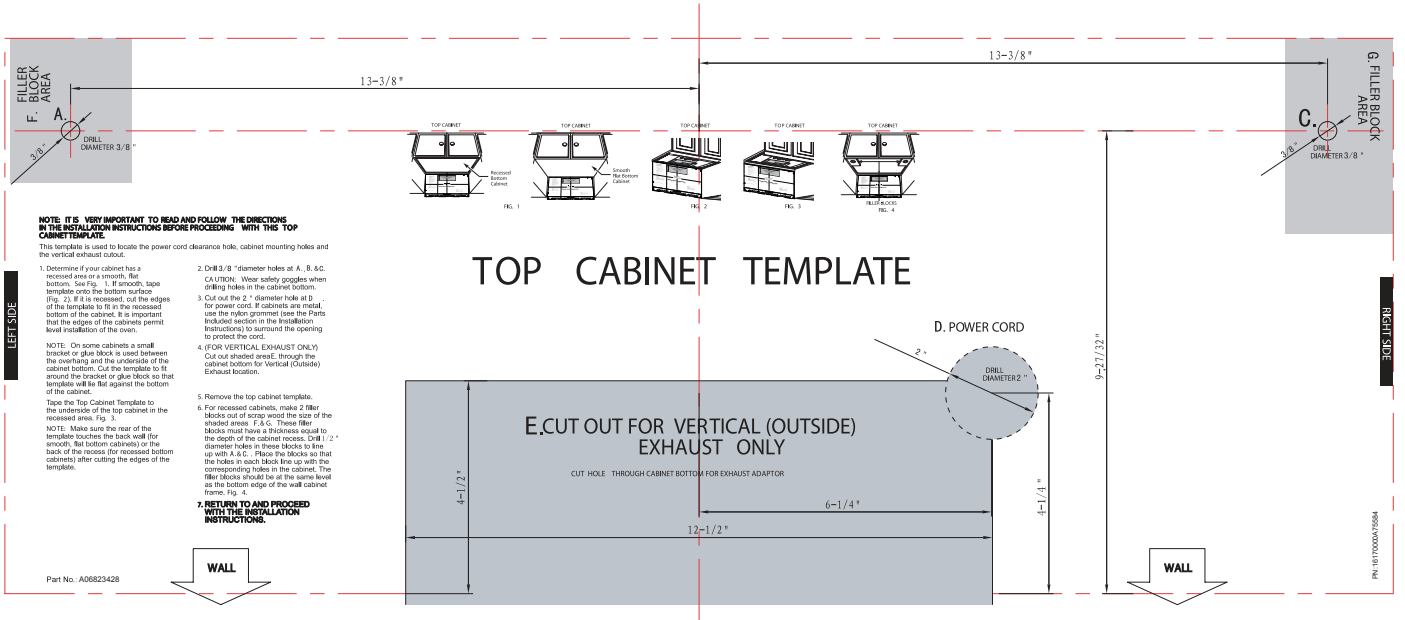
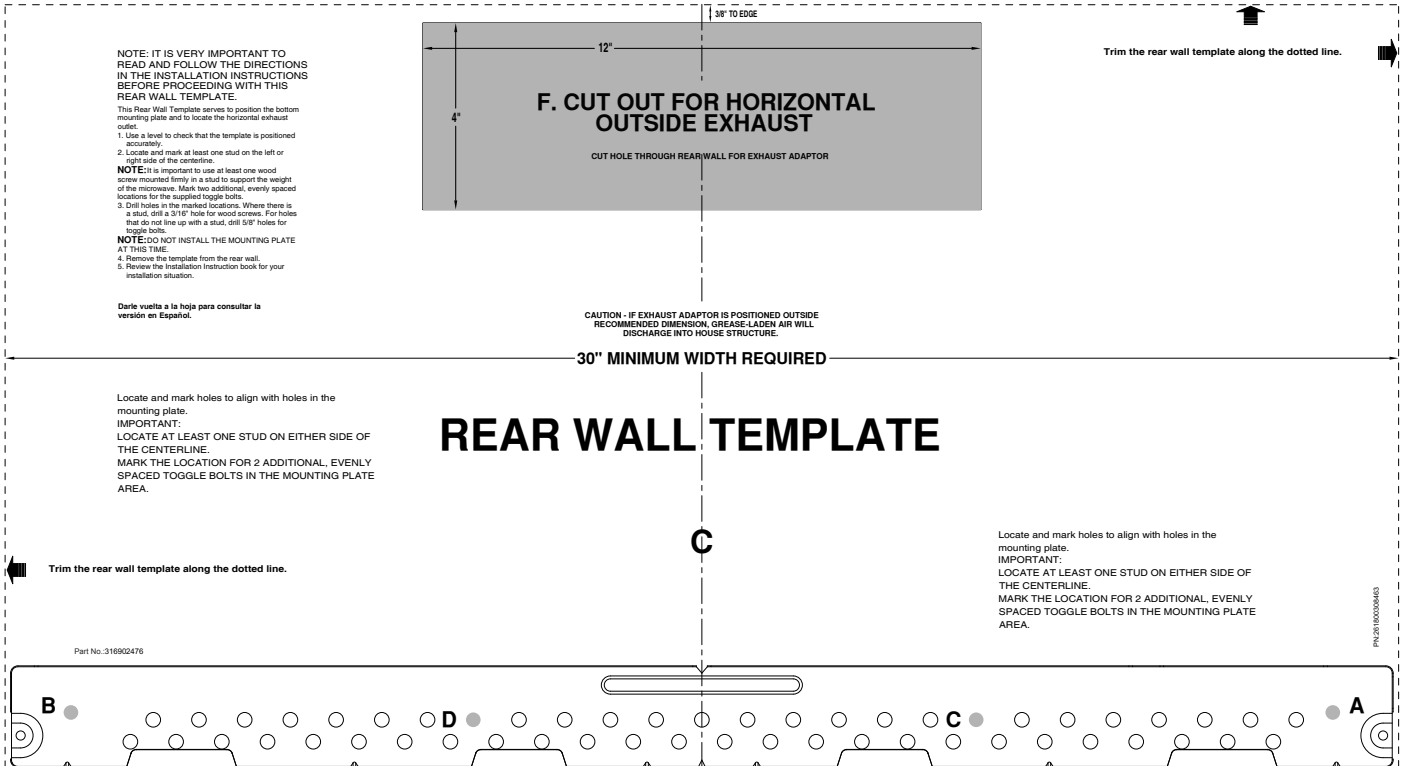




# Installation Instructions

## Operational check

1. Make sure the unit has been installed according to these instructions.
2. Remove all packing materials from the oven.
3. Replace house fuse or turn circuit breaker back on.
4. Plug power cord into receptacle.
5. Read operating instructions before testing the product.
6. Turn on the exhaust fan at high speed and confirm it is operating by using a tissue (it will stick to the filter).
7. For out side vented installations, confirm the outdoor exhaust flapper has opened.
8. Set the microwave oven for 1 minute and confirm the oven is operating normally using a cup of water.
9. Keep these installation instruction for the local electrical inspector's use.



Printed in China

## **CHECK LIST FOR INSTALLATION**

1. Make sure the unit has been installed according to all of the Installation Instructions, the Top Template and Wall Template.
2. Remove all packing material from the oven.
3. Plug in the power cord.
4. Read the Operation Manual.
5. Keep the Installation Instructions for the local electrical inspector's use.

## **ACCESSORIES**

Check with your dealer or order directly from the SHARP Accessories and Supplies Center.

Call toll-free 1-800-BE SHARP (237-4277).

1. CHARCOAL FILTER (RK-233). Filter is used when hood exhaust is recirculated only.
2. GREASE FILTER (RK-235).

**SHARP®**

# SHARP®

## Hornos de Microondas sobre :SM01754JS MANUAL DE INSTALACIÓN



# Instrucciones de Instalación

## CONTENIDOS

### Información general

Medidas de Seguridad Importantes .....	3
Requisitos Eléctricos .....	3
Daños - Envío/Instalación .....	4
Piezas Incluidas .....	4
Herramientas que Necesitará .....	5
Espacio de Montaje .....	5

### Guía de instalación paso a paso

Colocación de la Placa de montaje .....	6-8
Eliminación de la placa de montaje .....	6
Encuentro de los Montantes de Pared ....	6
Determinación de la Ubicación de la Placa de Pared .....	7
Alineación de la Placa de Pared .....	8

### Tipos de Instalación .....

#### Escape de la Campana .....

<b>A</b> Escape Superior Exterior.....	12-15
Fijación de la Placa de Montaje a la Pared .....	12
Preparación del Gabinete Superior .....	13
Adaptación del Ventilador de Microondas para el Escape Superior Exterior .....	13-14
Comprobación del Funcionamiento Correcto del Amortiguador .....	14
Instalación del Horno de Microondas .....	14-15
Ajuste del Adaptador de Escape.....	15
Conductos de Conexión .....	15

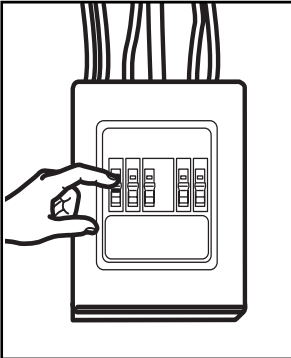
<b>B</b> Escape Exterior Trasero.....	16-19
Preparación de la Pared Trasera para el Escape Exterior Trasero .....	16
Eliminación de la Placa del Ventilador .....	16
Fijación de la Placa de Montaje a la Pared .....	17
Preparación del Gabinete Superior .....	17

Adaptación del Ventilador de Microondas para el Escape Exterior Trasero .....	17-18
Instalación del Horno de Microondas .....	19
<b>C</b> Recirculación .....	20-23
Fijación de la Placa de Montaje a la Pared .....	20
Preparación del Gabinete Superior .....	21
Inspección de la Placa del Ventilador .....	21
Instalación del Horno de Microondas .....	21-22
Instalación o Sustitución del Filtro de Carbón .....	22
<b>Precauciones Antes del Uso .....</b>	<b>24</b>
<b>Información de la Plantilla .....</b>	<b>25</b>

# Instrucciones de Instalación

## INSTRUCCIONES IMPORTANTES DE SEGURIDAD

Este producto necesita un tomacorriente con conexión a tierra de tres clavijas. El instalador debe realizar una verificación de continuidad de tierra en la caja de salida de alimentación antes de comenzar la instalación para asegurarse de que la caja de salida esté debidamente conectada a tierra. Si no está debidamente conectada a tierra, o si la caja de salida no cumple con los requisitos eléctricos indicados (según REQUISITOS ELÉCTRICOS), se debe contratar a un electricista calificado para corregir cualquier deficiencia.



**PRECAUCIÓN:** Considerando su seguridad personal, elimine el fusible de la casa o abra el disyuntor antes de empezar la instalación a fin de evitar lesiones graves o fatales.

**PRECAUCIÓN:** Considerando su seguridad personal, la superficie de montaje debe ser capaz de soportar la carga del gabinete, además del peso adicional de este producto de 63-85 libras (28,5 a 38,5 kg), más cargas adicionales del horno de hasta 50 libras (22,7 kg) o un peso total de 113-135 libras (51,3-61,2 kg). **PRECAUCIÓN:** Considerando su seguridad personal, este producto no puede instalarse en arreglos de gabinete como una isla o una península. Debe estar instalado **AMBOS** en un gabinete superior Y en una pared.

**NOTA:** Con motivo de facilitar la instalación y garantizar la seguridad personal, se recomienda que la instalación del producto sea realizada por dos personas.

**IMPORTANTE - POR FAVOR LEA CON ATENCIÓN. POR SEGURIDAD PERSONAL, ESTE APARATO DEBE CONECTARSE A TIERRA DEBIDAMENTE PARA EVITAR DESCARGAS ELÉCTRICAS SEVERAS O FATALES.**



Asegúrese de que exista una conexión a tierra correcta antes del uso

El cable de alimentación de este electrodoméstico está equipado con un conector (a tierra) de tres clavijas que coincide con un receptáculo de pared estándar (a tierra) de tres clavijas para minimizar los peligros potenciales de descargas eléctricas desde el aparato.

Debe hacer que un electricista calificado verifique el receptáculo de pared y el circuito para asegurarse de que el receptáculo esté correctamente puesto a tierra.

En caso de ser un receptáculo de pared estándar de dos clavijas, es muy importante que lo sustituya con un receptáculo de pared de tres clavijas debidamente conectado a tierra, instalado por un electricista calificado.

**EN NINGÚN CASO PUEDE CORTAR, DEFORMAR NI RETIRAR NINGUNA DE LAS CLAVIJAS DEL CABLE DE ALIMENTACIÓN. NO LO UTILICE CON UN CABLE DE EXTENSIÓN.**

## REQUISITOS ELÉCTRICOS

La clasificación del producto es de 120 voltios CA, 60 Hertz, 15 amperios y 1,6 kilovatios. Debe conectar este producto a un circuito de alimentación separada y específica de voltaje y la frecuencia adecuados. El tamaño del cable debe cumplir con los requisitos del Código Eléctrico Nacional o el código local vigente para esta clasificación de kilovatios.

El cable y el enchufe de alimentación deben llevarse a un tomacorriente individual puesto a tierra de circuito derivado de 20 amperios separado y específico. La caja de salida debe localizarse en el gabinete sobre el horno de microondas. La caja de salida y el circuito de alimentación deben ser instalados por un electricista calificado y deben cumplir con el Código Eléctrico Nacional o el código local vigente.


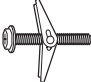


# Instrucciones de Instalación

## DAÑOS - ENVÍO INSTALACIÓN

- Si la unidad es dañada durante el envío, devuélvalo a la tienda donde lo compró para la reparación o sustitución.
- Si la unidad es dañada por el cliente, la reparación o sustitución correrá a cargo del cliente mismo.
- Si la unidad es dañada por el instalador (si no es el cliente), la reparación o el reemplazo deben hacerse por acuerdo entre el cliente y el instalador.




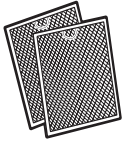
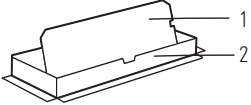


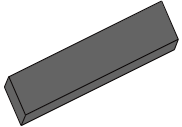
## PIEZAS INCLUIDAS

### PAQUETE DE HERRAMIENTAS (9KL12970000000429)

PIEZA		CANTIDAD
	Tornillos para Madera (1/4"×2")	2
	Tornillos de Fijador (y tuercas de alas) (3/16"×3")	2
	Tornillos Autoalineadores para Máquina (1/4"-28×3 1/4")	3
	Ojal de Nylon (para gabinetes de metal)	1

Encontrará las herramientas de instalación contenidas en un paquete con la unidad. Compruebe que tiene todas estas piezas.  
**NOTA:** También hay piezas adicionales incluidas.

## PIEZAS INCLUIDAS (CONTENIDAS) PIEZAS ADICIONALES

PIEZA		CANTIDAD
 9KL16170000A90425	Plantilla del Gabinete Superior	1
 9KL16170000A90423	Plantilla de la Pared Trasera	1
	Instrucciones de Instalación	1
Manual de Instalación: 9KL16170000A97527 Manual de Uso & Cuidado: 9KL16170000A97526	Manual de Uso & Cuidado	1
 9KL12270000008300	Filtros de Grasa Embalados por Separado	4
 1: 9KL12270000008424 2: 9KL12270000003545	Adaptador de escape	1
 9KL12570000001005	Bandeja de Cristal	1
 9KL12170000004327	Anillo del Plato Giratorio	1
 9KL12270000008304	FILTRO DE CARBÓN	2

# Instrucciones de Instalación

## HERRAMIENTAS QUE NECESITARÁ



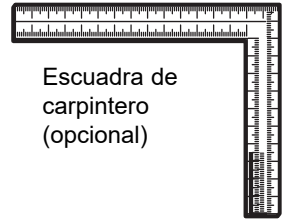
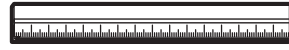
Destornillador Phillips #2



Lápiz



Regla o cinta métrica y borde recto



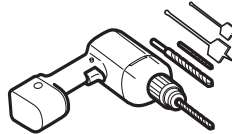
Escuadra de carpintero (opcional)



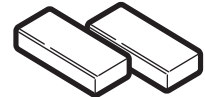
Tijeras de hojalatero (para cortar el amortiguador, si es necesario)



Tijeras (para cortar la plantilla, cuando sea necesario)



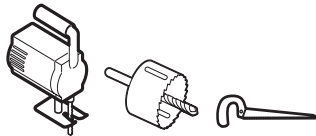
Taladro eléctrico con brocas de  $\frac{3}{16}$ ",  $\frac{1}{2}$ " y  $\frac{5}{8}$ "



Bloques de relleno o pedazos de madera de desecho, si es necesario para el espacio del gabinete superior (usado solo en instalaciones de gabinetes inferiores empotrados)



Guantes



Sierra (sable, agujero u ojo de cerradura)



Detector de vigas



Martillo (opcional)



Gafas protectoras

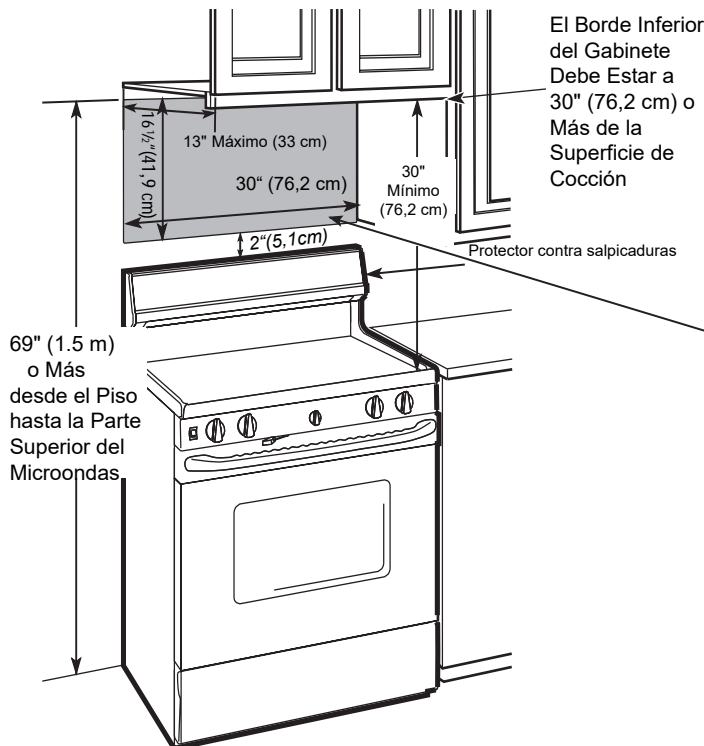


Nivel



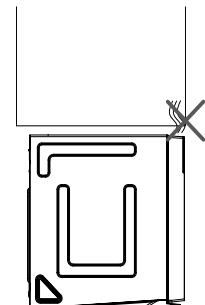
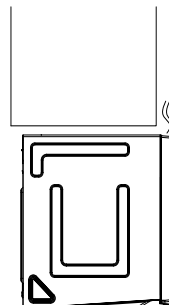
Cinta adhesiva y de enmascarar

## ESPACIO DE MONTAJE



### NOTAS:

- El espacio entre los gabinetes debe ser de 30" (76,2 cm) de ancho y libre de obstáculos.
- Si desea ventilar su horno de microondas hacia el exterior, consulte la Sección de Escape de la Campana para la preparación del conducto de escape.
- Al instalar el horno de microondas debajo de gabinetes lisos y planos, tenga cuidado de observar las indicaciones en la plantilla del gabinete superior para conocer el espacio libre del cable de alimentación.
- Como guía para la instalación, véase en la página 25 para la Información de la Plantilla de Montaje.
- Si la profundidad del gabinete, incluidas las puertas del gabinete, es superior a 13", pues la unidad debe estar separada de la pared por medio de materiales adecuados que soporten 150 libras para permitir la entrada/salida de aire de ventilación superior de manera adecuada.



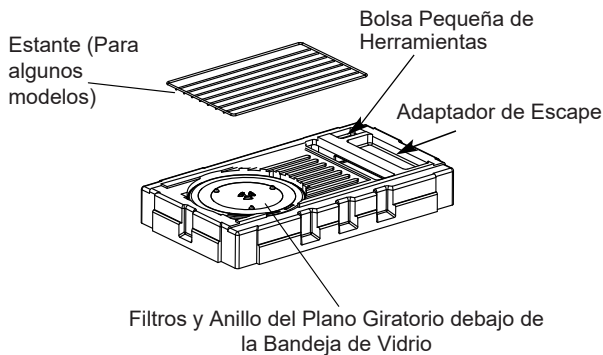


# Instrucciones de Instalación

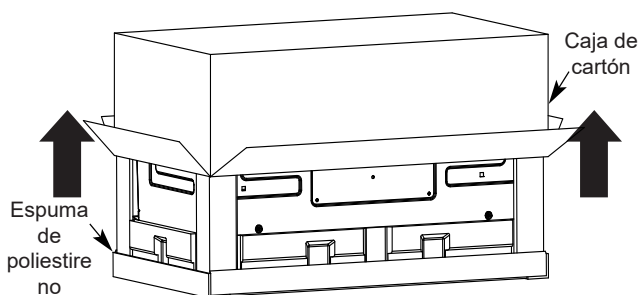
## 1 COLOCACIÓN DE LA PLACA DE MONTAJE

### A. ELIMINACIÓN DEL HORNO DE MICROONDAS DE LA CAJA/ ELIMINACIÓN DE LA PLACA DE MONTAJE

- 1 Retire la placa de la cubierta superior, las instrucciones de instalación, uso y cuidado, el adaptador de escape, el anillo del plato giratorio, el estante, los filtros, la bandeja de vidrio y la bolsa pequeña de herramientas. No saque la espuma de poliestireno que protege la parte delantera del horno.

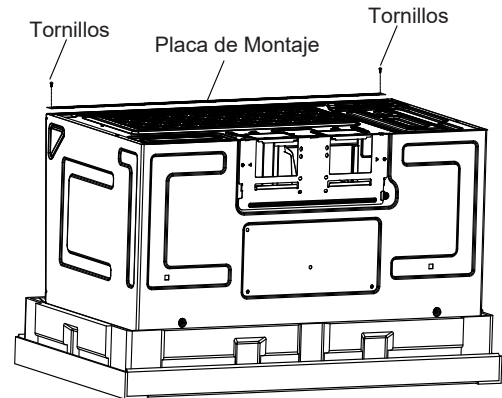


- 2 Doble hacia atrás las 4 solapas de la caja completamente contra los lados de la caja. Luego, enrolle atentamente el horno y la caja de cartón hacia la parte superior. El horno debe estar almacenado en la espuma de poliestireno.



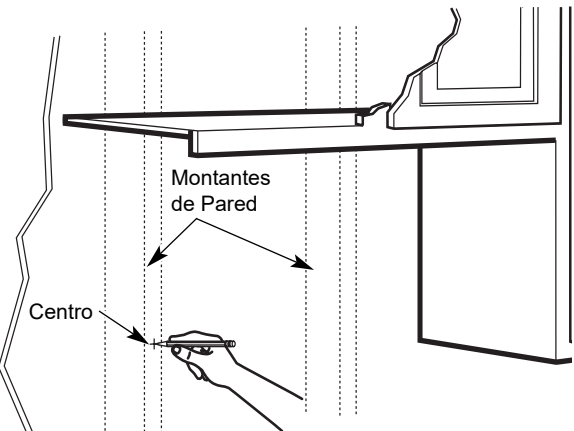
- 3 Tire de la caja hacia arriba y fuera del horno.

- 4 Corte la mitad de la bolsa de plástico protectora exterior para quitar la placa de montaje.



- 5 Retire los tornillos de cada extremo de la placa de montaje. Esta placa será utilizada como plantilla de la pared trasera y para el montaje. Vuelva a instalar los tornillos en los orificios donde se retiraron.

### B. ENCUENTRO DE LOS MONTANTES DE PARED



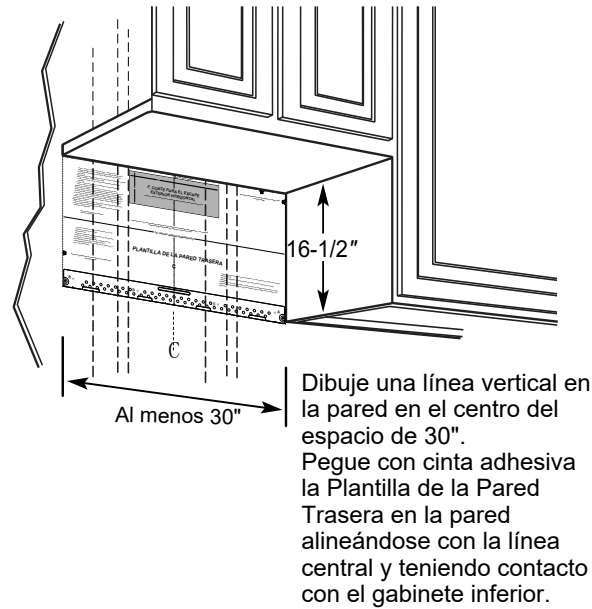
- 1 Encuentre los montantes a través de una de las siguientes maneras:
  - A. Buscador de montantes - un dispositivo magnético que localiza los clavos.
  - B. Use un martillo para golpear ligeramente la superficie de montaje para encontrar un sonido sólido. Esto indicará la posición de un montante.
- 2 Después de encontrar los montantes, encuentre el centro sondeando la pared con un clavo pequeño para encontrar los bordes del montante. Luego, coloque una marca a medio camino entre los bordes. El centro de cualquiera de los dos montantes adyacentes debe estar a 16" (40,6 cm) o 24" (61 cm) de esta marca.
- 3 Dibuje una línea a lo largo del centro de los montantes.

**EL MICROONDAS DEBE ESTAR CONECTADO AL MENOS A UN MONTANTE DE PARED.**

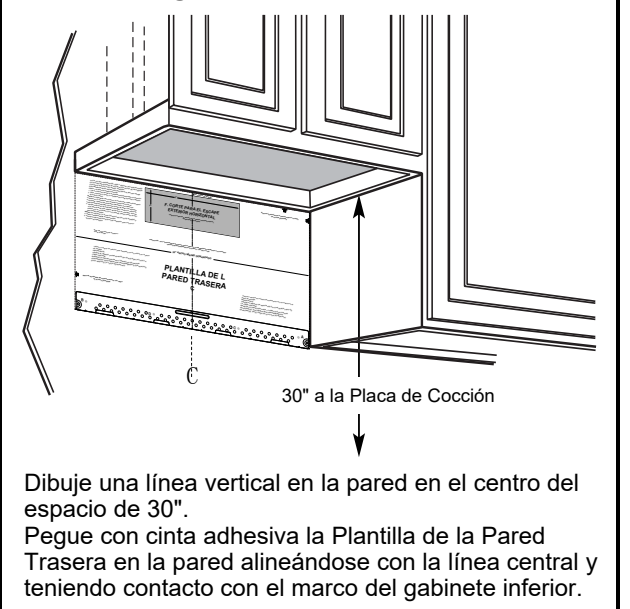
# Instrucciones de Instalación

## C. DETERMINACIÓN DE LA UBICACIÓN DE LA PLACA DE PARED DEBAJO DE SU GABINETE

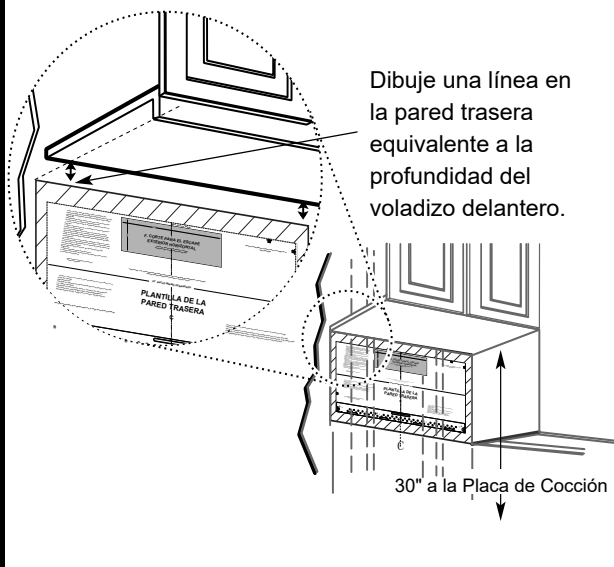
### Posición de la placa - debajo del gabinete plano inferior



### Posición de la placa-debajo de la parte inferior del gabinete empotrado enmarcado



### Posición de la placa-debajo del gabinete inferior empotrado con voladizo delantero



Sus gabinetes pueden tener moldura decorativa que interfiere con la instalación del horno de microondas. Saque la moldura decorativa para instalar el horno de microondas y hacerlo nivelado de manera adecuada.

### EL HORNO DE MICROONDAS DEBE ESTAR NIVELADO.

Use un nivel para asegurarse de que la parte inferior del gabinete esté nivelada. Si el gabinete solo tiene un voladizo frontal, sin marco posterior ni lateral, instale la placa de montaje a la misma distancia que la profundidad del voladizo delantero. Así se puede mantener el horno de microondas nivelado.

- 1 Mida la profundidad interior del voladizo delantero.
- 2 Dibuje una línea horizontal en la pared trasera a la misma distancia por debajo de la parte inferior del gabinete que la profundidad interior del voladizo delantero.
- 3 Para este tipo de instalación solo con voladizo delantero, alinee la plantilla trasera con esta línea horizontal, sin tener contacto con la parte inferior del gabinete como se describe en el Paso D.



# Instrucciones de Instalación

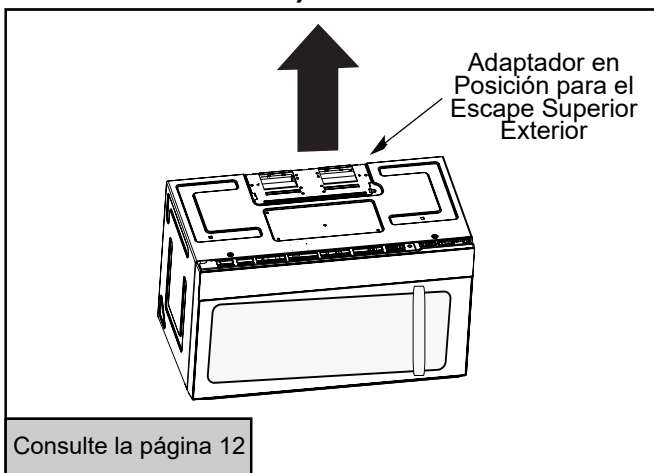
## 2 TIPOS DE INSTALACIÓN (Elija A, B o C)

Este horno de microondas se diseña para adaptarse a los siguientes tres tipos de ventilación:

- A. Escape Superior Exterior (Conducto Vertical)
- B. Escape Exterior Trasera (Conducto Horizontal)
- C. Recirculación (Sin Conductos de Ventilación)

**NOTA:** Este horno de microondas se envía ensamblado para la Recirculación. Elija el tipo de ventilación que desea para su instalación y continúe con la sección correspondiente.

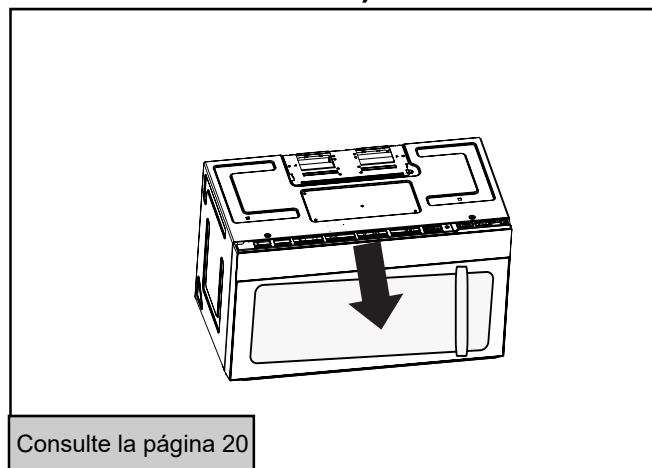
### A ESCAPE SUPERIOR EXTERIOR (CONDUCTO VERTICAL)



### B ESCAPE EXTERIOR TRASERA (CONDUCTO HORIZONTAL)



### C RECIRCULACIÓN (SIN CONDUCTOS DE VENTILACIÓN)



Los modelos se envían para el escape de recirculación. Estos modelos están equipados con un filtro de carbón desechable para ayudar a eliminar el humo y los olores.

**NOTA:** Lea las siguientes dos páginas solo si planea ventilar su escape hacia el exterior. Si desea recircular el aire de regreso dentro de la habitación, consulte la página 20.

# Instrucciones de Instalación

## INSTRUCCIONES DE INSTALACIÓN PARA CONDUCTO DE ESCAPE EXTERIOR

**NOTA:** Si necesita instalar conductos, preste atención a que la longitud total del conducto de 3<sup>1</sup>/<sub>4</sub>"x10" (8,2x25,4 cm) rectangular o 5" (12,7 cm) de diámetro/6" (15,2 cm) de diámetro del conducto redondo **no debe exceder los 120 pies equivalentes (36,5 m)**.

La ventilación exterior necesita un CONDUCTO DE ESCAPE EXTERIOR. Lea atentamente el siguiente contenido.

**NOTA:** Es importante que la ventilación sea instalada a través de la ruta más directa y con la menor cantidad de codos posible. Así se puede asegurar una ventilación clara del escape y ayudar a prevenir los obstáculos. **Por otro lado, asegúrese de que las compuertas giren libremente y que nada esté bloqueando los conductos.**





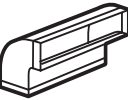
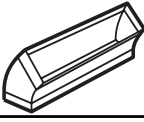
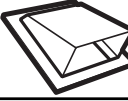

### Conexión del escape:

El adaptador de escape ha sido diseñado para acoplarse con un conducto rectangular estándar de 3<sup>1</sup>/<sub>4</sub>"x10" (8,2x25,4 cm). En caso de requerir un conducto redondo, se debe usar un adaptador de transición de rectangular a redondo. **Es aplicable un conducto de 5" (12,7 cm)/6" (15,2 cm) de diámetro.**

### Longitud máxima del conducto:

Para asegurar el movimiento fluido del aire, la longitud total del conducto de 3<sup>1</sup>/<sub>4</sub>"x10" (8,2x25,4 cm) rectangular o 5" (12,7 cm) de diámetro/6" (15,2 cm) de diámetro del conducto redondo **no debe exceder los 120 pies equivalentes (36,5 m)**.

**Los codos, transiciones, tapas de paredes y techos, etc.,** presentan una resistencia adicional al flujo de aire y son equivalentes a una sección de conducto recto que es más larga que su tamaño físico real. Por lo tanto, al calcular la longitud total del conducto, hay que sumar las longitudes equivalentes de todas las transiciones y adaptadores más la longitud de todas las secciones del conducto recto. La siguiente tabla le muestra el método de calcular la longitud total equivalente de los conductos utilizando los pies aproximados de longitud equivalente de algunos conductos típicos.

PIEZAS DE CONDUCTO		LONGITUD EQUIVALENTE <sup>x</sup>	NÚMERO UTILIZADO	=	LONGITUD EQUIVALENTE
	Adaptador de Transición de Rectangular a Redondo*	5 Ft. (1,5 m)	x ( )	=	Ft. o m
	Tapa de Pared	40 Ft. (12,2 m)	x ( )	=	Ft. o m
	Codo de 90°	10 Ft. (3 m)	x ( )	=	Ft. o m
	Codo de 45°	5 Ft. (1,5 m)	x ( )	=	Ft. o m
	Codo de 90°	25 Ft. (7,6 m)	x ( )	=	Ft. o m
	Codo de 45°	5 Ft. (1,5 m)	x ( )	=	Ft. o m
	Tapa de Techo	24 Ft. (7,3 m)	x ( )	=	Ft. o m
	Conducto Recto de 6" (15,2 cm) Redondo o 3 <sup>1</sup> / <sub>4</sub> "x10" (8,2x25,4 cm Rectangular)	1 Ft. (0,3 m)	x ( )	=	Ft. o m
<b>Conductos Totales</b>				<b>=</b>	<b>Ft. o m</b>



\* **IMPORTANTE:** Si se usa un adaptador de transición de rectangular a redondo, las esquinas inferiores del amortiguador deberán cortarse para que sea conforme, con las tijeras de hojalatero, a fin de permitir el libre movimiento del amortiguador.

Las longitudes equivalentes de las piezas de conductos se basan en pruebas reales y reflejan los requisitos para un buen rendimiento de ventilación con cualquier campana de ventilación.

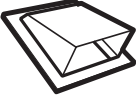


# Instrucciones de Instalación

## CONDUCTO DE ESCAPE EXTERIOR

### ESCAPE SUPERIOR EXTERIOR (SOLO EJEMPLO)

El siguiente cuadro presenta un ejemplo de una posible instalación de conductos.

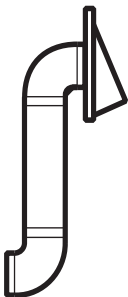


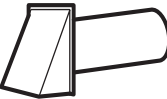


PIEZAS DE CONDUCTO		LONGITUD EQUIVALENTE	x	NÚMERO UTILIZADO	=	LONGITUD EQUIVALENTE	
	Tapa de Techo	24 Ft. (7,3 m)	x	(1)	=	24 Ft. (7,3 m)	
	12 Pies (3,6 m) Conducto Recto (6"/15,2 cm Redondo)	12 Ft. (3,6 m)	x	(1)	=	12 Ft. (3,6 m)	
	Adaptador de Transición de Rectangular a Redondo*	5 Ft. (1,5 m)	x	(1)	=	5 Ft. (1,5 m)	
Las longitudes equivalentes de las piezas de conductos se basan en pruebas reales y reflejan los requisitos para un buen rendimiento de ventilación con cualquier campana de ventilación.					<b>Longitud Total</b>	<b>=</b>	<b>41 Ft. (12,4 m)</b>

\* **IMPORTANTE:** Si se usa un adaptador de transición de rectangular a redondo, las esquinas inferiores del amortiguador deberán cortarse para que sea conforme, con las tijeras de hojalatero, a fin de permitir el libre movimiento del amortiguador.

### ESCAPE EXTERIOR TRASERO (SOLO EJEMPLO)

El siguiente cuadro presenta un ejemplo de una posible instalación de conductos.



PIEZAS DE CONDUCTO		LONGITUD EQUIVALENTE	x	NÚMERO UTILIZADO	=	LONGITUD EQUIVALENTE	
	Tapa de Pared	40 Ft. (12,2 m)	x	(1)	=	40 Ft. (12,2 m)	
	3 Pies Conducto Recto (3¼"x10"/8,2x25,4 cm Rectangular)	3 Ft. (0,9 m)	x	(1)	=	3 Ft. (0,9 m)	
	Codo de 90°	10 Ft. (3 m)	x	(2)	=	20 Ft. (6 m)	
Las longitudes equivalentes de las piezas de conductos se basan en pruebas reales y reflejan los requisitos para un buen rendimiento de ventilación con cualquier campana de ventilación.					<b>Longitud Total</b>	<b>=</b>	<b>63 Ft. (19,1 m)</b>

**NOTA:** Para el escape trasero, debe tener cuidado de alinear el escape con el espacio entre los montantes, o se debe preparar la pared mientras se construye dejando suficiente espacio entre los montantes de la pared para acomodar el escape.

# Instrucciones de Instalación

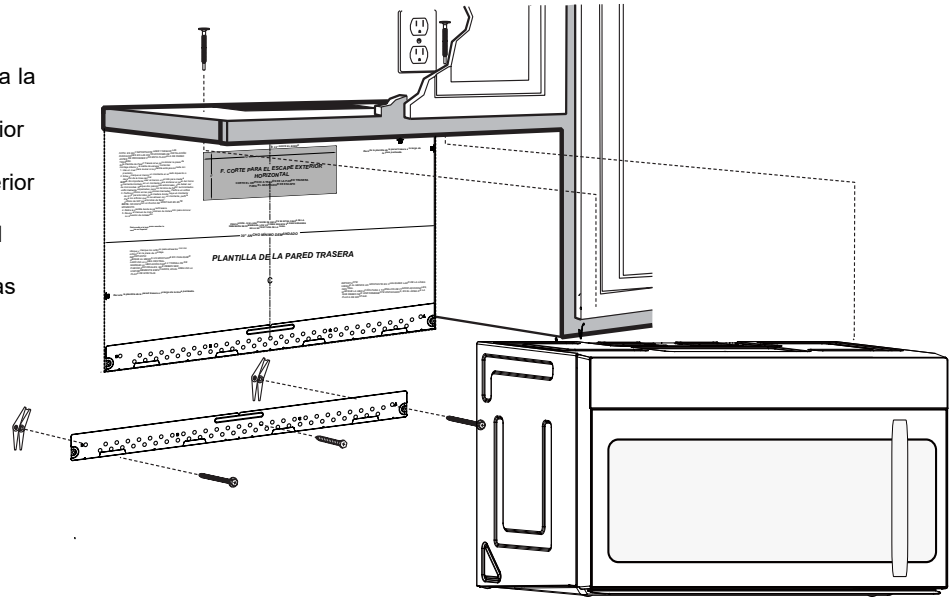
## A ESCAPE SUPERIOR EXTERIOR (Conducto Vertical)

### PERSPECTIVA DE INSTALACIÓN

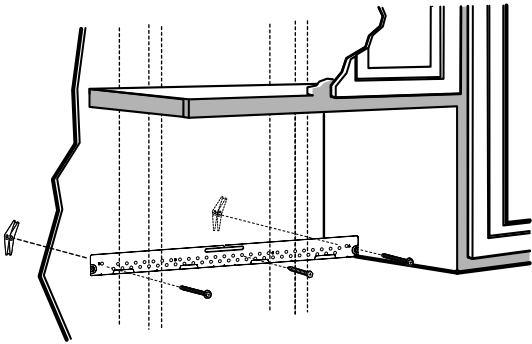
- A1. Fijación de la Placa de Montaje a la Pared
- A2. Preparación del Gabinete Superior
- A3. Adaptación del Ventilador de Microondas para el Escape Exterior Trasero
- A4. Revisión del Funcionamiento del Amortiguador
- A5. Montaje del Horno de Microondas
- A6. Ajuste del Adaptador de Escape
- A7. Conexión de Conductos

#### NOTAS IMPORTANTES:

- Asegúrese de que los tornillos del motor del ventilador y la placa del ventilador estén firmemente apretados cuando se vuelvan a instalar. Así se puede ayudar a evitar vibraciones excesivas.
- Confirme que el cableado del motor se ha enrutado y asegurado de manera adecuada, y que los cables no están pellizcados.



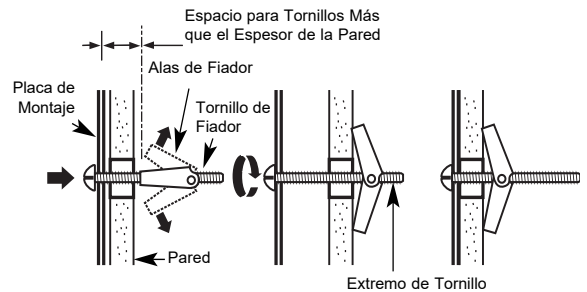
### A1. FIJAR LA PLACA DE MONTAJE A LA PARED



Fije la placa a la pared con tornillos de fiador. Se debe utilizar al menos un tornillo para madera para fijar la placa a un montante de la pared.

- 1 Retire las alas de fiador desde los tornillos.
- 2 Inserte los tornillos en la placa de montaje a través de los orificios designados para entrar en el panel de yeso y vuelva a fijar las alas de fiador a  $\frac{3}{4}$ " (19 mm) en cada tornillo.

### Para usar los tornillos de fiador:



- 3 Ubique la placa de montaje contra la pared e inserte las alas de fiador en los orificios de la pared para instalar la placa.

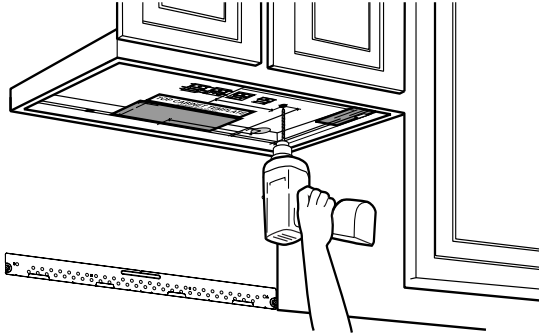
**NOTA:** Antes de apretar los tornillos de fiador y el tornillo para madera, asegúrese de que la parte inferior de la placa de montaje tenga contacto con la parte inferior de la Plantilla de la pared trasera cuando se empuje contra la pared y que la placa esté debidamente centrada debajo del gabinete.  
**PRECAUCIÓN:** Tenga cuidado de no pillarse los dedos entre la parte trasera de la placa de montaje y la pared.

- 4 Apriete todos los tornillos. Extraiga la placa de la pared para ayudar a apretar los tornillos.

# Instrucciones de Instalación

## A2. USO DE LA PLANTILLA DEL GABINETE SUPERIOR PARA PREPARAR EL GABINETE SUPERIOR

Es necesario perforar orificios para los tornillos de soporte superiores, un orificio de largo suficiente para que pase el cable de alimentación y un corte de largo suficiente para el adaptador de escape.

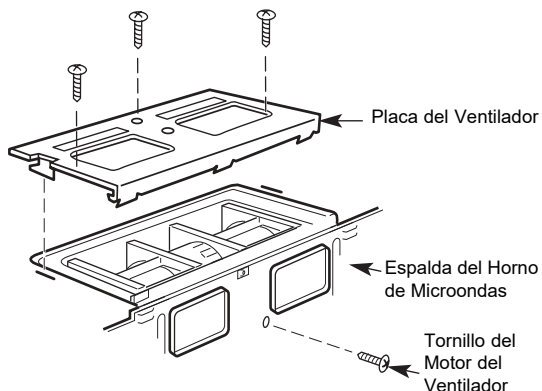


- Lea las instrucciones en la PLANTILLA DEL GABINETE SUPERIOR.
- Péguelo debajo del gabinete superior.
- Perfore los orificios de acuerdo con las instrucciones de la PLANTILLA DEL GABINETE SUPERIOR.

**PRECAUCIÓN:** Use las gafas de protección al perforar orificios en la parte inferior del gabinete.

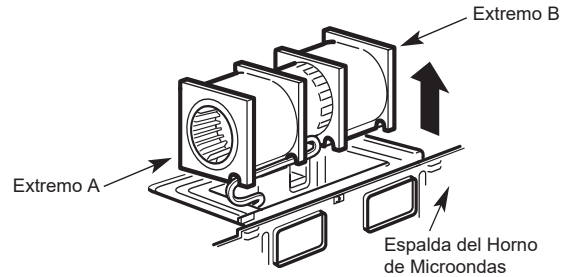
## A3. ADAPTACIÓN DEL VENTILADOR DE MICROONDAS PARA EL ESCAPE SUPERIOR EXTERIOR

- 1 Coloque el horno de microondas en posición vertical, con la parte superior de la unidad hacia arriba.

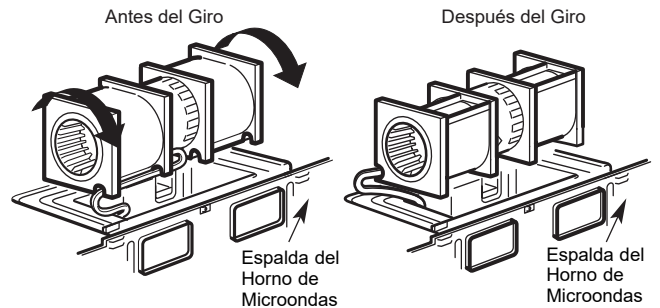


Retire el tornillo que sujeta la placa del ventilador al horno. Retire y guarde el tornillo que sujeta el motor del ventilador al horno.

- 2 Retire atentamente la unidad del ventilador. Los cables se extenderán lo suficiente para permitirle ajustar la unidad del ventilador.

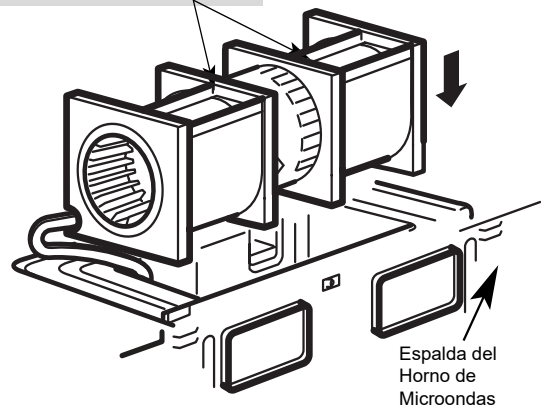


- 3 Gire la unidad del ventilador 90° para que las aberturas de las aspas del ventilador queden hacia afuera de la parte superior del horno.



- 4 Reponga la unidad del ventilador en la abertura.

**DESPUÉS:** Aberturas de Aspas del Ventilador Mirando Hacia Arriba



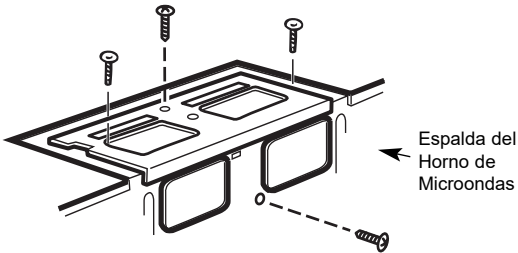
**PRECAUCIÓN:** No tire ni estire los cables de la unidad del ventilador. Compruebe que los cables no estén pellizcados y que estén debidamente asegurados.



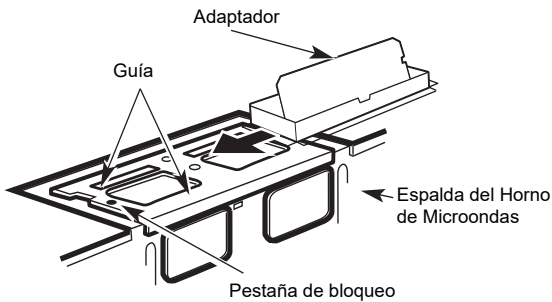
# Instrucciones de Instalación

## A3. ADAPTACIÓN DEL VENTILADOR DE MICROONDAS PARA EL ESCAPE SUPERIOR EXTERIOR

- 5 Fije la unidad del ventilador al horno con el tornillo retirado en el Paso 1. Asegúrese de que el tornillo esté apretado.
- 6 Reponga la placa del ventilador con los tornillos retirados en el Paso 1. Asegúrese de que los tornillos estén apretados.

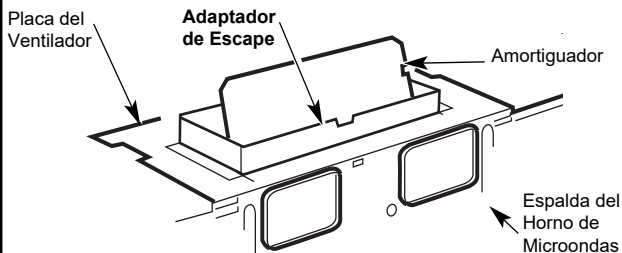


- 7 Fije el adaptador de escape a la parte superior de la placa del ventilador deslizando en las guías de la placa del ventilador.



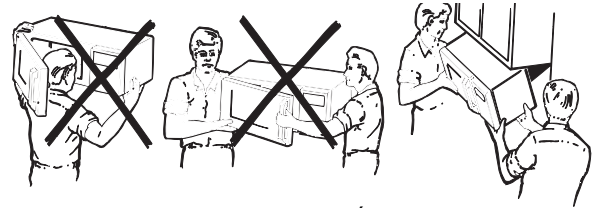
Empuje firmemente hasta que esté en las pestañas de bloqueo. Asegúrese de que la bisagra del amortiguador esté instalada de modo que el amortiguador oscile de manera flexible.

## A4. COMPROBACIÓN DEL FUNCIONAMIENTO CORRECTO DEL AMORTIGUADOR



- Asegúrese de quitar la cinta que asegura el amortiguador y que el amortiguador pueda girar fácilmente antes de montar el horno.
- Tendrá que realizar ajustes para asegurar una alineación adecuada con el conducto de escape de su casa después de haber instalado el microondas.

## A5. INSTALACIÓN DEL HORNO DE MICROONDAS



PARA FACILITAR LA INSTALACIÓN Y GARANTIZAR LA SEGURIDAD PERSONAL, SE RECOMIENDA QUE LA INSTALACIÓN DEL PRODUCTO SEA REALIZADA POR DOS PERSONAS.

**IMPORTANTE:** No sujete ni use la manija o el protector térmico durante la instalación. No retire los espaciadores de cartón entre el protector térmico y la puerta.

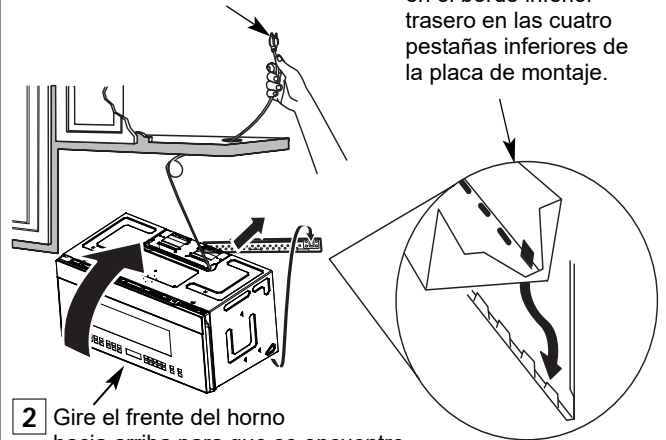
**NOTA:** Si su gabinete es metálico, use el ojal de nilón alrededor del orificio del cable de alimentación para evitar que se corte el cable.

**NOTA:** Es recomendable usar bloques de relleno si el frente del gabinete cuelga debajo del estante inferior del gabinete.

**IMPORTANTE:** En caso de no usar bloques de relleno, se pueden producir daños en la caja debido a un apriete excesivo de los tornillos.

**NOTA:** Al montar el horno de microondas, pase el cable de alimentación a través del orificio en la parte inferior del gabinete superior. Manténgalo ajustado por medio de los pasos 1 - 3. No pellizque el cable ni levante el horno por tirar del cable.

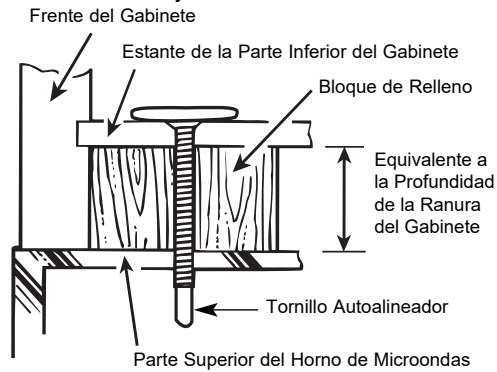
- 1 Levante el microondas, inclínelo hacia adelante y enganche las ranuras en el borde inferior trasero en las cuatro pestañas inferiores de la placa de montaje.



- 2 Gire el frente del horno hacia arriba para que se encuentre contra la parte inferior del gabinete.
- 3 Inserte un tornillo autoalineador a través de uno de los orificios del gabinete superior. Asegure temporalmente el horno por medio de girar el tornillo al menos dos vueltas completas después de que las roscas se hayan acoplado. (Será apretada por completo más tarde.) Asegúrese de mantener apretado el cable de alimentación. Tenga cuidado de no pellizcar el cable, especialmente cuando lo monte al ras de la parte inferior del gabinete.

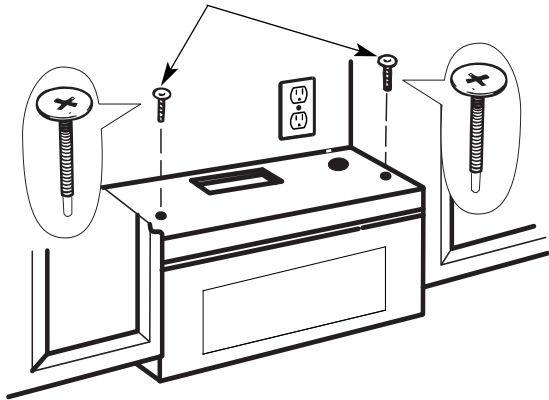
# Instrucciones de Instalación

## A5. INSTALACIÓN DEL HORNO DE MICROONDAS (continuar)

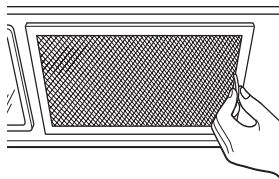


4 Fije el horno de microondas al gabinete superior.

5 Inserte el segundo tornillo autoalineador a través del orificio restante del gabinete superior. Gire el tornillo dos vueltas completas.



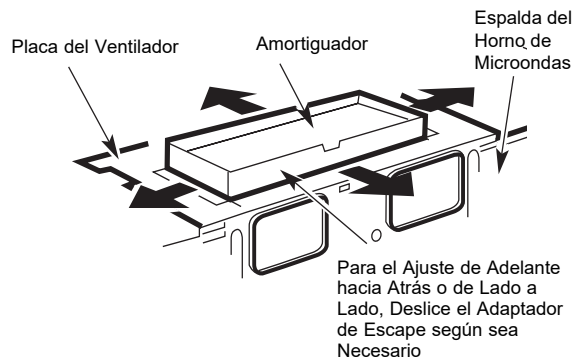
7 Apriete los dos tornillos exteriores a la parte superior del horno de microondas. (Al apretar los tornillos, sostenga el horno de microondas en su posición contra la pared y el gabinete superior.)



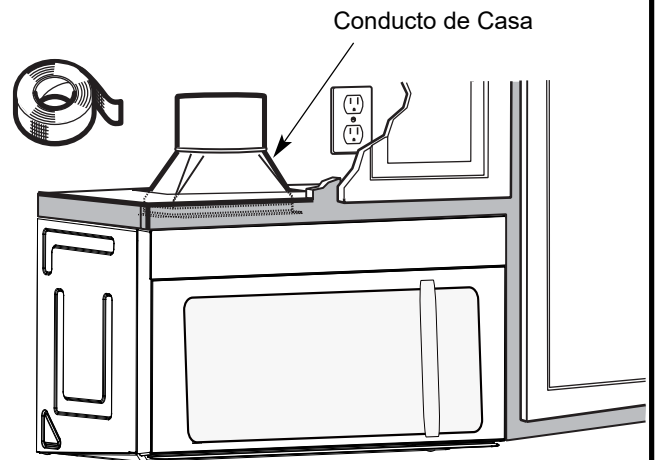
8 Instale los filtros de grasa. Consulte el Uso y Cuidado adjunto con el horno de microondas.

## A6. AJUSTE DEL ADAPTADOR DE ESCAPE

Abra el gabinete superior y ajuste el adaptador de escape para conectarlo al conducto de la casa.



## A7. CONEXIÓN DE CONDUCTOS



- 1 Tienda el conducto de casa hacia abajo para conectarlo al adaptador de escape.
- 2 Use cinta para conductos de calefacción resistentes a alta temperatura para sellar las uniones de los conductos.

# Instrucciones de Instalación

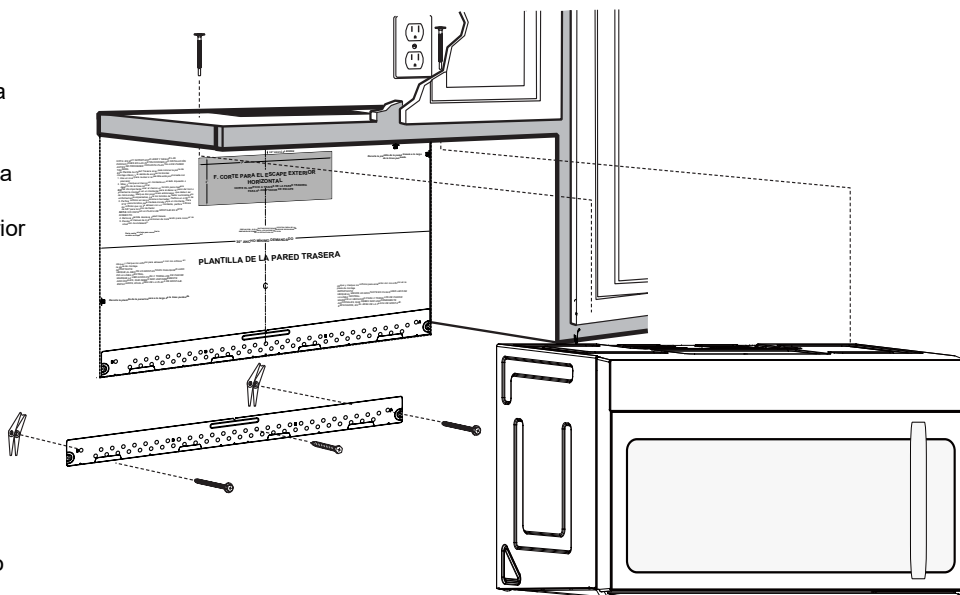
## B ESCAPE EXTERIOR TRASERA (Conducto Horizontal)

### PERSPECTIVA DE INSTALACIÓN

- B1. Preparación de la Pared Trasera
- B2. Eliminación de la Placa del Ventilador
- B3. Fijación de la Placa de Montaje a la Pared
- B4. Preparación del Gabinete Superior
- B5. Ajuste del Ventilador
- B6. Instalación del Horno de Microondas

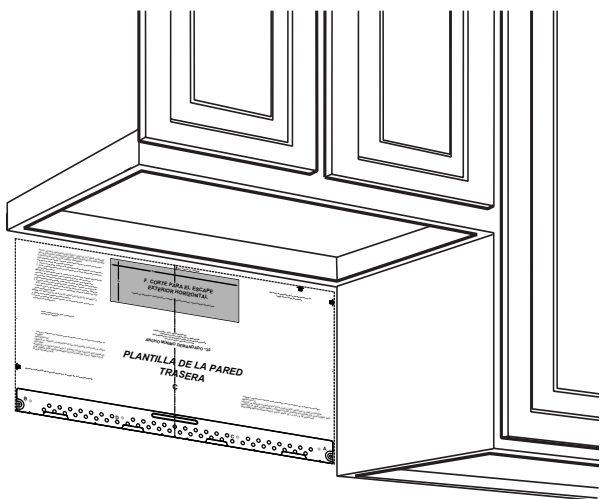
#### NOTAS IMPORTANTES:

- Asegúrese de que los tornillos del motor del ventilador y la placa del ventilador estén firmemente apretados cuando se vuelvan a instalar. Así se puede ayudar a evitar vibraciones excesivas.
- Confirme que el cableado del motor se ha enrutado y asegurado de manera adecuada, y que los cables no están pellizcados.



### B1. PREPARACIÓN DE LA PARED TRASERA PARA EL ESCAPE EXTERIOR TRASERO

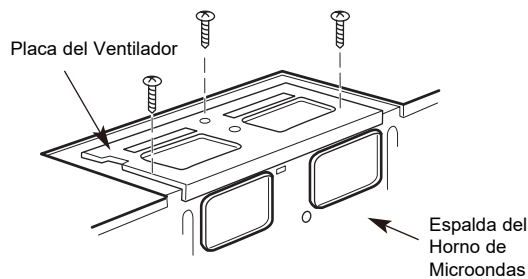
Necesita cortar una apertura en la pared trasera para el escape exterior.



- Lea las instrucciones en la PLANTILLA DE LA PARED TRASERA.
- Péguelo a la pared trasera.
- Corte la apertura de acuerdo con las instrucciones de la PLANTILLA DE LA PARED TRASERA.

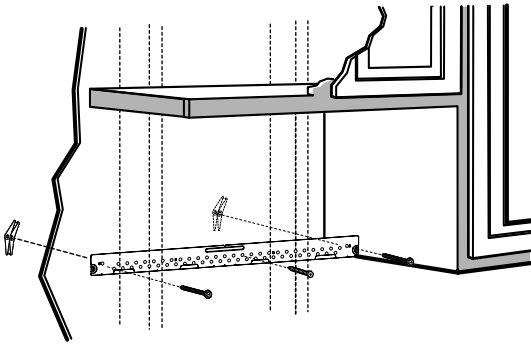
### B2. ELIMINACIÓN DE LA PLACA DEL VENTILADOR

Retire y guarde el tornillo que sujeta la placa del ventilador al horno. Levante la placa del ventilador.



# Instrucciones de Instalación

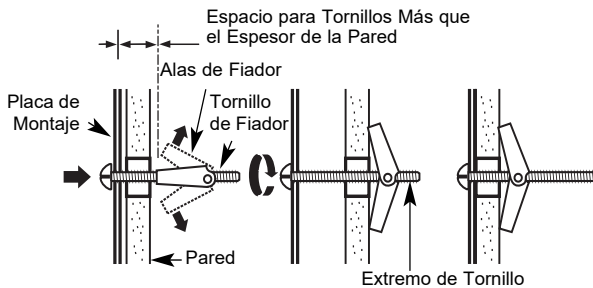
## B3. FIJAR LA PLACA DE MONTAJE A LA PARED



Fije la placa a la pared con tornillos de fiador. Se debe utilizar al menos un tornillo para madera para fijar la placa a un montante de la pared.

- 1 Retire las alas de fiador desde los tornillos.
- 2 Inserte los tornillos en la placa de montaje a través de los orificios designados para entrar en el panel de yeso y vuelva a fijar las alas de fiador a 3/4" (19 mm) en cada tornillo.

### Para usar los tornillos de fiador:



- 3 Ubique la placa de montaje contra la pared e inserte las alas de fiador en los orificios de la pared para instalar la placa.

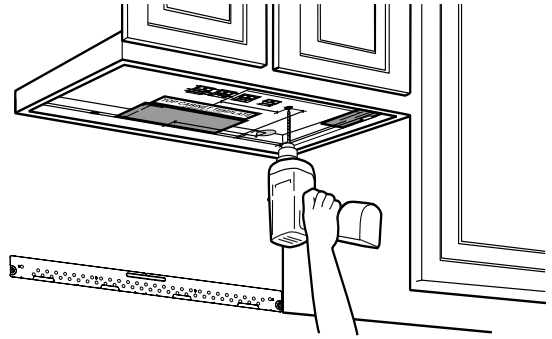
**NOTA:** Antes de apretar los tornillos de fiador y el tornillo para madera, asegúrese de que la parte inferior de la placa de montaje tenga contacto con la parte inferior de la plantilla de la pared trasera cuando se empuje contra la pared y que la placa esté debidamente centrada debajo del gabinete.

**PRECAUCIÓN:** Tenga cuidado de no pillarse los dedos entre la parte trasera de la placa de montaje y la pared.

- 4 Apriete todos los tornillos. Extraiga la placa de la pared para ayudar a apretar los tornillos.

## B4. USO DE LA PLANTILLA DEL GABINETE SUPERIOR PARA PREPARAR EL GABINETE SUPERIOR

Necesita perforar agujeros para los tornillos de soporte superiores y un agujero de largo suficiente para que pase el cable de alimentación.

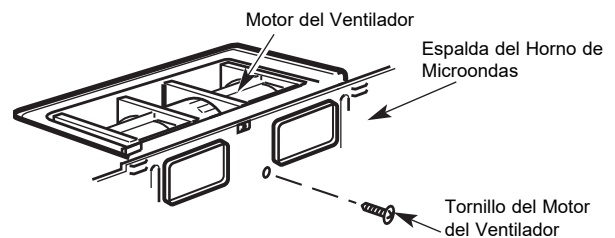


- Lea las instrucciones en la PLANTILLA DEL GABINETE SUPERIOR.
- Péguelo debajo del gabinete superior.
- Perfore los orificios de acuerdo con las instrucciones de la PLANTILLA DEL GABINETE SUPERIOR.

**PRECAUCIÓN:** Use las gafas de protección al perforar orificios en la parte inferior del gabinete.

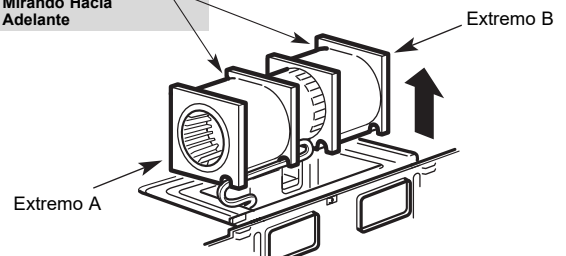
## B5. ADAPTACIÓN DEL VENTILADOR DE MICROONDAS PARA EL ESCAPE EXTERIOR TRASERO

- 1 Retire y guarde el tornillo que sujeta el motor del ventilador al horno.



- 2 Retire atentamente la unidad del ventilador. Los cables se extenderán lo suficiente para permitirle ajustar la unidad del ventilador.

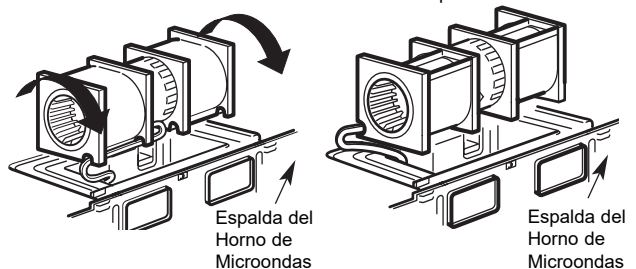
Antes: Aberturas de Aspas del Ventilador Mirando Hacia Adelante



- 3 Gire la unidad del ventilador 90°

Antes del Giro

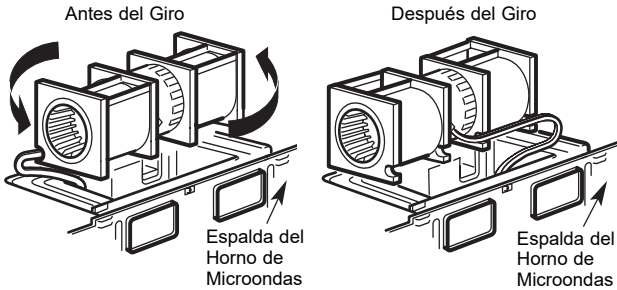
Después del Giro



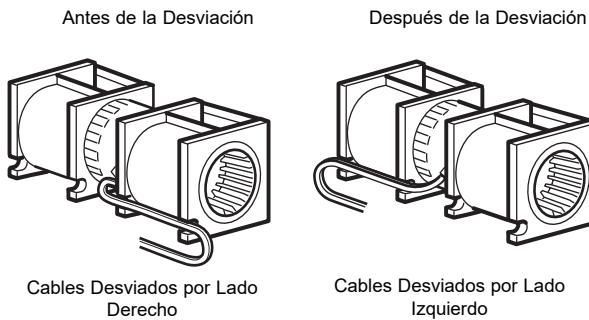
# Instrucciones de Instalación

## B5. ADAPTACIÓN DEL VENTILADOR DE MICROONDAS PARA EL ESCAPE EXTERIOR (continuar)

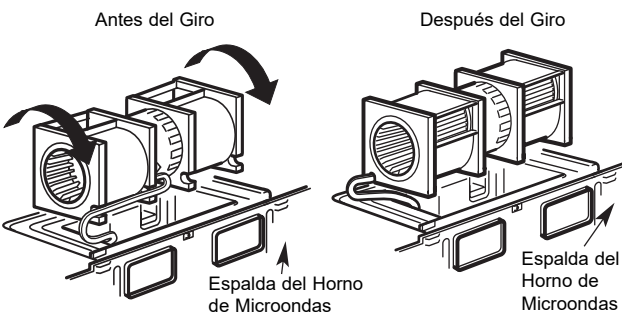
- 4 Gire la unidad del ventilador 180° en sentido antihorario.



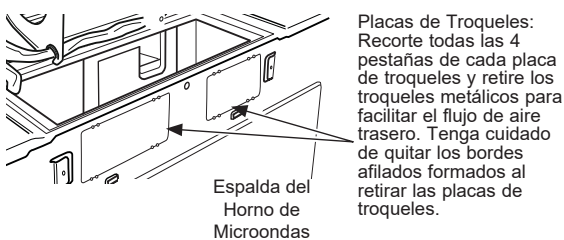
- 5 Retire atentamente los cables de las ranuras. Desvíe los cables a través de las ranuras en el otro lado de la unidad del ventilador.



- 6 Gire la unidad del ventilador 90° para que las aberturas de las aspas del ventilador queden hacia afuera de la espalda del horno.

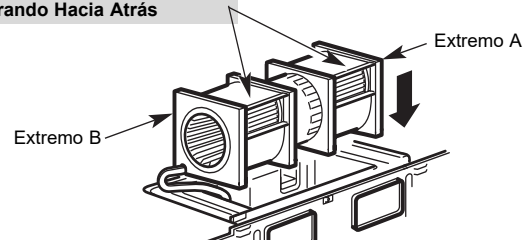


- 7 Retire las placas ciegas en la espalda de la unidad con tijeras. (Para algunos modelos)



- 8 Reponga la unidad del ventilador en la abertura.

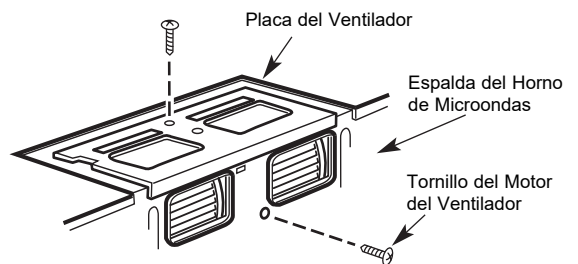
DESPUÉS: Abertura de Aspas del Ventilador Mirando Hacia Atrás



**PRECAUCIÓN:** No tire ni estire los cables de la unidad del ventilador. Compruebe que los cables no estén pellizcados y que estén debidamente asegurados.

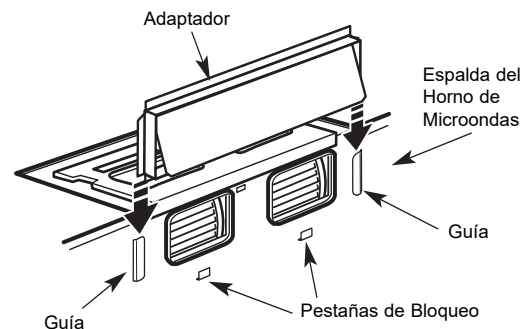
**NOTA:** Las aberturas de escape de la unidad del ventilador deben coincidir con las aberturas de escape en la espalda del horno de microondas.

- 9 Fije la unidad del ventilador al horno de microondas con los tornillos originales.



- 10 Reponga la placa del ventilador en la posición original con los tornillos apretados.

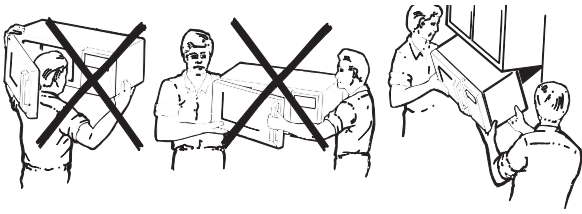
- 11 Conecte el adaptador de escape a la espalda del horno deslizándolo en las guías en la parte superior central de la espalda del horno.



Empuje firmemente hasta que esté en las pestañas de bloqueo más bajo. Asegúrese de que la bisagra del amortiguador esté instalada en la parte superior y pueda oscilar de manera flexible.

# Instrucciones de Instalación

## B6. INSTALACIÓN DEL HORNO DE MICROONDAS DE MICROONDAS



PARA FACILITAR LA INSTALACIÓN Y GARANTIZAR LA SEGURIDAD PERSONAL, SE RECOMIENDA QUE LA **INSTALACIÓN DEL PRODUCTO SEA REALIZADA POR DOS PERSONAS.**

**IMPORTANTE:** No sujete ni use la manija o el protector térmico durante la instalación. No retire los espaciadores de cartón entre el protector térmico y la puerta.

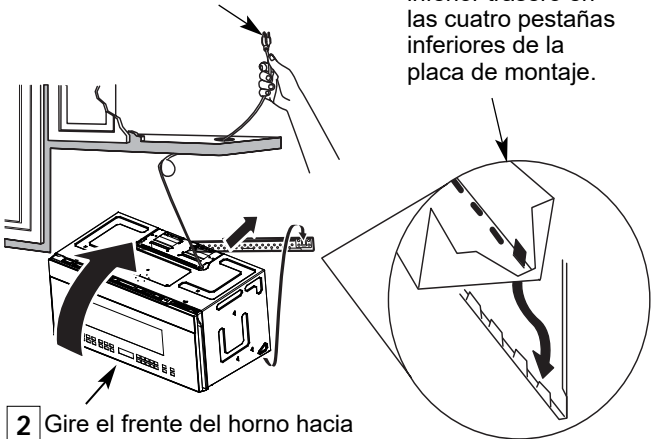
**NOTA:** Si su gabinete es metálico, use el ojal de nilón alrededor del orificio del cable de alimentación para evitar que se corte el cable.

**NOTA:** Es recomendable usar bloques de relleno si el frente del gabinete cuelga debajo del estante inferior del gabinete.

**IMPORTANTE:** En caso de no usar bloques de relleno, se pueden producir daños en la caja debido a un apriete excesivo de los tornillos.

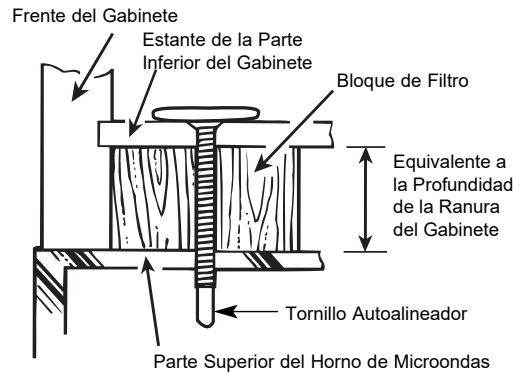
**NOTA:** Al montar el horno de microondas, pase el cable de alimentación a través del orificio en la parte inferior del gabinete superior. Manténgalo ajustado por medio de los pasos 1-3. No pellizque el cable ni levante el horno por tirar del cable.

- 1 Levante el microondas, inclínelo hacia adelante y enganche las ranuras en el borde inferior trasero en las cuatro pestañas inferiores de la placa de montaje.



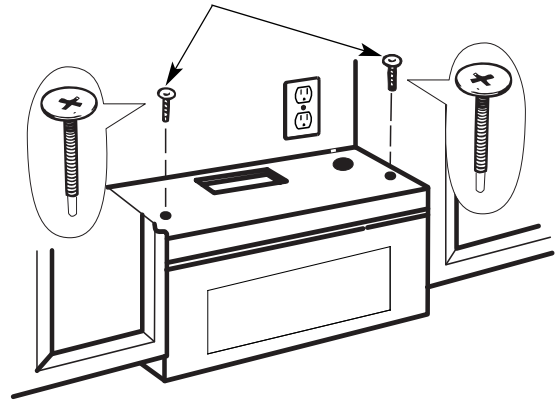
- 2 Gire el frente del horno hacia arriba para que se encuentre contra la parte inferior del gabinete.

- 3 Inserte un tornillo autoalineador a través de uno de los orificios del gabinete superior. Asegure temporalmente el horno por medio de girar el tornillo al menos **dos vueltas completas** después de que las roscas se hayan acoplado. (Será apretada por completo más tarde.) **Asegúrese de mantener apretado el cable de alimentación. Tenga cuidado de no pellizcar el cable, especialmente cuando lo monte al ras de la parte inferior del gabinete.**

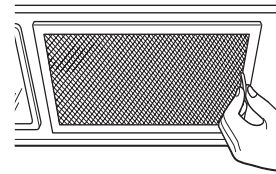


- 4 Fije el horno de microondas al gabinete superior.

- 5 Inserte el segundo tornillo autoalineador a través del orificio restante del gabinete superior. Gire el tornillo dos vueltas completas.



- 7 Apriete los dos tornillos a la parte superior del horno de microondas. (Al apretar los tornillos, sostenga el horno de microondas en su posición contra la pared y el gabinete superior.)



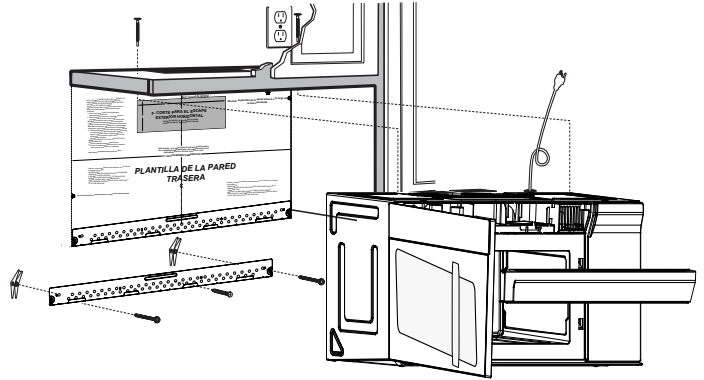
- 8 Instale los filtros de grasa. Consulte el Uso y Cuidado adjunto con el horno de microondas.

# Instrucciones de Instalación

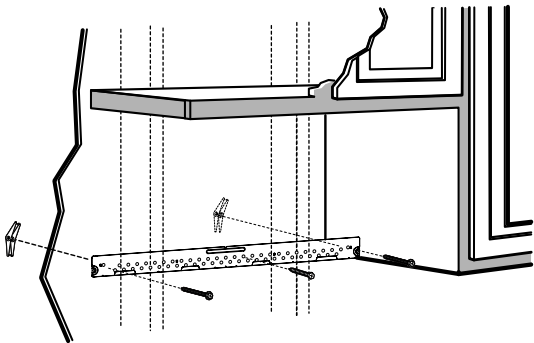
## C RECIRCULACIÓN (Sin Conductos de Ventilación)

### PERSPECTIVA DE INSTALACIÓN

- C1. Fijación de la Placa de Montaje a la Pared
- C2. Preparación del Gabinete Superior
- C3. Inspección de la Placa del Ventilador
- C4. Instalación del Horno de Microondas
- C5. Instalación o Sustitución del Filtro de Carbón

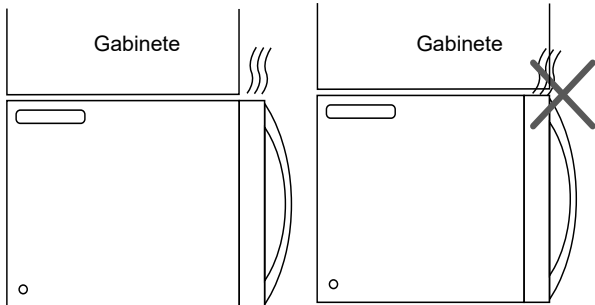


### C1. FIJAR LA PLACA DE MONTAJE A LA PARED



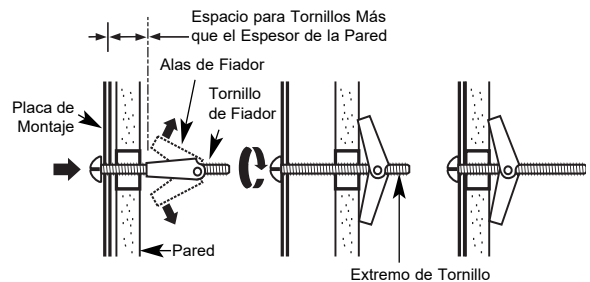
Fije la placa a la pared con tornillos de fiador. Se debe utilizar al menos un tornillo para madera para fijar la placa a un montante de la pared.

**NOTA:** Si la profundidad del gabinete, incluidas las puertas del gabinete, es superior a 13", pues la unidad debe estar separada de la pared por medio de materiales adecuados que soporten 150 libras para permitir la entrada/salida de aire de ventilación superior de manera adecuada.



- 1 Retire las alas de fiador desde los tornillos.
- 2 Inserte los tornillos en la placa de montaje a través de los orificios designados para entrar en el panel de yeso y vuelva a fijar las alas de fiador a  $\frac{3}{4}$ " (19 mm) en cada tornillo.

#### Para usar los tornillos de fiador:



- 3 Ubique la placa de montaje contra la pared e inserte las alas de fiador en los orificios de la pared para instalar la placa.

**NOTA:** Antes de apretar los tornillos de fiador y el tornillo para madera, asegúrese de que la parte inferior de la placa de montaje tenga contacto con la parte inferior de la Plantilla de la pared trasera cuando se empuje contra la pared y que la placa esté debidamente centrada debajo del gabinete.

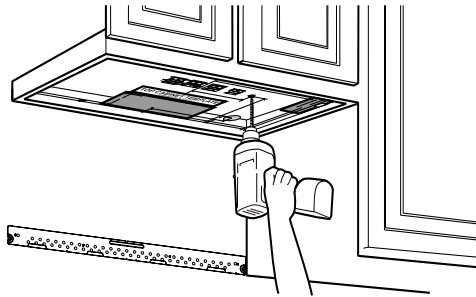
**PRECAUCIÓN:** Tenga cuidado de no pillarse los dedos entre la parte trasera de la placa de montaje y la pared.

- 4 Apriete todos los tornillos. Extraiga la placa de la pared para ayudar a apretar los tornillos.

# Instrucciones de Instalación

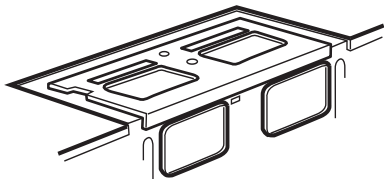
## C2. USO DE LA PLANTILLA DEL GABINETE SUPERIOR PARA PREPARAR EL GABINETE SUPERIOR

Necesita perforar agujeros para los tornillos de soporte superiores y un agujero de largo suficiente para que pase el cable de alimentación.

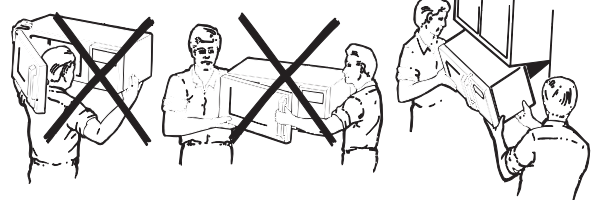


- Lea las instrucciones en la PLANTILLA DEL GABINETE SUPERIOR.
  - Péguelo debajo del gabinete superior.
- NOTA:** Ajuste la plantilla superior según corresponda si el microondas está separado de la pared debido a que la profundidad del gabinete (incluidas las puertas del gabinete) sea más de 13".
- Perfore los orificios de acuerdo con las instrucciones de la PLANTILLA DEL GABINETE SUPERIOR.
- PRECAUCIÓN:** Use las gafas de protección al perforar orificios en la parte inferior del gabinete.

## C3.



## C4. INSTALACIÓN DEL HORNO DE MICROONDAS



PARA FACILITAR LA INSTALACIÓN Y GARANTIZAR LA SEGURIDAD PERSONAL, SE RECOMIENDA QUE LA INSTALACIÓN DEL PRODUCTO SEA REALIZADA POR DOS PERSONAS.

**IMPORTANTE:** No sujete ni use la manija o el protector térmico durante la instalación. No retire los espaciadores de cartón entre el protector térmico y la puerta.

**NOTA:** Si su gabinete es metálico, use el ojal de nilón alrededor del orificio del cable de alimentación para evitar que se corte el cable.

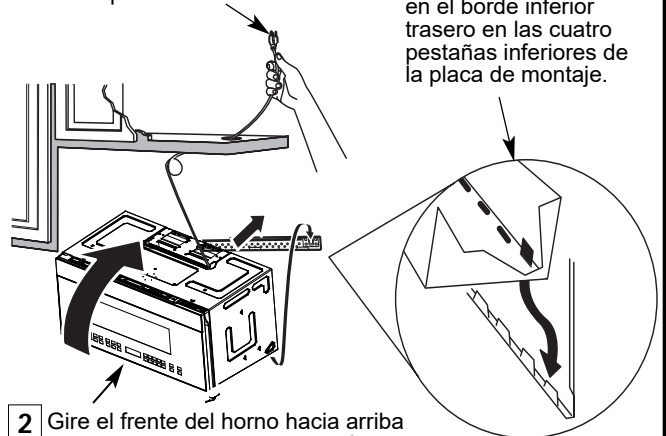
**NOTA:** Es recomendable usar bloques de relleno si el frente del gabinete cuelga debajo del estante inferior del gabinete.

**IMPORTANTE:** En caso de no usar bloques de relleno, se pueden producir daños en la caja debido a un apriete excesivo de los tornillos.

**NOTA:** Al montar el horno de microondas, pase el cable de alimentación a través del orificio en la parte inferior del gabinete superior. Manténgalo ajustado por medio de los pasos 1-3.

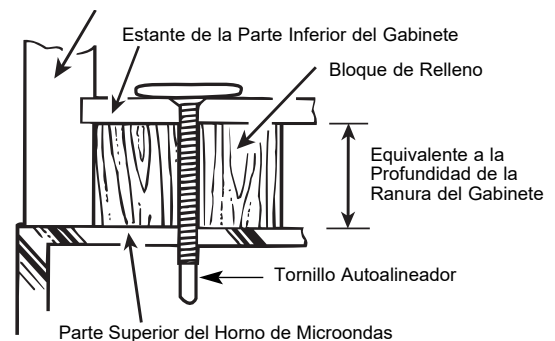
No pellizque el cable ni levante el horno por tirar del cable.

- 1 Levante el microondas, inclínelo hacia adelante y enganche las ranuras en el borde inferior trasero en las cuatro pestañas inferiores de la placa de montaje.



- 2 Gire el frente del horno hacia arriba para que se encuentre contra la parte inferior del gabinete.
- 3 Inserte un tornillo autoalineador a través de uno de los orificios del gabinete superior. Asegure temporalmente el horno por medio de girar el tornillo al menos **dos vueltas completas** después de que las roscas se hayan acoplado. (Será apretada por completo más tarde.) **Asegúrese de mantener apretado el cable de alimentación. Tenga cuidado de no pellizcar el cable, especialmente cuando lo monte al ras de la parte inferior del gabinete.**

Frente del Gabinete



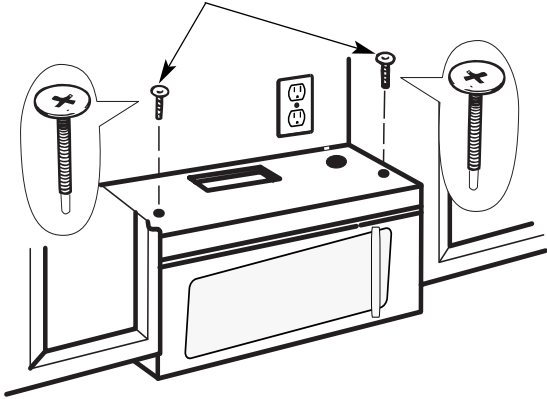
- 4 Fije el horno de microondas al gabinete superior.



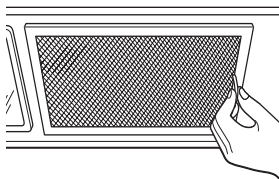
# Instrucciones de Instalación

## C4. INSTALACIÓN DEL HORNO DE MICROONDAS (continuar)

- 5 Inserte el segundo tornillo autoalineador a través del orificio restante del gabinete superior. Gire el tornillo dos vueltas completas.



- 7 Apriete los dos tornillos a la parte superior del horno de microondas. (Al apretar los tornillos, sostenga el horno de microondas en su posición contra la pared y el gabinete superior.)



- 8 Instale los filtros de grasa. Consulte el Uso y Cuidado adjunto con el horno de microondas.

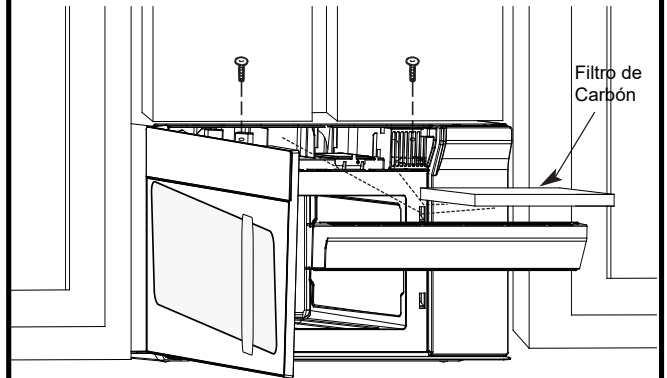
## C5. INSTALACIÓN O SUSTITUCIÓN DEL FILTRO DE CARBÓN (Algunos Modelos)

NOTA: El filtro de carbón viene instalado al salir de fábrica para algunos modelos. Consulte el Uso y Cuidado para saber si el suyo viene instalado al salir de fábrica y para obtener la información sobre la sustitución. Algunos modelos contienen una puerta de acceso al filtro.

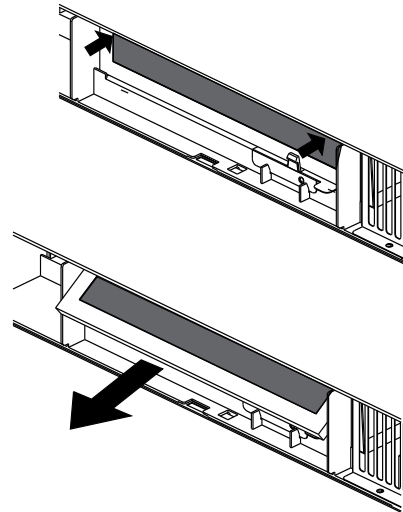
Consulte el Uso y Cuidado para ver si el suyo la tiene. Para modelos sin puerta de acceso al filtro de recirculación, siga los siguientes pasos para sustituir o instalar un filtro de carbón.

- 1 Desenchufe el horno de microondas o desconecte la alimentación.

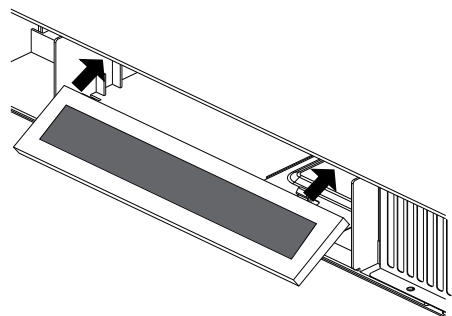
- 2 Abra la puerta del microondas y use un destornillador Phillips #2 para sacar los dos tornillos de montaje de la cubierta de ventilación situados en la parte superior del horno. Extraiga la cubierta de ventilación tirando de ella por la parte superior y luego tirando hacia afuera.



- 3 Retire el filtro de carbón empujando la parte superior del filtro hacia adentro y luego empujelo hacia adelante para que salga de la unidad.

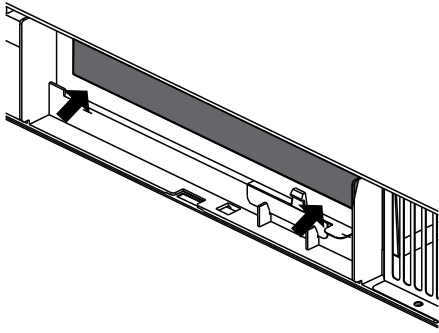


- 4 Deslice la parte superior del nuevo filtro de carbón dentro de la parte superior de la cavidad del filtro.

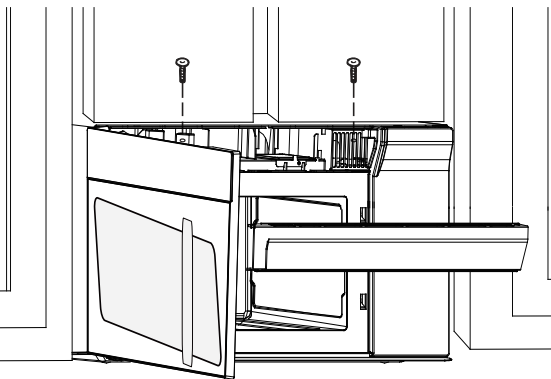


# Instrucciones de Instalación

- 5** Presione la parte inferior del filtro de carbón para colocarlo en la posición correcta.



- 6** Instale nuevamente la cubierta de ventilación empujando la parte inferior en su posición. Empuje la parte superior de ventilación en su posición y manténgalo en su lugar. Use un destornillador Phillips #2 para recuperar los dos tornillos de montaje de la cubierta de ventilación situados en la parte superior del horno.



- 7** Cierre la puerta del horno. Enchufe el horno de microondas o vuelva a conectar la alimentación.

# Instrucciones de Instalación

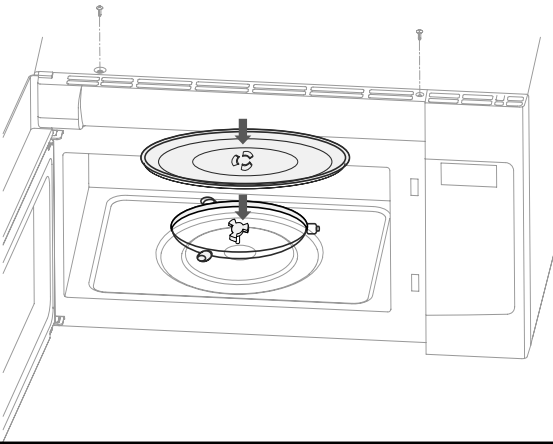
## PRECAUCIONES ANTES DEL USO

- 1.** Compruebe que la unidad se ha instalado de acuerdo con estas instrucciones.

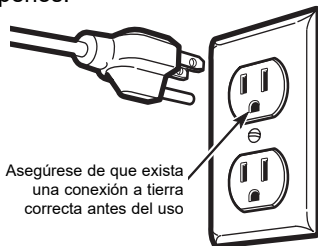


- 2.** Retire todos los materiales de embalaje del horno de microondas.

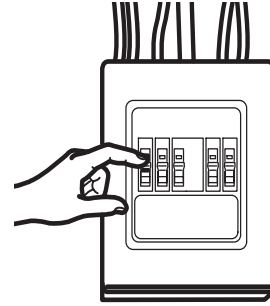
- 3.** Instale el anillo del plato giratorio, el acoplador y la bandeja de vidrio en la cavidad.



- 4.** Enchufe el cable de alimentación en un tomacorriente separado y específico de 15 a 20 amperios.



- 5.** Recupere el fusible de la casa o vuelva a encender el disyuntor.



- 6.** Lea el Manual de USO & CUIDADO.



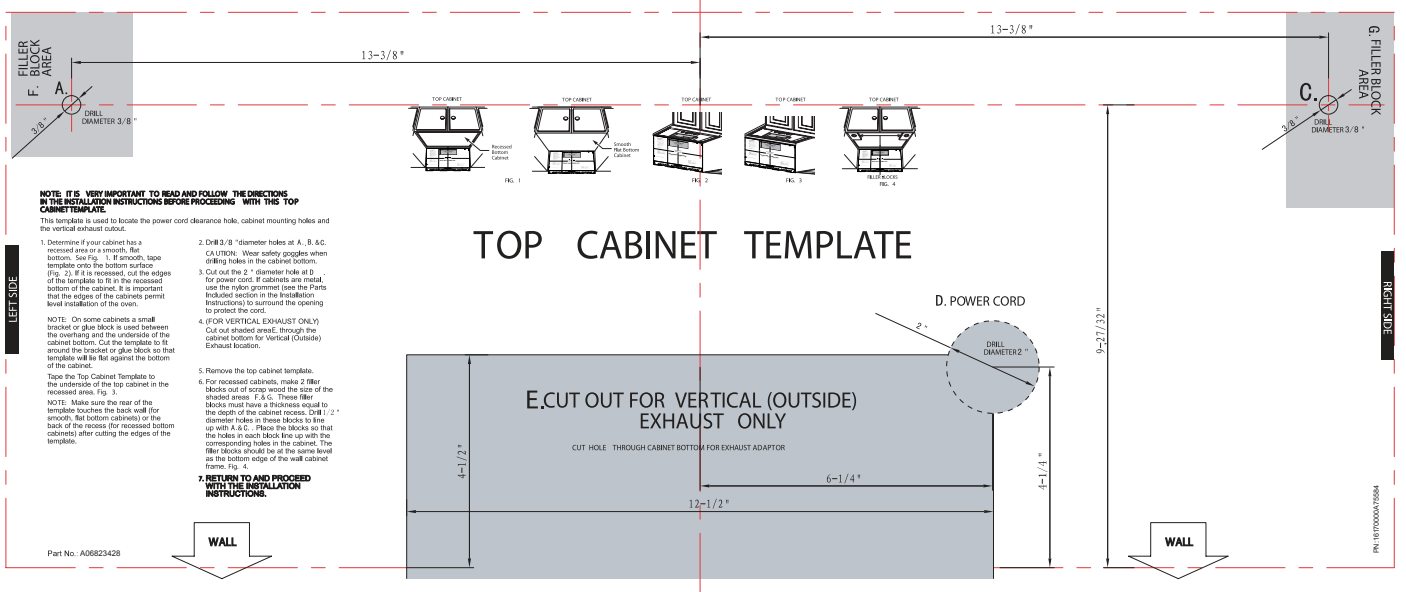
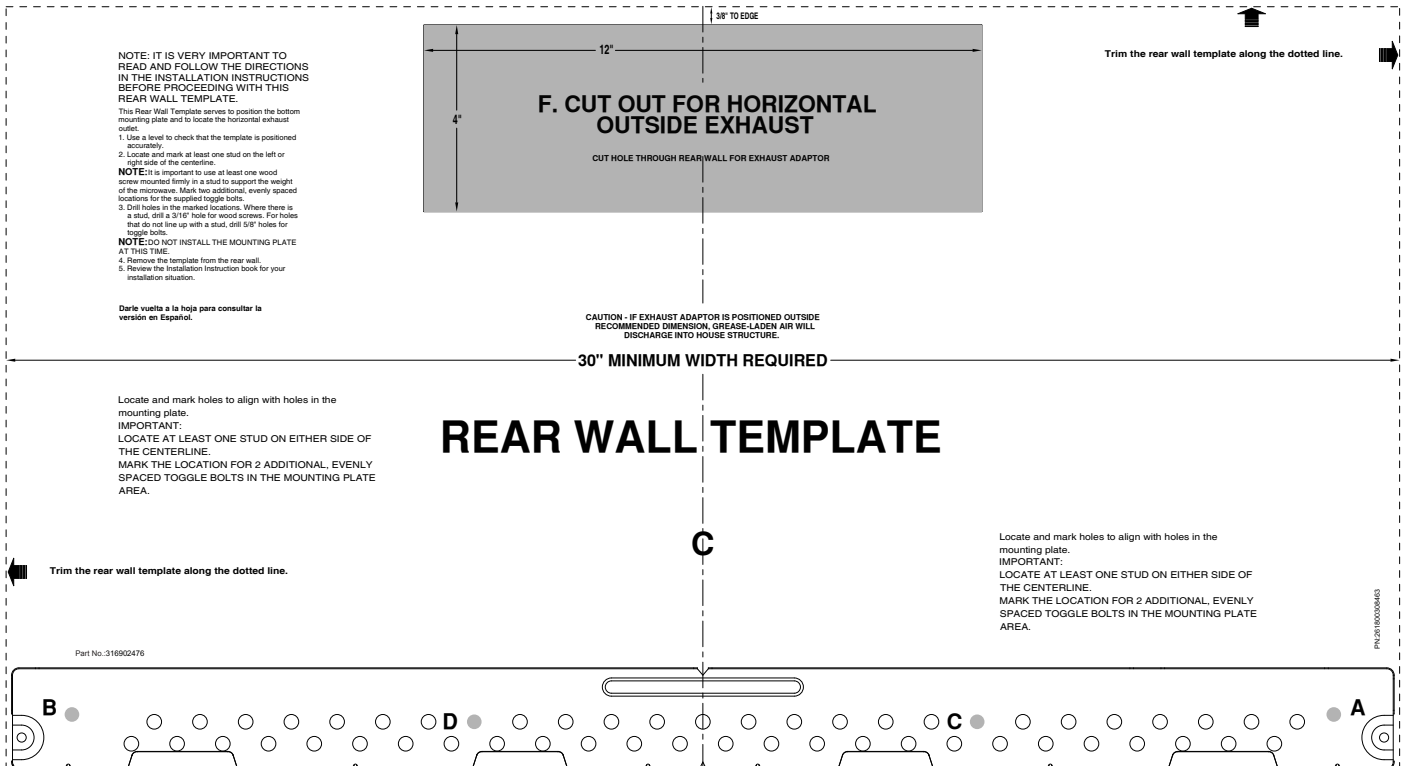
- 7.** GUARDE LAS Manual DE INSTALACIÓN PARA USO DEL INSPECTOR LOCAL.



# Instrucciones de Instalación

## Inspección del funcionamiento

1. Compruebe que la unidad se ha instalado de acuerdo con estas instrucciones.
2. Retire todos los materiales de embalaje del horno de microondas.
3. Recupere el fusible de la casa o vuelva a encender el disyuntor.
4. Enchufe el cable de alimentación en el receptáculo.
5. Lea las instrucciones de operación antes de probar el producto.
6. Encienda el extractor de aire a alta velocidad y confirme que está funcionando con un pañuelo de papel (será adherido al filtro).
7. Para instalaciones con ventilación exterior, confirme que se ha abierto la aleta de escape exterior.
8. Establezca el horno de microondas durante 1 minuto y confirme que el horno está funcionando normalmente usando una taza de agua.
9. Guarde las instrucciones de instalación para uso del inspector eléctrico local.







## **LISTA DE CONTROL DE INSTALACIÓN**

1. Asegúrese de que la unidad ha sido instalada de acuerdo con todas las instrucciones de instalación, el modelo superior. y el modelo de pared.
2. Remueva todo el material de embalaje del horno
3. Conecte el cable de energía.
4. Lea el manual de operación.
5. Conserve las instrucciones de instalación para el uso del inspector eléctrico local.

## **ACCESORIOS**

Revise con su vendedor o pida directamente al centro de accesorios y suministros SHARP.

Llame al 1-800-BE SHARP (237-4277)

1. Filtro de carbón (RK-233). El filtro de carbón se utiliza cuando el sistema de escape del extractor es recirculado.
2. Filtro de grasa (RK-235).

**SHARP®**