

Over-the-Range Microwave Oven: SM01461GS INSTALLATION MANUAL

IMPORTANT SAFETY INSTRUCTIONS

BEFORE YOU BEGIN

Read all instructions thoroughly before installing the Over-the-Range Microwave Oven.

Note to Installer – Leave these instructions with the consumer.

- Skill level – Installation of this appliance requires basic mechanical and electrical skills. We recommend that two people install this microwave oven.
- Proper installation is the responsibility of the installer.
- Product failure due to improper installation is not covered under the Warranty.
- If a new electrical outlet is required, its installation should be completed by a qualified electrician before the Over-the-Range Microwave oven is installed. See ELECTRICAL GROUNDING INSTRUCTIONS section.

Note to Consumer – Keep these instructions for future reference.

- Save these instructions for local inspector's use.
- Observe all governing codes and ordinances.

ELECTRICAL GROUNDING INSTRUCTIONS

THIS APPLIANCE MUST BE PROPERLY GROUNDED TO AVOID SEVERE OR FATAL SHOCK. PLEASE READ CAREFULLY.

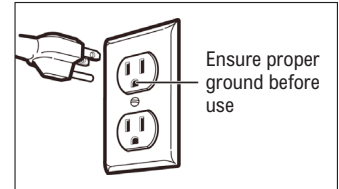
This appliance must be grounded. This oven is equipped with a cord having a grounding wire with a grounding plug. It must be plugged into a wall receptacle that is properly installed and grounded in accordance with the National Electrical Code and local codes and ordinances. In the event of an electrical short circuit, grounding reduces risk of electric shock by providing an escape wire for the electric current.

⚠ WARNING Improper use of the grounding plug can result in risk of electric shock.

The oven is equipped with a 3-prong grounding plug. **NEVER cut or remove the grounding pin from the plug.**

The Power Supply Cord and plug must be connected to a separate 120 Volt AC, 60 Hz, 15 Amp, or more branch circuit, single grounded receptacle. The receptacle should be located inside the cabinet directly above the Microwave Oven/Hood mounting location.

Note: If you have any questions about the grounding or electrical instructions, consult a qualified electrician or serviceperson. Neither Sharp nor the dealer can accept any liability for damage to the oven or personal injury resulting from failure to observe the correct electrical connection procedures.



⚠ CAUTION FOR PERSONAL SAFETY

- Remove the house fuse or open the circuit breaker before beginning installation to avoid severe or fatal shock injury.
- The mounting surface must be capable of supporting the cabinet load, in addition to the added weight of this 50-70 lb (22.6-31.7 kg) product, plus additional oven loads of up to 50 pounds (22.6 kilograms) for a total weight of 100-120 lb (45.2-54.3 kg).
- This product cannot be installed in cabinet arrangements such as an island or a peninsula. It must be mounted to BOTH a top cabinet AND a wall.
- For easier installation and personal safety, we recommend that two people install this microwave oven.

GENERAL INFORMATION





HOOD EXHAUST

Note: Read the next two pages only if you plan to vent your exhaust to the outside. If you plan to recirculate the air back into the room, proceed to page 6.

All ductwork must be metal. DO NOT use plastic duct. Check that all connections are made securely.

OUTSIDE TOP EXHAUST (EXAMPLE ONLY)

The following chart describes an example of one possible ductwork installation.


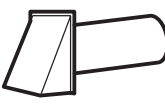


| | DUCT PIECES | EQUIVALENT LENGTH X NUMBER USED | EQUIVALENT LENGTH |
|--|---|---------------------------------|-------------------|
|  |  Roof Cap | 24 ft (7.3 m) x 1 | 24 ft (7.3 m) |
| |  12 ft. Straight Duct (6" Round) | 12 ft (3.7 m) x 1 | 12 ft (3.7 m) |
| |  Rectangular-to-Round Transition Adapter* | 5 ft (1.5 m) x 1 | 5 ft (1.5 m) |
| | Total Length | | 41 ft (12.5 m) |

Equivalent lengths of duct pieces are based on actual tests and reflect requirement for good venting performance with any vent hood.

***IMPORTANT:** If a rectangular-to-round transition adapter is used, the bottom corners of the damper will have to be cut to fit, using the tin snips, in order to allow free movement of the damper.

OUTSIDE REAR EXHAUST (EXAMPLE ONLY)

The following chart describes an example of one possible ductwork installation.

| | DUCT PIECES | EQUIVALENT LENGTH X NUMBER USED | EQUIVALENT LENGTH |
|---|--|---------------------------------|-------------------|
|  |  Wall Cap | 40 ft (12.2 m) x 1 | 40 ft (12.2 m) |
| |  3 Ft. Straight Duct (3/4" x 6" Round) | 3 ft (91.4 cm) x 1 | 3 ft (91.4 cm) |
| |  90° Elbow | 10 ft (4 m) x 2 | 20 ft (6.1 m) |
| | Total Length | | 63 ft (19.2 m) |

Equivalent lengths of duct pieces are based on actual tests and reflect requirement for good venting performance with any vent hood.

Note: Rear or horizontal exhaust is to be used. Care should be taken to align the exhaust with the space between the studs or the wall should be prepared at the time it is constructed by leaving enough space between wall studs to accommodate exhaust.

GENERAL INFORMATION

If you need to install ducts, note that the total duct length of 3 1/4" x 10" (8.3 x 25.4 cm) rectangular or 6" (15.2 cm) diameter round duct should not exceed 140 equivalent feet (42.7 m).

Outside ventilation requires a HOOD EXHAUST DUCT. Read the following carefully.

It is important that venting be installed using the most direct route and with as few elbows as possible. This ensures clear venting of exhaust and helps prevent blockages. Also, make sure dampers swing freely and nothing is blocking the ducts.

EXHAUST CONNECTION

The hood exhaust has been designed to connect with a standard 3 1/4" x 10" (8.3 x 25.4 cm) rectangular duct.

If a round duct is required, a rectangular-to-round transitioning adapter must be used. Do not use less than a 6" (15.2 cm) diameter duct.

MAXIMUM DUCT LENGTH


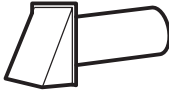


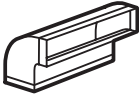
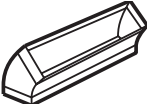
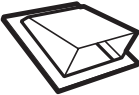

For satisfactory air movement, the total duct length of 3 1/4" x 10" (8.3 x 25.4 cm) rectangular or 6" (15.2 cm) diameter round duct should not exceed 140 equivalent feet.

ELBOWS, TRANSITIONS, WALL AND ROOF CAPS, ETC.

Elbows, adapters, wall and roof caps, etc. present additional resistance to air flow and are equivalent to a section of straight duct which is longer than their actual physical size. When calculating the total length, add the equivalent lengths of all transitions and adapters plus the length of all straight duct sections. The chart on the right shows the approximate measurement of equivalent length of some typical ductwork parts.



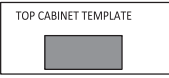
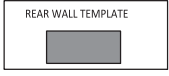


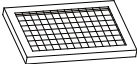
Use the values in the chart for calculating total ductwork, which should be less than 140 equivalent feet (42.7 m). Equivalent lengths of duct pieces are based on actual tests and reflect requirements for good venting performance with any vent hood.

IMPORTANT: If a rectangular-to-round transition adapter is used, the bottom corners of the damper will have to be cut to fit, using the tin snips, in order to allow free movement of the damper.



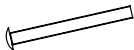
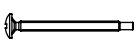



| DUCT PIECES | EQUIVALENT LENGTH X NUMBER USED | EQUIVALENT LENGTH |
|---|---------------------------------|--------------------|
| | EXAMPLE ONLY (VALUES) | |
|  Rectangular-to-Round Transition Adapter | 5 ft (1.5 m) x (1) | 5 ft (1.5 m) |
|  Wall Cap | 40 ft (12.19 m) x (1) | 40 ft (12.19 m) |
|  90° Elbow | 10 ft (3 m) x (1) | 10 ft (3 m) |
|  45° Elbow | 5 ft (1.5 m) x (1) | 5 ft (1.5 m) |
|  90° Elbow | 25 ft (7.6 m) x (1) | 25 ft (7.6 m) |
|  45° Elbow | 5 ft (1.5 m) x (1) | 5 ft (1.5 m) |
|  Roof Cap | 24 ft (7.3 m) x (1) | 24 ft (7.3 m) |
|  Straight Duct (3 1/4" x 6" Round) | 1 ft (30.5 cm) x (5) | 5 ft (1.5 m) |
| Example Total Ductwork | | 119 ft (36.3 m) |

GENERAL INFORMATION

PARTS INCLUDED

| PART NAME & PART CODE | | QTY. |
|---|---|------|
|  | Mounting Plate 213259000685 | 1 |
|  | Exhaust Adapter 213999001159 | 1 |
|  | Top Cabinet Template 525049000030 | 1 |
|  | Rear Wall Template 525049000042 | 1 |
|  | Installation Instructions TINSKB315MRR0 | 1 |
|  | Separately Packed Grease Filter 213999001028 | 2 |
|  | Charcoal Filter 213999001066 | 1 |






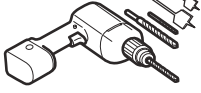




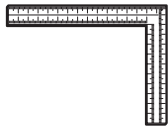


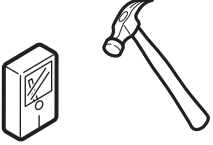
INSTALLATION ACCESSORIES

| PART NAME PART CODE 203129000066 | | QTY. |
|---|---|------|
|  | Lag Screw (1/4" x 2" / 0.63 x 5.1 cm) | 2 |
|  | Wing Nut | 2 |
|  | Toggle Bolt (3/16" x 3" / 0.5 x 7.6 cm) | 2 |
|  | Cabinet Mounting Bolt (1/4" x 3" / 0.6 x 7.6 cm) | 2 |
|  | Nylon Grommet (for metal cabinets) | 1 |
|  | Washer | 2 |
|  | Sheet Metal Screw | 2 |

You will find the installation accessories contained in a packet with the unit. Check to make sure you have all these parts.

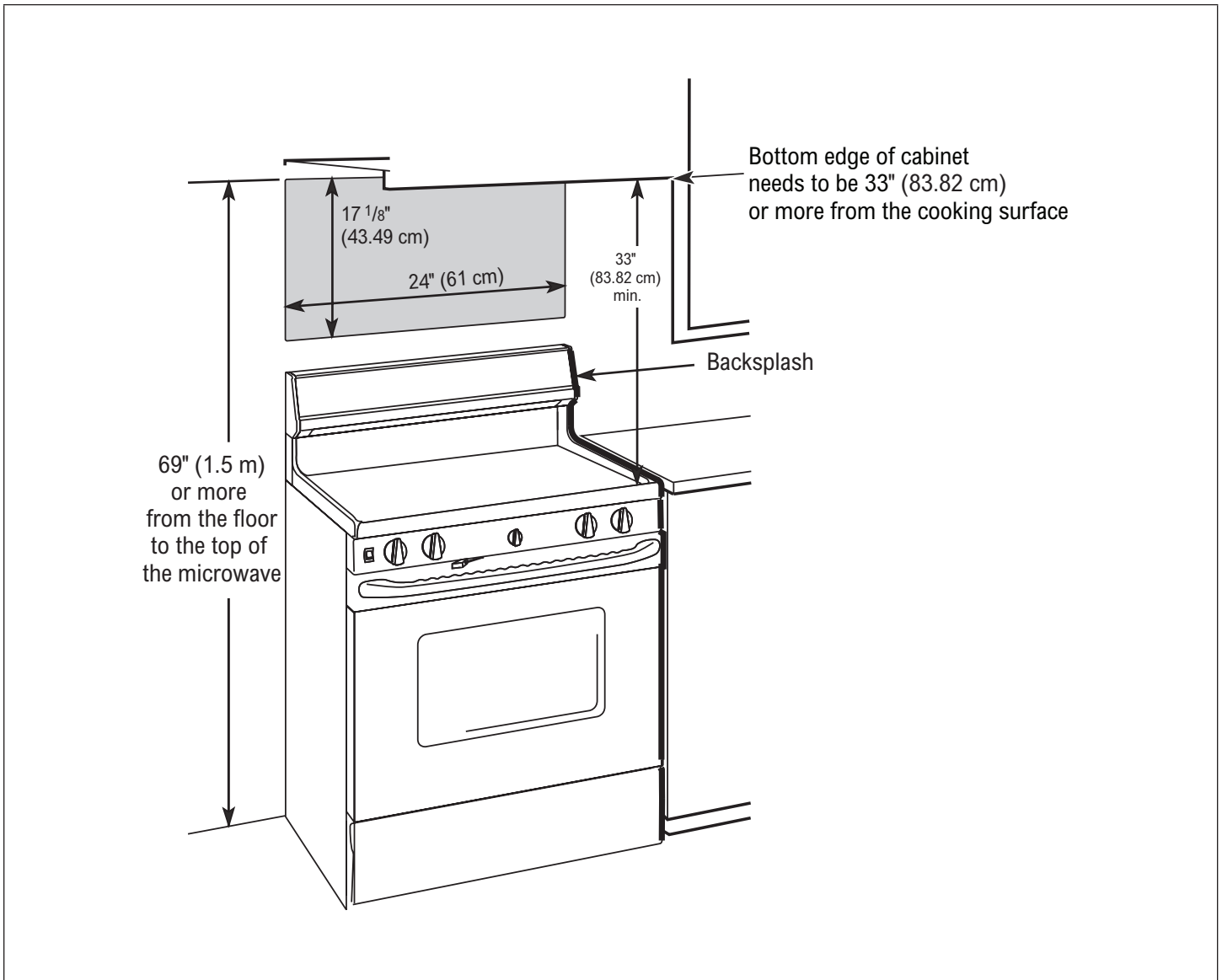
Note: Some extra parts are included.

TOOLS YOU WILL NEED

| | | |
|--|---|--|
|  |  |  |
| #1 and #2 Phillips screwdrivers | Pencil | Ruler or tape measure straight edge |
|  |  |  |
| Tin snips (to cut damper, if needed) | Scissors (to cut template, if needed) | Electric drill with 3/16", 1/2" and 5/8" bits |
|  |  |  |
| Gloves | Safety goggles | Duct and masking tape |
|  |  |  |
| Saw level (saber, hole, or keyhole) | Carpenter square (optional) | Filler blocks or scrap wood pieces (for top cabinet spacing in recessed bottom cabinet installations, if needed) |
|  | |  |
| Level | | Edge-to-edge stud finder or Hammer (optional) |

GENERAL INFORMATION

MOUNTING SPACE



Notes:

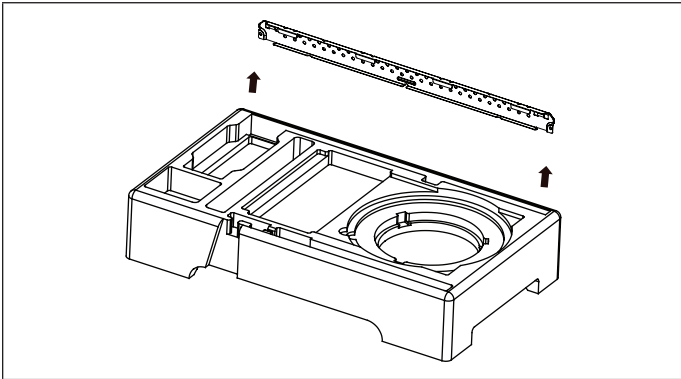
- The space between the cabinets must be 24" (61 cm) wide and free of obstructions.
- If you are going to vent your microwave oven to the outside, see Hood Exhaust Section for exhaust duct preparation.
- When installing the microwave oven beneath smooth, flat cabinets, be careful to follow the instruction for power cord clearance. Make sure that you leave enough space for the power cord clearance.

STEP-BY-STEP INSTALLATION GUIDE

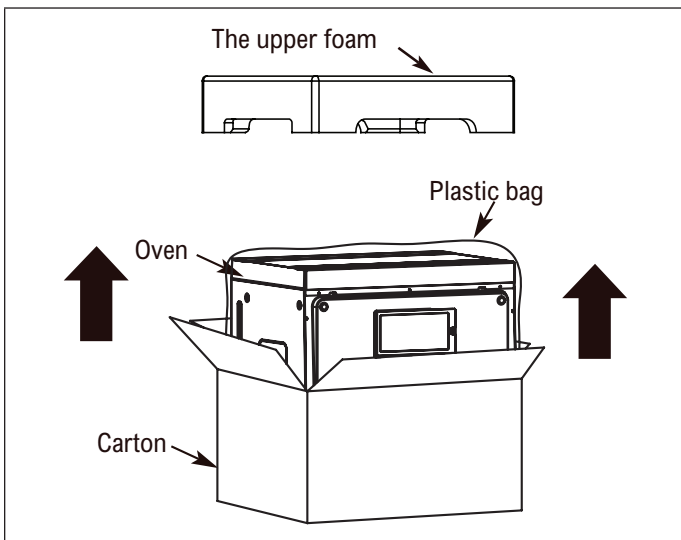
PLACEMENT OF THE MOUNTING PLATE

A. REMOVE THE MICROWAVE OVEN AND MOUNTING PLATE FROM CARTON

1. Open the carton and remove the upper foam from the box, but remember to keep the accessories.



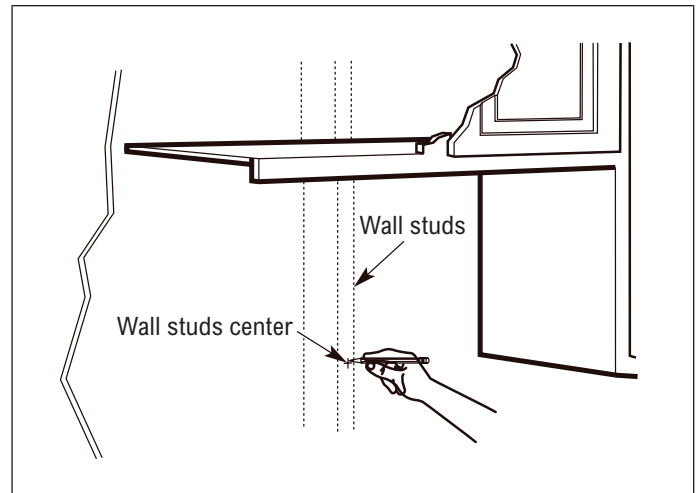
2. Pull the oven out of the carton and remove the plastic bag carefully.
3. Take the mounting bracket out from the upper foam.



B. FIND THE WALL STUDS

THE MICROWAVE MUST BE MOUNTED TO AT LEAST ONE WALL STUD.

1. Find the wall studs using either a wall stud finder (a magnetic device for locating nails) or a hammer to tap lightly across the mounting surface to find a solid sound, which indicates a wall stud location.



2. After locating the stud(s), find the center by probing the wall with a small nail to find the edges of the wall stud.
3. Place a mark halfway between the edges. The center of any adjacent wall studs should be 16" (40.6 cm) or 24" (61 cm) from this mark.
4. Draw a line down the center of the wall studs.

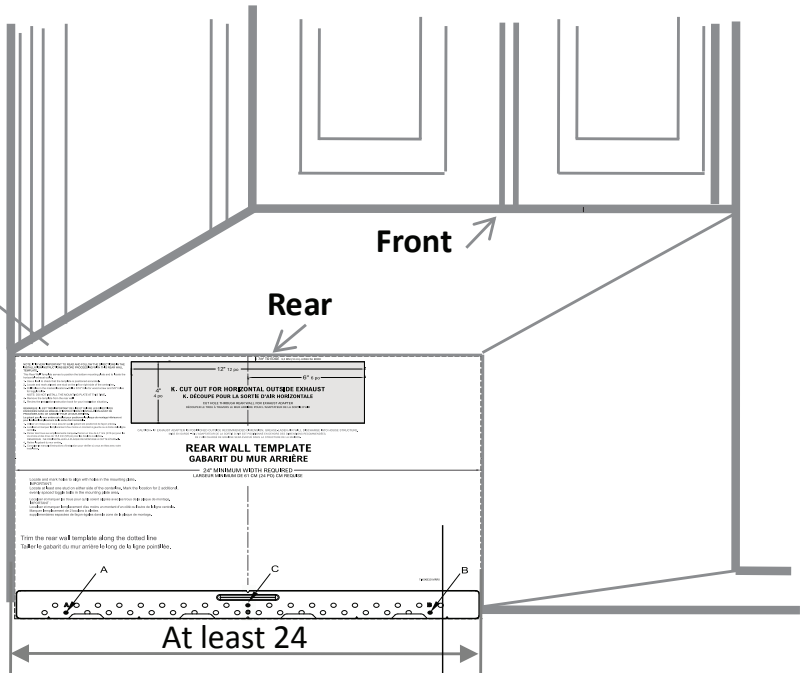
STEP-BY-STEP INSTALLATION GUIDE

C. DETERMINE TOP LINE OF REAR WALL TEMPLATE LOCATION UNDER YOUR CABINET

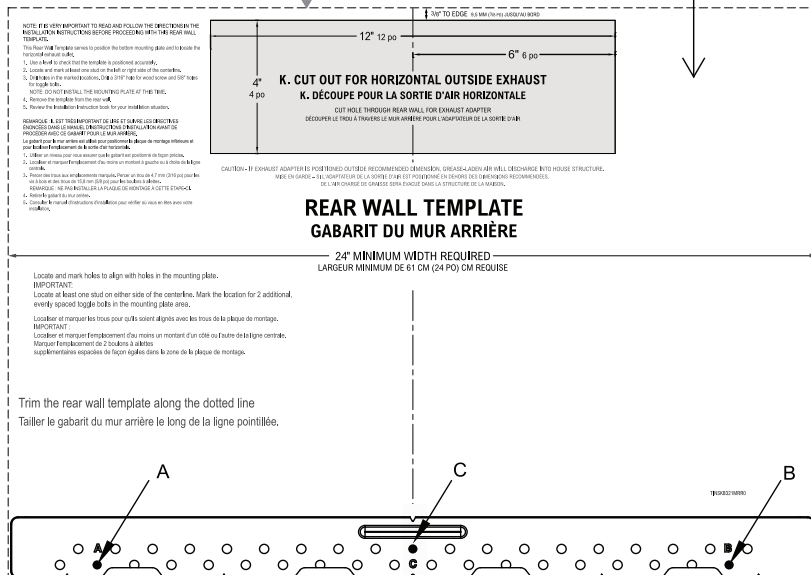
The bottom of the cabinet has three types:

BENEATH FLAT BOTTOM CABINET

TOP LINE OF REAR WALL TEMPLATE
Must align with cabinet bottom



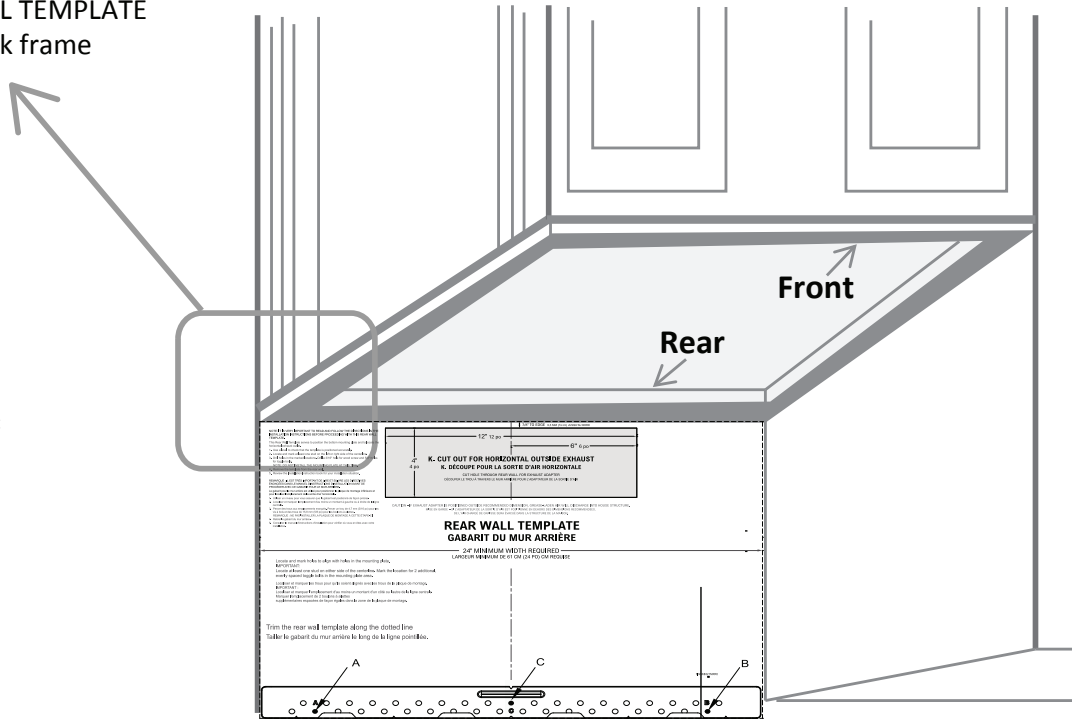
TOP LINE OF REAR WALL TEMPLATE



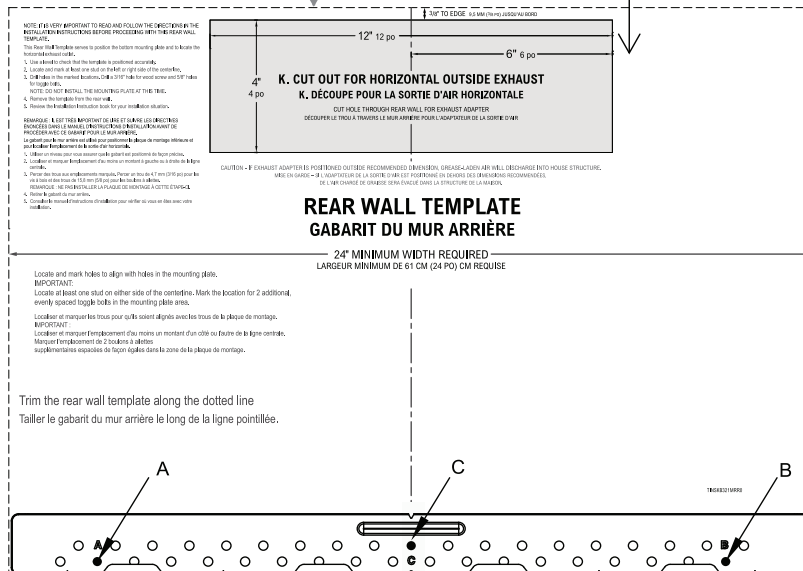
STEP-BY-STEP INSTALLATION GUIDE

BENEATH FRAMED RECESSED CABINET

TOP LINE OF REAR WALL TEMPLATE
Must align with the back frame
of cabinet bottom



TOP LINE OF REAR WALL TEMPLATE



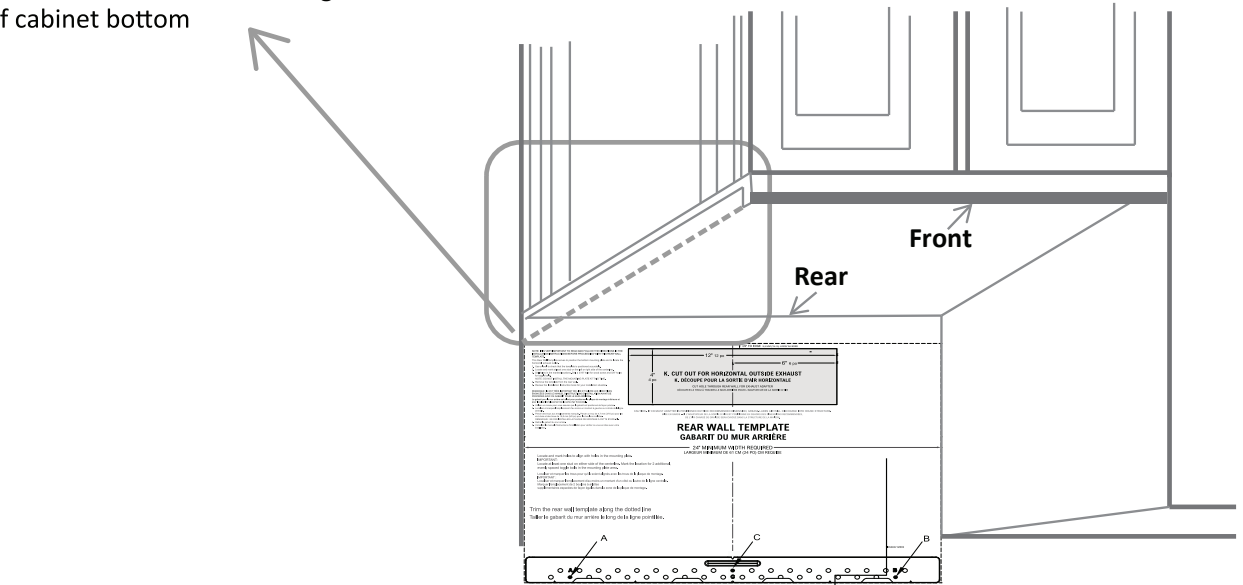
STEP-BY-STEP INSTALLATION GUIDE

BENEATH FRAMED RECESS BOTTOM CABINET WITH FRONT OVERHANG

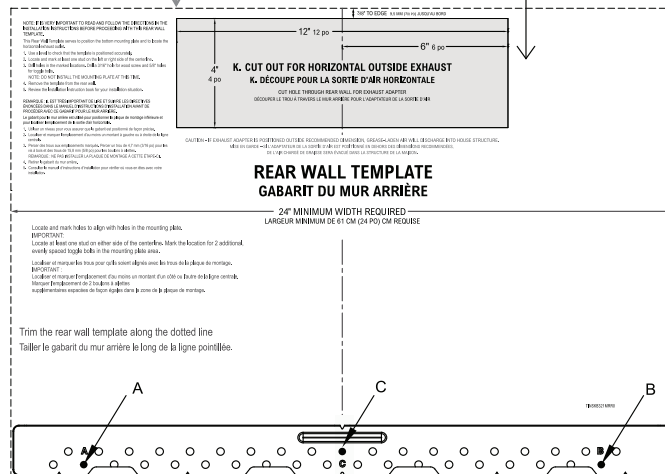
TOP LINE OF REAR WALL TEMPLATE

Must align with below cabinet bottom the same distance as the front overhang of cabinet bottom.

Below cabinet bottom the same distance as the front overhang of cabinet bottom



TOP LINE OF REAR WALL TEMPLATE



STEP-BY-STEP INSTALLATION GUIDE

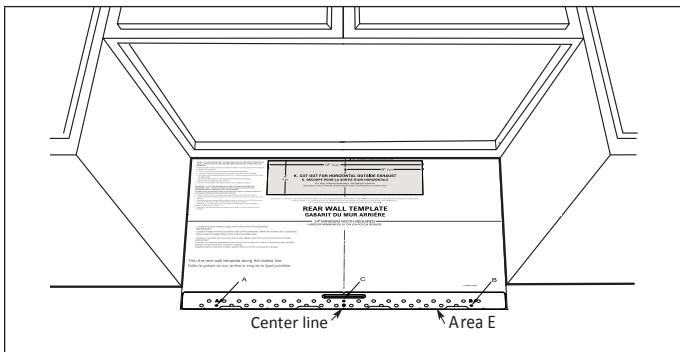
THE MICROWAVE MUST BE LEVEL

Use a level to make sure the cabinet bottom is level. If the cabinets have a front overhang only, with no back or side frame, the top line of Rear Wall Template must align with below cabinet bottom, the same distance as the front overhang depth. This will keep the microwave level.

1. Measure the inside depth of the front overhang.
2. Draw a horizontal line on the back wall, an equal distance below the cabinet bottom as the inside depth of the front overhang.
3. For this type of installation with front overhang only, align top line of Rear Wall Template with this horizontal line, not touching the cabinet bottom as described in step D.

Note: Your cabinets may have decorative trim that interferes with the microwave installation. Remove the decorative trim to install the microwave properly and to make it level.

D. ALIGN TOP LINE OF REAR WALL TEMPLATE



CAUTION Wear gloves to avoid cutting fingers on sharp edges.

1. Using tape measure, draw a vertical line on the wall at the center of the 24" (61 cm) wide space.
2. Tape the Rear Wall Template on the cabinet wall, align the center markers on the Rear Wall Template to the center line on wall, making sure it is level and that the top line of the Rear Wall Template is butted up against the bottom edge of the upper cabinet.
3. While taping the Rear Wall Template on the wall, draw circles on the wall at hole A, B, C (see illustration above/actual plate marked with arrows). THREE HOLES MUST BE USED FOR MOUNTING. (If there are 2 wall studs in right and left side based on center line, four holes must be used for mounting.)
4. Remove the Rear Wall Template and check the marking based on the actual mounting plate (center line, holes A, B, C).
5. Drill holes on the circle marks (A, B, C). Drill a $\frac{3}{16}$ " (4.7 mm) hole at C for lag screw and two $\frac{5}{8}$ " (15.88 mm) holes at A and B for toggle bolts.

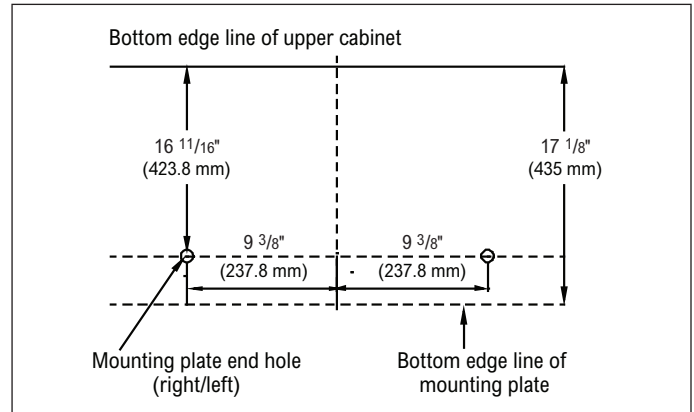
Note: DO NOT MOUNT THE PLATE AT THIS TIME.

6. If the Rear Wall Template is damaged or unusable, measure and mark the wall with the dimensions described in step E.

E. MARK REAR WALL OF THE CABINET WITHOUT REAR WALL TEMPLATE

1. The Bottom edge line of Mounting Plate must be 17 $\frac{1}{8}$ " (435 mm) from the bottom edge line of upper cabinet and must be level.

2. Mounting plate end holes must be 16 $\frac{11}{16}$ " (423.8 mm) from the bottom edge line of upper cabinet and must be on a equal line with each other. They must each be 9 $\frac{3}{8}$ " (237.8 mm) from the center line.

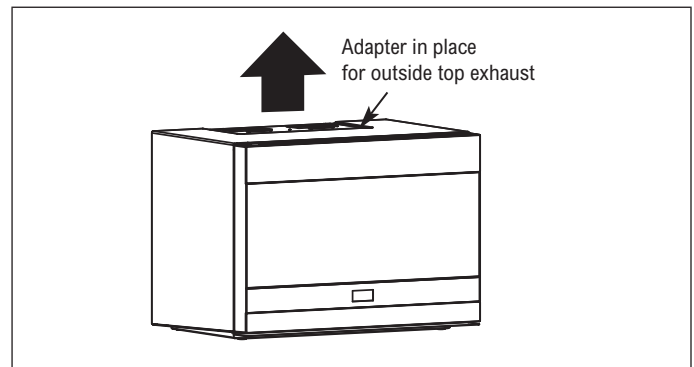


INSTALLATION TYPES (CHOOSE A, B OR C)

This microwave oven is designed for adaptation to the following three types of ventilation:

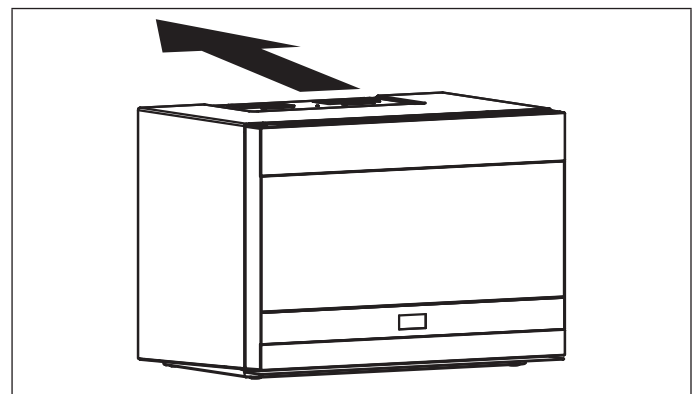
A. OUTSIDE TOP EXHAUST (VERTICAL DUCT)

See page 11.



B. OUTSIDE REAR EXHAUST (HORIZONTAL DUCT)

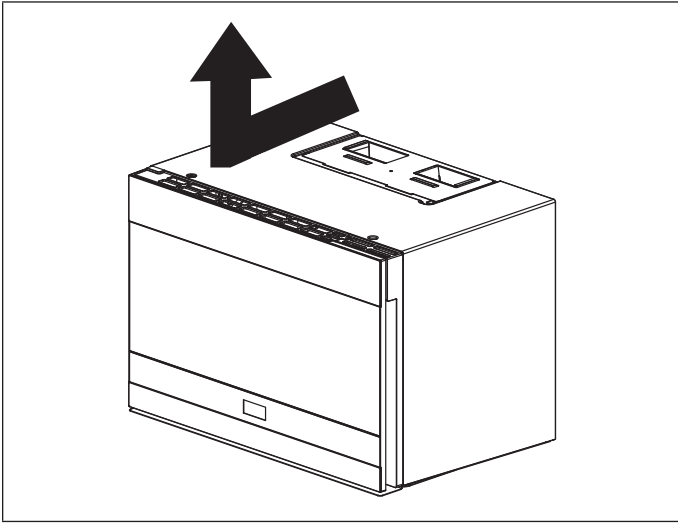
See page 13.



STEP-BY-STEP INSTALLATION GUIDE

C. RECIRCULATING (NON-VENTED DUCTLESS)

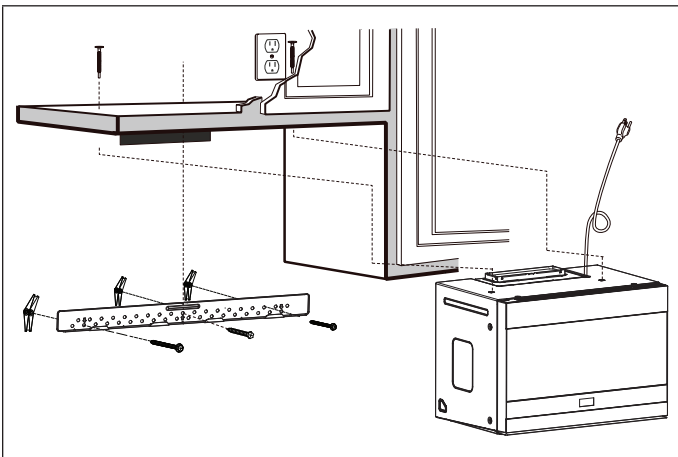
See page 17.



A. OUTSIDE TOP EXHAUST (VERTICAL DUCT) DEFAULT

Installation overview

- A1. Attach the mounting plate to the wall
- A2. Use Top Cabinet Template for preparation of top cabinet
- A3. Check for proper damper operation
- A4. Mount the microwave oven
- A5. Adjust the exhaust adapter
- A6. Connect ductwork

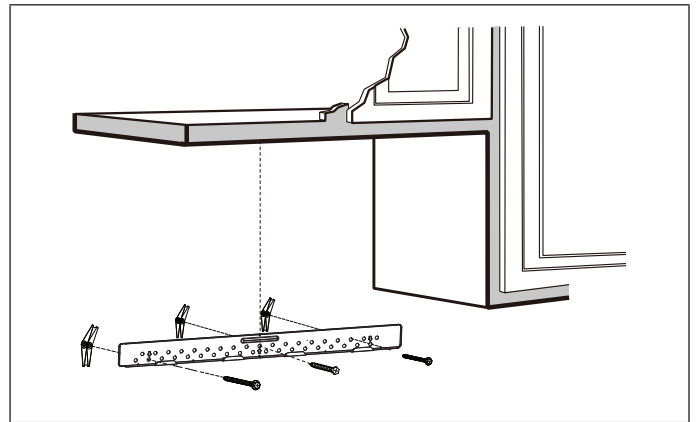


A1. ATTACH MOUNTING PLATE TO THE WALL

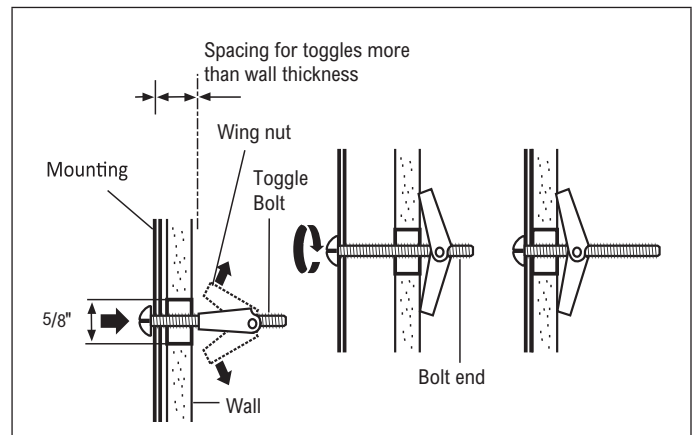
Attach the mounting plate to the wall using the wing nuts and toggle bolts ($\frac{3}{16}$ " x 3" / 0.5 x 7.6 cm). At least one lag screw must be used to attach the mounting plate to a wall stud.

1. Insert the toggle bolts ($\frac{3}{16}$ " x 3" / 0.5 x 7.6 cm) into the mounting plate through the holes designed to go into drywall and attach the wing nuts to $\frac{3}{4}$ " (1.9 cm) onto each toggle bolt ($\frac{3}{16}$ " x 3" / 0.5 x 7.6 cm).
2. Place the mounting plate against the wall and insert the wing nuts into the holes in the wall to mount the plate.

CAUTION Be careful to avoid pinching fingers between the back of the mounting plate and the wall.



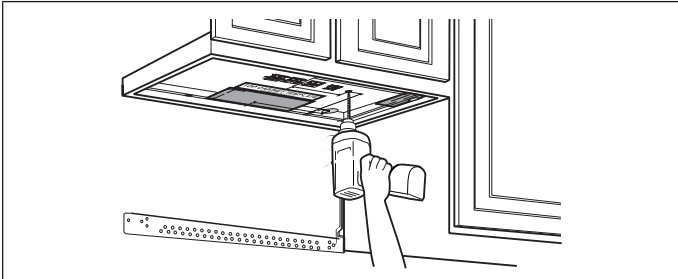
3. Tighten all bolts. Pull the mounting plate away from the wall to help tighten the bolts.



STEP-BY-STEP INSTALLATION GUIDE

A2. USE TOP CABINET TEMPLATE FOR PREPARATION OF TOP CABINET

Drill holes for the top support screws, a hole large enough for the power cord to fit through and a cutout large enough for the exhaust adapter.

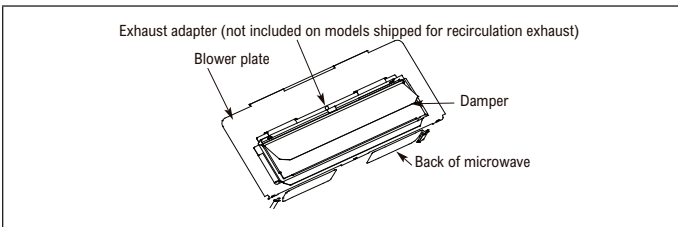


1. Read the instructions on the Top Cabinet Template.
2. Tape the template underneath the top cabinet bottom.
3. Drill the holes, following the instructions on the Top Cabinet Template.

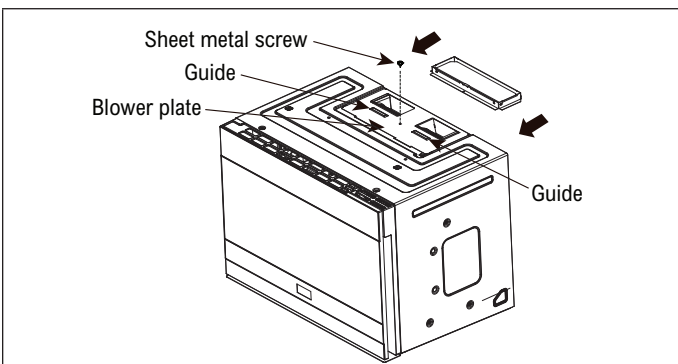
CAUTION Wear safety goggles when drilling holes in the cabinet bottom.

A3. CHECK FOR PROPER DAMPER OPERATION

1. Place the microwave in its upright position with the top of the unit facing up.
2. The exhaust adapter is only used for top exhaust and rear outside exhaust. The exhaust adapter is not used on models vented for recirculation exhaust.
3. Make sure tape securing damper is removed and damper pivots easily before mounting microwave.



4. Attach the exhaust adapter to the blower plate by sliding it into the guides. Secure the adapter with one Sheet Metal Screw provided.



5. You will need to make adjustment to ensure proper alignment with your house exhaust duct after the microwave is installed.

A4. MOUNT THE MICROWAVE OVEN

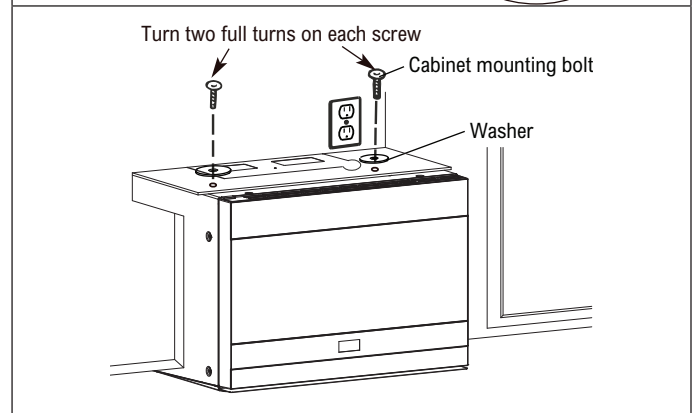
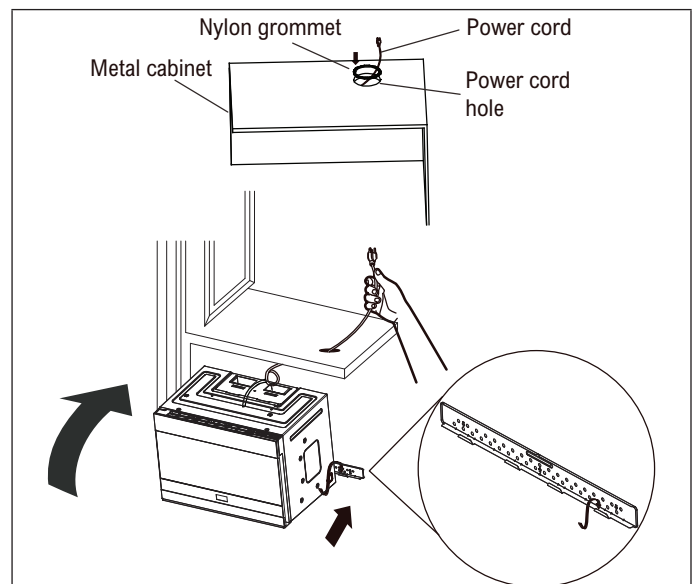
FOR EASIER INSTALLATION AND PERSONAL SAFETY, WE RECOMMEND THAT TWO PEOPLE INSTALL THIS MICROWAVE OVEN.

IMPORTANT: Do not grip or use handle during installation. If filler blocks are not used, outer case damage may occur from over tightening screws.

Note: If your cabinet is metal, use the nylon grommet around the power cord hole to prevent cutting of the cord. We recommend using filler blocks if the cabinet front hangs below the cabinet bottom shelf.

When mounting the microwave oven, thread power cord through hole in bottom of top cabinet. Keep it tight throughout steps 1-4. Do not pinch cord or lift oven by pulling cord.

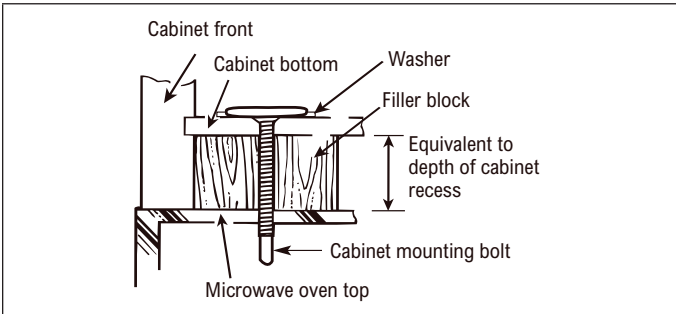
1. Lift microwave, tilt it forward and hook slots at back bottom edge onto four lower tabs of mounting plate.
2. Rotate front of oven up against cabinet bottom.
3. Attach the microwave oven to the top cabinet.
4. Insert two cabinet mounting bolts ($1/4" \times 3" / 0.6 \times 7.6 \text{ cm}$) through outer top cabinet holes. Temporarily secure the oven by turning the screw at least two full turns after the threads have engaged. (It will be completely tightened later.) Be sure to keep power cord tight. Be careful not to pinch the cord, especially when mounting flush to the bottom of cabinet.



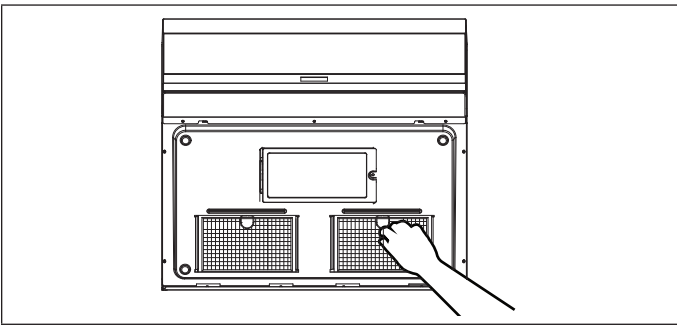
STEP-BY-STEP INSTALLATION GUIDE

The Filler Block is only used for recessed cabinet and front overhang cabinet (see the type of the cabinet on page 8 - 9). Place the Filler Block to the cabinet bottom before installing the oven.

5. Tighten the outer two screws to the top of the microwave oven. While tightening screws, hold the microwave oven in place against the wall and the top cabinet.

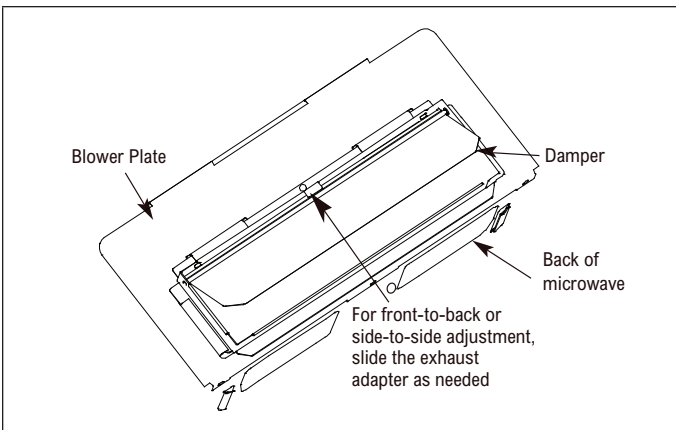


6. Install grease filters. See the Operation Manual packed with the microwave.



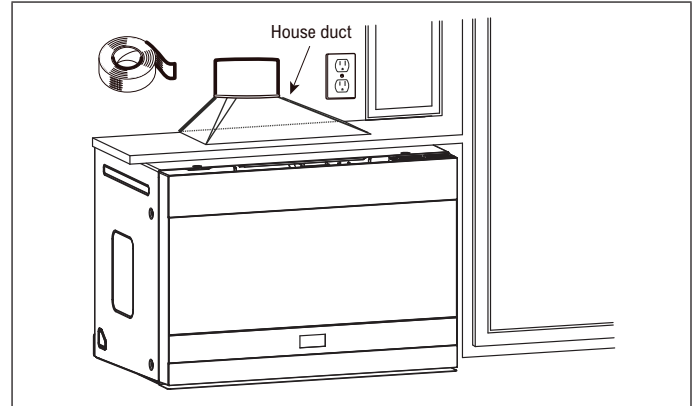
A5. ADJUST THE EXHAUST ADAPTER

Open the top cabinet and adjust the exhaust adapter to connect to the house duct.



A6. CONNECT DUCTWORK

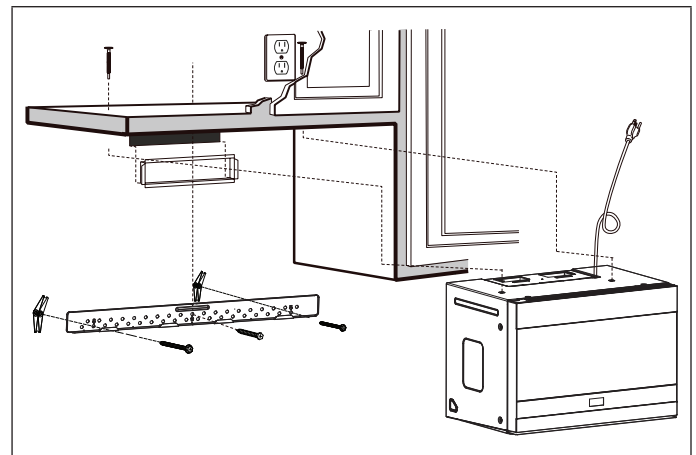
1. Extend the house duct down to connect to the exhaust adapter.
2. Seal exhaust duct joints using duct tape.



B. OUTSIDE REAR EXHAUST (HORIZONTAL DUCT)

Installation overview

- B1. Prepare the Rear Wall Template for outside back exhaust.
- B2. Attach the mounting plate to the wall.
- B3. Use Top Cabinet Template for preparation of top cabinet.
- B4. Adapt microwave blower for outside back exhaust.
- B5. Mount the microwave oven.

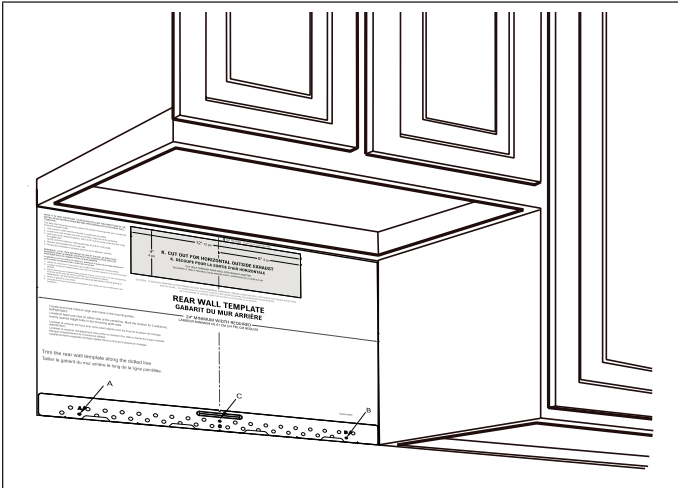


STEP-BY-STEP INSTALLATION GUIDE

B1. PREPARE THE REAR WALL TEMPLATE FOR OUTSIDE BACK EXHAUST

You need to cut an opening (12" x 4" / 30.5 x 10.2 cm rectangular hole) in the Rear Wall Template for outside exhaust.

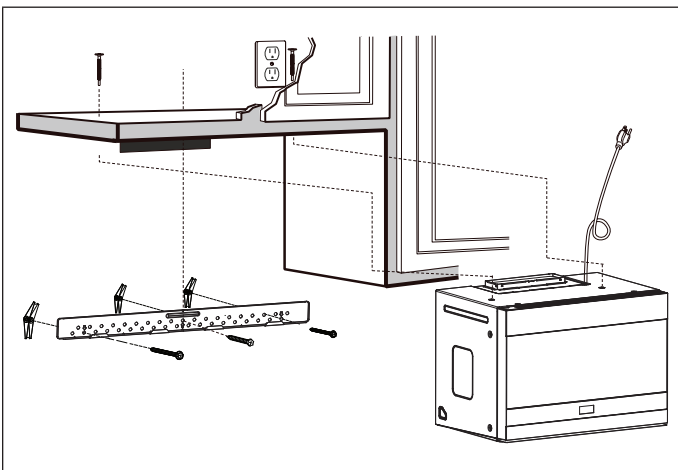
1. Read the instructions on the Rear Wall Template.
2. Tape it to the rear wall, lining up with the holes previously drilled for holes A and B in the wall plate.
3. Cut the opening, following the instructions of the Rear Wall Template.



B2. ATTACH MOUNTING PLATE TO THE WALL

Attach the mounting plate to the wall using the wing nuts and toggle bolts (3/16" x 3" / 0.5 x 7.6 cm). At least one lag screw must be used to attach the mounting plate to a wall stud.

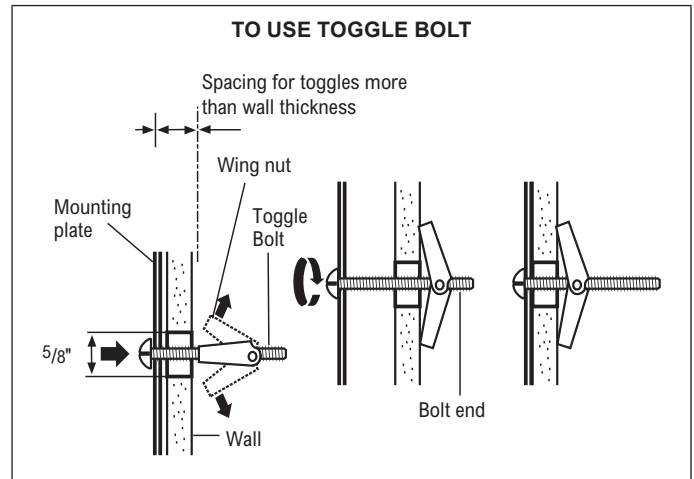
1. Insert the toggle bolts (3/16" x 3" / 0.5 x 7.6 cm) into the mounting plate through the holes designed to go into drywall and attach the wing nuts to 3/4" (1.9 cm) onto each toggle bolt (3/16" x 3" / 0.5 x 7.6 cm).



2. Place the mounting plate against the wall and insert the wing nuts into the holes in the wall to mount the plate.

CAUTION Be careful to avoid pinching fingers between the back of the mounting plate and the wall.

3. Tighten all bolts. Pull the mounting plate away from the wall to help tighten the bolts.

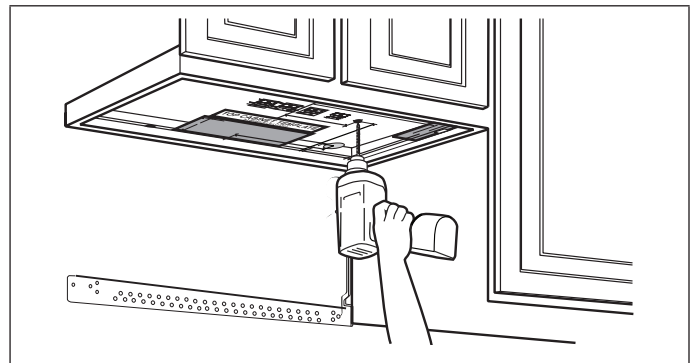


B3. USE TOP CABINET TEMPLATE FOR PREPARATION OF TOP CABINET

You need to drill holes for the top support screws and a hole large enough for the power cord to fit through.

- Read the instructions on the Top Cabinet Template.
- Tape it underneath the top cabinet bottom.
- Drill the holes, following the instructions on the Top Cabinet Template.

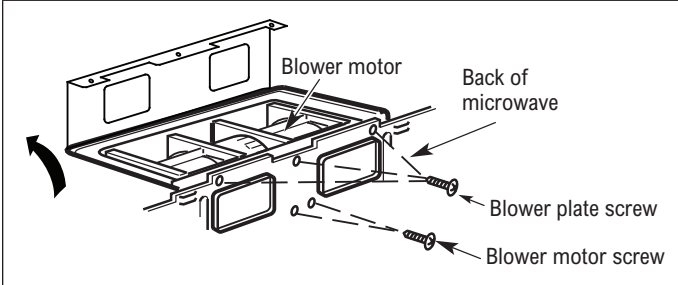
CAUTION Wear safety goggles when drilling holes in the cabinet bottom.



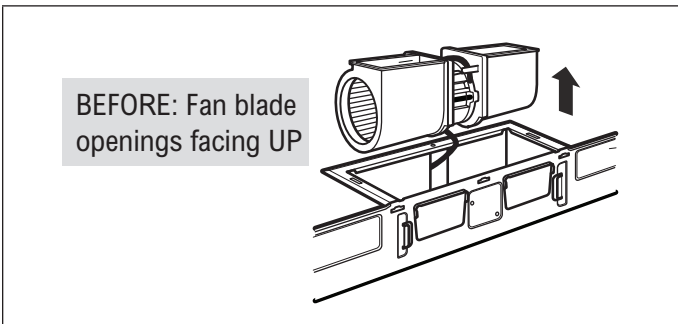
STEP-BY-STEP INSTALLATION GUIDE

B4. ADAPT MICROWAVE BLOWER FOR OUTSIDE REAR EXHAUST

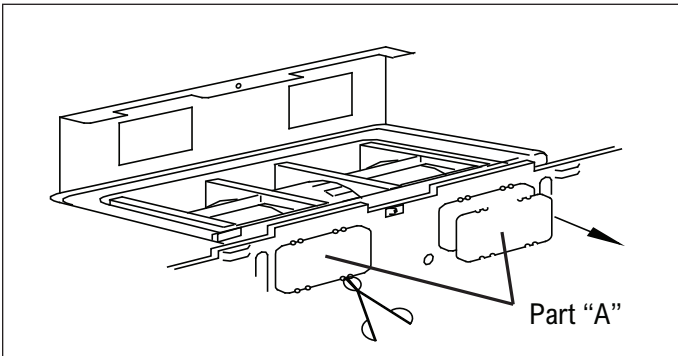
1. Remove and save screw that holds blower motor to microwave. Lift up the blower plate.



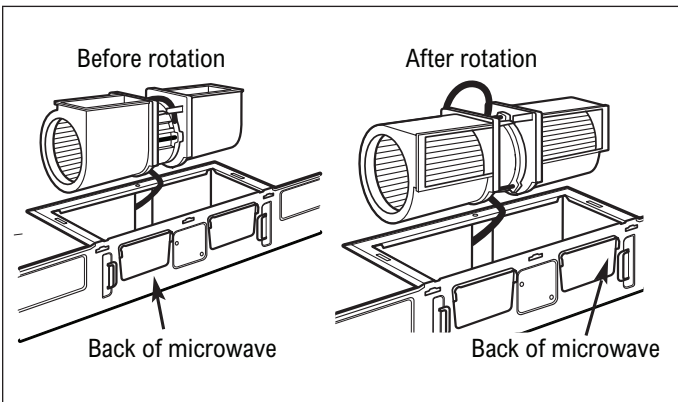
2. Carefully pull out the blower unit. The wires will extend far enough to allow you to adjust the blower unit.



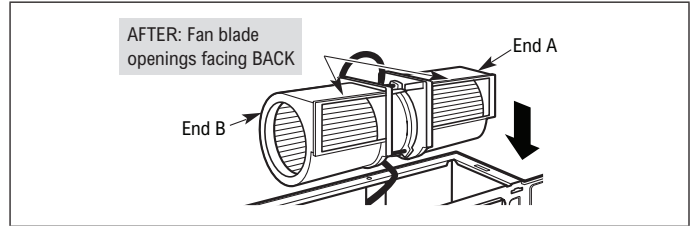
3. Remove Parts "A" with tin snips.



4. Rotate blower unit counterclockwise 90°.



5. Place the blower unit back into the opening.

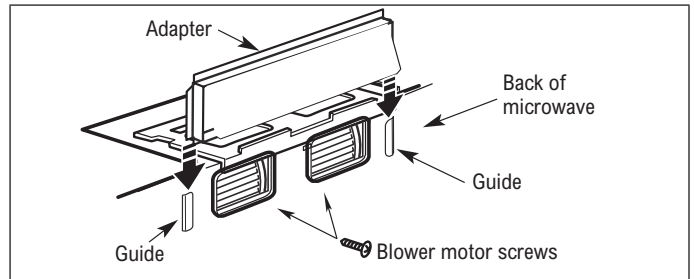


CAUTION Do not pull or stretch the blower unit wiring. Make sure the wires are not pinched.

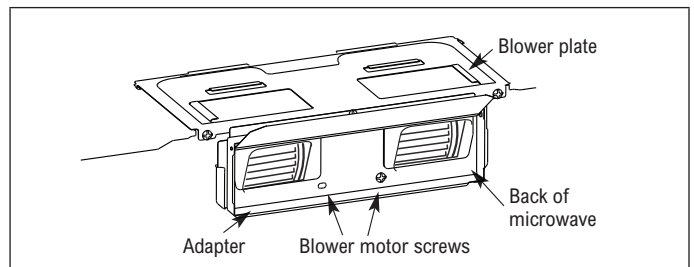
Note: The blower unit exhaust openings should match exhaust openings on rear of microwave oven.

6. Replace the blower plate in the same position.
7. Attach the exhaust adapter to the rear of the oven by sliding it into the guides at the top center of the back of the oven.

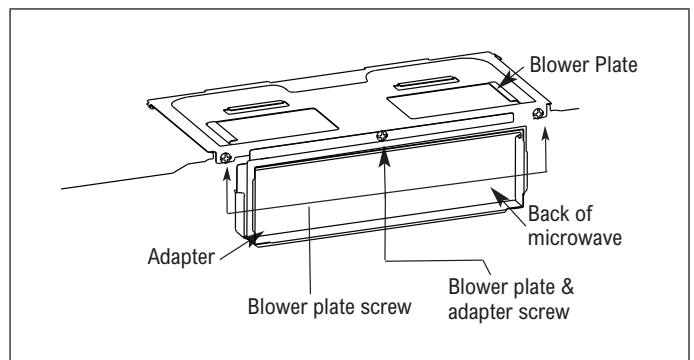
Push in securely until it is in the lower blower motor screw. Take care to assure that the damper hinge is installed so that it is at the top and that the damper swings freely.



8. Secure the blower motor unit to the microwave with screws as before.



9. Secure the blower plate to the microwave with screws. Replace the blower plate in the same position.



STEP-BY-STEP INSTALLATION GUIDE

B5. MOUNT THE MICROWAVE OVEN

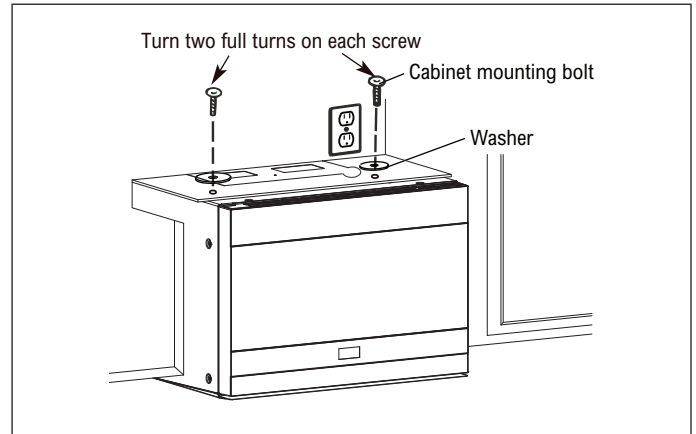
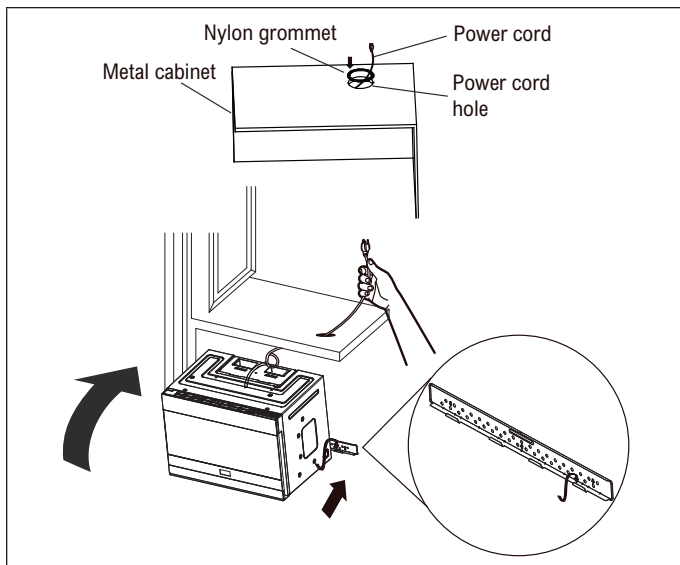
FOR EASIER INSTALLATION AND PERSONAL SAFETY, WE RECOMMEND THAT TWO PEOPLE INSTALL THIS MICROWAVE OVEN.

IMPORTANT: Do not grip or use handle during installation. If filler blocks are not used, outer case damage may occur from over tightening screws.

Note: If your cabinet is metal, use the nylon grommet around the power cord hole to prevent cutting of the cord. We recommend using filler blocks if the cabinet front hangs below the cabinet bottom shelf.

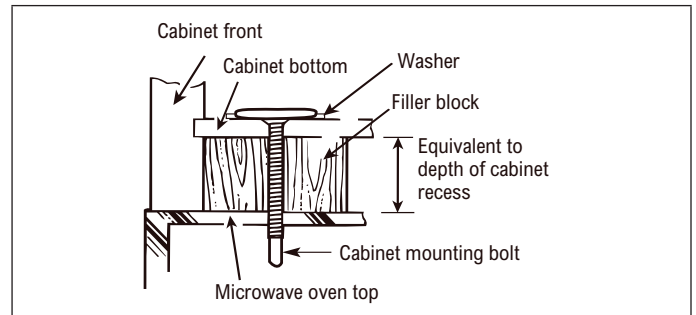
When mounting the microwave oven, thread power cord through hole in bottom of top cabinet. Keep it tight throughout steps 1 - 4. Do not pinch cord or lift oven by pulling cord.

1. Lift microwave, tilt it forward and hook slots at back bottom edge onto four lower tabs of mounting plate.
2. Rotate front of oven up against cabinet bottom.
3. Attach the microwave oven to the top cabinet.
4. Insert two cabinet mounting bolts (1/4" x 3" / 0.6 x 7.6 cm) through outer top cabinet holes. Temporarily secure the oven by turning the screw at least two full turns after the threads have engaged. (It will be completely tightened later.) Be sure to keep power cord tight. Be careful not to pinch the cord, especially when mounting flush to the bottom of cabinet.

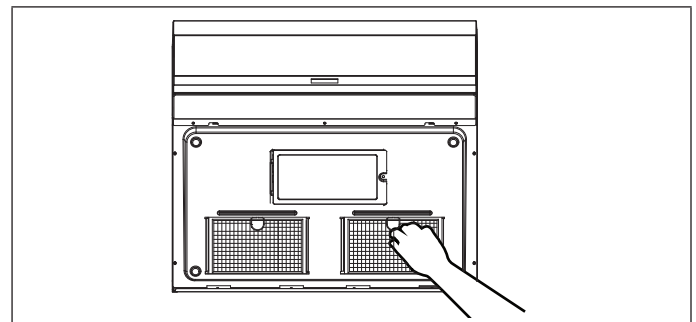


The Filler Block is only used for recessed cabinet and front overhang cabinet (see the type of the cabinet on pages 8 - 9). Place the Filler Block to the cabinet bottom before installing the oven.

5. Tighten the outer two screws to the top of the microwave oven. While tightening screws, hold the microwave oven in place against the wall and the top cabinet.



6. Install grease filters. See the Operation Manual packed with the microwave.

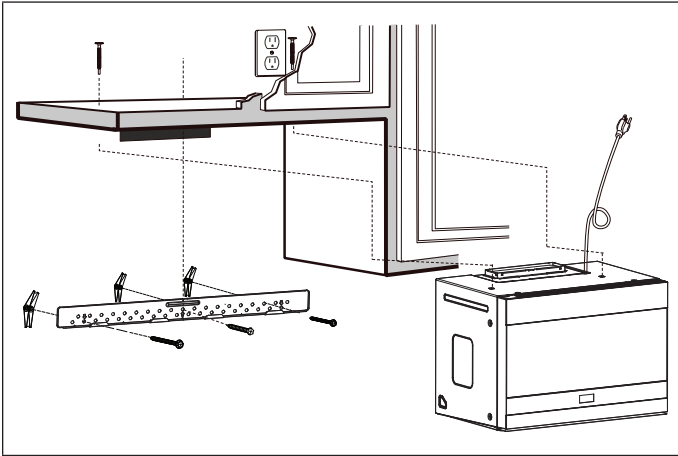


STEP-BY-STEP INSTALLATION GUIDE

C. RECIRCULATING (NON-VENTED DUCTLESS)

Installation overview

- C1. Attach the mounting plate to the wall
- C2. Use Top Cabinet Template for preparation of top cabinet
- C3. Adapt blower for recirculation
- C4. Mount the microwave oven
- C5. Change the charcoal filter

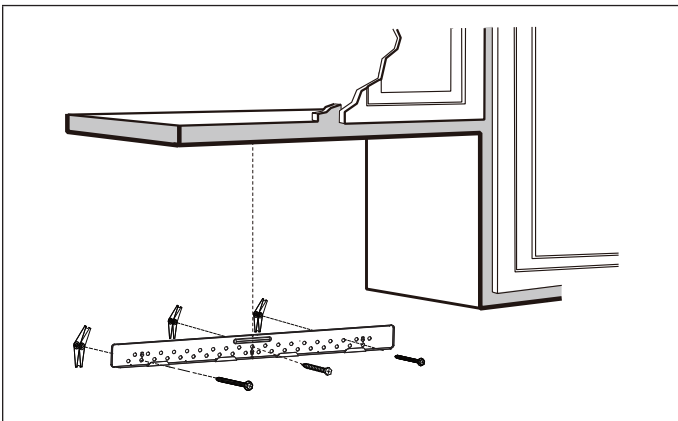


C1. ATTACH MOUNTING PLATE TO THE WALL

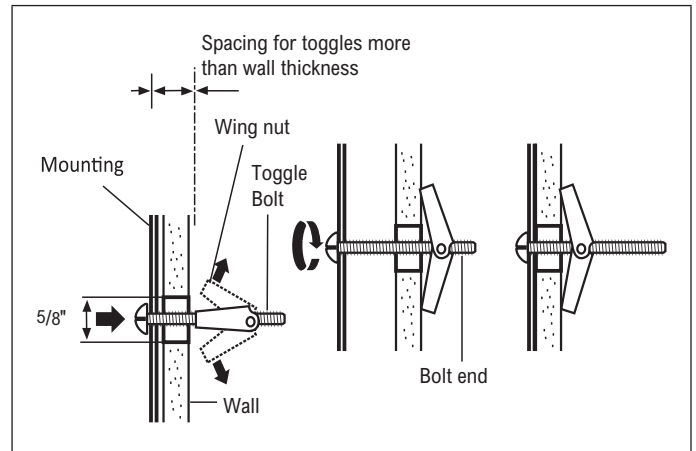
Attach the mounting plate to the wall using the wing nuts and toggle bolts ($\frac{3}{16}$ " x 3" / 0.5 x 7.6 cm). At least one lag screw must be used to attach the mounting plate to a wall stud.

1. Insert the toggle bolts ($\frac{3}{16}$ " x 3" / 0.5 x 7.6 cm) into the mounting plate through the holes designed to go into drywall and attach the wing nuts to $\frac{3}{4}$ " (1.9 cm) onto each toggle bolt ($\frac{3}{16}$ " x 3" / 0.5 x 7.6 cm).
2. Place the mounting plate against the wall and insert the wing nuts into the holes in the wall to mount the plate.

CAUTION Be careful to avoid pinching fingers between the back of the mounting plate and the wall.

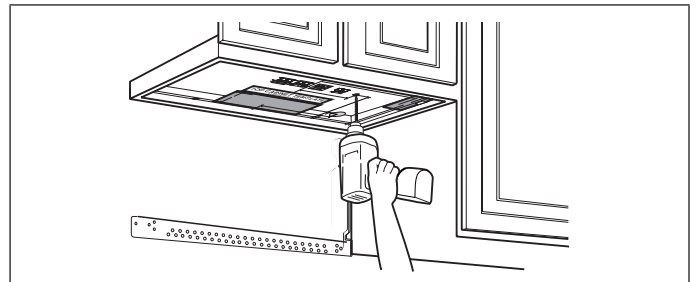


3. Tighten all bolts. Pull the mounting plate away from the wall to help tighten the bolts.



C2. USE TOP CABINET TEMPLATE FOR PREPARATION OF TOP CABINET

You need to drill holes for the top support screws, a hole large enough for the power cord to fit through.



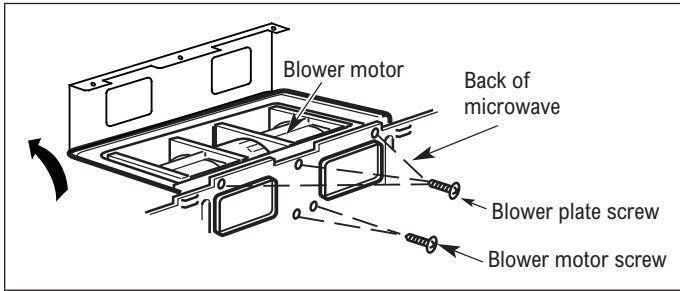
- Read the instructions on the Top Cabinet Template.
- Tape the template underneath the top cabinet bottom.
- Drill the holes, following the instructions on the Top Cabinet Template.

CAUTION Wear safety goggles when drilling holes in the cabinet bottom.

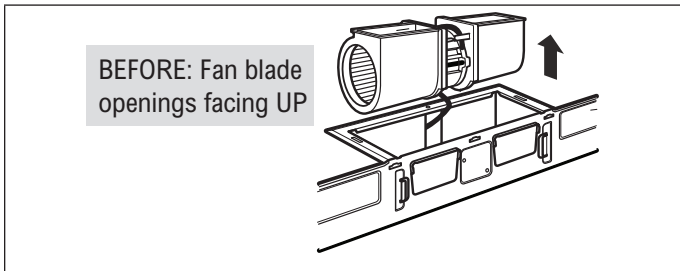
STEP-BY-STEP INSTALLATION GUIDE

C3. ADAPT BLOWER FOR RECIRCULATION

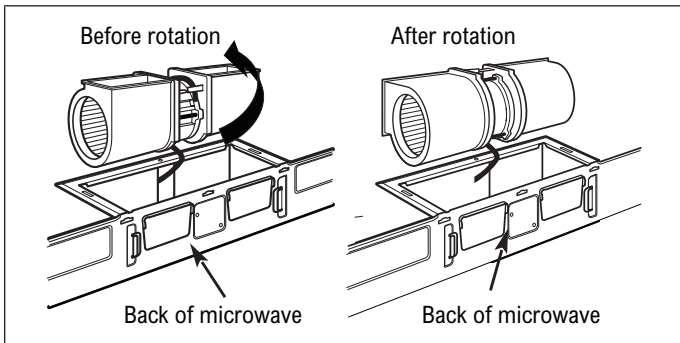
1. Remove and save screw that holds blower motor to microwave.
Lift up the blower plate.



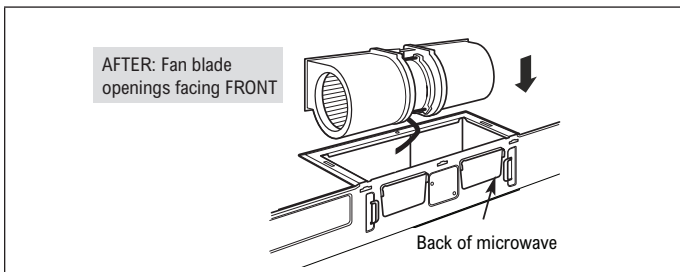
2. Carefully pull out the blower unit. The wires will extend far enough to allow you to adjust the blower unit.



3. Rotate blower unit 90°.



4. Place the blower unit back into the opening.



CAUTION Do not pull or stretch the blower unit wiring. Make sure the wires are not pinched.

Note: The blower unit exhaust openings should match exhaust openings on rear of microwave oven.

5. Replace the blower plate in the same position.

C4. MOUNT THE MICROWAVE OVEN

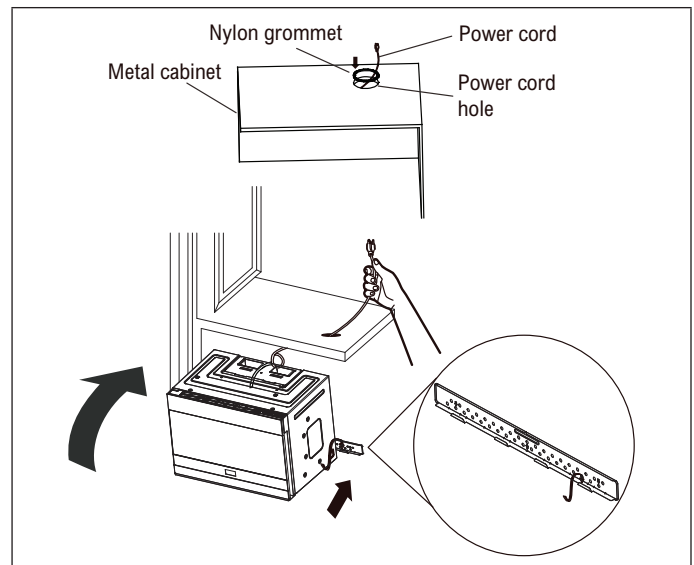
FOR EASIER INSTALLATION AND PERSONAL SAFETY, WE RECOMMEND THAT TWO PEOPLE INSTALL THIS MICROWAVE OVEN.

IMPORTANT: Do not grip or use handle during installation. If filler blocks are not used, case damage may occur from over tightening screws.

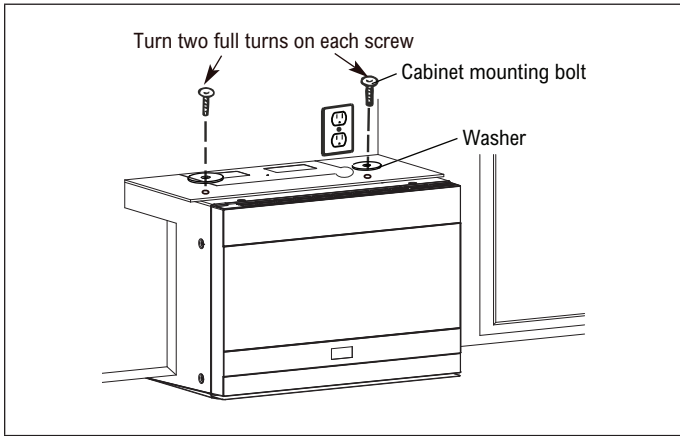
Note: If your cabinet is metal, use the nylon grommet around the power cord hole to prevent cutting of the cord. We recommend using filler blocks if the cabinet front hangs below the cabinet bottom shelf.

When mounting the microwave oven, thread power cord through hole in bottom of top cabinet. Keep it tight throughout steps 1 - 4. Do not pinch cord or lift oven by pulling cord.

1. Lift microwave, tilt it forward and hook slots at back bottom edge onto four lower tabs of mounting plate.
2. Rotate front of oven up against cabinet bottom.
3. Attach the microwave oven to the top cabinet.
4. Insert two cabinet mounting bolts ($\frac{1}{4}$ " x 3" / 0.6 x 7.6 cm) through outer top cabinet holes. Temporarily secure the oven by turning the screw at least two full turns after the threads have engaged. (It will be completely tightened later.) Be sure to keep power cord tight. Be careful not to pinch the cord, especially when mounting flush to the bottom of cabinet.

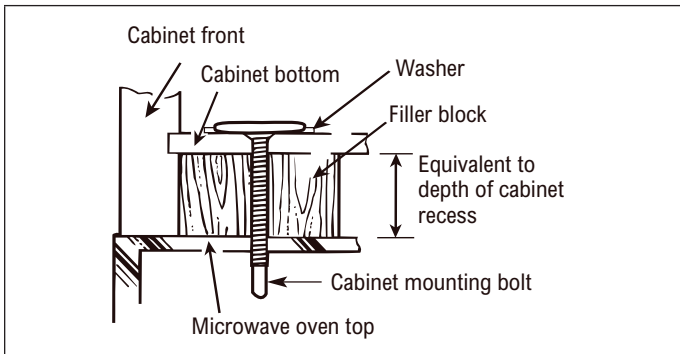


STEP-BY-STEP INSTALLATION GUIDE

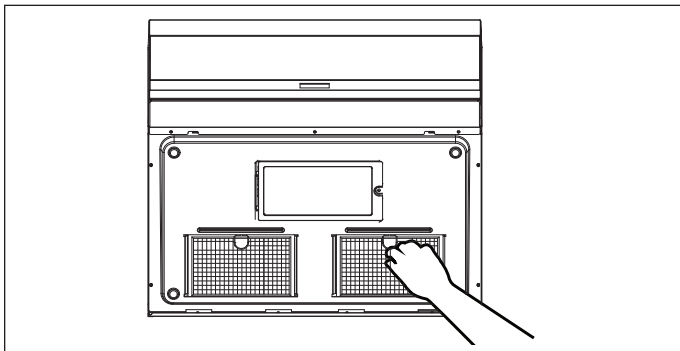


The Filler Block is only used for recessed cabinet and front overhang cabinet (see the type of the cabinet on pages 8 - 9). Place the Filler Block to the cabinet bottom before installing the oven.

5. Tighten the outer two screws to the top of the microwave oven. While tightening screws, hold the microwave oven in place against the wall and the top cabinet.



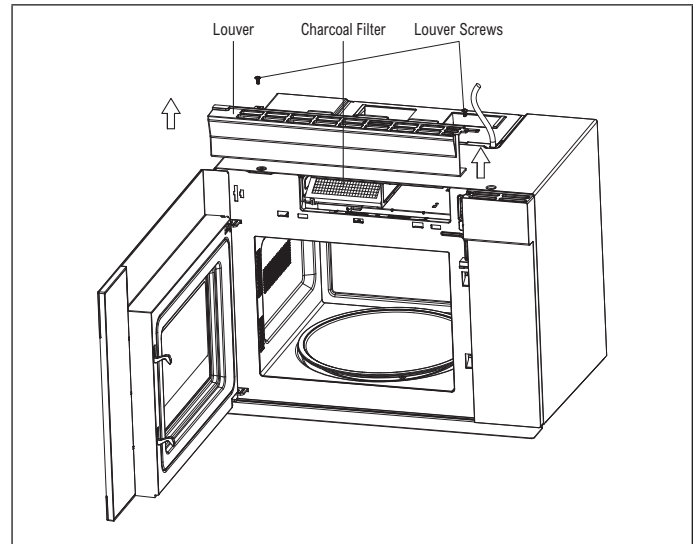
6. Install grease filters. See the Operation Manual included with the microwave.



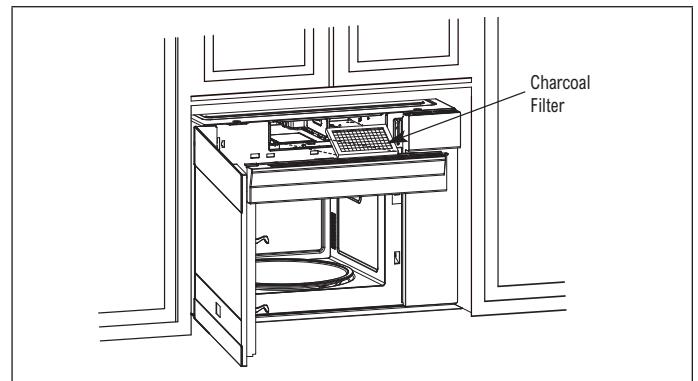
C5. CHANGE THE CHARCOAL FILTER

The charcoal filter is used for nonvented, recirculated installation. The filter should be changed every 6 to 12 months depending on use.

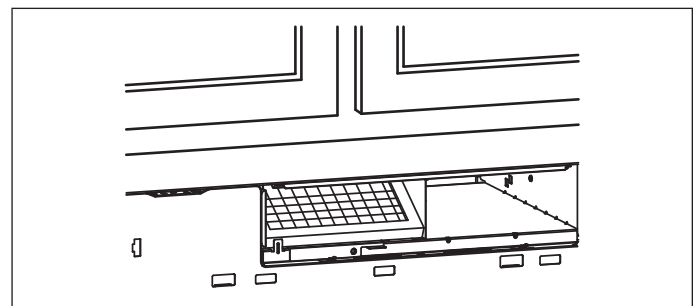
1. Remove two screws of the louver on the top of the oven by using a #1 Phillips screwdriver.



2. Open the door, remove the louver and take the used charcoal filter out.



3. Install the new charcoal filter. When properly installed, the wire mesh of the filter should be visible from the front.



4. Replace the louver and the screws.

SHARP®

SHARP ELECTRONICS CORPORATION • 100 Paragon Drive • Montvale, New Jersey 07645 • USA
SHARP ELECTRONICS OF CANADA LTD • 335 Britannia Road East • Mississauga, Ontario • L4Z 1W9 • Canada

Four à micro-ondes à hotte intégrée : SM01461GS MANUEL D'INSTALLATION

AVANT DE COMMENCER

Prenez le temps de lire toutes les instructions avant d'installer le four à micro-ondes à hotte intégrée.

Remarque pour l'installateur – Assurez-vous de laisser ces instructions au client.

- Niveau de compétence – L'installation de cet appareil nécessite des compétences de base en mécanique et en électricité. Il est préférable de faire l'installation de ce produit avec deux personnes.
- L'installation appropriée est de la responsabilité de l'installateur.
- La défaillance du produit en raison d'une installation inappropriée n'est pas couverte par la garantie.
- S'il est nécessaire d'installer une nouvelle prise électrique, l'installation devrait être effectuée par un électricien qualifié avant d'installer le four à micro-ondes à hotte intégrée. Consultez la section des INSTRUCTIONS POUR LA MISE À LA TERRE ÉLECTRIQUE.

Remarque au consommateur – Conservez ces instructions pour consultation ultérieure.

- IMPORTANT – Conservez ces instructions pour l'inspecteur local.
- IMPORTANT – Respectez tous les codes et les ordonnances applicables..

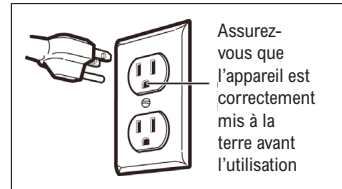
INSTRUCTIONS POUR LA MISE À LA TERRE ÉLECTRIQUE

IMPORTANT – VEUILLEZ LIRE ATTENTIVEMENT. POUR VOTRE PROPRE SÉCURITÉ, CET APPAREIL DOIT ÊTRE CORRECTEMENT MIS À LA TERRE POUR ÉVITER DES DÉCHARGES ÉLECTRIQUES SÉVÈRES OU MORTELLES.

Cet appareil doit être mis à la terre. Ce four à micro-ondes est muni d'un cordon comportant un fil de mise à la terre et une fiche de mise à la terre. Il doit être branché dans une prise de courant correctement raccordée et mise à la terre selon le Code national de l'électricité ainsi que les ordonnances et les codes locaux. Advenant un court-circuit, la mise à la terre permet de réduire le risque de décharge électrique en procurant un fil conducteur pour le courant électrique.

⚠ AVERTISSEMENT Une utilisation inappropriée de la prise de mise à la terre peut entraîner un risque de décharge électrique.

Le four est équipé d'une fiche à trois broches avec mise à la terre. EN AUCUN CAS, VOUS NE DEVRIEZ PAS COUPER OU RETIRER LA BROCHE DE MISE À LA TERRE DE LA FICHE.



Le cordon d'alimentation et la fiche doivent être connectés à un circuit de dérivation séparé de 120 volts c.a., 60 Hz, 15 ampères ou plus, et une prise de courant avec mise à la terre. La prise de courant doit être placée directement à l'intérieur de l'armoire au-dessus de l'emplacement d'installation du four à micro-ondes/hotte.

Remarques :

1. Si vous avez des questions au sujet de la mise à la terre ou des instructions électriques, consultez un électricien ou un technicien qualifié.
2. Sharp et le détaillant ne peuvent accepter aucune responsabilité concernant les dommages au four ou les blessures qui peuvent être provoquées par l'incapacité à suivre les procédures appropriées d'installation électrique.

⚠ AVERTISSEMENT POUR LA SÉCURITÉ PERSONNELLE

- Enlevez le fusible ou fermez le disjoncteur avant de commencer l'installation pour éviter des décharges électriques sévères ou même mortelles.
- La surface de montage doit être en mesure de supporter le poids de l'armoire, en plus du poids additionnel de 22,6 à 31,7 kg (50 à 70 lb) pour ce produit, en plus d'une charge supplémentaire pour le four allant jusqu'à 22,6 kg (50 lb) pour un poids total de 45,2 à 54,3 kg (100 à 120 lb).
- Ce produit ne peut pas être installé dans un assemblage d'armoire comme un îlot ou une presqu'île. Il doit être installé sur une armoire ET sur un mur.
- Il est préférable de faire l'installation de ce produit avec deux personnes.

INFORMATION GÉNÉRALE





SORTIE D'ÉVACUATION DE LA HOTTE

Remarque : Lisez les instructions sur les deux prochaines pages, uniquement si vous prévoyez évacuer la sortie d'évacuation à l'extérieur. Si vous planifiez de faire recirculer l'air dans la pièce, passez à la page 6.

Tous les conduits doivent être en métal; N'UTILISEZ PAS de conduit en plastique. Vérifiez que tous les raccords sont solides et sécuritaires.

SORTIE D'ÉVACUATION EXTÉRIEURE PAR LE HAUT (EXEMPLE UNIQUEMENT)

Le tableau suivant décrit un exemple d'une installation possible des conduits.

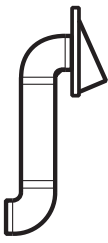
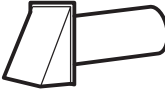


| | PIÈCES DE CONDUIT | LONGUEUR ÉQUIVALENTE X QUANTITÉ UTILISÉE | LONGUEUR ÉQUIVALENTE |
|--|--|--|----------------------|
|  |  Chapeau de toiture | 7,3 m (24 pi) x 1 | 7,3 m (24 pi) |
| |  3,7 m (12 pi) Conduit droit (rond 15 cm / 6 po) | 3,7 m (12 pi) x 1 | 3,7 m (12 pi) |
| |  Adaptateur de transition rectangle à rond* | 1,5 m (5 pi) x 1 | 1,5 m (5 pi) |
| | Longueur totale | | 12,5 m (41 pi) |

Les longueurs équivalentes des morceaux de conduit sont basées sur des tests réels et reflètent les exigences pour une bonne performance de ventilation avec n'importe quelle hotte d'évacuation.

* **IMPORTANT :** Si vous utilisez un adaptateur de transition rectangle à rond, les coins inférieurs du registre devront être coupés pour l'installer, en utilisant des cisailles de ferblantier, de manière à permettre le mouvement du registre.

SORTIE D'ÉVACUATION EXTÉRIEURE ARRIÈRE (EXEMPLE UNIQUEMENT)

Le tableau suivant décrit un exemple d'une installation possible des conduits.

| | PIÈCES DE CONDUIT | LONGUEUR ÉQUIVALENTE X QUANTITÉ UTILISÉE | LONGUEUR ÉQUIVALENTE |
|---|---|--|----------------------|
|  |  Chapeau mural | 12,2 m (40 pi) x 1 | 12,2 m (40 pi) |
| |  3,7 m (3 pi) Conduit droit (rond 8,3 x 15 cm / 3,25 x 6 po) | 91,4 cm (3 pi) x 1 | 91,4 cm (3 pi) |
| |  Coude à 90° | 4 m (10 pi) x 2 | 6,1 m (20 pi) |
| | Longueur totale | | 19,2 m (63 pi) |

Les longueurs équivalentes des morceaux de conduit sont basées sur des tests réels et reflètent les exigences pour une bonne performance de ventilation avec n'importe quelle hotte d'évacuation.

Remarque : Si vous prévoyez installer une sortie d'évacuation arrière ou horizontale, vous devriez prévoir l'alignement de l'espace entre les montants muraux ou le mur devrait être pensé en fonction de l'installation au moment de la construction en laissant suffisamment d'espace entre les montants pour accommoder la sortie d'évacuation.

INFORMATION GÉNÉRALE

Si vous devez installer des conduits, prenez note que la longueur totale de conduit rectangulaire 8,3 x 25,4 cm (3,25 x 10 po) ou rond 15,2 cm (6 po) ne devrait pas dépasser une longueur équivalente de 42,7 m (140 pi).

La ventilation extérieure nécessite un CONDUIT DE SORTIE D'ÉVACUATION Lisez attentivement les éléments suivants.

Il est important que la sortie d'évacuation soit installée en utilisant le chemin le plus direct et avec le moins de coudes possible. Ceci permet d'assurer une ventilation appropriée de la sortie d'évacuation et aide à prévenir les blocages. De plus, assurez-vous que les registres basculent sans entrave et que rien ne bloque les conduits.

CONNEXION DE LA SORTIE D'ÉVACUATION

La sortie d'évacuation de la hotte a été conçue pour être installée avec un conduit rectangulaire standard de 8,3 x 25,4 cm (3,25 x 10 po).

Si vous avez besoin d'un conduit rond, un adaptateur de transition rectangulaire à carré doit être utilisé. Utilisez un conduit d'au moins 15,2 cm (6 po) de diamètre.

LONGUEUR MAXIMUM DE CONDUIT


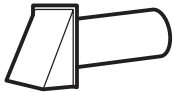


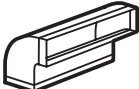
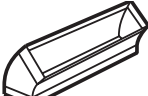


Pour un déplacement approprié de l'air, la longueur totale de conduit rectangulaire 8,3 x 25,4 cm (3,25 x 10 po) ou rond 15,2 po (6 po) ne devrait pas dépasser une longueur équivalente de 42,7 m (140 pi).

LES COUDES, TRANSITIONS, CHAPEAUX DE TOITURE ET MURAUX, ETC.

Les coudes, adaptateurs, chapeaux de toiture et muraux, etc. présentent une résistance supplémentaire pour la circulation d'air et ils sont équivalents à une section de conduit droit plus longue que leur taille physique réelle. Lorsque vous calculez la longueur totale, ajoutez les longueurs équivalentes de tous les transitions et adaptateurs en plus de la longueur de toutes les sections de conduits droits. Le tableau à droite indique la longueur approximative en m (pi) de la longueur équivalente de certaines pièces de conduits utilisées habituellement.

Utilisez les valeurs entre parenthèses pour calculer la résistance de circulation d'air équivalente, ce qui devrait vous donner au total 42,7 m (140 pi).

Les longueurs équivalentes des morceaux de conduit sont basées sur des tests réels et reflètent les exigences pour une bonne performance de ventilation avec n'importe quelle hotte d'évacuation.



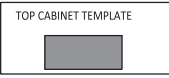
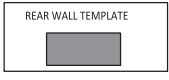


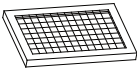
| PIÈCES DE CONDUIT | LONGUEUR ÉQUIVALENTE X QUANTITÉ UTILISÉE | LONGUEUR ÉQUIVALENTE |
|---|--|----------------------|
| | EXEMPLE POUR (NOMBRE UTILISÉ) | |
|  Adaptateur de transition rectangle à rond* | 1,5 m (5 pi) x (1) | 1,5 m (5 pi) |
|  Chapeau mural | 12,19 m (40 pi) x (1) | 12,19 m (40 pi) |
|  Coude à 90° | 3 m (10 pi) x (1) | 3 m (10 pi) |
|  Coude à 45° | 1,5 m (5 pi) x (1) | 1,5 m (5 pi) |
|  Coude à 90° | 7,6 m (25 pi) x (1) | 7,6 m (25 pi) |
|  Coude à 45° | 1,5 m (5 pi) x (1) | 1,5 m (5 pi) |
|  Chapeau de toiture | 7,3 m (24 pi) x (1) | 7,3 m (24 pi) |
|  Conduit droit (rond 8,3 x 15 cm / 3,25 x 6 po) | 30,5 cm (1 pi) x (5) | 1,5 m (5 pi) |
| Exemple de conduit total | | 36,3 m (119 pi) |

IMPORTANT : Si vous utilisez un adaptateur de transition rectangle à rond, les coins inférieurs du registre devront être coupés pour l'installer, en utilisant des cisailles de ferblantier, de manière à permettre le mouvement du registre.



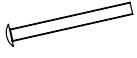
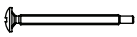



INFORMATION GÉNÉRALE

Remarque : Certaines pièces supplémentaires sont incluses.

PIÈCES INCLUSES



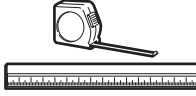


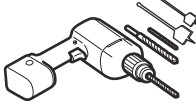



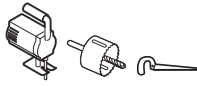
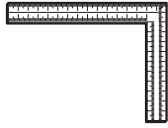



| NOM DE LA PIÈCE ET CODE DE LA PIÈCE | | QTÉ |
|--|---|-----|
|  | Plaque de montage 213259000685 | 1 |
|  | Adaptateur d'évacuation 213999001159 | 1 |
|  | Plaque pour armoire 525049000030 | 1 |
|  | Gabarit mural arrière 525049000042 | 1 |
|  | Instructions d'installation TINSKB315MRR0 | 1 |
|  | Filtre pour la graisse emballée séparément 213999001028 | 2 |
|  | Filtre au charbon 213999001066 | 1 |

ACCESSOIRES INSTALLATION

| NOM DE LA PIÈCE CODE DE PIÈCE 203129000066 | | QTÉ |
|---|---|-----|
|  | Vis tire-fond (0,63 x 5,1 cm / 0,24 x 2 po) | 2 |
|  | Écrou à oreilles | 2 |
|  | Boulon à ailettes (0,5 x 7,6 cm / 3/16 x 3 po) | 2 |
|  | Boulon d'assemblage pour l'armoire (0,6 x 7,6 cm / 1/4 x 3 po) | 2 |
|  | Passe-fil de nylon (pour les armoires de métal) | 1 |
|  | Rondelle | 2 |
|  | Vis à tôle | 2 |

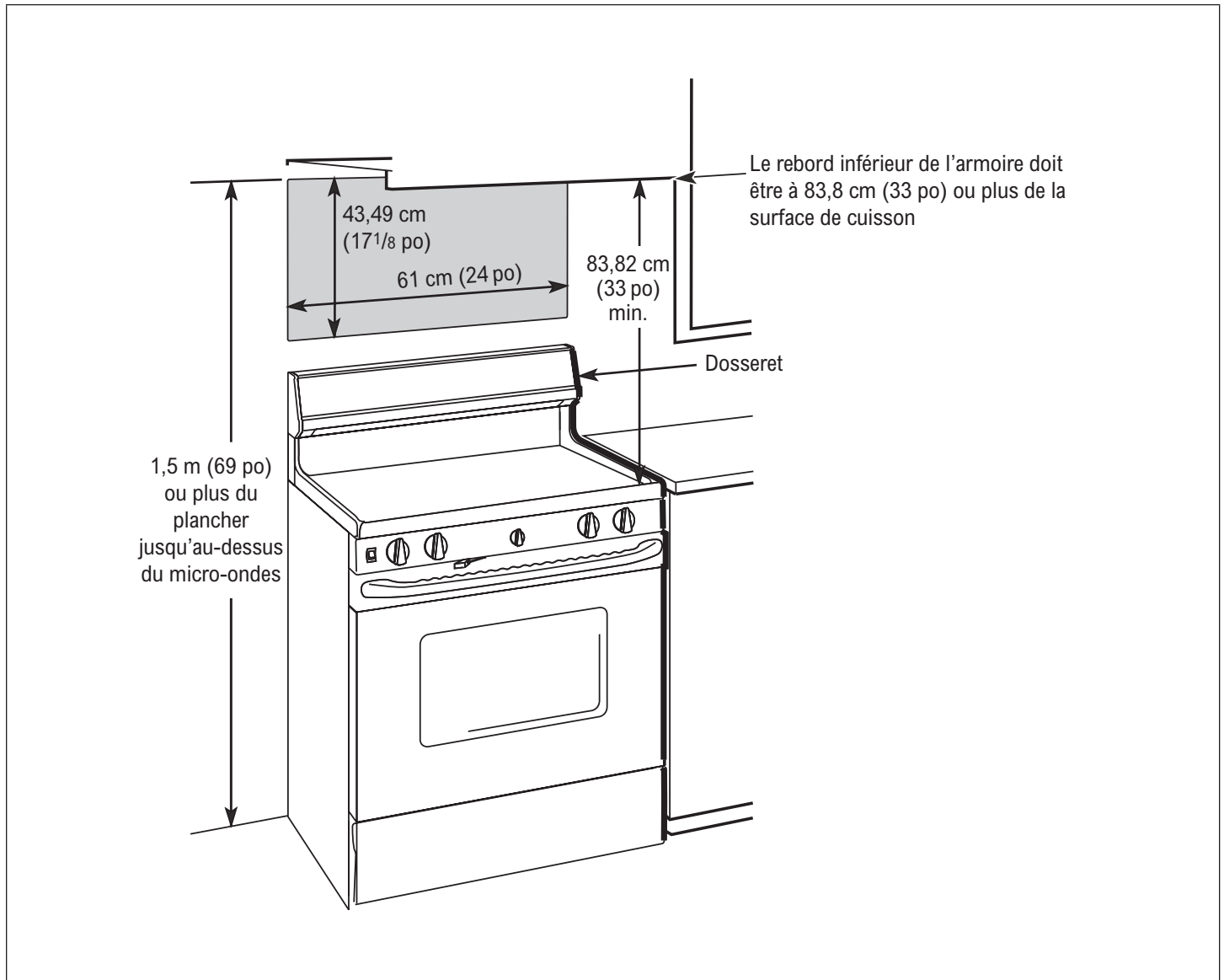
Vous trouverez les accessoires d'installation dans un emballage avec l'unité. Vérifiez que vous avez toutes ces pièces en main.

OUTILS DONT VOUS AUREZ BESOIN

| | | |
|--|--|--|
|  |  |  |
| Tournevis étoile no 1 et no 2 | Crayon | Ruban à mesurer ou règle |
|  |  |  |
| Des cisailles de ferblantier (pour couper le registre, au besoin) | Ciseau (pour couper le gabarit, au besoin) | Perceuse électrique avec forets de 3/16 po, 1/2 po et 5/8 po |
|  |  |  |
| Des gants | Lunettes de sécurité | Ruban-cache et ruban à conduit |
|  |  |  |
| Scie pour les trous (scies sauteuses, emporte-pièce, scie manuelle) | Équerre (optionnelle) | Entretoise ou morceaux de retaille de bois (pour l'espacement supérieur de l'armoire dans des installations encastrées du bas d'armoire, le cas échéant) |
|  | |  |
| Niveau | | Un détecteur de montant ou un marteau (optionnel) |

INFORMATION GÉNÉRALE

ESPACE DE MONTAGE



Remarques :

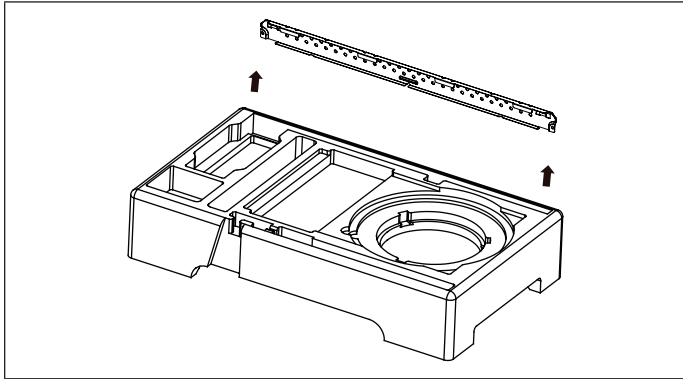
- L'espace entre les armoires doit être de 61 cm (24 po) de large et exempt d'obstruction.
- Si vous décidez de mettre la sortie d'évacuation extérieure pour votre micro-ondes, consultez la section Sortie d'évacuation de la hotte pour la préparation des conduits d'évacuation.
- Lorsque vous installez le micro-ondes en-dessous d'armoires planes et lisses, assurez-vous de suivre les instructions pour le dégagement réservé au cordon d'alimentation. Assurez-vous de laisser suffisamment d'espace pour le dégagement du cordon d'alimentation.

GUIDE D'INSTALLATION ÉTAPE PAR ÉTAPE

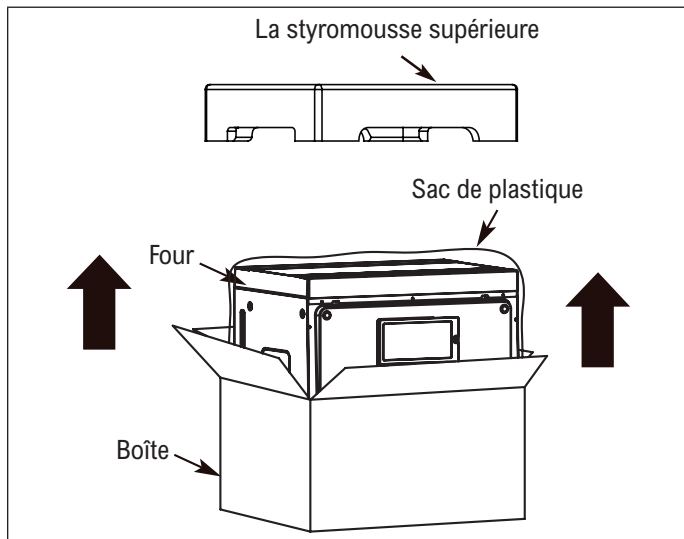
POSITIONNEMENT DE LA PLAQUE DE MONTAGE

A. ENLEVER LE FOUR À MICRO-ONDES ET LA PLAQUE DE MONTAGE DE LA BOÎTE

1. Ouvrez la boîte et retirez la styromousse de protection supérieure de la boîte, mais conservez les accessoires.



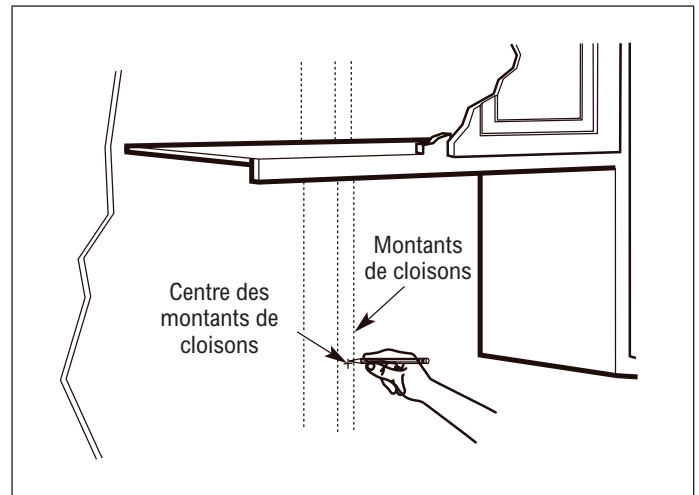
2. Retirez le four de la boîte et enlevez le sac de plastique.
3. Retirez le support de montage de la styromousse de protection.



B. TROUVER LES MONTANTS DE CLOISONS

LE MICRO-ONDES DOIT ÊTRE INSTALLÉ SUR AU MOINS UN MONTANT DE CLOISON

1. Trouvez les montants de cloisons en utilisant l'une des méthodes suivantes : un détecteur de montant - appareil magnétique qui détecte les clous - ou utilisez un marteau pour frapper légèrement sur la surface de montage pour trouver un son plus solide. Ceci permet de trouver l'emplacement d'un montant de cloison.

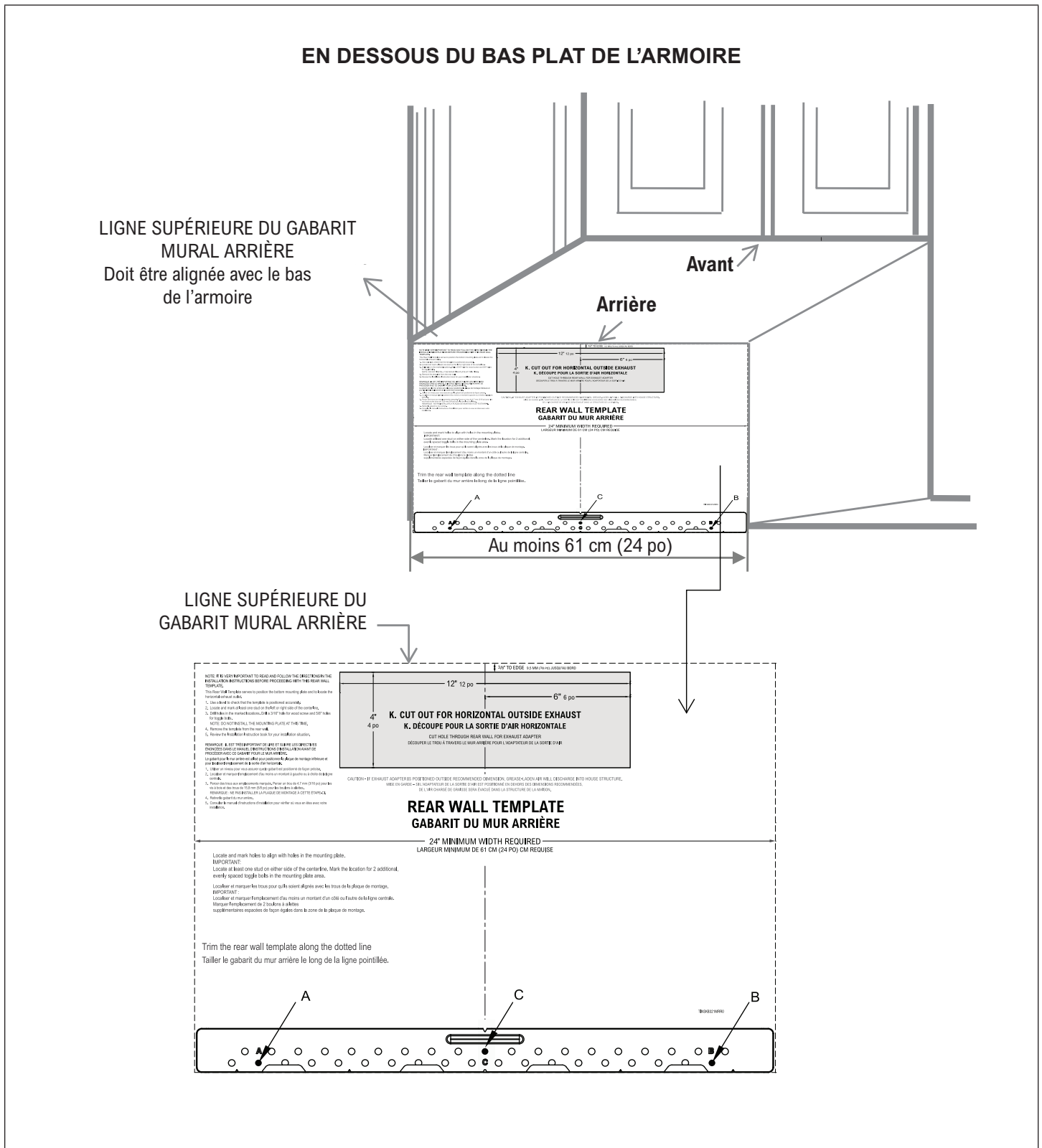


2. Après avoir localisé le(s) montant(s), trouvez le centre en pénétrant le mur avec un petit clou pour trouver les rebords du montant de cloison.
3. Placez ensuite une marque au milieu des rebords du montant. Le centre de tous les montants de cloisons adjacents devrait se trouver à 40,6 cm (16 po) ou 61 cm (24 po) de cette marque.
4. Tracez une ligne au centre des montants de cloisons.

GUIDE D'INSTALLATION ÉTAPE PAR ÉTAPE

C. DÉTERMINER LA LIGNE SUPÉRIÈRE DE L'EMPLACEMENT DU GABARIT MURAL ARRIÈRE SOUS VOTRE ARMOIRE

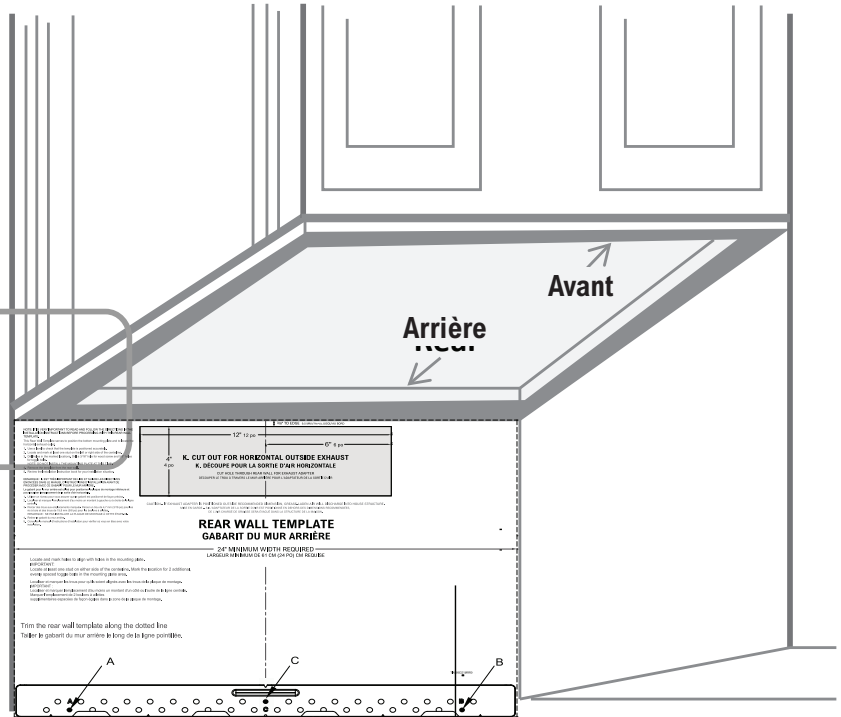
Le bas de l'armoire est présenté de trois façons :



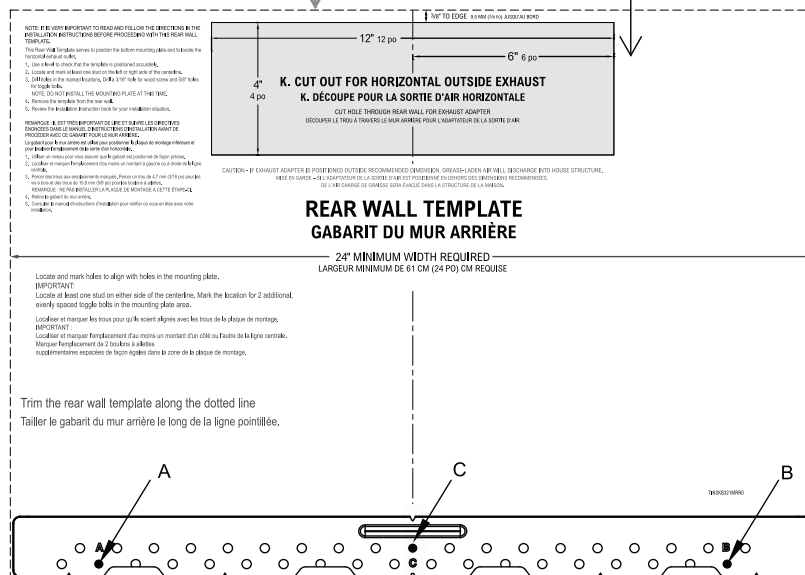
GUIDE D'INSTALLATION ÉTAPE PAR ÉTAPE

EN DESSOUS DU CADRE D'UNE ARMOIRE ENCASTRÉE

LIGNE SUPÉRIEURE DU GABARIT MURAL ARRIÈRE
Doit être alignée avec le cadre arrière du bas de l'armoire



LIGNE SUPÉRIEURE DU GABARIT MURAL ARRIÈRE



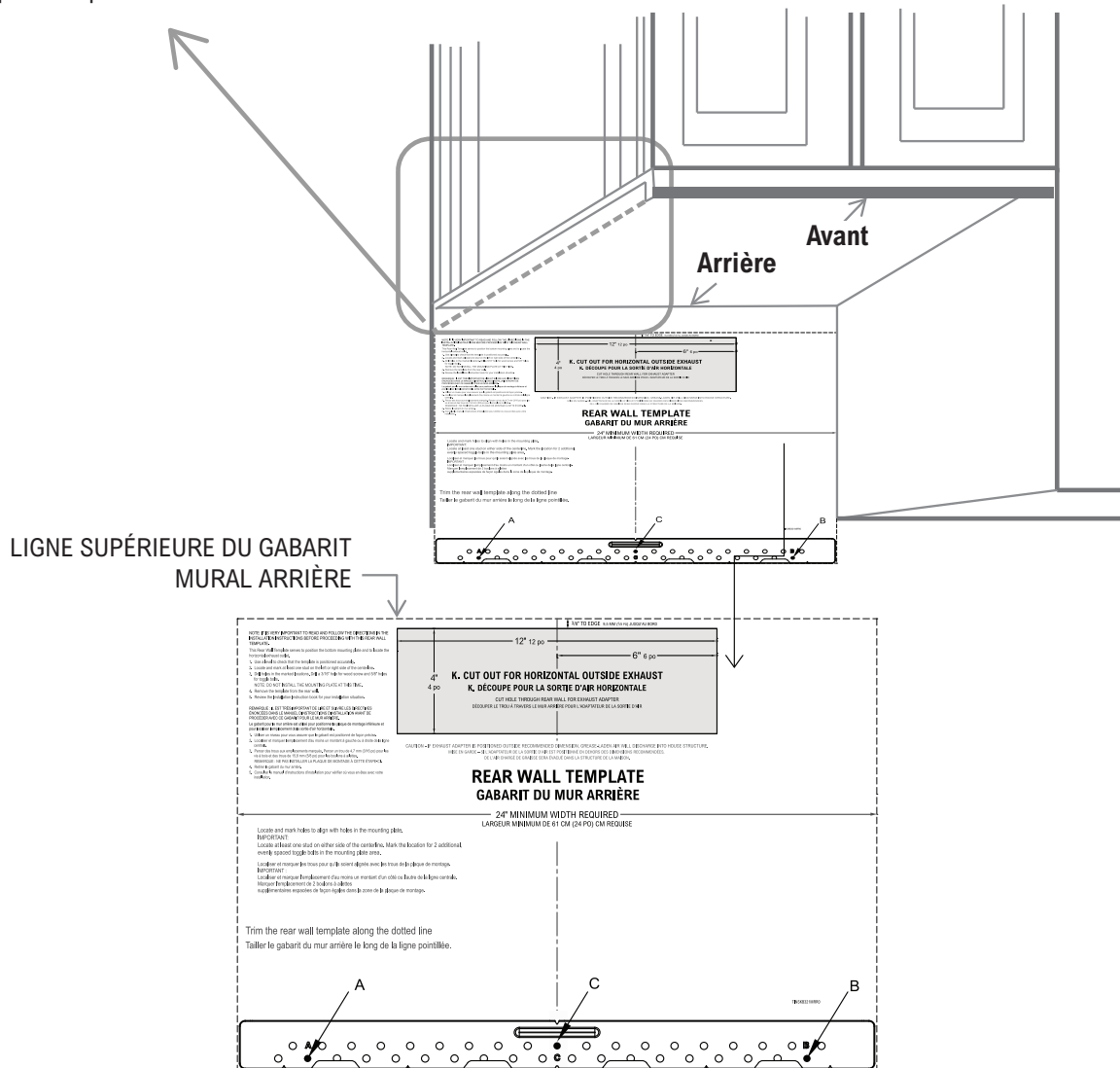
GUIDE D'INSTALLATION ÉTAPE PAR ÉTAPE

EN DESSOUS DU BAS D'UNE ARMOIRE AVEC CADRE ENCASTRÉ AVEC UN SURPLOMB AVANCÉ

LIGNE SUPÉRIEURE DU GABARIT MURAL ARRIÈRE

Doit être aligné avec le bas de l'armoire à la même distance que le surplomb avant du bas de l'armoire.

En dessous du bas de l'armoire à la même distance que le surplomb avant du bas de l'armoire.



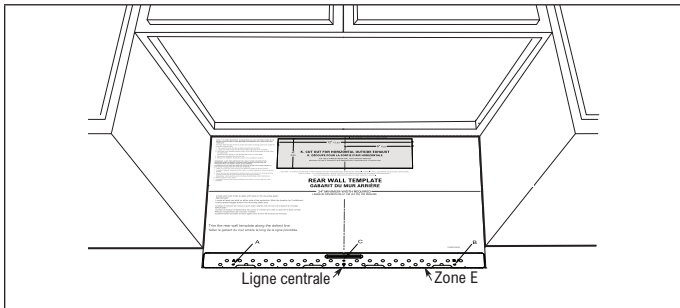
GUIDE D'INSTALLATION ÉTAPE PAR ÉTAPE

LE MICRO-ONDES DOIT ÊTRE INSTALLÉ DE NIVEAU

Utilisez un niveau pour vous assurer que le bas de l'armoire est de niveau. Si les armoires ont seulement un surplomb avant, avec aucun cadre arrière ou latéral, la ligne supérieure du gabarit mural arrière doit être alignée en dessous du bas de l'armoire, à la même distance que la profondeur du surplomb avant. Ceci permettra de garder le micro-ondes de niveau.

1. Mesurez la profondeur intérieure du surplomb avant.
2. Dessinez une ligne horizontale sur le mur arrière, à une distance égale à la profondeur du surplomb avant en mesurant à partir du bas de l'armoire.
3. Pour ce type d'installation avec un surplomb avant uniquement, alignez la ligne supérieure du gabarit mural arrière avec cette ligne horizontale, en ne touchant pas au bas de l'armoire comme décrit à l'étape D.

D. ALIGNER LA LIGNE SUPÉRIEURE DU GABARIT MURAL ARRIÈRE



⚠ AVERTISSEMENT Portez des gants pour éviter de vous couper les doigts sur les bords tranchants.

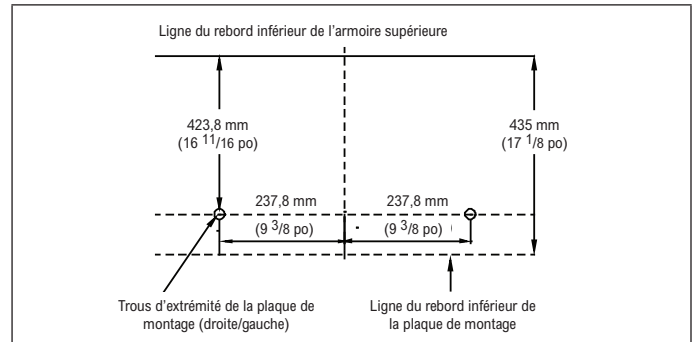
1. À l'aide d'un ruban à mesurer, dessinez une ligne verticale sur le mur dans le centre d'un espace d'une largeur de 61 cm (24 po).
2. Collez le gabarit mural arrière sur le mur de l'armoire, alignez les marqueurs centraux sur le gabarit mural arrière à la ligne centrale sur le mur, en vous assurant qu'il est de niveau et que la ligne supérieure du gabarit mural arrière est appuyée contre le rebord inférieur de l'armoire au-dessus.
3. Après avoir collé le gabarit mural arrière sur le mur, dessinez des cercles sur le mur au trou A, B, C (voir l'illustration ci-dessus/plaque réelle marquée avec des flèches). TROIS TROUS DOIVENT ÊTRE UTILISÉS POUR L'INSTALLATION. (S'il y a deux montants de cloison, un du côté droit et l'autre du côté gauche à partir de la ligne centrale, quatre trous doivent être utilisés pour l'installation.)
4. Enlevez le gabarit mural arrière et vérifiez les marques avec la plaque de montage réel (ligne centrale, trous A, B, C).
5. Percez des trous sur les cercles marqués (A, B, C). Percez un trou 4,7 mm (3/16 po) au trou C pour une vis tire-fond et deux trous 15,88 mm (5/8 po) A et B pour des boulons à ailettes.

Remarque : N'INSTALLEZ PAS LA PLAQUE À CETTE ÉTAPE.

6. Si le gabarit mural arrière est endommagé ou inutilisable, mesurez et marquez le mur avec les dimensions décrit à l'étape E.

E. MARQUAGE DU MUR ARRIÈRE DE L'ARMOIRE SANS LE GABARIT MURAL ARRIÈRE

1. La ligne du rebord inférieur de la plaque de montage doit être à 435 mm (17 1/8 po) à partir de la ligne du rebord inférieur de l'armoire supérieure et elle doit être de niveau.
2. Les trous d'extrémité de la plaque de montage doivent être à 423,8 mm (16 11/16 po) à partir de la ligne du rebord inférieur de l'armoire supérieure et doivent être sur une même ligne. Ils doivent être à une distance de 237,8 mm (9 3/8 po) de la ligne centrale.

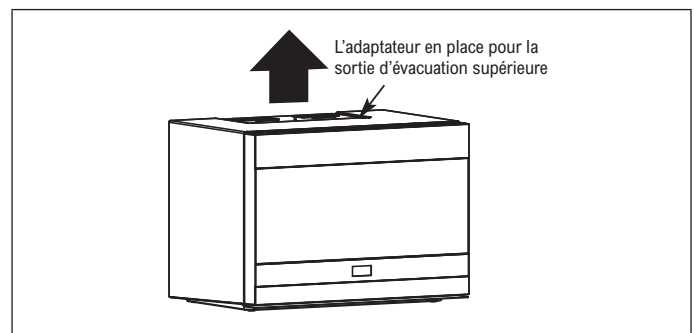


TYPES D'INSTALLATION (CHOISIR A, B OU C)

Ce four à micro-ondes est conçu pour s'adapter aux trois types de ventilation suivante :

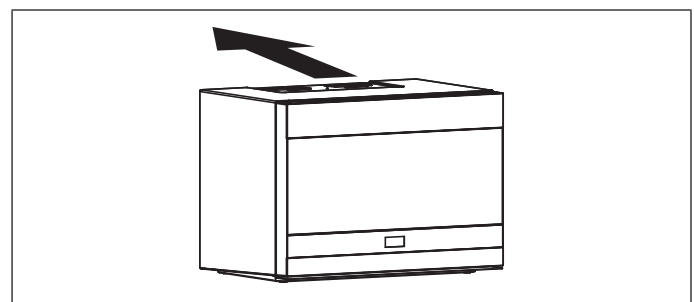
A. SORTIE D'ÉVACUATION EXTÉRIEURE PAR LE HAUT (CONDUIT VERTICAL)

Consultez la page 11.



B. SORTIE D'ÉVACUATION EXTÉRIEURE À L'ARRIÈRE (CONDUIT HORIZONTAL)

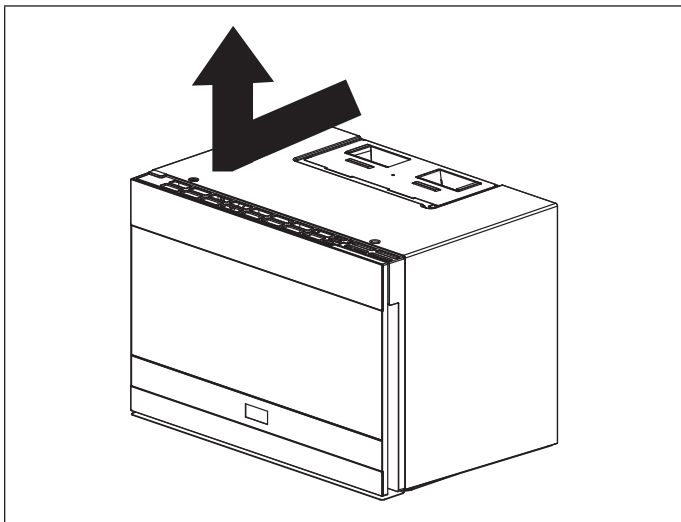
Consultez la page 13.



GUIDE D'INSTALLATION ÉTAPE PAR ÉTAPE

C. RECIRCULATION (NON VENTILÉ, SANS CONDUIT)

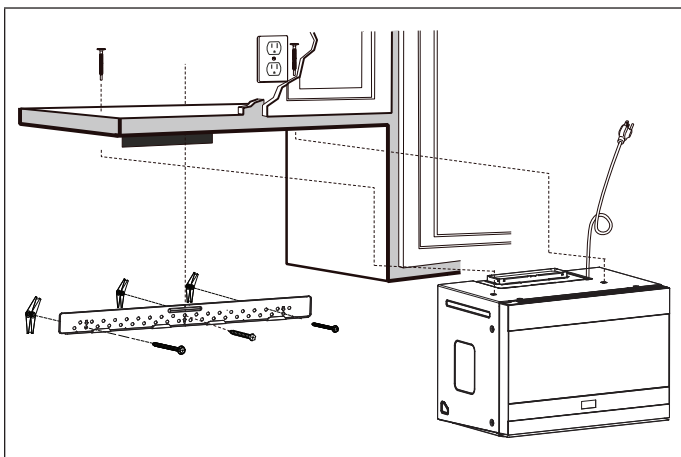
Consultez la page 17.



A. SORTIE D'ÉVACUATION EXTÉRIEURE PAR LE HAUT (CONDUIT VERTICAL) PAR DÉFAUT

Aperçu de l'installation

- A1. Fixez la plaque de montage au mur
- A2. Utilisez le gabarit pour armoire supérieure pour la préparation de l'armoire supérieure
- A3. Vérifiez le fonctionnement approprié du registre
- A4. Installez le four à micro-ondes.
- A5. Ajustez l'adaptateur d'évacuation
- A6. Connectez le condu

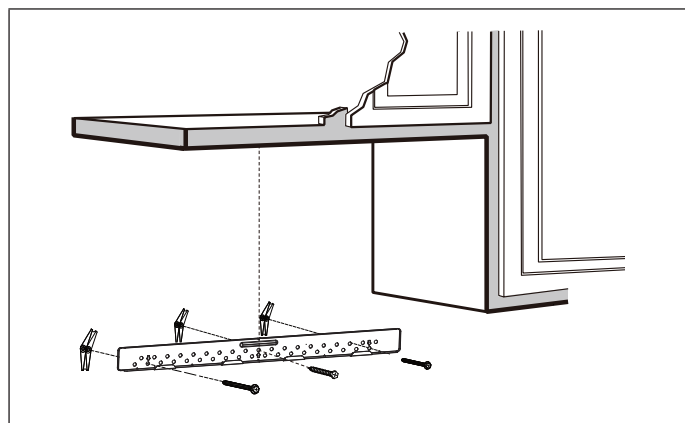


A1. FIXER LA PLAQUE DE MONTAGE AU MUR

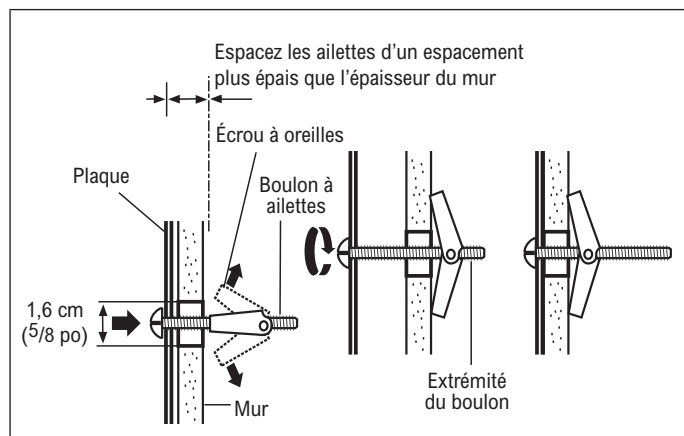
Fixez la plaque de montage au mur en utilisant les écrous à oreilles et les boulons à ailettes (0,5 x 7,6 cm / 3/16 x 3 po). Au moins une vis tire-fond doit être utilisé pour fixer la plaque de montage à un montant de cloison.

1. Insérez les boulons à ailettes (0,5 x 7,6 cm / 3/16 x 3 po) dans la plaque de montage à travers les trous effectués dans la cloison sèche et fixez les écrous à oreilles jusqu'à 1,9 cm (3/4 po) sur chaque boulon à ailettes (0,5 x 7,6 cm / 3/16 x 3 po).
2. Placez la plaque de montage contre le mur et insérez les écrous à oreilles dans les trous du mur pour installer la plaque.

⚠ AVERTISSEMENT Procédez avec précautions pour éviter de vous pincer les doigts entre l'arrière de la plaque de montage et le mur.



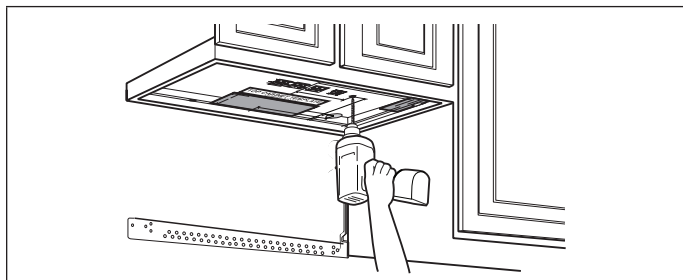
3. Serrez tous les boulons. Tirez la plaque de montage pour l'éloigner du mur pour vous aider à serrer les boulons.



GUIDE D'INSTALLATION ÉTAPE PAR ÉTAPE

A2. UTILISER LE GABARIT POUR ARMOIRE SUPÉRIEURE POUR LA PRÉPARATION DE L'ARMOIRE SUPÉRIEURE

Percez des trous pour les vis de soutien supérieur, un trou assez grand pour passer le cordon d'alimentation à travers et une découpe assez grande pour l'adaptateur d'évacuation.

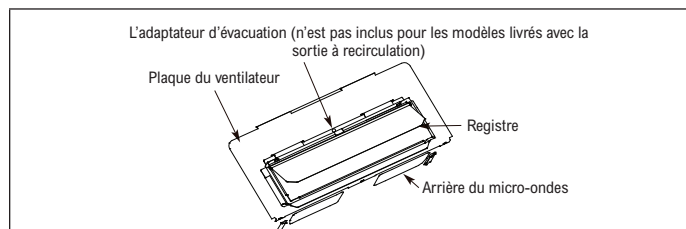


1. Lisez les instructions sur le GABARIT POUR ARMOIRE SUPÉRIEURE.
2. Collez le gabarit avec du ruban adhésif sous l'armoire supérieure.
3. Percez les trous, en suivant les instructions sur le GABARIT POUR ARMOIRE SUPÉRIEURE.

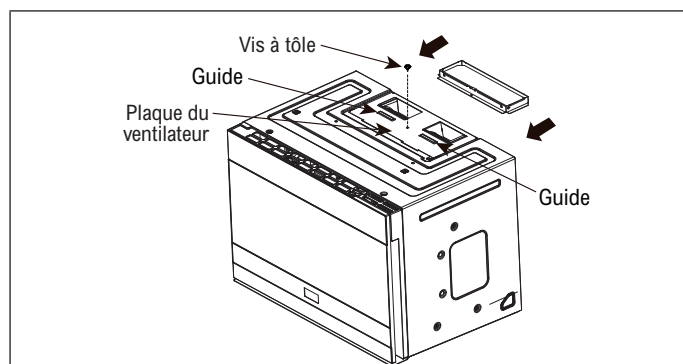
⚠ AVERTISSEMENT Portez des lunettes de sécurité lorsque vous percez des trous dans le bas de l'armoire.

A3. VÉRIFIER LE FONCTIONNEMENT APPROPRIÉ DU REGISTRE

1. Placez le micro-ondes dans sa position verticale, avec le dessus de l'unité vers le haut.
2. L'adaptateur d'évacuation est utilisé uniquement dans les installations à évacuation extérieure par le haut et par l'arrière. L'adaptateur d'évacuation n'est pas utilisé pour les modèles à ventilation pour la recirculation d'air.
3. Assurez-vous que le ruban adhésif qui maintient le registre en place est enlevé et que le registre pivote facilement avant d'installer le micro-ondes.



4. Fixez l'adaptateur d'évacuation à la plaque du ventilateur en la glissant dans les guides. Fixez l'adaptateur avec une vis à tôle fournie.



5. Vous devrez faire un ajustement pour assurer un alignement adéquat avec la gaine de votre conduit d'évacuation une fois le micro-ondes installé.

A4. INSTALLER LE FOUR À MICRO-ONDES

POUR FACILITER L'INSTALLATION ET POUR LA SÉCURITÉ PERSONNELLE, NOUS RECOMMANDONS D'ÊTRE DEUX PERSONNES POUR INSTALLER CE FOUR À MICRO-ONDES.

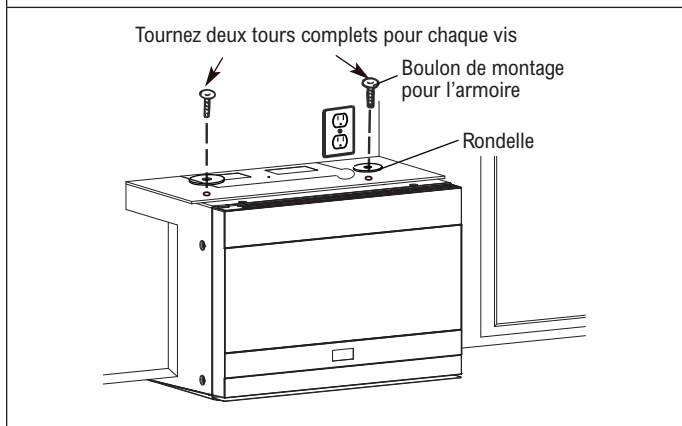
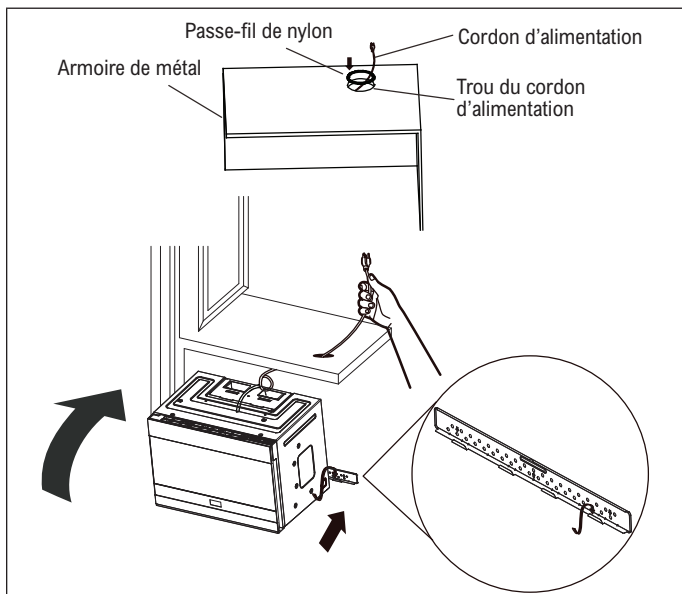
IMPORTANT : Ne vous agrippez pas ou n'utilisez pas la poignée pendant l'installation. Si aucune entretoise n'est utilisée, l'extérieur du boîtier de l'appareil peut être endommagé en vissant les vis trop serrées.

Remarque : Si votre armoire est en métal, utilisez le passe-fil de nylon autour du cordon d'alimentation pour empêcher le cordon de se sectionner. Nous recommandons l'utilisation d'entretoises si l'avant de l'armoire est suspendu sous la tablette inférieure de l'armoire.

Lorsque vous installez le four à micro-ondes, passez le cordon d'alimentation à travers un trou dans le bas de l'armoire supérieure. Gardez-le serré tout au long des étapes 1 à 4. Ne pincez pas le cordon ou ne soulevez pas le four avec le cordon.

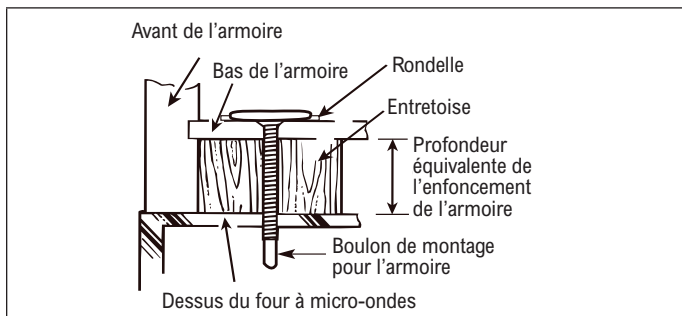
1. Soulevez le micro-ondes, basculez-le vers l'avant et accrochez les fentes du rebord arrière inférieur dans les languettes inférieures sur la plaque de montage.
2. Faites pivoter le devant du four vers le bas de l'armoire.
3. Fixez le four à micro-ondes à l'armoire.
4. Insérez les boulons d'assemblage pour l'armoire (0,6 x 7,6 cm / 1/4 x 3 po) à travers les trous dans l'armoire supérieure. Fixez temporairement le four en tournant la vis au moins deux tours complets, après que les filets soient complètement engagés. (Elle sera serrée complètement plus tard.) Assurez-vous de garder le cordon d'alimentation bien tendu. Faites preuve de précaution pour ne pas écraser le cordon d'alimentation, spécialement lorsque vous faites une installation directement égale avec le fond de l'armoire.

GUIDE D'INSTALLATION ÉTAPE PAR ÉTAPE

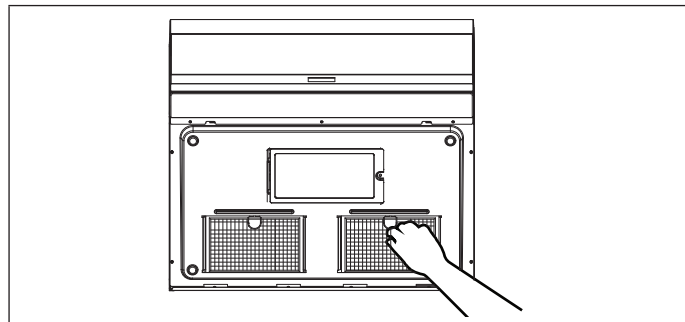


L'entretoise est utilisée uniquement pour une armoire encastrée et une armoire avec un surplomb avant (voir le type d'armoire à la page 8 et 9), vous devez placer l'entretoise dans le bas de l'armoire avant d'installer le four.

5. Serrez les deux vis extérieures sur le dessus du four à micro-ondes. (Pendant que vous serrez les vis, maintenez le four à micro-ondes en place contre le mur et contre l'armoire.)

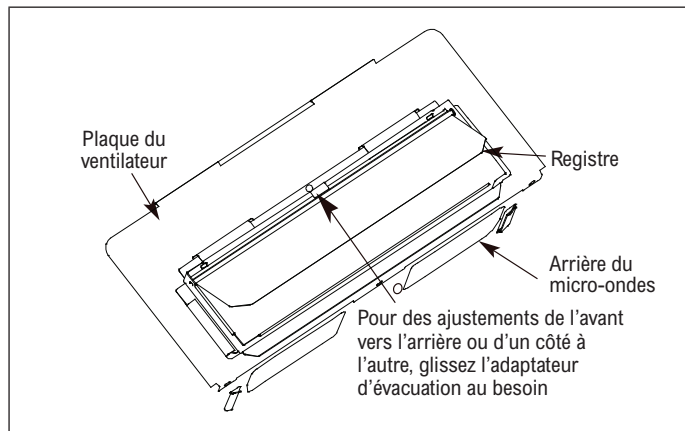


6. Installez les filtres pour la graisse. Consultez le manuel d'utilisation livré avec le micro-ondes.



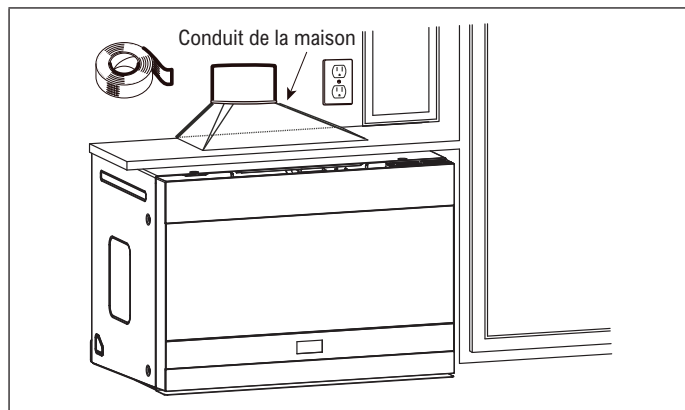
A5. AJUSTER L'ADAPTATEUR D'ÉVACUATION

Ouvrez l'armoire supérieure et ajustez l'adaptateur d'évacuation pour connecter le conduit de la maison.



A6. CONNEXION DU CONDUIT

1. Prolongez le conduit de la maison pour vous connecter à l'adaptateur d'évacuation.
2. Scellez les joints du conduit d'évacuation en utilisant du ruban à conduit.

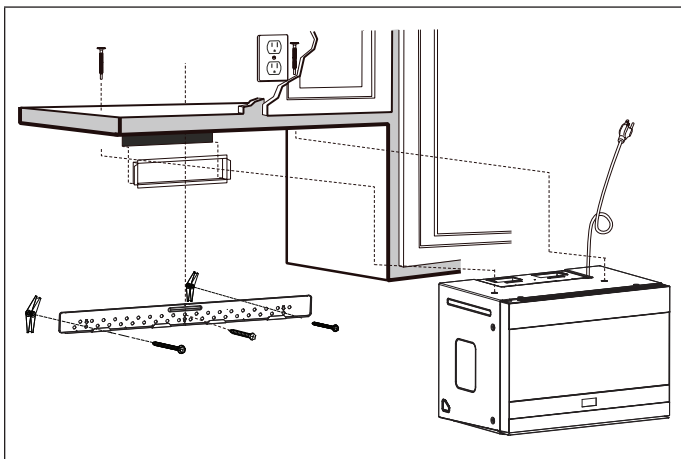


GUIDE D'INSTALLATION ÉTAPE PAR ÉTAPE

B. SORTIE D'ÉVACUATION EXTÉRIÈRE À L'ARRIÈRE (CONDUIT HORIZONTAL)

Aperçu de l'installation

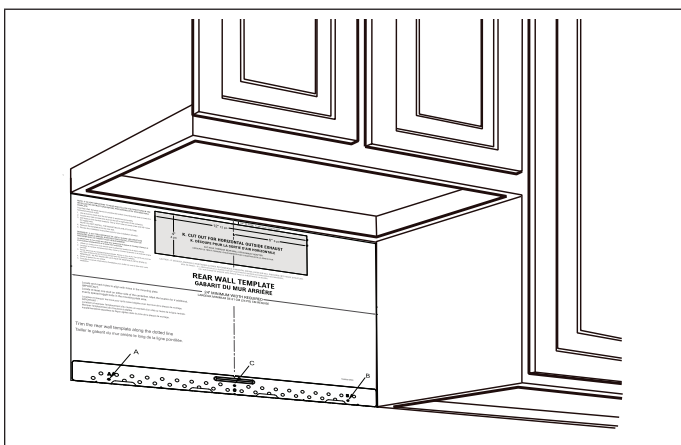
- B1. Préparez le gabarit mural arrière pour la sortie d'évacuation arrière à l'extérieur.
- B2. Fixez la plaque de montage au mur.
- B3. Utilisez le gabarit pour armoire supérieure pour la préparation de l'armoire supérieure
- B4. Adapter le ventilateur du micro-ondes pour une évacuation extérieur à l'arrière.
- B5. Installez le four à micro-ondes.



B1. PRÉPARER LE GABARIT MURAL ARRIÈRE POUR LA SORTIE D'ÉVACUATION ARRIÈRE À L'EXTÉRIEUR.

Vous devez découper une ouverture (trou rectangulaire de 30,5 x 10,2 cm / 12 x 4 po) dans le gabarit mural arrière pour la sortie d'évacuation extérieure.

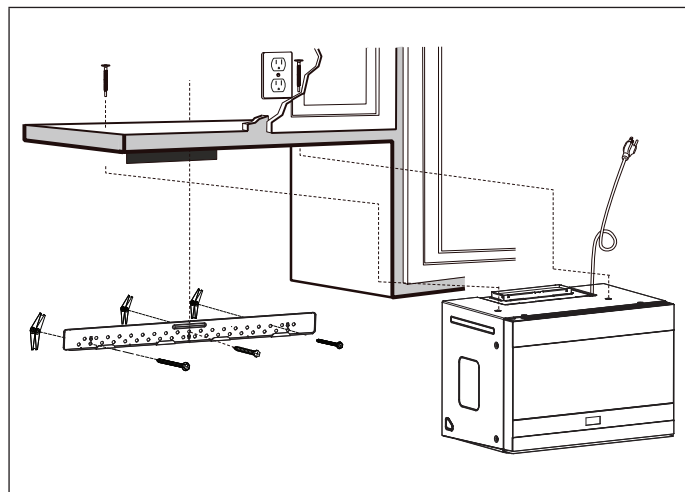
1. Lisez les instructions sur le gabarit mural ARRIÈRE.
2. Collez avec du ruban adhésif sur le mur arrière, en l'alignant avec les trous percés précédemment pour les trous A et B dans la plaque murale.
3. Découpez l'ouverture, suivez les instructions du GABARIT MURAL ARRIÈRE.



B2. FIXER LA PLAQUE DE MONTAGE AU MUR

Fixez la plaque de montage au mur en utilisant les écrous à oreilles et les boulons à ailettes (0,5 x 7,6 cm / 3/16 x 3 po). Au moins une vis tire-fond doit être utilisé pour fixer la plaque de montage à un montant de cloison.

1. Insérez les boulons à ailettes (0,5 x 7,6 cm / 3/16 x 3 po) dans la plaque de montage à travers les trous effectués dans la cloison sèche et fixez les écrous à oreilles jusqu'à 1,9 cm (3/4 po) sur chaque boulon à ailettes (0,5 x 7,6 cm / 3/16 x 3 po).

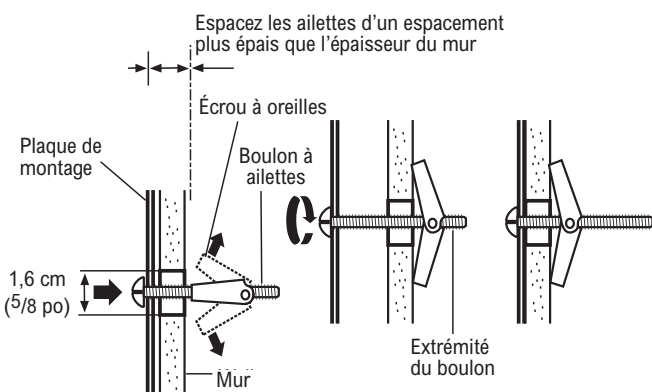


2. Placez la plaque de montage contre le mur et insérez les écrous à oreilles dans les trous du mur pour installer la plaque.

⚠ AVERTISSEMENT Procédez avec précautions pour éviter de vous pincer les doigts entre l'arrière de la plaque de montage et le mur.

3. Serrez tous les boulons. Tirez la plaque de montage pour l'éloigner du mur pour vous aider à serrer les boulons.

POUR UTILISER LE BOULON À AILETTES



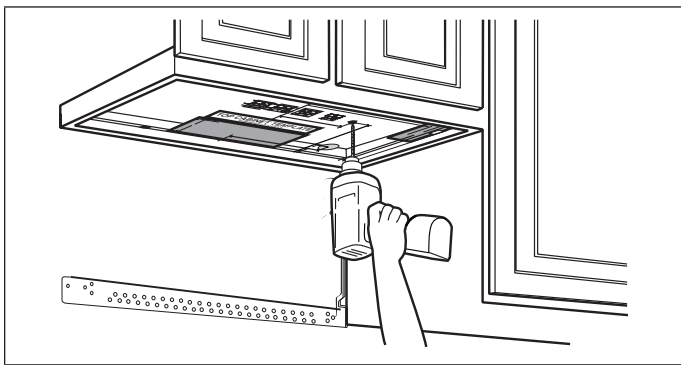
GUIDE D'INSTALLATION ÉTAPE PAR ÉTAPE

B3. UTILISER LE GABARIT POUR ARMOIRE SUPÉRIEURE POUR LA PRÉPARATION DE L'ARMOIRE SUPÉRIEURE

Vous devez percer des trous pour les vis de support supérieur et un trou assez grand pour que le cordon d'alimentation puisse passer à travers.

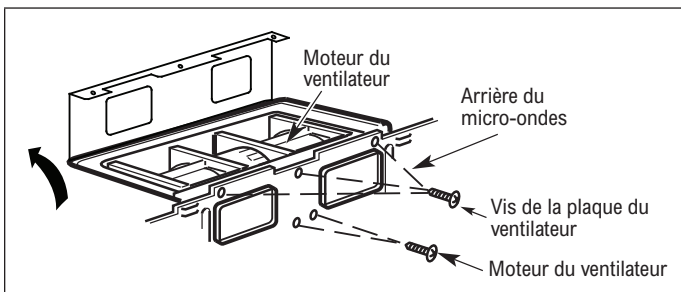
1. Lisez les instructions sur le GABARIT POUR ARMOIRE SUPÉRIEURE.
2. Collez-le avec du ruban adhésif sous l'armoire supérieure.
3. Percez les trous, en suivant les instructions sur le GABARIT POUR ARMOIRE SUPÉRIEURE.

AVERTISSEMENT Portez des lunettes de sécurité lorsque vous percez des trous dans le bas de l'armoire.

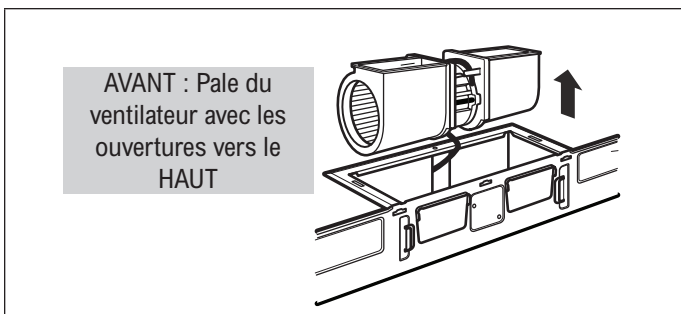


B4. ADAPTER LE VENTILATEUR DU MICRO-ONDES POUR UNE ÉVACUATION EXTÉRIEUR À L'ARRIÈRE.

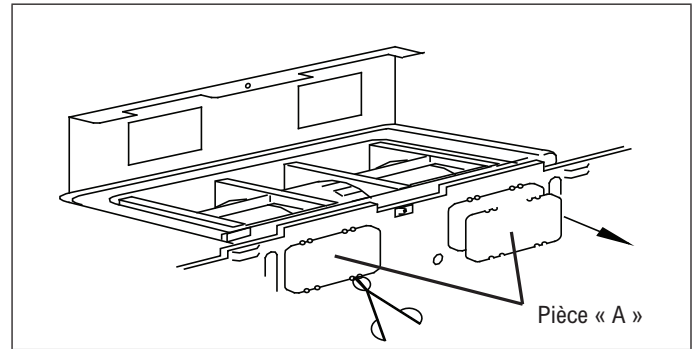
1. Enlevez et conservez la vis qui maintient le moteur du ventilateur au micro-ondes. Soulevez la plaque du ventilateur.



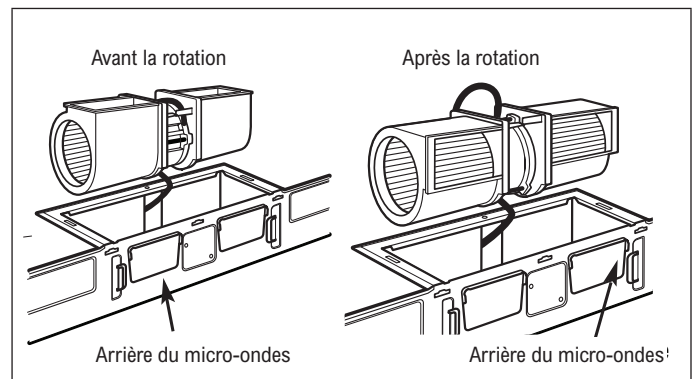
2. Sortez lentement l'unité du ventilateur. Les fils pourront être sortis suffisamment pour vous permettre d'ajuster l'unité du ventilateur.



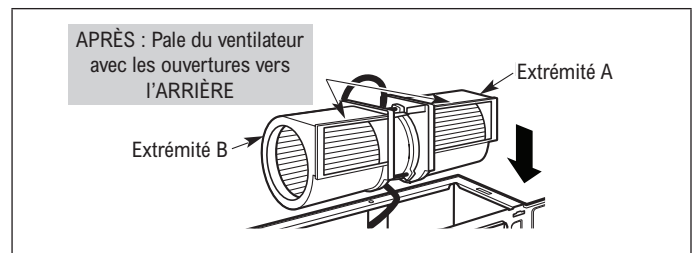
3. Enlevez les Pièces « A » avec des cisailles de ferblantier.



4. Tournez l'unité du ventilateur à 90° dans le sens contraire aux aiguilles d'une montre.



5. Remplacez l'unité du ventilateur dans l'ouverture.

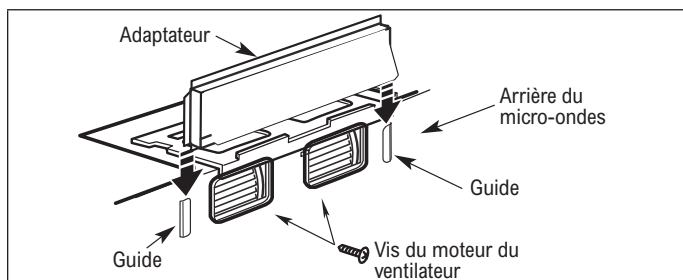


AVERTISSEMENT Ne tirez pas ou n'étirez pas le câblage de l'unité du ventilateur. Assurez-vous que les fils ne sont pas écrasés ou pincés.

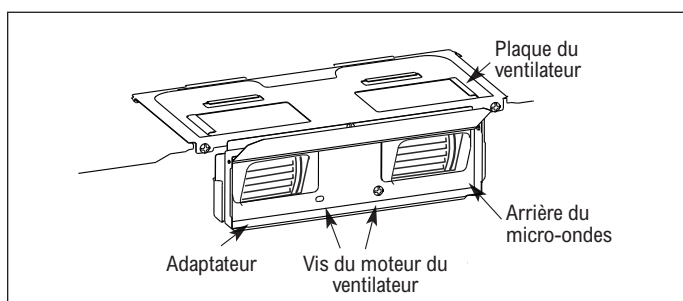
Remarque : Les ouvertures de sortie de l'unité du ventilateur doivent correspondre avec les ouvertures de sortie d'évacuation à l'arrière du four à micro-ondes.

GUIDE D'INSTALLATION ÉTAPE PAR ÉTAPE

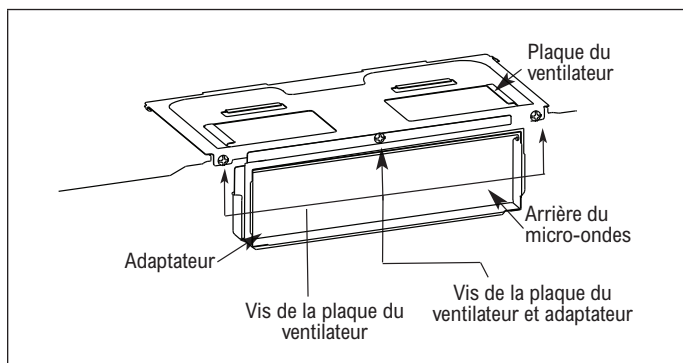
6. Remplacez la plaque du ventilateur dans la même position.
7. Fixez l'adaptateur d'évacuation à l'arrière du four en le glissant dans les guides sur la partie supérieure centrale à l'arrière du four. Poussez-le dans l'unité jusqu'à ce que les vis inférieures du moteur du ventilateur soient vissables. Assurez-vous que la charnière du registre est installée de manière à ce qu'elle soit sur le dessus et que le registre puisse pivoter librement.



8. Vissez l'unité du moteur du ventilateur au micro-ondes avec des vis, comme vu auparavant.



9. Vissez la plaque du ventilateur au micro-ondes avec les vis. Remplacez la plaque du ventilateur dans la même position.



B5. INSTALLER LE FOUR À MICRO-ONDES

POUR FACILITER L'INSTALLATION ET POUR LA SÉCURITÉ PERSONNELLE, NOUS RECOMMANDONS D'ÊTRE DEUX PERSONNES POUR INSTALLER CE FOUR À MICRO-ONDES.

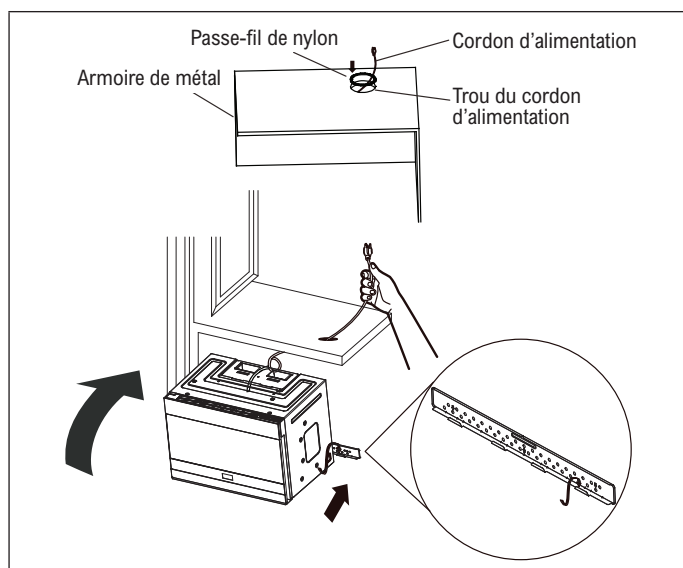
IMPORTANT : Ne vous agrippez pas ou n'utilisez pas la poignée pendant l'installation. Si aucune entretoise n'est utilisée, l'extérieur du boîtier de l'appareil peut être endommagé en vissant les vis trop serrées.

Remarque : Si votre armoire est en métal, utilisez le passe-fil de nylon autour du cordon d'alimentation pour empêcher le cordon de se sectionner. Nous recommandons l'utilisation d'entretoises si l'avant de l'armoire est suspendu sous la tablette inférieure de l'armoire.

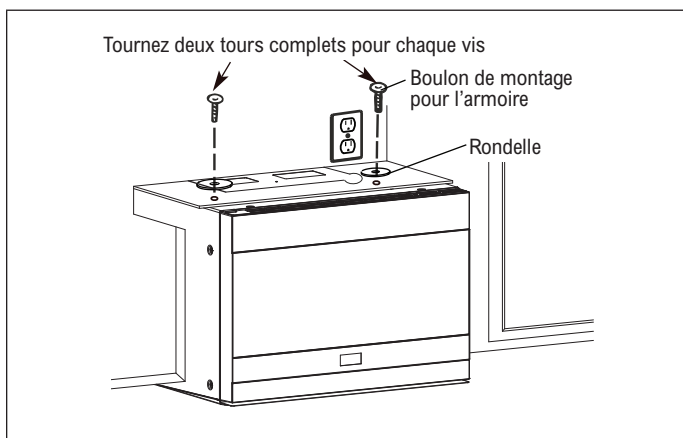
Lorsque vous installez le four à micro-ondes, passez le cordon d'alimentation à travers un trou dans le bas de l'armoire supérieure. Gardez-le serré tout au long des étapes 1 à 4.

Ne pincez pas le cordon ou ne soulevez pas le four avec le cordon.

1. Soulevez le micro-ondes, basculez-le vers l'avant et accrochez les fentes du rebord arrière inférieur dans les languettes inférieures sur la plaque de montage.
2. Faites pivoter le devant du four vers le bas de l'armoire.
3. Fixez le four à micro-ondes à l'armoire.
4. Insérez les boulons d'assemblage pour l'armoire (0,6 x 7,6 cm / 1/4 x 3 po) à travers les trous dans l'armoire supérieure. Fixez temporairement le four en tournant la vis au moins deux tours complets, après que les filets soient complètement engagés. (Elle sera serrée complètement plus tard.) Assurez-vous de garder le cordon d'alimentation bien tendu. Faites preuve de précaution pour ne pas écraser le cordon d'alimentation, spécialement lorsque vous faites une installation directement égale avec le fond de l'armoire.

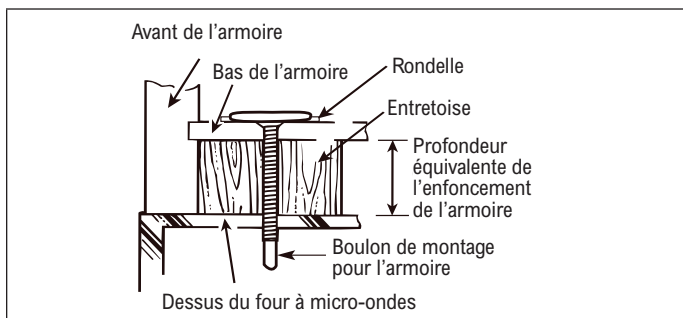


GUIDE D'INSTALLATION ÉTAPE PAR ÉTAPE

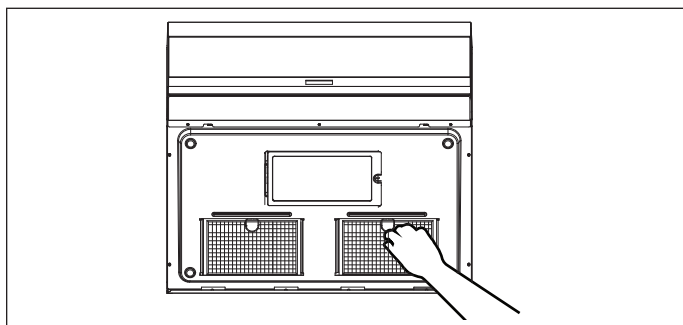


L'entretoise est utilisée uniquement pour une armoire encastrée et une armoire avec un surplomb avant (voir le type d'armoire à la page 8 et 9), vous devez placer l'entretoise dans le bas de l'armoire avant d'installer le four.

5. Serrez les deux vis extérieures sur le dessus du four à micro-ondes. (Pendant que vous serrez les vis, maintenez le four à micro-ondes en place contre le mur et contre l'armoire.)



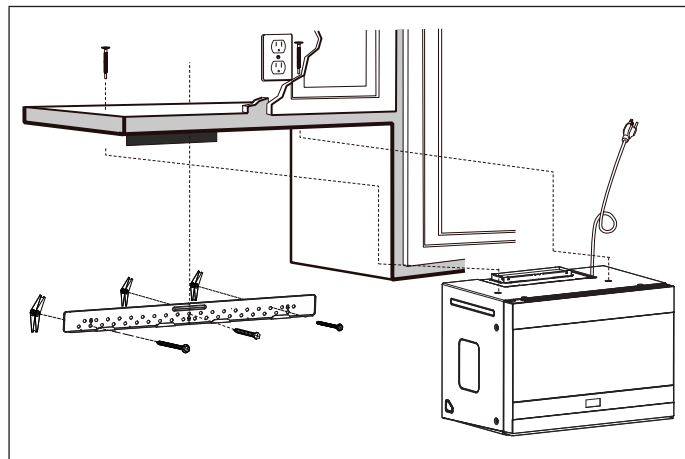
6. Installez les filtres pour la graisse. Consultez le manuel d'utilisation livré avec le micro-ondes.



C. RECIRCULATION (NON VENTILÉ, SANS CONDUIT)

Aperçu de l'installation

- C1. Fixer la plaque de montage au mur
- C2. Utiliser le gabarit pour armoire supérieure pour la préparation de l'armoire supérieure
- C3. Adapter le ventilateur pour la recirculation
- C4. Installer le four à micro-ondes.
- C5. Changer le filtre au charbon

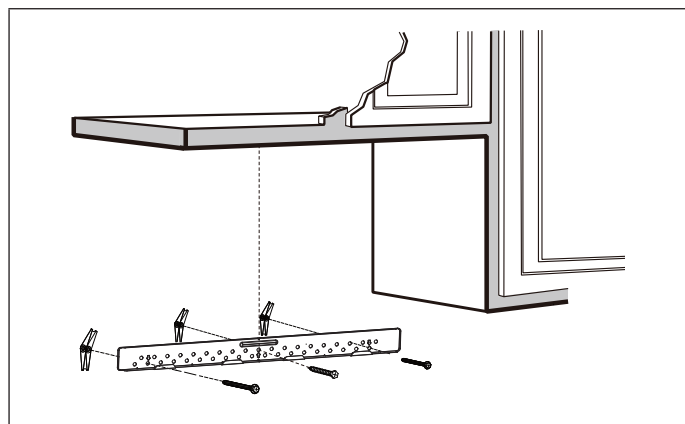


C1. FIXER LA PLAQUE DE MONTAGE AU MUR

Fixez la plaque de montage au mur en utilisant les écrous à oreilles et les boulons à ailettes (0,5 x 7,6 cm / 3/16 x 3 po). Au moins une vis tire-fond doit être utilisé pour fixer la plaque de montage à un montant de cloison.

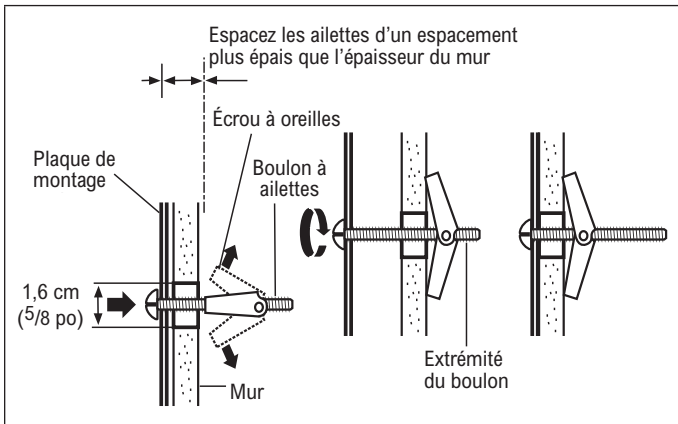
1. Insérez les boulons à ailettes (0,5 x 7,6 cm / 3/16 x 3 po) dans la plaque de montage à travers les trous effectués dans la cloison sèche et fixez les écrous à oreilles jusqu'à 1,9 cm (3/4 po) sur chaque boulon à ailettes (0,5 x 7,6 cm / 3/16 x 3 po).
2. Placez la plaque de montage contre le mur et insérez les écrous à oreilles dans les trous du mur pour installer la plaque.

⚠ AVERTISSEMENT Procédez avec précautions pour éviter de vous pincer les doigts entre l'arrière de la plaque de montage et le mur.



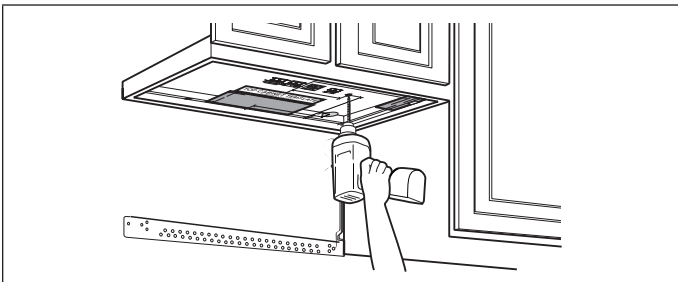
GUIDE D'INSTALLATION ÉTAPE PAR ÉTAPE

3. Serrez tous les boulons. Tirez la plaque de montage pour l'éloigner du mur pour vous aider à serrer les boulons.



C2. UTILISER LE GABARIT POUR ARMOIRE SUPÉRIEURE POUR LA PRÉPARATION DE L'ARMOIRE SUPÉRIEURE

Vous devez percer des trous pour les vis de support supérieur et un trou assez grand pour que le cordon d'alimentation puisse passer à travers.

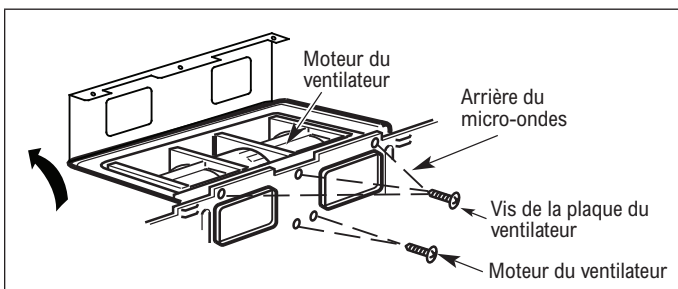


1. Lisez les instructions sur le GABARIT POUR ARMOIRE SUPÉRIEURE.
2. Collez le gabarit avec du ruban adhésif sous l'armoire supérieure.
3. Percez les trous, en suivant les instructions sur le GABARIT POUR ARMOIRE SUPÉRIEURE.

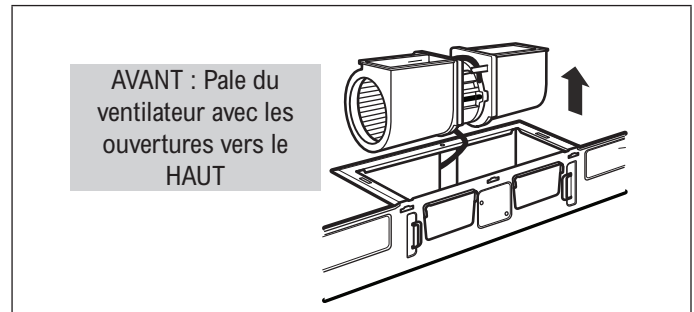
⚠ AVERTISSEMENT Portez des lunettes de sécurité lorsque vous percez des trous dans le bas de l'armoire.

C3. ADAPTER LE VENTILATEUR POUR LA RECIRCULATION

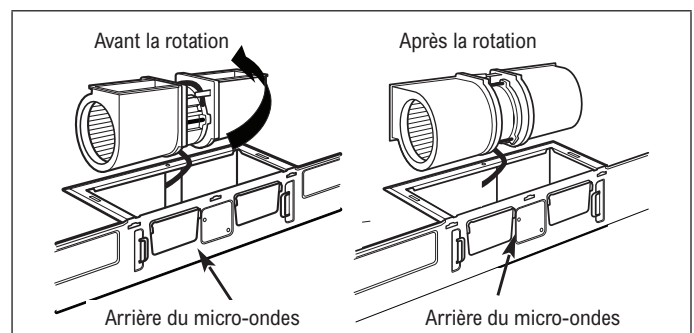
1. Enlevez et conservez la vis qui maintient le moteur du ventilateur au micro-ondes. Soulevez la plaque du ventilateur.



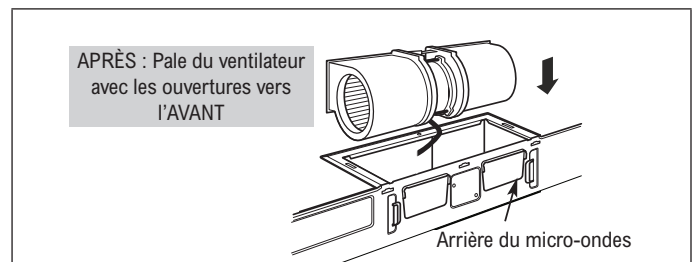
2. Sortez lentement l'unité du ventilateur. Les fils pourront être sortis suffisamment pour vous permettre d'ajuster l'unité du ventilateur.



3. Tournez l'unité du ventilateur à 90°.



4. Remplacez l'unité du ventilateur dans l'ouverture.



⚠ AVERTISSEMENT Ne tirez pas ou n'étirez pas le câblage de l'unité du ventilateur. Assurez-vous que les fils ne sont pas écrasés ou pincés.

Remarque : Les ouvertures de sortie de l'unité du ventilateur doivent correspondre avec les ouvertures de sortie d'évacuation à l'arrière du four à micro-ondes.

5. Remplacez la plaque du ventilateur dans la même position.

C4. INSTALLER LE FOUR À MICRO-ONDES

POUR FACILITER L'INSTALLATION ET POUR LA SÉCURITÉ PERSONNELLE, NOUS RECOMMANDONS D'ÊTRE DEUX PERSONNES POUR INSTALLER CE FOUR À MICRO-ONDES.

IMPORTANT : Ne vous agrippez pas ou n'utilisez pas la poignée pendant l'installation. Si aucune entretoise n'est utilisée, le boîtier de l'appareil peut être endommagé en vissant les vis trop serrées.

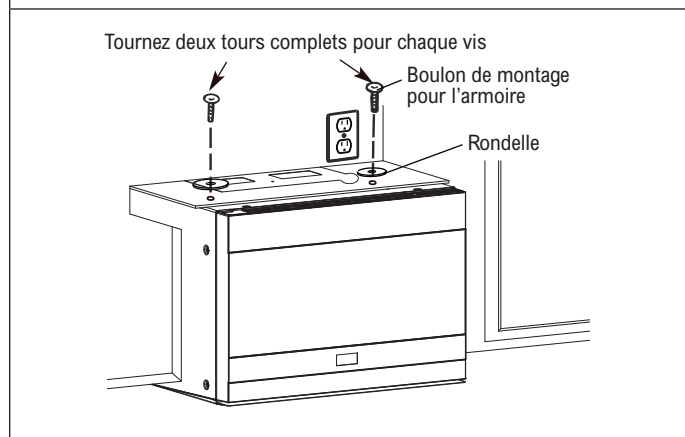
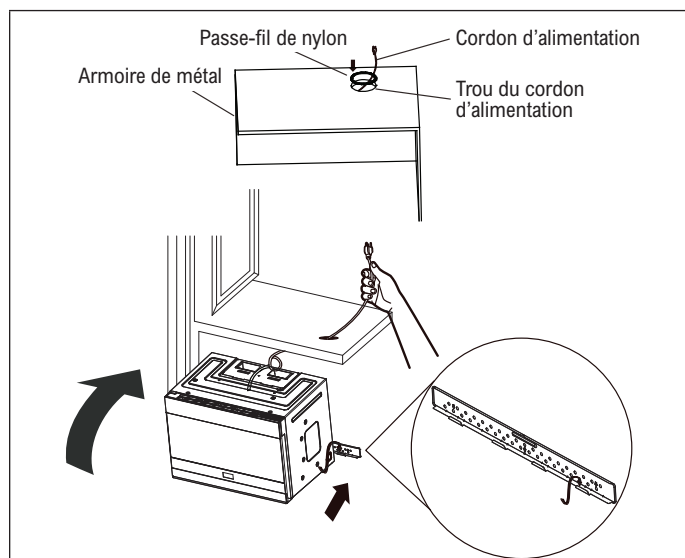
Remarque : Si votre armoire est en métal, utilisez le passe-fil de nylon autour du cordon d'alimentation pour empêcher le cordon de se sectionner. Nous recommandons l'utilisation d'entretoises si l'avant de l'armoire est suspendu sous la tablette inférieure de l'armoire.

GUIDE D'INSTALLATION ÉTAPE PAR ÉTAPE

Lorsque vous installez le four à micro-ondes, passez le cordon d'alimentation à travers un trou dans le bas de l'armoire supérieure. Gardez-le serré tout au long des étapes 1 à 4.

Ne pincez pas le cordon ou ne soulevez pas le four avec le cordon.

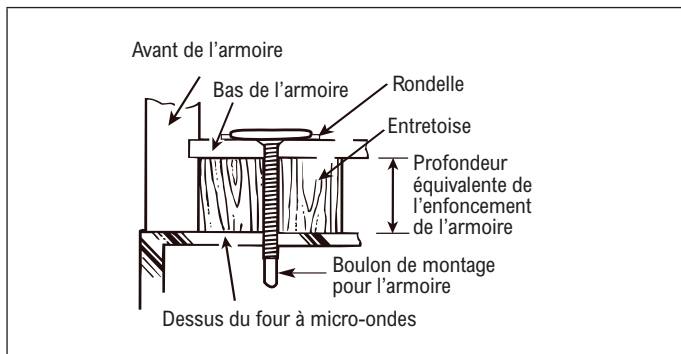
1. Soulevez le micro-ondes, basculez-le vers l'avant et accrochez les fentes du rebord arrière inférieur dans les languettes inférieures sur la plaque de montage.
2. Faites pivoter le devant du four vers le bas de l'armoire.
3. Fixez le four à micro-ondes à l'armoire.
4. Insérez les boulons d'assemblage pour l'armoire (0,6 x 7,6 cm / 1/4 x 3 po) à travers les trous dans l'armoire supérieure. Fixez temporairement le four en tournant la vis au moins deux tours complets, après que les filets soient complètement engagés. (Elle sera serrée complètement plus tard.) Assurez-vous de garder le cordon d'alimentation bien tendu. Faites preuve de précaution pour ne pas écraser le cordon d'alimentation, spécialement lorsque vous faites une installation directement égale avec le fond de l'armoire.



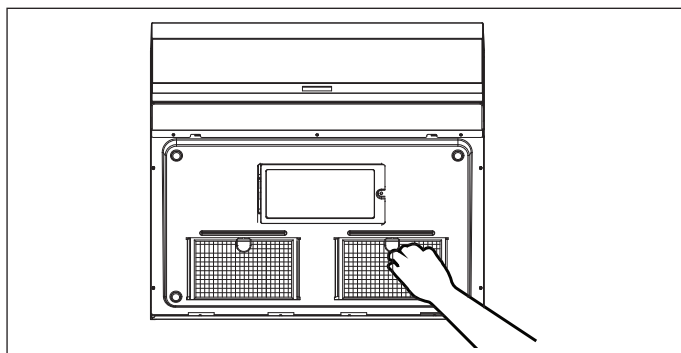
L'entretoise est utilisée uniquement pour une armoire encastrée et une armoire avec un surplomb avant (voir le type d'armoire à la page 8 et 9), vous devez placer l'entretoise dans le bas de l'armoire avant d'installer le four.

5. Serrez les deux vis extérieures sur le dessus du four à micro-ondes.

(Pendant que vous serrez les vis, maintenez le four à micro-ondes en place contre le mur et contre l'armoire.)



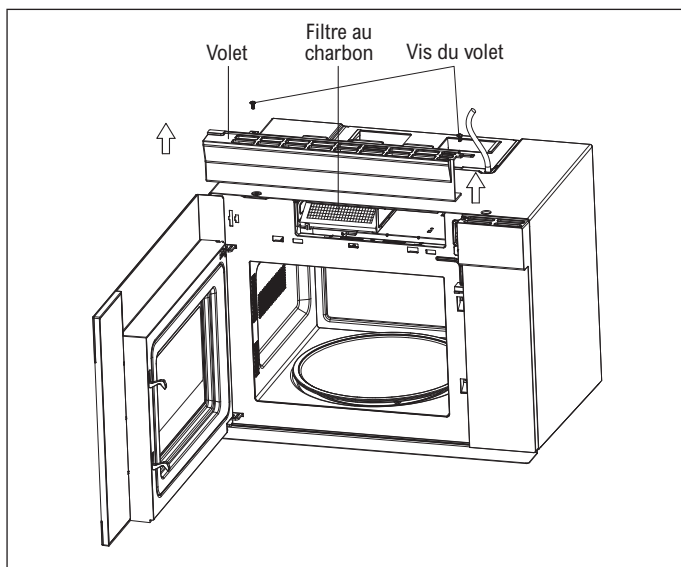
6. Installez les filtres pour la graisse. Consultez le manuel d'utilisation inclus avec le micro-ondes.



C5. CHANGER LE FILTRE AU CHARBON

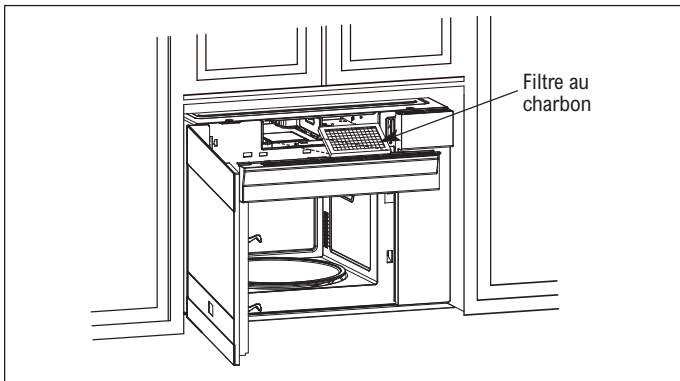
Le filtre au charbon est utilisé pour les installations non ventilées à recirculation. Le filtre doit être changé tous les 6 à 12 mois selon l'utilisation.

1. Enlevez les deux vis sur le volet qui est sur le dessus du four à l'aide d'un tournevis étoile no 1.

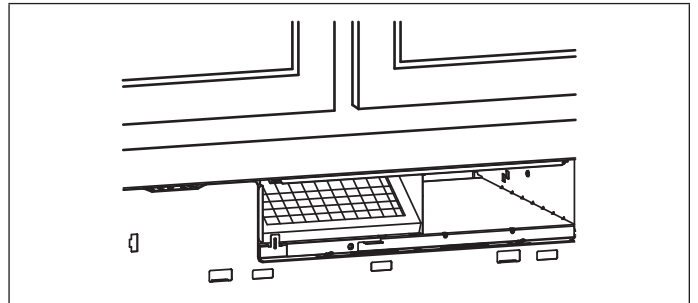


GUIDE D'INSTALLATION ÉTAPE PAR ÉTAPE

2. Ouvrez la porte et enlevez le volet et sortez l'ancien filtre au charbon



3. Installez le nouveau filtre au charbon. Lorsque correctement installé, le grillage métallique du filtre doit être visible à l'avant.



4. Remplacez le volet et les vis.

SHARP®

SHARP ÉLECTRONIQUE DU CANADA LTÉE • 335, rue Britannia Est • Mississauga, Ontario • L4Z 1W9 • Canada