

SHARP®

Simply Better Living

Induction Cooktop

SCH2443GB

7500
WATTS

24"
WIDTH

Contemporary European Black Mirror Finish Made with Premium EuroKera® Glass

Four Induction Cooking Zones Including a Bridge Zone for Larger Cookware and Griddles

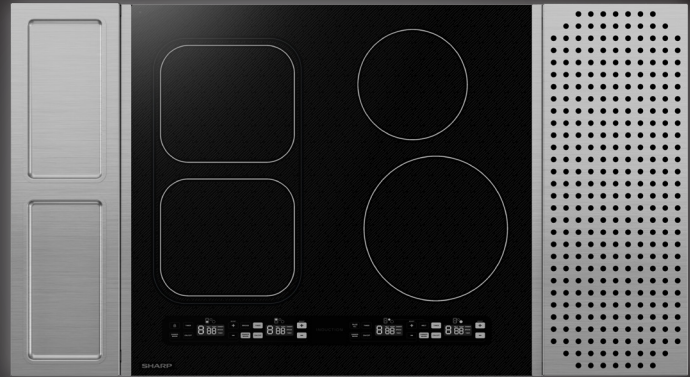
Power Boost Increases Power by up to 67% Depending on Cooking Zone

Easy-to-read, Bright White LED Display

Residual Heat Indicator for Each Cooking Zone

Can be Installed Over a Sharp® 24 in. European Convection Built-In Single Wall Oven

Included Magnetic Stainless Steel Side Accessories are Convenient for Resting Utensils and Cookware



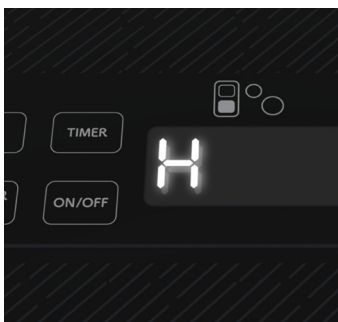
DESIGNED FOR YOUR DREAM KITCHEN

The Sharp® SCH2443GB Induction Cooktop is a powerful, beautiful addition to your dream kitchen. The black mirror finish of the glass surface is a perfect match and can be combined with our Easy Wave Open Microwave Drawer™ Oven and our 24 in. European Convection Built-In Single Wall Oven.

The four cooking zones provide flexibility to orchestrate even your most elaborate entertaining. The SCH2443GB features a variable-sized zone. More precise than gas, more energy efficient than radiant electric, the Sharp Induction Cooktop is faster than both. There is a kitchen timer, and even a Power Boost setting for those times when you just need that pasta water to boil quickly. The Simmer, Melt, and Warm settings provide low, consistent cooking performance for your most delicate soups, sauces, and fondues. Heat is generated directly into the cookware itself, so there is less wasted energy. And without an open flame or radiant coil, spills and splatters are less likely to burn, and a breeze to clean up.

The SCH2443GB has advanced safety features. All of the cooktop controls can be locked-down. Cookware must be present for a cooking zone to turn on, so you won't accidentally turn it on, or leave it on after you remove the pan. Each cooking zone has a dedicated timer to turn off the cooking zone after 99 minutes of use.

Powerful and efficient, fast and flexible, the beautiful Sharp SCH2443GB Induction Cooktop is certainly Simply Better Living.



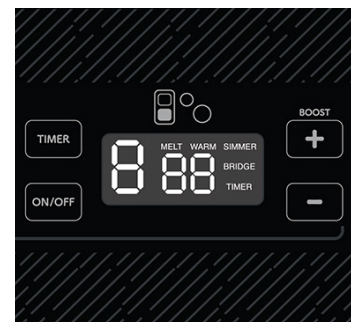
The residual heat indicator lets you know if a cooking zone is still hot.



The SCH2443GB offers a bridge element for oblong pans and longer cookware.



Simmer Enhancer precisely holds the temperature for extraordinarily consistent simmering.



Bright white LED controls make the touch glass clear and easy to read.

SHARP ELECTRONICS CORPORATION
100 Paragon Drive, Montvale NJ, 07645
1.800.237.4277 • www.sharppusa.com

SHARP®

Be Original.

SHARP®

Simply Better Living

Induction Cooktop

SCH2443GB**7500
WATTS****24"
WIDTH****SPECIFICATIONS****DESIGN**

Size	24" Wide
Number of Cooking Zones	4
Color	Black

CONTROLS

Control Type	Glass Touch
Control Location	Front Center
Display	White LED

FEATURES

Power Adjustment Levels	1 - 9
Power Boost Mode "P"	All Zones
Warm "A"	Yes, All Zones
Simmer "A"	Yes, All Zones
Melt "A"	Yes, All Zones
Simmer Enhancer Cooking Zones	Yes, All Zones
1-99 Minute Timer / Zone	Yes, All Zones
Automatic Pan Detection	Yes, All Zones
Pan Size Detection	Yes, All Zones
Residual Heat Indicator "H"	Yes, All Zones
Control Lock	Yes
Auto Turn Off	Yes
Ventilation Spacers	Yes, 4

ZONE ONE

Location	Left Rear
Size	8.26" x 7.08"
Element Performance / Boost	2100W/3500W

ZONE TWO

Location	Left Front
Size	8.26" x 7.08"
Element Performance / Boost	2100W/3500W

ZONE THREE

Location	Right Rear
Size	5.7"
Element Performance / Boost	1200W/1800W

ZONE FOUR

Location	Right Front
Size	8.26"
Element Performance / Boost	2100W/3500W

BRIDGE ZONE

Location	Left Front + Left Rear
Size	14.50"L x 8.31"W
Element Performance / Boost	3300W Max

MAGNETIC STAINLESS STEEL SIDE ACCESSORIES

Cooling Zone	8.0" x 21.0"
Spoon Rest	6.0" x 21.0"
Dishwasher Safe	Yes, Both

TECHNICAL DETAILS

Total Wattage	7500W
Voltage	240v, 60Hz
Amps	30A
Agency Certifications	ETL, CETL, FCC, CSA
Approved for Combination	Yes
Installation with Sharp Appliances**	

DIMENSIONS & WEIGHT (in./lbs.) (w x h x d)

Cutout Dimensions	22 7/16" x 4 1/2" 19 5/8"
Product Dimensions	24.0" x 2 1/2" x 21.0"
Shipping Dimensions	30 3/4" x 9 1/2" x 25.0"
Product Weight / Shipping Weight	34.0 lbs. / 39.0 lbs.

WARRANTY/UPC

Parts	1 year limited
Labor	1 year limited
UPC	074000621619

Approved to be installed over a Sharp® 24 in. European Convection Built-In Single Wall Oven or a Sharp Microwave Drawer™ Oven.

Product specifications and design are subject to change without notice.

© 2022 Sharp Electronics Corporation. All rights reserved.

Sharp and all related trademarks are trademarks or registered trademarks of Sharp Corporation and/or its affiliated companies. All other trademarks are property of their respective owners.

QUESTIONS?

1.800.BE.SHARP

SIMPLY BETTER LIVING

At Sharp Home Electronics Company of America, we are committed to Simply Better Living. Our innovative home appliance products are SIMPLE to use, BETTER than the competition, and encourage a HEALTHY LIFESTYLE.

SHARP ELECTRONICS CORPORATION
100 Paragon Drive, Montvale NJ, 07645
1.800.237.4277 • www.sharppusa.com

**SHARP®**

Be Original.

SHARP

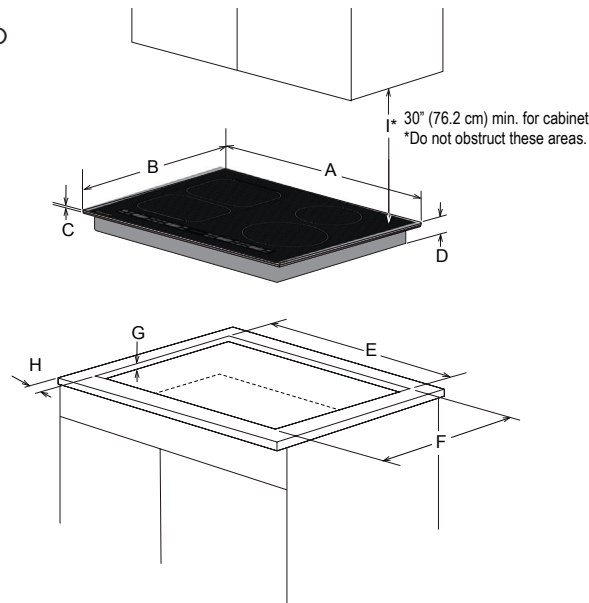
Simply Better Living

Induction Cooktop

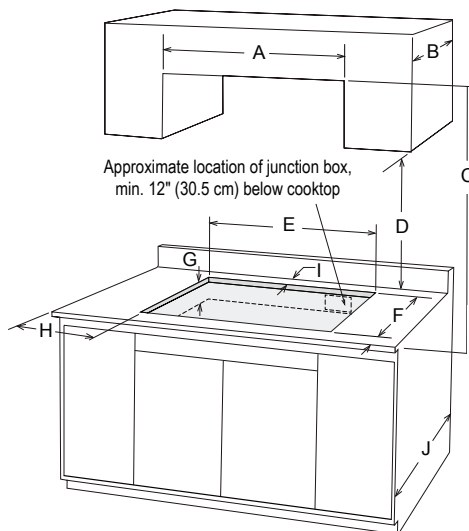
SCH2443GB**7500
WATTS****24"
WIDTH**

The following are measurements only. Do not use to install.

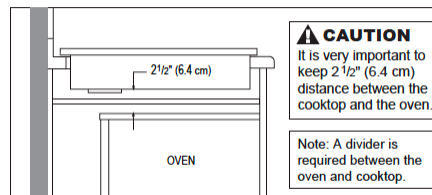
For detailed installation instructions, please refer to the installation manual.

COOKTOP AND CUTOUT DIMENSIONS

- A. 24" (61 cm)
- B. 21" (53.3 cm)
- C. 3/16" (5 mm)
- D. 211/16" (6.8 cm)
- E. 227/16" (56.7 cm)
- F. 195/8" (49.8 cm)
- G. Minimum: 13/32" (1 cm)
Maximum: 25/32" (2 cm)
- H. Minimum: 2" (5.1 cm)
- I. Minimum: 30" (76.2 cm)

COOKTOP CUTOUT OPENING DIMENSIONS

- A. 24" (61 cm)
- B. 13" (33 cm)
- C. Minimum: 30" (76.2 cm) to unprotected wood
- D. 18" (45.7 cm)
- E. 227/16" (56.7 cm)
- F. 195/8" (49.8 cm)
- G. Minimum: 41/2" (11.4 cm)
- H. Minimum: 2" (5.1 cm)
- I. Minimum: 2" (5.1 cm)
- J. 24" (61 cm)



CAUTION
It is very important to keep 2 1/2" (6.4 cm) distance between the cooktop and the oven.

Note: A divider is required between the oven and cooktop.

QUESTIONS?

1.800.BE.SHARP**SIMPLY BETTER LIVING**

At Sharp Home Electronics Company of America, we are committed to Simply Better Living. Our innovative home appliance products are SIMPLE to use, BETTER than the competition, and encourage a HEALTHY LIFESTYLE.

SHARP ELECTRONICS CORPORATION
100 Paragon Drive, Montvale NJ, 07645
1.800.237.4277 • www.sharppusa.com

**SHARP**

Be Original.