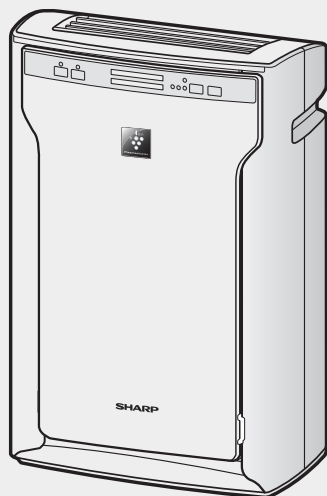


SHARP®

FP-A80U

FP-A60U



Free standing type
Tipo vertical soporte



Device of this mark is a trademark of Sharp Corporation.
"Plasmacluster" and "Device of a cluster of grapes" are registered trademarks of Sharp Corporation in Japan, USA and elsewhere.



This product earned the ENERGY STAR by meeting strict energy efficiency guidelines set by the US EPA. US EPA does not endorse any manufacturer claims of healthier indoor air from the use of this product.

The energy efficiency of this ENERGY STAR qualified model is measured based on a ratio between the model's CADR for Dust and the electrical energy it consumes, or CADR/Watt.

AIR PURIFIER
OPERATION MANUAL

PURIFICADOR DE AIRE
MANUAL DE OPERACIÓN

ENGLISH

ESPAÑOL

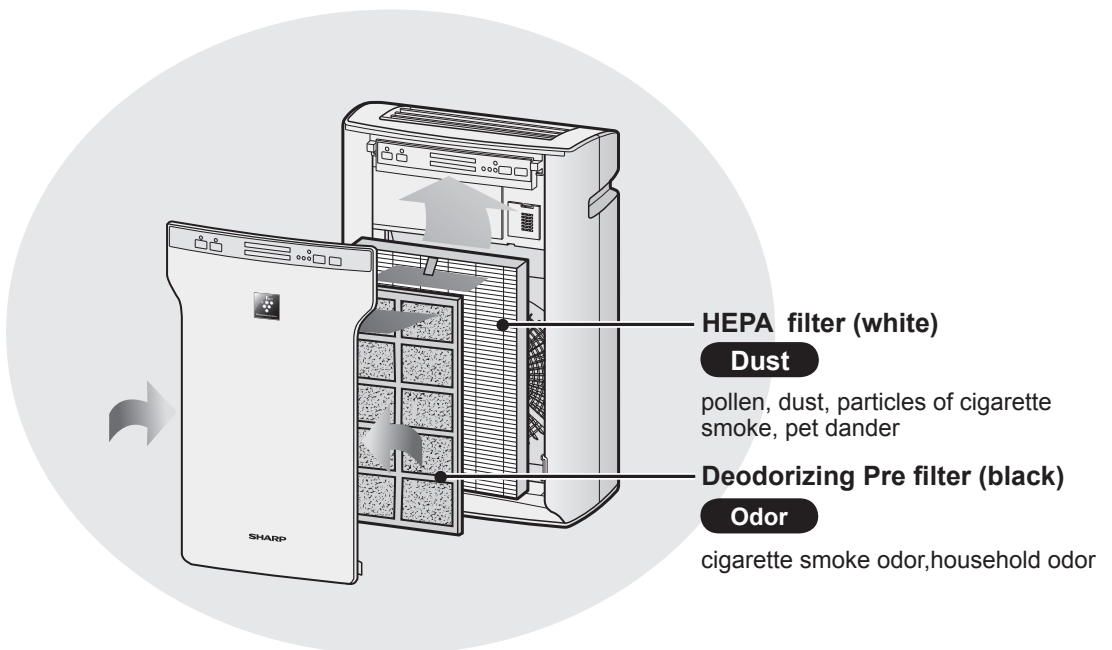
Please read before operating your new Air Purifier

Some odor ingredients absorbed by the filters may become separated and may be discharged through the air outlet and result in additional odor. Depending on the usage environment, especially when the product is used in a condition significantly more severe than household use, this odor may become strong in a shorter period than expected.

The air purifier is designed to remove air-suspended dust and odor, but not harmful gases (for example, carbon monoxide contained in cigarette smoke). If the odor sources still exist, it cannot completely remove the odor (for example, odors from construction materials and pet odors).

It is suggested to open the window a bit when you are smoking in order to facilitate ventilation.

In this case we recommend purchasing the optional replacement filter.



FEATURES

**Exclusive Combination of Air Treatment Technologies
Filtration System + Plasmacluster Ion**

DECREASES ODORS

Deodorizing Pre filter absorbs many common household odors.

REDUCES DUST, POLLEN, DANDER & MOLD*

HEPA filter traps 99.97% of particles as small as 0.3 microns.*

REFRESHES

Plasmacluster refreshes the air similar to the way nature cleans the environment by emitting a balance of positive and negative ions.

*From the air that is drawn through the filter system.

Room size : up to 454 sq.ft (FP-A80U)
up to 341 sq.ft (FP-A60U)

Declaration of Conformity

SHARP AIR PURIFIER FP-A80U / FP-A60U

This device complies with Part 18 of FCC rules.

Responsible Party:

SHARP ELECTRONICS CORPORATION
Sharp Plaza,
Mahwah, New Jersey 07495-1163

CONTENTS

FOR CUSTOMER ASSISTANCE(U.S)	E-2
CONSUMER LIMITED WARRANTY(U.S).....	E-3
IMPORTANT SAFETY INSTRUCTIONS ...	E-4
PART NAMES.....	E-6
FILTER INSTALLATION	E-8
OPERATION	E-9
MAINTENANCE	E-10
TROUBLESHOOTING	E-12
SPECIFICATIONS.....	E-13

Thank you for purchasing the SHARP Air Purifier. Please read this manual carefully. Before using this product, be sure to read the section: "Important Safety Instructions." After reading this manual, keep it in a convenient location for future reference.

FOR CUSTOMER ASSISTANCE (the United States)

To aid in answering questions if you call for service or for reporting loss or theft, please use the space below to record the model and serial number located on the back of the unit.

MODEL NUMBER

SERIAL NUMBER

DATE OF PURCHASE

Dealer Name

Address

City

State

Zip

Telephone

TO PHONE: Dial 1-800-BE-SHARP (237-4277) for:
SERVICE (for your nearest Sharp Authorized Servicer)
PARTS (for your Authorized Parts Distributor)
ACCESSORIES
ADDITIONAL CUSTOMER INFORMATION

TO WRITE: For service problems, warranty information, missing items and other assistance:
Sharp Electronics Corporation
Customer Assistance Center
1300 Naperville Drive
Romeoville, IL 60446-1091

TO ACCESS OUR WEB SITE: www.sharpusa.com

Please provide the following information when you write or call: model number, serial number, date of purchase, your complete mailing address (including zip code), your daytime telephone number (including area code) and description of the problem.

CONSUMER LIMITED WARRANTY

ENGLISH

CONSUMER LIMITED WARRANTY FOR U.S. USERS

SHARP ELECTRONICS CORPORATION warrants to the first consumer purchaser that this Sharp brand product (the "Product"), when shipped in its original container, will be free from defective workmanship and materials, and agrees that it will, at its option, either repair the defect or replace the defective Product or part thereof with a new or remanufactured equivalent at no charge to the purchaser for parts or labor for the period(s) set forth below.

This warranty does not apply to any appearance items of the Product nor to the additional excluded item(s) set forth below nor to any Product the exterior of which has been damaged or defaced, which has been subjected to improper voltage or other misuse, abnormal service or handling, or which has been altered or modified in design or construction.

In order to enforce the rights under this limited warranty, the purchaser should follow the steps set forth below and provide proof of purchase to the servicer.

The limited warranty described herein is in addition to whatever implied warranties may be granted to purchasers by law. ALL IMPLIED WARRANTIES INCLUDING THE WARRANTIES OF MERCHANTABILITY AND FITNESS FOR USE ARE LIMITED TO THE PERIOD(S) FROM THE DATE OF PURCHASE SET FORTH BELOW. Some states do not allow limitations on how long an implied warranty lasts, so the above limitation may not apply to you.

Neither the sales personnel of the seller nor any other person is authorized to make any warranties other than those described herein, or to extend the duration of any warranties beyond the time period described herein on behalf of Sharp.

The warranties described herein shall be the sole and exclusive warranties granted by Sharp and shall be the sole and exclusive remedy available to the purchaser. Correction of defects, in the manner and for the period of time described herein, shall constitute complete fulfillment of all liabilities and responsibilities of Sharp to the purchaser with respect to the Product, and shall constitute full satisfaction of all claims, whether based on contract, negligence, strict liability or otherwise. In no event shall Sharp be liable, or in any way responsible, for any damages or defects in the Product which were caused by repairs or attempted repairs performed by anyone other than an authorized servicer. Nor shall Sharp be liable or in any way responsible for any incidental or consequential economic or property damage. Some states do not allow the exclusion of incidental or consequential damages, so the above exclusion may not apply to you.

THIS WARRANTY GIVES YOU SPECIFIC LEGAL RIGHTS. YOU MAY ALSO HAVE OTHER RIGHTS WHICH VARY FROM STATE TO STATE.

<u>Your Product Model Number & Description:</u>	FP-A80U / FP-A60U Air Purifier. Be sure to have this information available when you need service for your Product.
<u>Warranty Period for this Product:</u>	One (1) year parts and labor from date of purchase.
<u>Additional Item(s) Excluded From Warranty Coverage:</u>	Appearance items of the Product, filters, accessories, or any printed materials. Product which has been used for rental and/or commercial purposes.
<u>Where to Obtain Service:</u>	From a Sharp Authorized Servicer located in the United States. To find the location of the nearest Sharp Authorized Servicer, call Sharp Toll Free at 1-800-BE-SHARP.
<u>What to Do to Obtain Service:</u>	Ship prepaid or carry in your Product to a Sharp Authorized Servicer. Be sure to have Proof of Purchase available. If you ship the Product, be sure it is insured and packaged securely.

TO OBTAIN ACCESSORY OR PRODUCT INFORMATION, CALL 1-800-BE-SHARP, OR VISIT OUR WEBSITE AT www.sharpsusa.com

SHARP®

SHARP ELECTRONICS CORPORATION

Sharp Plaza, Mahwah, New Jersey 07495-1163

IMPORTANT SAFETY INSTRUCTIONS

Read all instructions before using the unit.

When using electrical appliances, basic safety precautions should be followed, including the following:

WARNING - To reduce the risk of electrical shock, fire or injury to persons:

- Connect the power plug to a dedicated electrical outlet for 120V~60Hz.
 - The air purifier has a polarized plug (one blade is wider than the other). This plug will fit in a polarized outlet only one way. If the plug does not fit into the outlet, reverse it. If it still does not fit, contact a qualified electrician or service person. Do not alter the plug in any way.
 - Do not use the unit if the power cord or plug is damaged or the connection to the wall outlet is loosened.
 - Periodically remove dust from the power plug.
 - Do not use an extension cord.
 - Do not insert fingers or any objects into the air inlet or air outlet.
 - Do not unplug by pulling on cord. To unplug, grasp the plug.
 - Do not handle plug or unit with wet hands.
 - Unplug the electrical cord before performing any maintenance.
 - Do not use the unit if the cord has been damaged. Please contact the nearest Service Center.
 - Do not use near flammable gases and material such as insecticides, fragrances, and lit cigarettes.
 - Do not use in humid place such as bathrooms.
 - Contact the nearest Sharp Approved Service Center for any problems, adjustments, or repairs.
 - This appliance is not intended for use by persons (including children) with reduced physical, sensory or mental capabilities, or lack of experience and knowledge, unless they have been given supervision or instruction concerning use of the appliance by a person responsible for their safety.
- Children should be supervised to ensure they do not play with the appliance.

NOTE - Radio or TV Interference

If this air purifier should cause interference to radio or television reception, try to correct the interference by one or more of the following measures:

- Reorient or relocate the receiving antenna.
- Increase the separation between the unit and radio/TV receiver.
- Connect the equipment into an outlet on a circuit different from that to which the receiver is connected.
- Contact the dealer or an experienced radio/TV technician for help.

This product meets the requirement of the International standard CISPR 11.

In conformity with this standard, this product is classified as group 2 class B equipment.

Group 2 means that the equipment intentionally generates radio-frequency in the form of electromagnetic radiation for electro-discharge machining equipment.

Class B equipment means that the equipment is suitable to be used in domestic establishments.

CAUTIONS CONCERNING OPERATION

- Do not block any opening.
- Do not use the unit near or on hot objects, such as stoves or heaters or radiators.
- Do not use the unit on its side.
- Always hold the handle on both sides of the unit when moving it.

Holding the front panel when carrying may cause it to detach, thus dropping the unit and resulting in bodily injury.

- Do not use without filters inside the unit.
- Do not wash and reuse the filter.
It may not only make the performance worse, but also may cause electrical shock or malfunction.
- Clean the exterior with a soft cloth only.

Do not use corrosive cleansers, volatile fluids and/or detergents when cleaning the unit.
The unit surface may be damaged or cracked.

In addition, the sensor may malfunction as a result.

INSTALLATION GUIDELINES

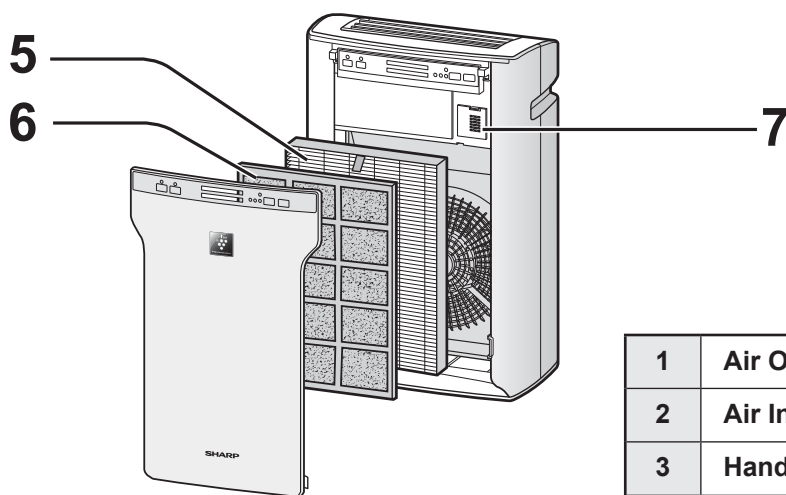
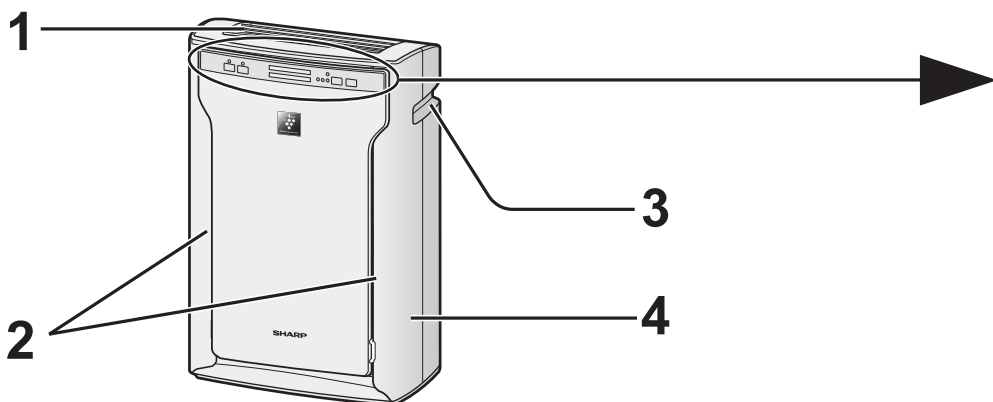
- Avoid locations where curtains, etc., come into contact with any opening.
It may become dirty or a malfunction may occur.
- Avoid locations where the unit is exposed to condensation, due to rapid temperature changes.
(If it is unavoidable please allow unit to stand for 1 hour before switching on.)
(Use under appropriate conditions between 32 - 95°F (0 - 35°C) room temperature.)
- Place on a stable surface with sufficient air circulation.
When placing the unit on a heavily carpeted area, it may cause the unit to vibrate slightly.
- Avoid use in locations where greasy or oily smoke is generated (such as in a kitchen, etc.).
The unit surface may crack or the sensor may malfunction as a result.

FILTER GUIDELINES

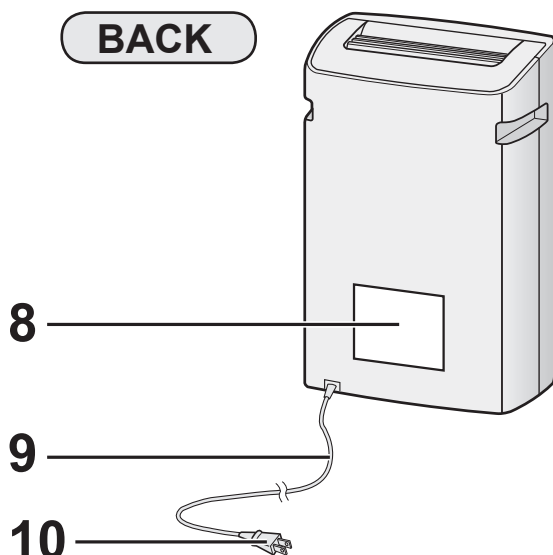
- Follow the instructions to handle carefully and keep maintenance.
Do not install any other type of filters.

PART NAMES

ILLUSTRATIVE DIAGRAM



BACK



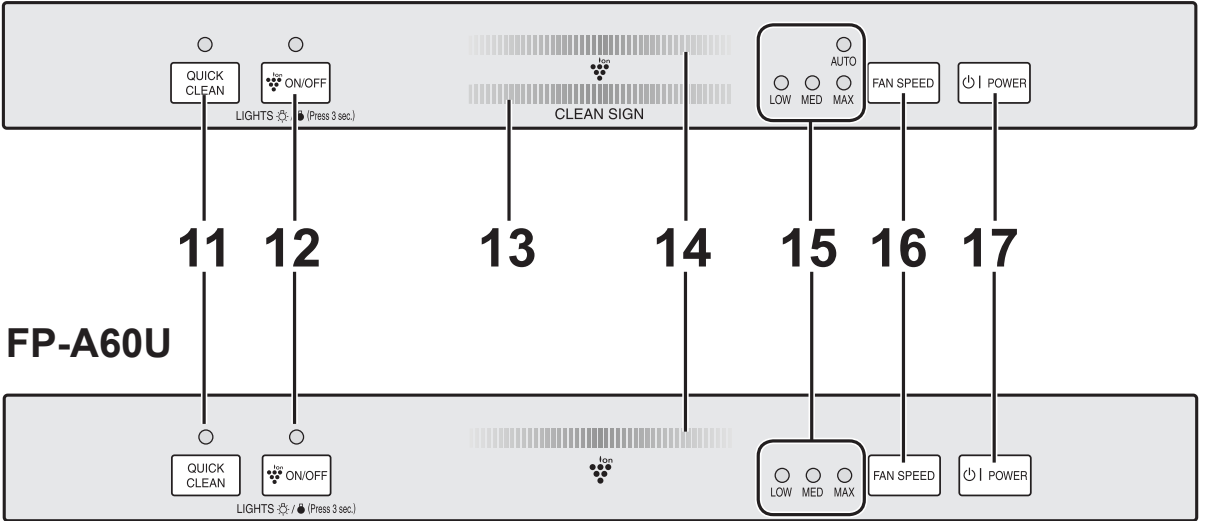
1	Air Outlet
2	Air Inlet
3	Handle
4	Main Unit
5	HEPA Filter
6	Deodorizing Pre Filter
7	Dust Sensor (FP-A80U Only)
8	Date Label
9	Power Cord
10	Plug

INCLUDED

- Operation manual

MAIN UNIT DISPLAY

FP-A80U



ENGLISH

FP-A60U

11	QUICK CLEAN Button / Quick Clean Indicator Light (green)
12	(Plasmacluster) ON / OFF Button / (Plasmacluster) ON / OFF Indicator Light (green)
13	CLEAN SIGN (FP-A80U only) The color changes according to the air condition. <div style="border: 1px solid gray; padding: 5px; margin: 10px 0;"> Green — Yellow — Red Clean ←————→ Very Impure </div>
14	(Plasmacluster) Sign (blue)
15	FAN SPEED Indicator Light (green)
16	FAN SPEED Button
17	POWER Button

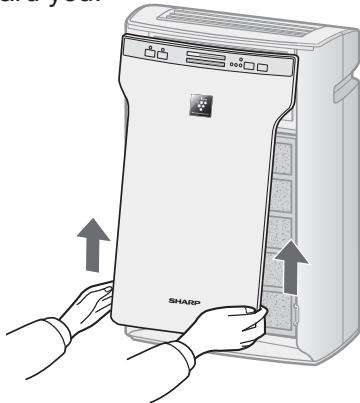
FILTER INSTALLATION

Unplug the electrical cord before performing any maintenance.

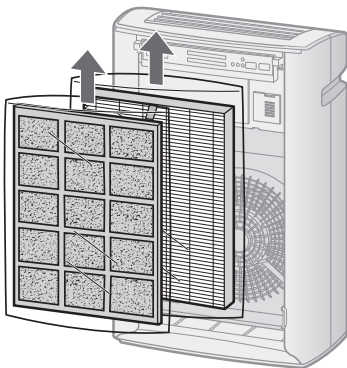
To maintain the quality of the filters, they are installed in the main unit and packed in plastic bags. Be sure to remove the filters from the plastic bags before using the unit.

1 Remove the front Panel.

Gently grip the bottom of the front panel and remove it by pulling the bottom gently toward you.

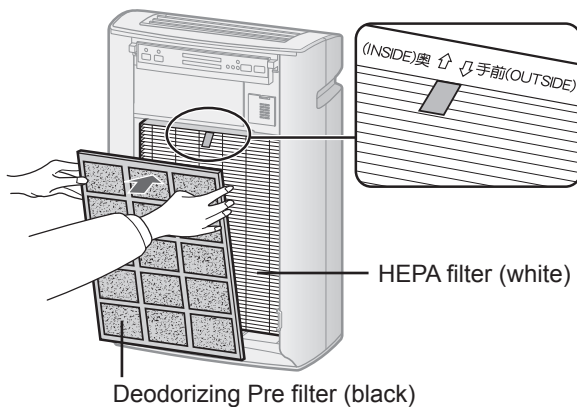


2 Remove the plastic bags.



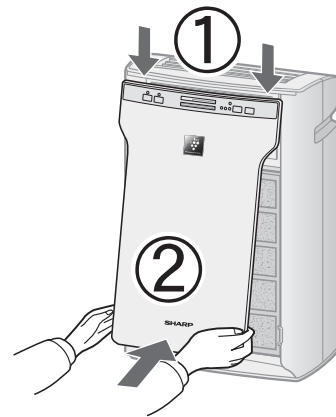
3 Place the filters accordingly.

Keep the order of filters.

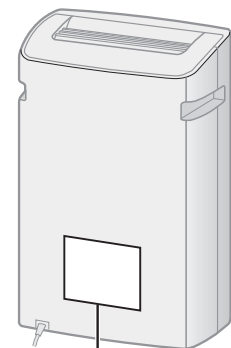


4 Fix the Front Panel.

Fix the Front Panel by hooking it into the top of the unit. Swing panel in by pushing gently until the panel snaps into place.



5 Record the date when you start or replace the filters.



Replacement Filters / Reemplazo de filtros			
Starting date of use / Fecha de comienzo de uso			
HEPA Filter / Filtro HEPA	Model / Modelo	FZ	
Deodorizing Filter / Filtro desodorizador	Model / Modelo	FZ	

Replace the filters when they are no longer removing odor or dust.
 Reemplace el filtro cuando este remueva olor o polvo.

OPERATION

FP-A80U



FP-A60U



1 Press to start / stop.

Unless the power cord has been unplugged, the operation starts in the previous mode it was operated in.

2 Press to select fan speed.

FP-A80U



AUTO mode

*The air purifier operates the airflow speed automatically according to the interior pollution level detected by the sensor.

FP-A60U



3 Press to turn Plasmacluster Ion Mode ON and OFF.

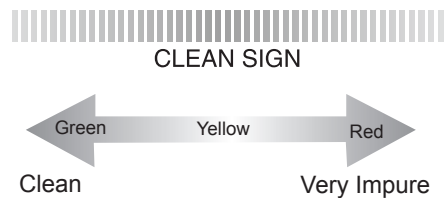
QUICK CLEAN Operation

Press to start Quick Clean Mode.

The unit will operate at HIGH fan speed for 15 minutes, then will return to the prior operation. "QUICK CLEAN" mode is effective when you would like to clean quickly.

CLEAN SIGN (FP-A80U)

The Dust Sensor automatically monitors dust pollution level and adjusts fan speed accordingly.



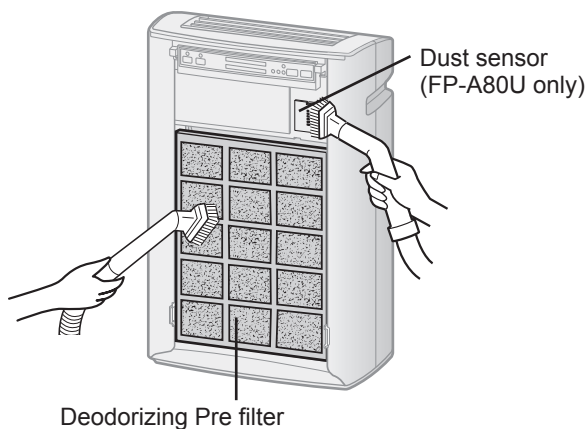
Light Control

Press for 3 seconds to select ON/OFF of the Plasmacluster SIGN and the CLEAN SIGN.

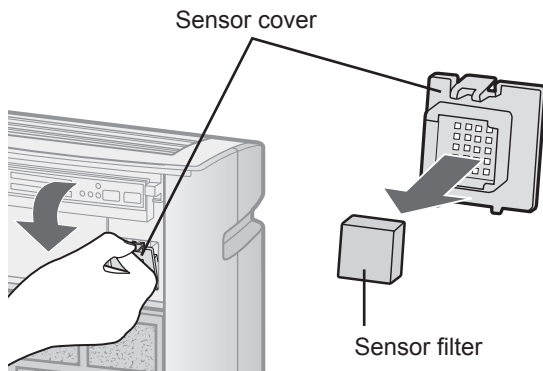
ON OFF

CLEANING THE FILTERS

- 1 Turn off the unit, and unplug the power cord.**
- 2 Remove the Front Panel.**
(Refer to E-8)
- 3 Clean the filter and Dust sensor.**
Gently remove dust from the filter, using a vacuum cleaner with attachment or similar tool.



Dust Sensor (FP-A80U only)



Remove the Sensor cover, and remove the dust on the Sensor filter.

If it is very dirty, wash it with water and dry it thoroughly.

CLEANING THE UNIT

Wipe with a dry, soft cloth.

For stubborn stains or dirt, use a soft cloth dampened with warm water.

Do not use volatile fluids and detergents.

Benzene, paint thinner, polishing powder, detergent ingredients etc., may damage the unit.

FILTER REPLACEMENT GUIDELINES

Filter life varies depending on the room environment, usage, and location of the unit.

If dust or odor persists, replace the filter.

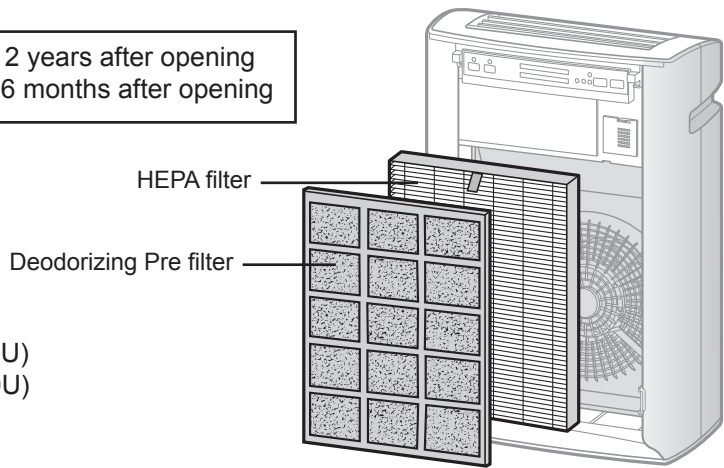
(Refer to “Please read before operating your new Air Purifier”)

Replacement timing

- | | |
|-------------------------|------------------------------|
| •HEPA filter | About 2 years after opening |
| •Deodorizing Pre filter | About 6 months after opening |

Replacement Filters

- HEPA filter : 1 unit
Model : FZ-A80HFU (for FP-A80U)
FZ-A60HFU (for FP-A60U)
- Deodorizing Pre filter : 1 unit
Model : FZ-A80DFU (both units)



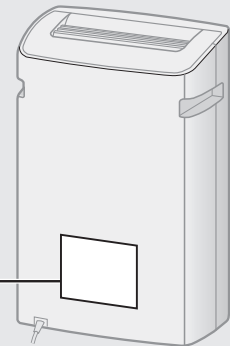
Replace the filters

(Refer to E-8)

Record the date when you replace the filters.

Replacement Filters / Reemplazo de filtros			
Starting date of use / Fecha de comienzo de uso			
HEPA Filter / Filtro HEPA	Model / Modelo	FZ	
Deodorizing Filter / Filtro desodorizador	Model / Modelo	FZ	

Replace the filters when they are no longer removing odor or dust.
Reemplace el filtro cuando este remueva olor o polvo.



Disposal of Filters


Please dispose of the filters according to the local disposal laws and regulations.

- HEPA filter material:
- Filter : Polypropylene
 - Frame : Polyester

- Deodorizing Pre filter material:
- Deodorizer : Activated charcoal
 - Filter : Polyurethane foam
 - Frame : Paper

TROUBLESHOOTING

Before calling for service, please review the Troubleshooting chart below, since the problem may not be a unit malfunction.

PROBLEM	SOLUTION (not a malfunction)
<p>The unit leaves smoke and odors in the air.</p>	<ul style="list-style-type: none"> • Clean or replace the filters as needed. (Refer to E-11) • Is the unit installed in a location that is difficult for the sensor to detect cigarette smoke? • Are the dust sensor openings blocked or clogged? (In this case, clean the openings.) (Refer to E-10)
<p>A clicking or ticking sound is heard from the unit.</p>	<ul style="list-style-type: none"> • Clicking or ticking sounds may be audible when the unit is generating ions.
<p>A bad odor comes out of the air outlet.</p>	<ul style="list-style-type: none"> • Check to see if the filters are heavily soiled. Replace the filters. (Refer to E-11) • Plasmacluster Air Purifiers may produce a slight odor. This is normal and is a result of the Plasmacluster Ions refreshing the air.
<p>The Clean Sign is green, but there is still odor in the air.</p>	<ul style="list-style-type: none"> • The air could be impure at the time the unit was plugged in. Unplug the unit, wait one minute, and plug the unit in again.
<p>The Clean Sign illuminates yellow or red, but the air seems clean.</p>	<ul style="list-style-type: none"> • Clean the dust sensor with a vacuum cleaner, as it may be blocked or clogged. (Refer to E-10)
<p>The Clean Sign doesn't light on.</p>	<ul style="list-style-type: none"> • The Light Control is selected. Press  for 3 seconds to turn the light on.
<p>The Clean Sign lights change color frequently.</p>	<ul style="list-style-type: none"> • The Clean Sign lights automatically change colors as impurities are detected by the dust sensor.

SPECIFICATIONS

Model		FP-A80U			FP-A60U		
Power supply		120 V 60 Hz					
Fan Speed Operation	Fan Speed Adjustmen	MAX	MED	LOW	MAX	MED	LOW
	Rated Power (W)	98	20	4.8	65	14	5.0
	Fan Speed (CFM)	318	177	71	254	134	71
	Noise Level (dBA)	55	40	23	50	38	25
Recommended Room Size *1		454sq.ft (42.2m ²)			341sq.ft (31.7m ²)		
CADR (Dust/Smoke/Pollen)		303 / 293 / 360			232 / 220 / 238		
Sensor		Dust			-		
Filter type		HEPA filter / Deodorizing Pre filter					
Cord Length		6.5ft (2.0m)					
Dimensions		402mm (W) × 245mm (D) × 620mm (H) 15 ⁷ / ₈ in (W) × 9 ⁵ / ₈ in (D) × 24 ³ / ₈ in (H)					
Weight		17.6 lbs (8.0 kg)			16.1 lbs (7.3 kg)		

*1 Size of a room which is appropriate for operating the unit at maximum fan speed.

Standby Power

In order to operate the electrical circuits while the power plug is inserted in the wall outlet, this product consumes about 0.3W of standby power.

For energy saving, unplug the power cord when the unit is not in use.

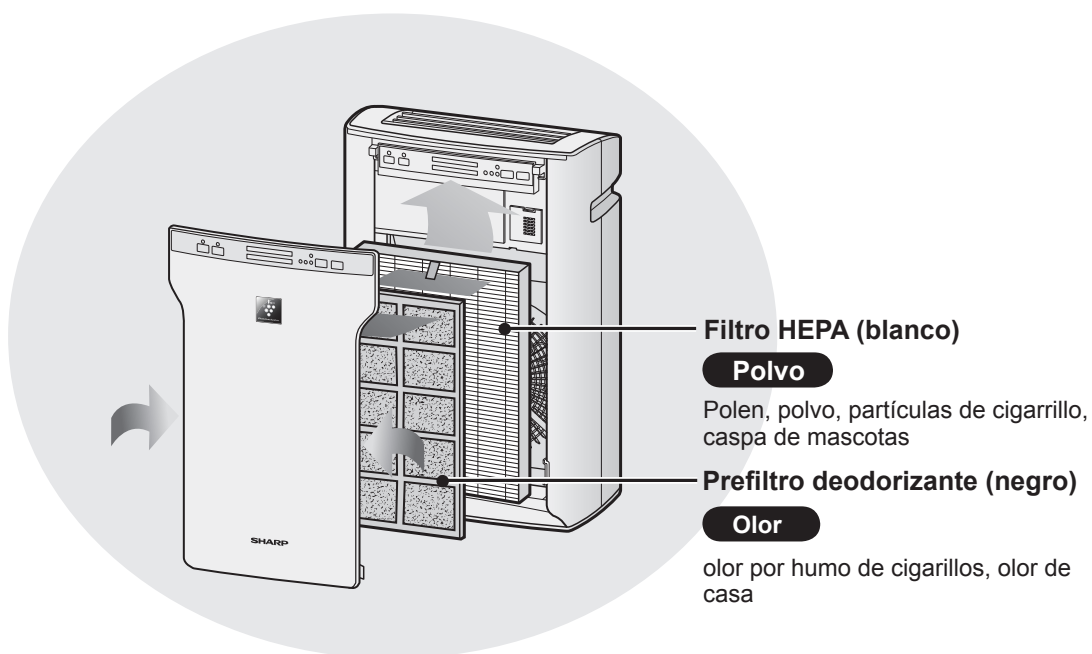
Por favor leer antes de poner en funcionamiento su nuevo purificador de aire

Algunos ingredientes de olor absorbidos por los filtros pueden separarse y descargarse a través de la salida de aire y resultar en un olor adicional. Dependiendo del entorno de uso, especialmente cuando el producto es utilizado en una condición significativamente más severa que un uso doméstico, este olor puede volverse fuerte en un período de tiempo más corto del esperado.

El purificador de aire está diseñado para quitar polvo y olor suspendido en el aire, pero no gases dañinos (por ejemplo, monóxido de carbono presente en el humo de cigarrillos). Si las fuentes de olor aún existen, no podrá eliminar el olor completamente (por ejemplo, olores de materiales de construcción y olores de mascotas).

Se sugiere abrir un poco la ventana cuando esté fumando, para facilitar la ventilación.

En este caso recomendamos adquirir el filtro de reemplazo opcional.



CARACTERÍSTICAS

Combinación única de Tecnologías en Tratamiento de Aire Sistema de Filtración + Tecnología Ion Plasmacluster

DISMINUYE LOS OLORES

Prefiltro deodorizante que absorbe muchos olores domésticos comunes.

REDUCE EL POLVO, POLEN, CASPA Y MOHO*

El filtro HEPA atrapa el 99,97% de las partículas de hasta 0,3 micrones.

REFRESCA

El plasmacluster refresca el aire de modo similar en que la naturaleza limpia el ambiente emitiendo un balance de iones positivos y negativos.

*Desde el aire que se extrae del sistema de filtrado.

Área: hasta 454 pies cuadrados (FP-A80U)
hasta 341 pies cuadrados (FP-A60U)

Déclaration de conformité

PURIFICADOR DE AIRE FP-A80U / FP-A60U

Este dispositivo cumple con la Sección 18 de las regulaciones FCC.

Partie responsable :

SHARP ELECTRONICS CORPORATION
Sharp Plaza,
Mahwah, New Jersey 07495-1163

CONTENIDO

INSTRUCCIONES DE SEGURIDAD IMPORTANTES	S-2
NOMBRES DE LAS PARTES	S-4
INSTALACIÓN DEL FILTRO	S-6
FUNCIONAMIENTO	S-7
MANTENIMIENTO	S-8
SOLUCIÓN DE PROBLEMAS	S-10
ESPECIFICACIONES	S-11

Gracias por comprar el Purificador de aire SHARP. Por favor lea cuidadosamente este manual. Antes de usar este producto, asegúrese de leer la sección: "Instrucciones de seguridad importantes". Luego de leerlo, conserve el manual en un lugar apropiado para futura referencia.

INSTRUCCIONES DE SEGURIDAD IMPORTANTES

Lea todas las instrucciones antes de usar la unidad.

Cuando utilice electrodomésticos, se deben tomar medidas básicas de seguridad, incluidas las siguientes:

AVERTISSEMENT - Para reducir el riesgo de descarga eléctrica, incendio o lesiones a personas:

- Conecte la toma de alimentación a una toma de corriente eléctrica dedicada de 120V~60Hz.
- El purificador de aire tiene un enchufe polarizado (una pata lámina es más ancha que la otra). Este enchufe encajará en una salida polarizada sólo en una dirección. Si el enchufe no cabe en la salida, inviértalo. Si aún así no cabe, póngase en contacto con un electricista calificado o proveedor de service. No altere el enchufe de ninguna manera.
- No utilice la unidad si el cable de alimentación o el enchufe están dañados, o si la unión a la salida de la pared está suelta.
- Periódicamente, quite el polvo del enchufe.
- No utilice un cable de extensión.
- No introduzca los dedos u objetos extraños en la salida o toma de aire.
- No desconectar halando el cable. Para desconectar agarre el enchufe.
- No halar el enchufe o la unidad con las manos mojadas.
- Desconecte el cable eléctrico antes de realizar cualquier mantenimiento.
- No utilice la unidad si el cable está dañado. Por favor contacte al Centro de Servicio más cercano.
- No utilice gases inflamables y materiales como insecticidas, fragancias y cigarrillos encendidos.
- No utilizar en sitios húmedos como en baños.
- Contactar al Centro de Servicio Autorizado de Sharp más cercano por cualquier, ajuste o reparación.
- Este dispositivo no está hecho para ser utilizado por personas (incluyendo a niños) con capacidades físicas, sensoriales o mentales disminuidas, o con falta de experiencia y conocimiento, a no ser que hayan sido supervisados o instruidos con respecto al uso del dispositivo por una persona responsable de su seguridad.

Los niños deben supervisarse para asegurar que no jueguen con el dispositivo

NOTA - Interferencia de TV o Radio

Si este purificador de aire causase interferencias en la recepción de radio o televisión, trate de corregir la interferencia mediante una o varias de las siguientes medidas:

- Reoriente o reubique la antena de recepción.
- Aumente la distancia entre la unidad y el receptor de radio/TV.
- Una el equipo a una salida de circuito diferente al de la conexión del receptor.
- Solicite ayuda a l distribuidor o a un técnico de radio/TV experimentado.

Este producto cumple con la norma internacional CISPR 11.

En conformidad con esta norma, este producto está clasificado como un quipo del grupo 1, clase B. Grupo 2 significa que el equipo genera intencionalmente radiofrecuencia en forma de radiación electromagnética para equipo de maquinación por electrodescarga.

Equipo de clase B significa que el equipo es apropiado para uso doméstico.

PRECAUCIONES DE OPERACIÓN

- No bloquee ninguna abertura.
- No utilice la unidad cerca o sobre objetos calientes, como por ejemplo estufas, calentadores o radiadores.
- No utilice esta unidad sobre su costado.
- Siempre sujete la agarradera en ambos lados de la unidad al moverla.

El sujetar el panel al cargarlo puede ocasionar que se desprenda, haciendo caer la unidad y resultando así en daños corporales.

- No utilice sin filtros dentro de la unidad.
- No lave y reutilice el filtro HEPA.

No sólo no mejora el rendimiento del filtro, si no que además puede causar una descarga eléctrica o mal funcionamiento.

- Limpie el exterior con un paño suave.

No utilizar limpiadores corrosivos, fluidos volátiles y/o detergentes al limpiar la unidad. La superficie de la unidad se puede dañar o rajar.

Además, el sensor puede funcionar mal como resultado.

GUÍA DE INSTALACIÓN

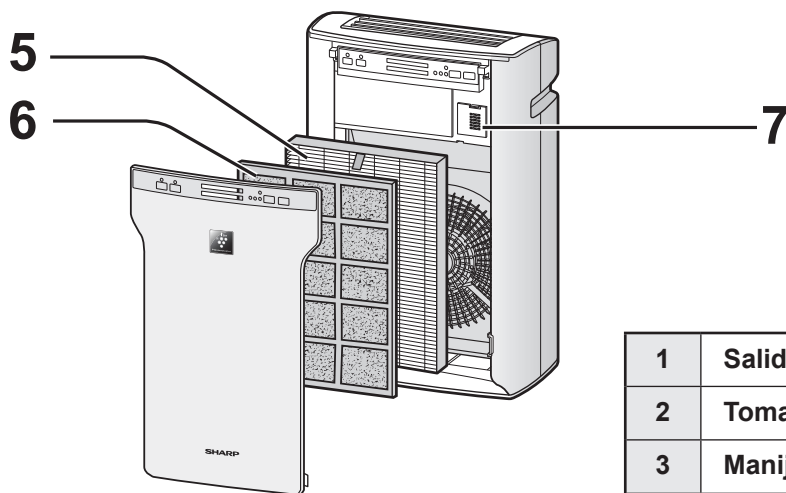
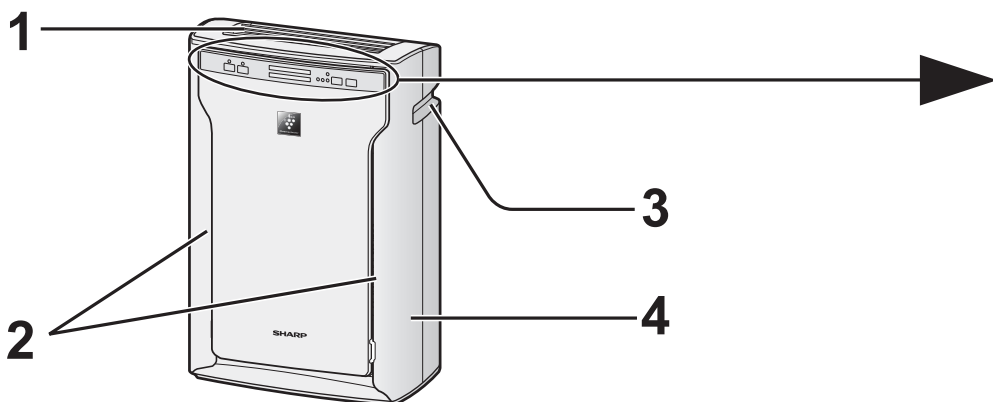
- Evite sitios en donde las cortinas, etc., pueden entrar en contacto con cualquier abertura. Puede ensuciarse u ocurrir un mal funcionamiento.
- Evite sitios en donde la unidad esté expuesta a una condensación, debido a cambios de temperatura rápidos.
(Si es inevitable, permita que la unidad esté en reposo durante una hora antes de encenderla).
(Úselo en condiciones adecuadas entre 0 y 35°C en la habitación).
- Colóquela sobre una superficie estable con circulación de aire suficiente.
Al colocar la unidad en una zona muy alfombrada, puede hacer que la unidad vibre ligeramente.
- Evite su uso en lugares donde se genera humo de grasa o aceite (por ejemplo, en una cocina, etc.).
La superficie de la unidad se puede quebrar o el sensor puede funcionar de forma incorrecta.

INSTRUCCIONES DEL FILTRO

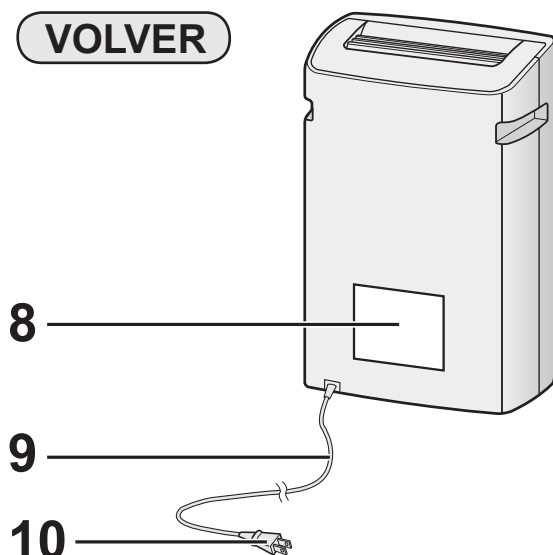
- Siga las instrucciones para manejarlo cuidadosamente y llevar un mantenimiento.
No instale ningún otro tipo de filtro.

NOMBRES DE LAS PARTES

DIAGRAMA ILUSTRATIVO



VOLVER



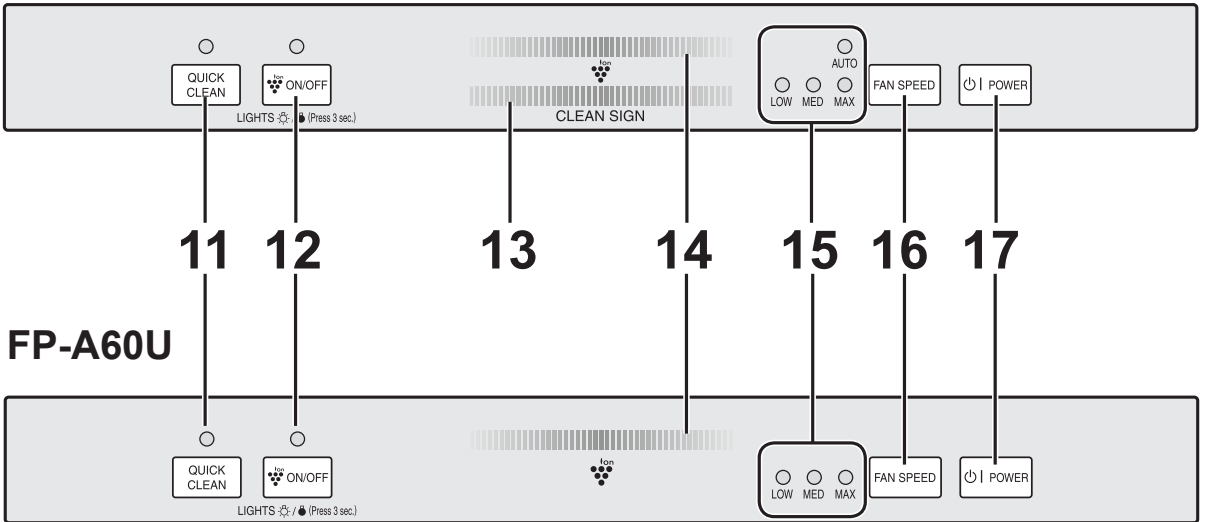
1	Salida de aire
2	Toma de aire
3	Manija
4	Unidad principal
5	Filtro HEPA
6	Prefiltro deodorizante
7	Sensor de polvo (solamente en el FP-A80U)
8	Etiqueta de fecha (Date Label)
9	Cable de Alimentación
10	Enchufe

INCLUYE

- Manual de operación

PANTALLA DE LA UNIDAD PRINCIPAL

FP-A80U



FP-A60U

ESPAÑOL

11	Botón de QUICK CLEAN (Limpieza rápida) / Luz de indicador de Quick Clean (Limpieza rápida) (verde)
12	Botón ON / OFF (Plasmacluster) / Indicador de luz (verde) de ON / OFF (Plasmacluster)
13	CLEAN SIGN (Indicador de limpieza) (Solamente para el FP-A80U) El color cambia en conformidad con la condición del aire. <div style="border: 1px solid gray; padding: 5px; display: inline-block;"> <p>Verde — Amarillo — Rojo</p> <p>Limpio ← → Muy impuro</p> </div>
14	Indicador (Plasmacluster) (azul)
15	Luz (verde) del indicador de FAN SPEED (Velocidad del ventilador)
16	Botón de FAN SPEED (Velocidad del ventilador)
17	Botón de ALIMENTACIÓN

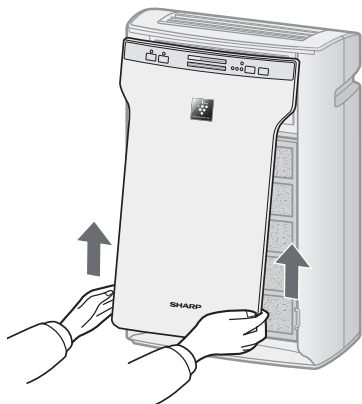
INSTALACIÓN DEL FILTRO

Desconecte el cable de alimentación antes de realizar cualquier mantenimiento.

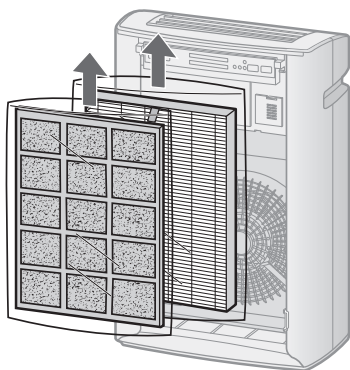
Para mantener la calidad de los filtros, estos están instalados en la unidad principal y empacados en bolsas plásticas. Asegúrese de quitar los filtros de las bolsas plásticas antes de utilizar la unidad.

1 Quite el panel frontal.

Agarre suavemente la parte inferior del panel frontal y quítela halando suavemente la parte inferior hacia usted.

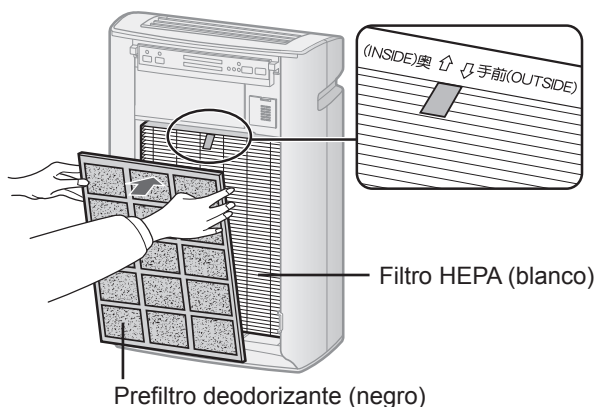


2 Quite las bolsas plásticas.



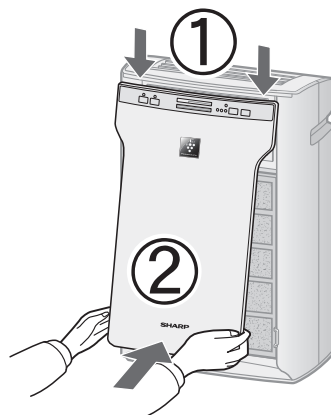
3 Coloque los filtros de modo apropiado.

Mantenga el orden de los filtros.

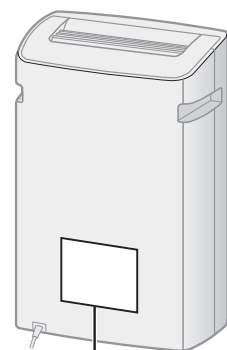


4 Fije el panel frontal.

Fije el panel frontal enganchándolo en la parte superior de la unidad. Gire el panel presionando suavemente hasta que el panel se ajuste en su sitio.



5 Registre la fecha en la que inició o reemplazó los filtros.



Replacement Filters / Reemplazo de filtros			
Starting date of use / Fecha de comienzo de uso			
HEPA Filter / Filtro HEPA	Model / Modelo	FZ	
Deodorizing Filter / Filtro desodorizador	Model / Modelo	FZ	

Replace the filters when they are no longer removing odor or dust.
 Reemplace el filtro cuando éste remueva olor o polvo.

FUNCIONAMIENTO

FP-A80U



FP-A60U



1 Presione para iniciar/detener.

A no ser que se haya desconectado el cable de alimentación, el funcionamiento se inicia en el modo anterior en el que se operó.

2 Presione para seleccionar la velocidad del ventilador.

FP-A80U



Modo AUTOMÁTICO

* El purificador de aire opera automáticamente la velocidad del flujo de aire de acuerdo con el nivel de contaminación interno detectado por el sensor.

FP-A60U



3 Presione para activar o desactivar el Modo ión Plasmacluster.

Operación de QUICK CLEAN (Limpieza rápida)

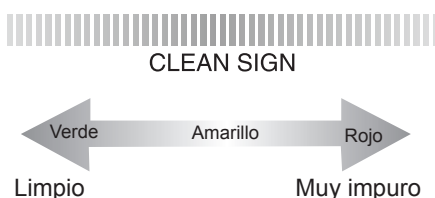
Presione para iniciar el Modo de QUICK CLEAN

La unidad funcionará a una velocidad de ventilador ALTA durante 15 minutos, luego volverá a la operación anterior.

El modo de "QUICK CLEAN" es efectivo cuando se necesita limpiar rápidamente.

CLEAN SIGN (Indicador de limpieza) (FP-A80U)

El Sensor de Polvo controla automáticamente el nivel de contaminación de polvo y ajusta la velocidad del ventilador en conformidad.



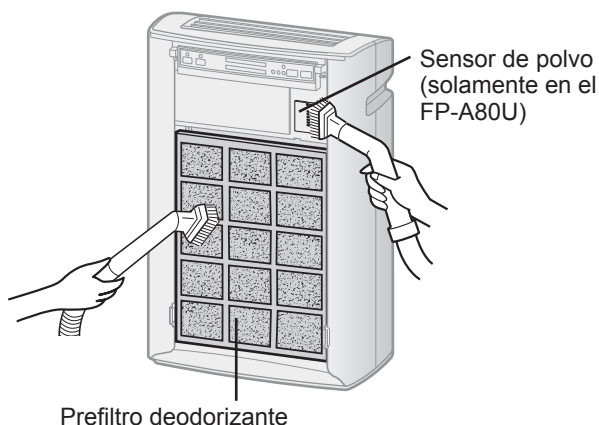
Control de luz

Presione  durante 3 segundos para seleccionar ENCENDER/APAGAR del INDICADOR Plusmacluster y del INDICADOR DE LIMPIEZA.

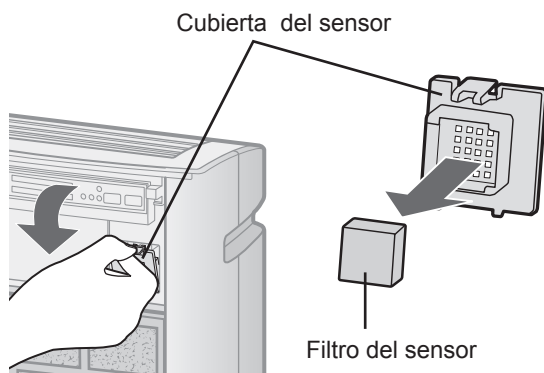
ON  OFF

LIMPIEZA DE LOS FILTROS

- 1 Apague la unidad y desconecte el cable de alimentación.**
- 2 Quite el panel frontal.**
(Consulte S-6)
- 3 Limpie el filtro y el sensor de polvo.**
Quite suavemente el polvo del filtro, utilizando una aspiradora con un acoplamiento o herramienta similar.



Sensor de polvo (solamente en el FP-A80U)



Quite la cubierta del sensor y quite el polvo sobre el filtro del sensor.

Si está muy sucio, lávelo con agua y séquelo completamente.

LIMPIEZA DE LA UNIDAD

Limpie con un paño seco y suave.

Para suciedad o manchas difíciles, utilice un paño suave humedecido.

No utilice líquidos volátiles y detergentes

El benceno, diluyente de pintura, polvo de pulido, ingredientes detergentes, etc., pueden dañar la unidad.

INSTRUCCIONES PARA EL REEMPLAZO DEL FILTRO

La duración del filtro varía según el ambiente de la sala, el uso y ubicación de la unidad.

Si todavía quedan polvo u olores, reemplace el filtro.

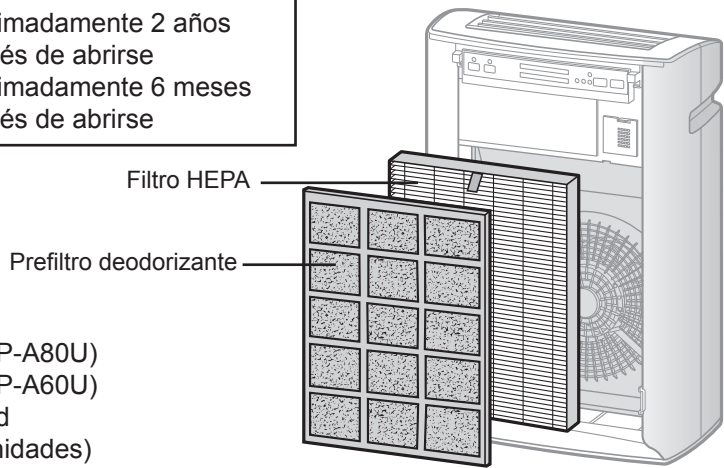
(Consulte "Por favor leer antes de poner en funcionamiento su nuevo purificador de aire")

Tiempo para el reemplazo

- | | |
|-------------------------|--|
| •Filtro HEPA | Aproximadamente 2 años después de abrirse |
| •Prefiltro deodorizante | Aproximadamente 6 meses después de abrirse |

Filtros de reemplazo

- Filtro HEPA : 1 unidad
Modelo : FZ-A80HFU (Para el FP-A80U)
FZ-A60HFU (Para el FP-A60U)
- Prefiltro deodorizante : 1 unidad
Modelo : FZ-A80DFU (ambas unidades)



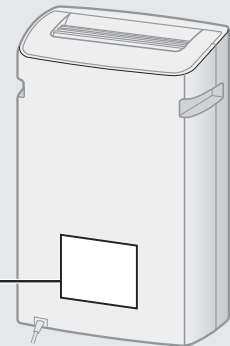
Reemplace los filtros

(Consulte S-6)

Registre la fecha cuando reemplace los filtros.

Replacement Filters / Reemplazo de filtros			
Starting date of use / Fecha de comienzo de uso			
HEPA Filter / Filtro HEPA	Model / Modelo	FZ	
Deodorizing Filter / Filtro desodorizador	Model / Modelo	FZ	

Replace the filters when they are no longer removing odor or dust.
Reemplace el filtro cuando este remueva olor o polvo.



Desecho de los filtros

Deseche los filtros en conformidad con las leyes y regulaciones de desecho locales.

Materiales del filtro HEPA:


- Filtro : Polypropylene
- Armazón : Poliéster

Material del prefiltro deodorizante:

- Deodorizante: Carbón activado
- Filtro : Espuma de poliuretano
- Armazón : Papel

SOLUCIÓN DE PROBLEMAS

Antes de llamar a mantenimiento, por favor revise la tabla de solución de problemas a continuación, ya que el problema puede no ser un mal funcionamiento de la unidad.

PROBLEMA	SOLUCIÓN (no es un mal funcionamiento)
La unidad deja humo y olores en el aire.	<ul style="list-style-type: none">• Limpie o reemplace los filtros según sea necesario. (Consulte S-9)• ¿Está la unidad instalada en una ubicación donde es difícil que el sensor detecte el humo de cigarrillos?• ¿Están las aberturas del sensor de polvo bloqueadas u obstruidas? (En este caso, limpie las aberturas.) (Consulte S-8)
En la unidad se escucha un chasquido o un tic-tac.	<ul style="list-style-type: none">• El chasquido o el tic-tac podrían ser audibles cuando la unidad está generando iones.
Llega un mal olor desde la salida de aire.	<ul style="list-style-type: none">• Compruebe si los filtros están demasiado sucio. Reemplace los filtros. (Consulte S-9)• Los purificadores de aire Plasmacluster pueden producir un ligero olor. Esto es normal y es el resultado de los iones del Plasmacluster que renuevan el aire.
El Indicador de Limpieza está en verde, pero aún hay olor en el aire.	<ul style="list-style-type: none">• El aire pudo haber estado impuro al momento en que se conectó la unidad. Desconecte la unidad, espere un minuto y conecte nuevamente la unidad.
El Indicador de Limpieza se ilumina de amarillo o rojo, pero el aire parece limpio.	<ul style="list-style-type: none">• Limpie el sensor de polvo con una aspiradora, ya que puede estar bloqueado u obstruido. (Consulte S-8)
La Señal de Limpio no se ilumina.	<ul style="list-style-type: none">• Se selecciona el Control de Luz. Presione  durante 3 segundos para encender la luz.
Las luces del Indicador de Limpieza cambian frecuentemente de color.	<ul style="list-style-type: none">• Las luces del Indicador de Limpieza cambian de color automáticamente cuando se detectan impurezas por el detector de polvo.

ESPECIFICACIONES

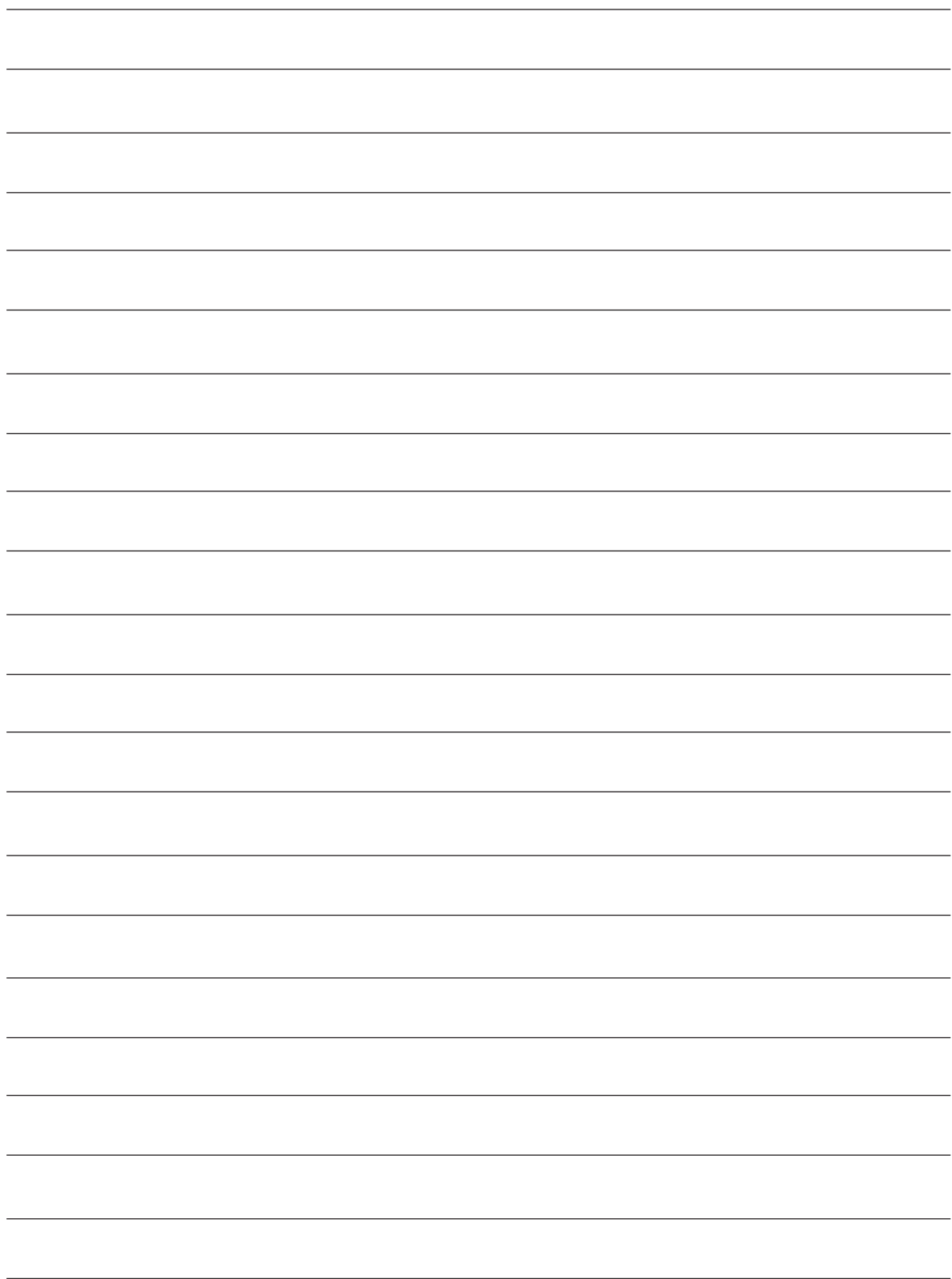
Modelo		FP-A80U			FP-A60U		
Suministro de energía		120V 60Hz					
Manejo de la velocidad del ventilador	Ajuste de la velocidad del ventilador	MÁX	MED	BAJO	MÁX	MED	BAJO
	Potencia nominal (W)	98	20	4,8	65	14	5,0
	Velocidad del ventilador (PCM)	318	177	71	254	134	71
	Nivel de ruido (dBA)	55	40	23	50	38	25
Dimensiones de la habitación recomendadas *1		42,2m ² (454sq.ft)			31,7m ² (341sq.ft)		
CADR (Tasa de emisión de aire limpio) (Polvo / humo / polen)		303 / 293 / 360			232 / 220 / 238		
Sensor		Polvo			-		
Tipo de filtro		Filtro HEPA / Prefiltro deodorizante					
Largo del cable		2,0 metros (6,5ft)					
Dimensiones		402mm (A) × 245mm (P) × 620mm (H) 15 7/8 plg (A) × 9 5/8 plg (P) × 24 3/8 plg (H)					
Peso		8,0 kg (17,6 lbs)			7,3 kg (16,1 lbs)		

* Tamaño de una habitación adecuado para el funcionamiento de la unidad a la velocidad máxima del ventilador.

Suministro de energía en reserva

Para hacer funcionar los circuitos eléctricos mientras el enchufe se encuentra insertado en el tomacorriente de la pared, este producto consume aproximadamente 0,3 W de suministro de energía en reserva.

Para ahorrar energía, desenchufe el cable de alimentación cuando la unidad no esté en uso.



SHARP[®]

SHARP ELECTRONICS CORPORATION
Sharp Plaza, Mahwah,
New Jersey 07495-1163 U.S.A.

SHARP CORPORATION
Osaka, Japan

**IMPORTANT! Please fill out and return within the next 10 days.
Register ONLINE at www.sharpsusa.com**

1. Mr. 2. Mrs. 3. Ms. 4. Miss

First Name Initial Last Name

Street Apt. No.

City State ZIP Code

E-mail Address:

CCV 01
Air Purifier

2. Your date of birth: / /
Month Year
3. Marital status: 1. Married 2. Single
4. Date of purchase: / /
Month Day Year

5. Model number:

6. Serial number:

7. Price paid (excluding sales tax): \$.00

8. Where did you purchase this product?

9. What was the most important reason for buying this air purifier?
1. Doctor/Pharmacist recommendation 4. Eliminate odors
2. Reduce smoke 5. Reduce pet allergens
3. Reduce pollen, dust and mite allergens 6. Reduce asthma-causing air impurities

10. What features most influenced your decision to purchase this product?
1. Plasmacluster technology 6. Cleaning Mode Indicator/
2. Design CLEAN-SIGN
3. Filtration System 7. Filter Replacement
4. Deodorizing Pre-Filter Schedule
5. HEPA Filter 8. Silent

11. What factors most influenced your decision to purchase this product?
1. Brand reputation 7. Friend/Relative recommendation
2. Advertisement 8. Warranty coverage
3. Price 9. Doctor/Pharmacist recommendation
4. Specific product feature 10. Other
5. Style/Appearance recommendation
6. Salesperson recommendation

12. In what room will this product be installed?
1. Adult's bedroom 4. Family room
2. Children's bedroom 5. Kitchen
3. Living room 6. Other

13. To help us understand our customers' lifestyles, please indicate the interests and activities in which you or your spouse enjoy participating on a regular basis.

- Home Life**
01. Grandchildren
02. Home Improvement/Do-It-Yourself
03. Gardening
04. Own a Dog
05. Own a Cat
Leisure
06. Cultural/Art Events
07. Avid Book Reading
08. Bible/Devotional Reading
09. Gourmet Cooking/Fine Foods
10. Wines
11. Art/Antique Collecting
12. Stamp/Coin Collecting
13. Crafts
14. Sewing/Needlework/Knitting
Travel
15. Airline Club/Frequent Flyer
16. Travel in USA
17. Foreign Travel
18. Cruise Ship Vacations
19. RV Vacations
20. Casino Gambling

14. Not including yourself, what is the GENDER and AGE (in years) of children and other adults living in your household?
1. Male Female Age/Years yrs. 1. Child under 1 yr.
2. Male Female Age/Years yrs. 2. Male Female Age/Years yrs.
3. Male Female Age/Years yrs. 3. Male Female Age/Years yrs.

15. Occupation/Employment Status: (check all that apply)
- | | | |
|--|--------------------------|------------------------------|
| Professional/Technical | <input type="checkbox"/> | 01. <input type="checkbox"/> |
| Sales/Marketing | <input type="checkbox"/> | 02. <input type="checkbox"/> |
| Clerical/Service Worker | <input type="checkbox"/> | 03. <input type="checkbox"/> |
| Tradesman/Machine Operator/Laborer | <input type="checkbox"/> | 04. <input type="checkbox"/> |
| Teacher/Educator | <input type="checkbox"/> | 05. <input type="checkbox"/> |
| Healthcare - Physician/Nurse/Other | <input type="checkbox"/> | 06. <input type="checkbox"/> |
| Homemaker | <input type="checkbox"/> | 07. <input type="checkbox"/> |
| Military | <input type="checkbox"/> | 08. <input type="checkbox"/> |
| Retired | <input type="checkbox"/> | 09. <input type="checkbox"/> |
| Self Employed/Business Owner | <input type="checkbox"/> | 10. <input type="checkbox"/> |
| | <input type="checkbox"/> | 11. <input type="checkbox"/> |
| | <input type="checkbox"/> | 12. <input type="checkbox"/> |
| | <input type="checkbox"/> | 13. <input type="checkbox"/> |

16. Which group describes your annual family income?
01. Under \$15,000 08. \$75,000-\$99,999
02. \$15,000-\$19,999 09. \$100,000-\$124,999
03. \$20,000-\$29,999 10. \$125,000-\$149,999
04. \$30,000-\$39,999 11. \$150,000-\$174,999
05. \$40,000-\$49,999 12. \$175,000-\$199,999
06. \$50,000-\$59,999 13. \$200,000-\$249,999
07. \$60,000-\$74,999 14. \$250,000 & over

17. Level of education: (check highest level completed)
1. Completed High School 3. Completed Graduate School
2. Completed College

18. For your primary residence, do you: 1. Own? 2. Rent?

19. What type of internet access do you use at home?
1. None 3. Broadband Cable 5. Satellite
2. Dial up 4. DSL

20. When new products that have the latest technologies appear on the market, do you or someone in your household:
1. Tend to buy such items as soon as they are available?
2. Tend to wait until the item has been around for a while before buying?

Thanks for taking the time to fill out this questionnaire. Your answers will be used for market research studies and reports. They will also allow you to receive important mailings and special offers from a number of fine companies whose products and services relate directly to the specific interests, hobbies, and other information indicated above. Through this selective program, you will be able to obtain more information about activities in which you are involved and less about those in which you are not. Please check here if, for some reason, you would prefer *not* to participate in this opportunity.

Failure to return this card will not diminish your warranty rights.

PRODUCT REGISTRATION DEPARTMENT

Please do not send any products or other correspondence to this address.

If you have comments or suggestions about our product, please write to:

Consumer Electronics Group
Sharp Plaza, Mahwah, NJ 07430-2135 U.S.A.

Register online at www.sharpusa.com

CCV01

First-Class
Postage
Required
Post Office will
not deliver
without proper
postage.

**SHARP ELECTRONICS CORPORATION
PO BOX 171098
DENVER CO 80217-1098**



Protect Your Investment

Register your product for:

Recall Notifications

We contact our customers in case of recall.

Owner Verification

Registration can serve as verification of your ownership in the event of product theft or loss.

Efficient Service

Completing this card will help you obtain more efficient warranty service in case there is a problem with your product.

Don't forget

We know you are busy, but registering is important, quick and easy!

Or register online at www.sharpusa.com