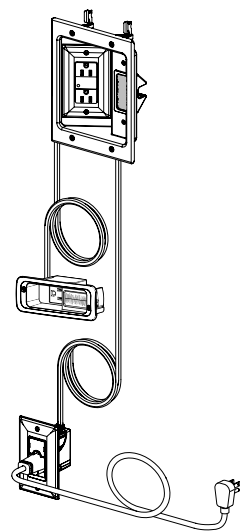


# SANUS

## IN-WALL POWER KIT

Model **WSIWPSB1-W1**  
OWNERS GUIDE



### We'll Make It Stress-Free

If you have any questions along the way, just give us a call.  
**800-359-5520** or, chat at **SANUS.com/chatSP**  
We're ready to help!

Doc. #1507331 08/20 Rev A

## IMPORTANT SAFETY INSTRUCTIONS

PLEASE READ ENTIRE MANUAL PRIOR TO USE – SAVE THESE INSTRUCTIONS

### ⚠ CAUTION: Avoid potential personal injuries and property damage!

- Please read through these instructions completely to be sure you're comfortable with this easy install process.
- Do not use this product for any purpose not explicitly specified by manufacturer.
- Manufacturer is not responsible for damage or injury caused by incorrect assembly or use.
- If you do not understand these instructions or have doubts about the safety of the installation, assembly or use of this product, contact customer service.

⚠ **WARNING:** RISK OF FIRE AND SHOCK. Do not connect the module 02 to any other circuits or outlets.

⚠ **CAUTION:** RISK OF FIRE AND SHOCK. ONLY intended for use on 15 ampere branch circuits.

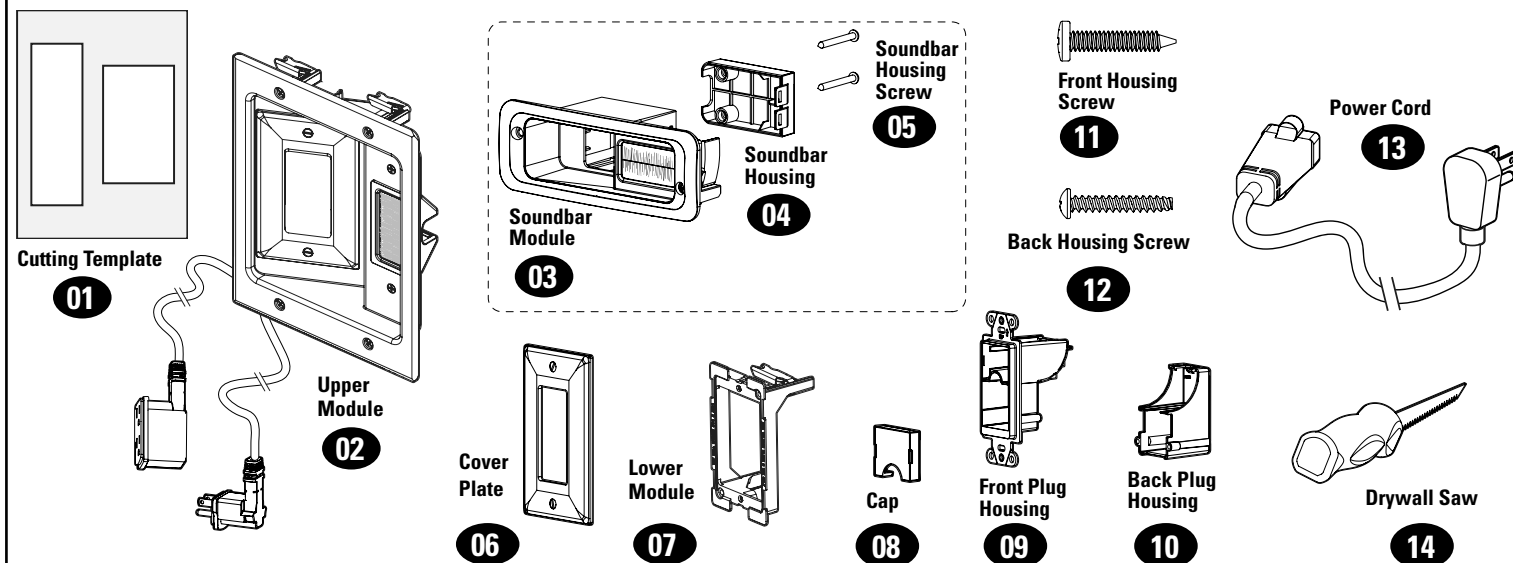
⚠ **CAUTION:** RISK OF FIRE AND SHOCK. Do not install power supply cord 13 within wall cavity.

This product conforms to and should be properly grounded in compliance with requirements of the current National Electrical Code or codes administered by local authorities.

All electrical products may present a possible shock or fire hazard if improperly installed or used. This product may bear the mark of a Nationally Recognized Testing Laboratory and should be installed in conformance with current local and/or the National Electrical Code.

## Supplied Parts

⚠ **WARNING:** This product contains small items that could be a choking hazard if swallowed. Before starting assembly, verify all parts are included and undamaged. If any parts are missing or damaged, do not return the damaged item to your dealer; contact Customer Service. Never use damaged parts!



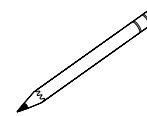
## Tools Required



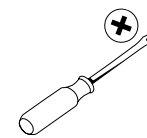
Stud Finder



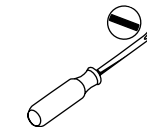
Tape Measure



Pencil



Phillips Screwdriver

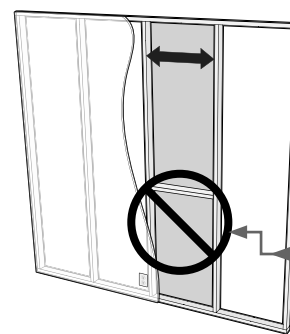


Slotted Screwdriver



Paint (optional)  
Surfaces are paintable  
to match your decor

## Verify Wall Compatibility



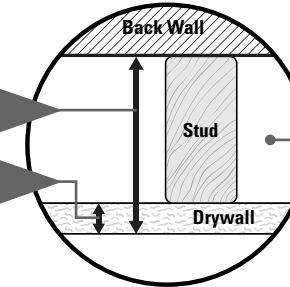
This Cable Kit is designed to fit into both interior and exterior walls constructed with:

❗ **Minimum Space into Wall:** 3 in.

❗ **Minimum Drywall Thickness:** 1/2 in. (MAX: 1 in.)

❗ **No Fire Block Stud in the cavity\***

\* A horizontal fire block stud requires a 1.75 inch hole to pass the power cord. This requires removal, then repair of drywall, to gain access to that stud. We recommend you consult a professional.

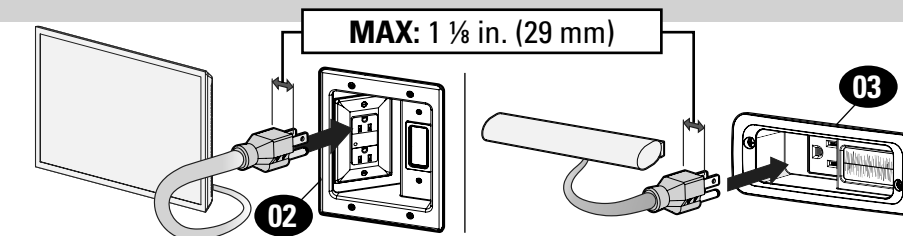


### NOTE:

The cable Pass-Through Width is 1.75 inch. Walls with blown-in type insulation may require removal of some insulation inside the cavity.

## Verify TV Plug Fit

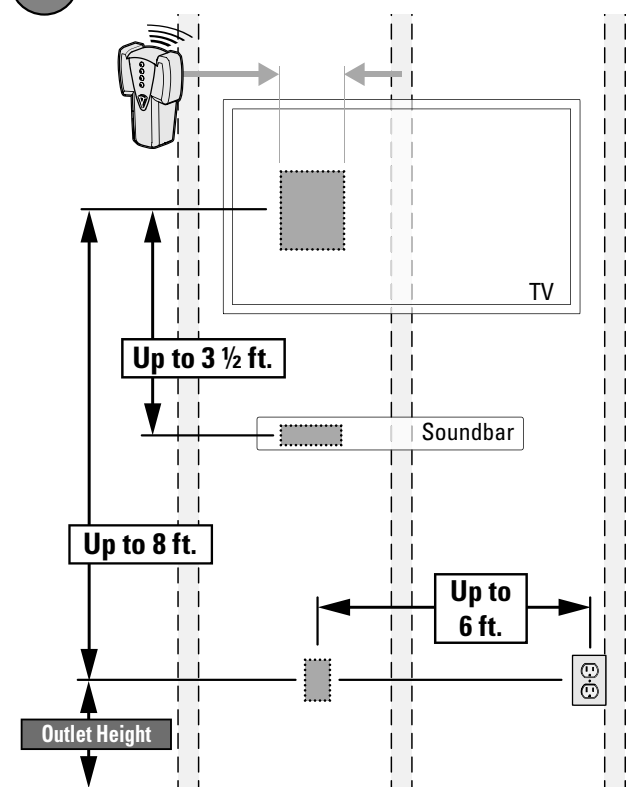
BEFORE DRILLING ANY HOLES:  
Make sure your TV plug fits in the upper module 02 and your soundbar fits in soundbar module 03.



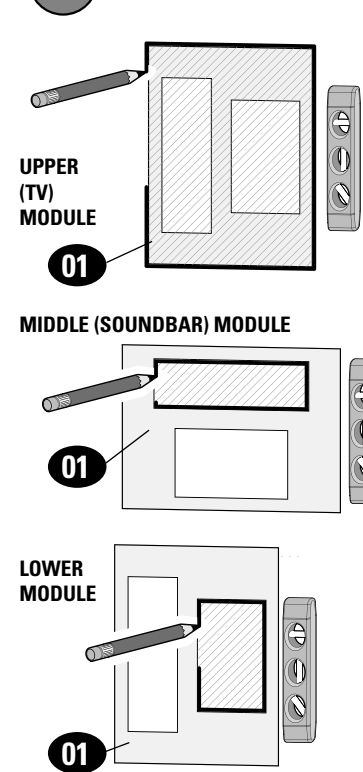
## STEP 1 Cut Holes

⚡ **TIP:** Drill the upper hole BEHIND your TV and the middle hole BEHIND your soundbar.

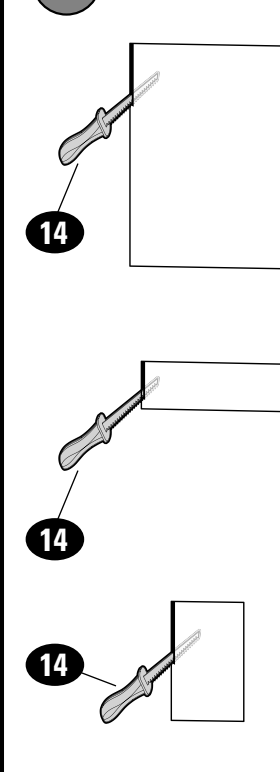
### 1 LOCATE



### 2 TRACE



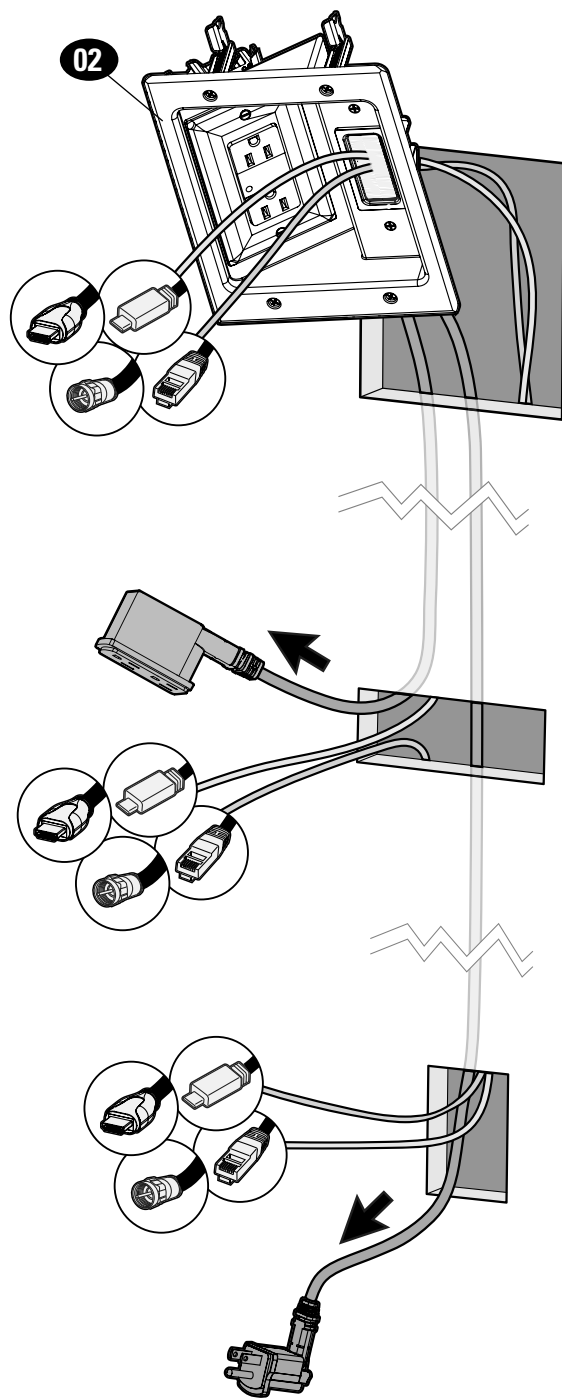
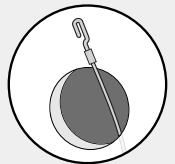
### 3 CUT



## STEP 2

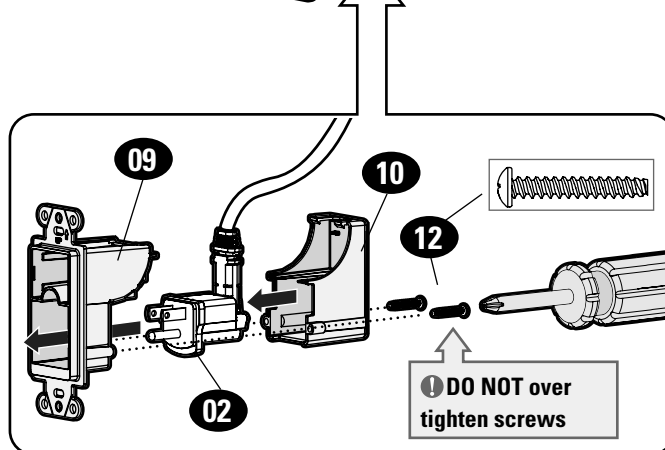
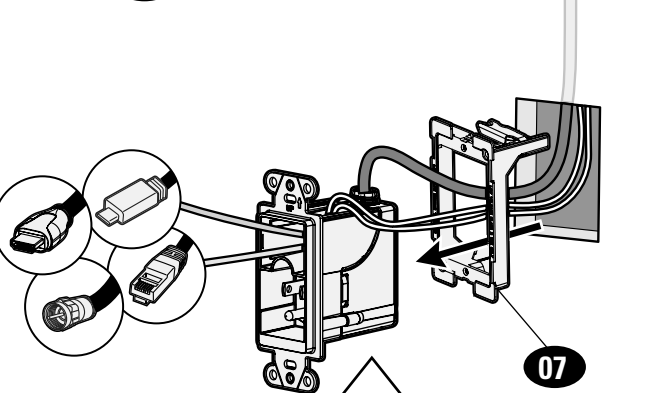
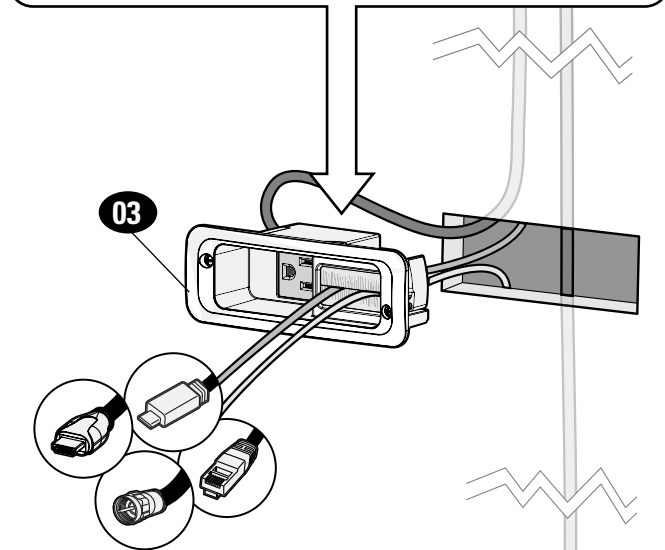
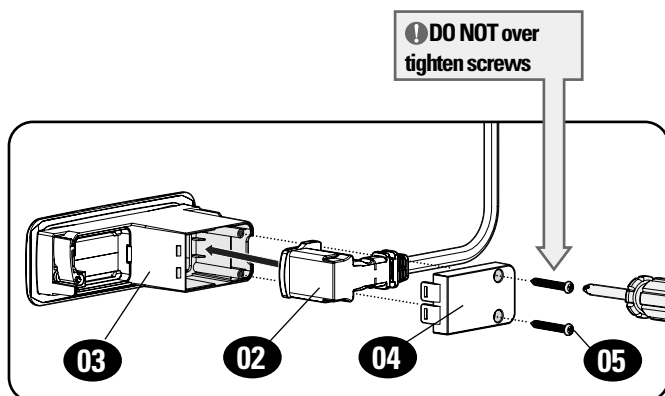
### Route Power Cords and Any Low Voltage Cables

**TIP:** Use a fish tape, to pull the cables through the wall.



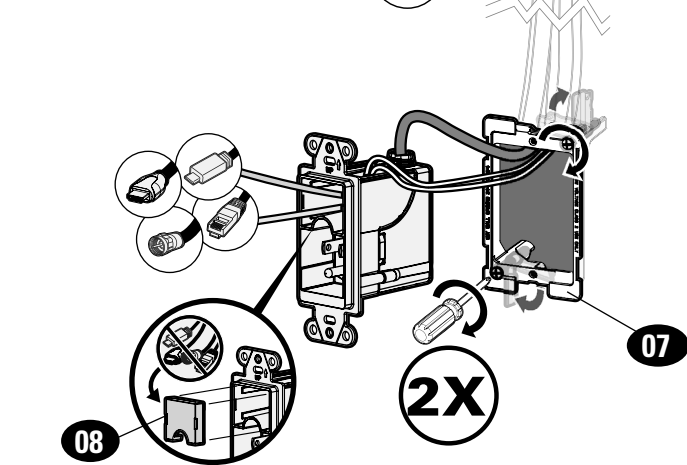
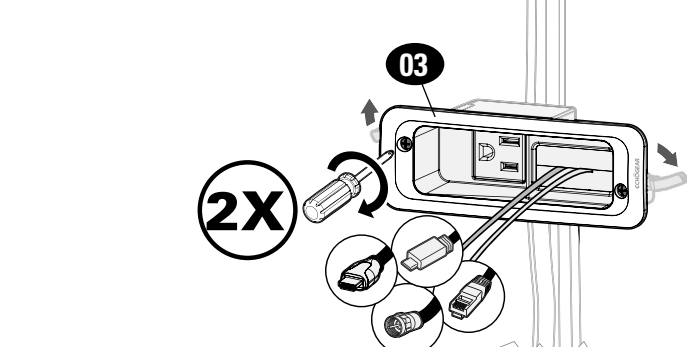
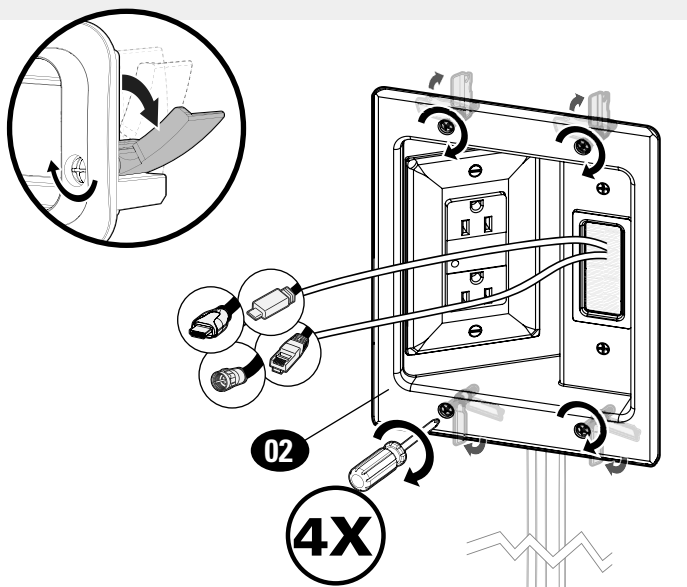
## STEP 3

### Assemble Modules



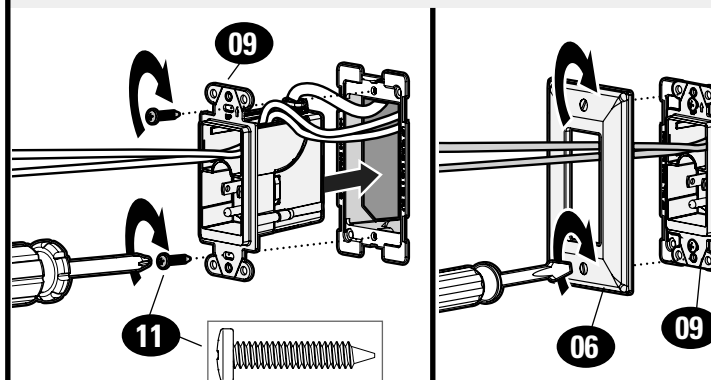
## STEP 4

### Secure Modules



## STEP 5

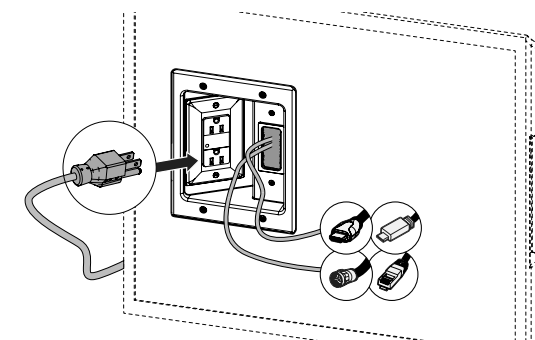
### Secure Lower Module



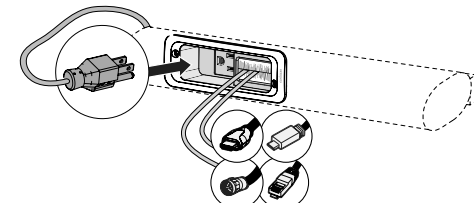
## STEP 6

### Install Cables

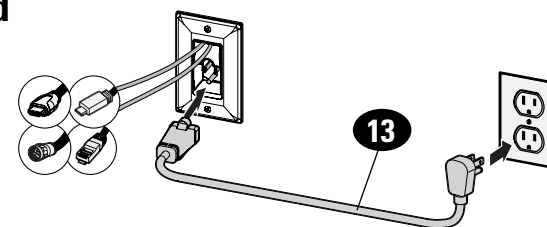
#### TV



#### Soundbar

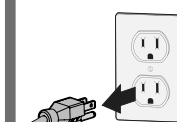


#### Power Cord



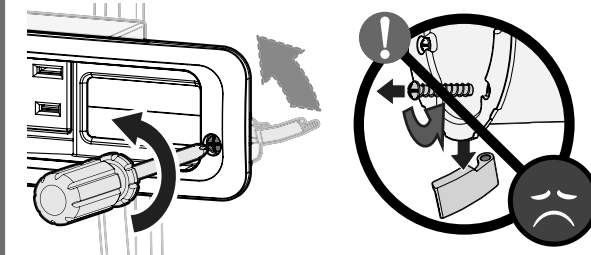
### Removal

#### a Unplug power



#### b Turn screws to remove modules

Loosen ONLY enough to remove module.



Legrand AV Inc. and its affiliated corporations and subsidiaries (collectively, "Legrand"), intend to make this manual accurate and complete. However, Legrand makes no claim that the information contained herein covers all details, conditions, or variations. Nor does it provide for every possible contingency in connection with the installation or use of this product. The information contained in this document is subject to change without notice or obligation of any kind. Legrand makes no representation of warranty, expressed or implied, regarding the information contained herein. Legrand assumes no responsibility for accuracy, completeness or sufficiency of the information contained in this document.

©2020 Legrand AV Inc. All Rights Reserved. SANUS is a Legrand AV Inc. brand. SANUS and the SANUS logo are trademarks of Legrand.

**Legrand AV Inc.**  
6436 City West Parkway;  
Eden Prairie, MN 55344 USA  
SANUS.com | 800-359-5520