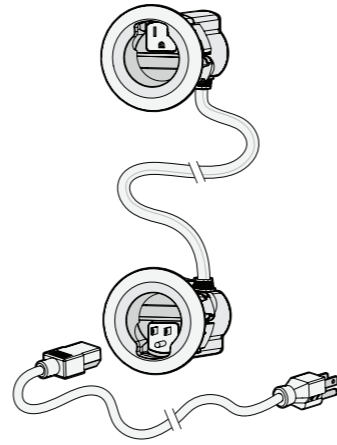


# SANUS

## IN-WALL CABLE KIT

Model **WSIWP1-W1**  
OWNERS GUIDE



### We'll Make It Stress-Free

If you have any questions along the way, just give us a call.  
**800-359-5520** or, chat at **SANUS.com/chatSP**  
We're ready to help!

## IMPORTANT SAFETY INSTRUCTIONS

PLEASE READ ENTIRE MANUAL PRIOR TO USE – SAVE THESE INSTRUCTIONS

Before getting started, let's make sure this product is perfect for you!

**CAUTION:** Avoid potential personal injuries and property damage!

- Please read through these instructions completely to be sure you're comfortable with this easy install process.
- Do not use this product for any purpose not explicitly specified by manufacturer.
- Manufacturer is not responsible for damage or injury caused by incorrect assembly or use.
- If you do not understand these instructions or have doubts about the safety of the installation, assembly or use of this product, contact Customer Service

**WARNING:** RISK OF FIRE AND SHOCK. Do not connect the modules 01 or 02 to any other circuits or outlets.

**CAUTION:** RISK OF FIRE AND SHOCK. ONLY intended for use on 15 ampere branch circuits.

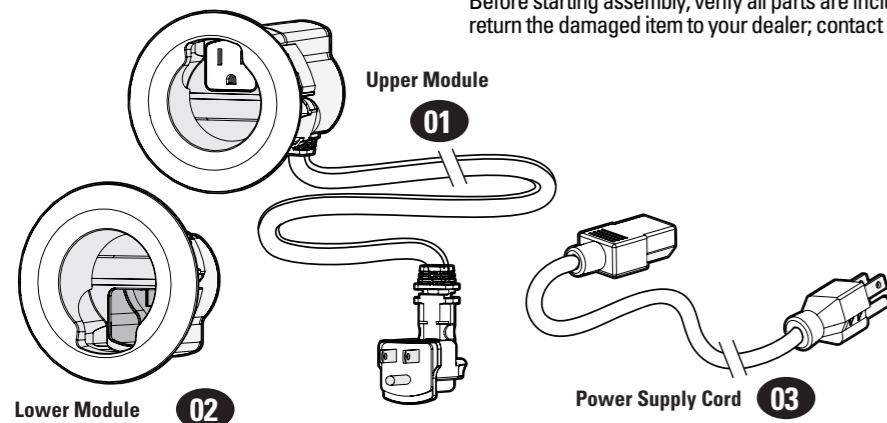
**CAUTION:** RISK OF FIRE AND SHOCK. Do not install power supply cord 03 within wall cavity.

This product conforms to and should be properly grounded in compliance with requirements of the current National Electrical Code or codes administered by local authorities.

All electrical products may present a possible shock or fire hazard if improperly installed or used. This product may bear the mark of a Nationally Recognized Testing Laboratory and should be installed in conformance with current local and/or the National Electrical Code.

## Supplied Parts

**WARNING:** This product contains small items that could be a choking hazard if swallowed. Before starting assembly, verify all parts are included and undamaged. If any parts are missing or damaged, do not return the damaged item to your dealer; contact Customer Service. Never use damaged parts!



## Included



Legrand AV Inc. and its affiliated corporations and subsidiaries (collectively, "Legrand"), intend to make this manual accurate and complete. However, Legrand makes no claim that the information contained herein covers all details, conditions, or variations. Nor does it provide for every possible contingency in connection with the installation or use of this product. The information contained in this document is subject to change without notice or obligation of any kind. Legrand makes no representation of warranty, expressed or implied, regarding the information contained herein. Legrand assumes no responsibility for accuracy, completeness or sufficiency of the information contained in this document.

©2020 Legrand AV Inc. All rights reserved. SANUS is a Legrand brand. SANUS and the SANUS logo are trademarks of Legrand.

Legrand AV INC. 6436 City West Parkway; Eden Prairie, MN 55344 USA

1025682 03/20

## Tools Required



Tape Measure



Pencil



Electric Drill

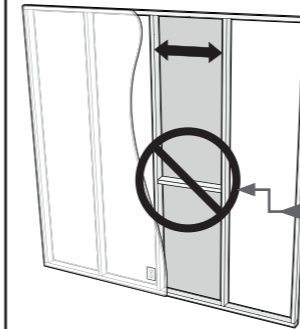


Phillips Screwdriver



Paint (optional)  
Surfaces are paintable  
to match your decor

## Verify Wall Compatibility



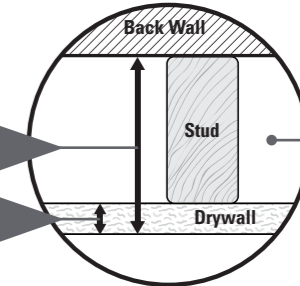
This Cable Kit is designed to fit into both interior and exterior walls constructed with:

**Minimum Space into Wall: 3 in.**

**Minimum Drywall Thickness: 1/2 in. (MAX: 1 in.)**

**No Fire Block Stud in the cavity\***

\* A horizontal fire block stud requires a 1.75 inch hole to pass the power cord. This requires removal, then repair of drywall, to gain access to that stud. We recommend you consult a professional.

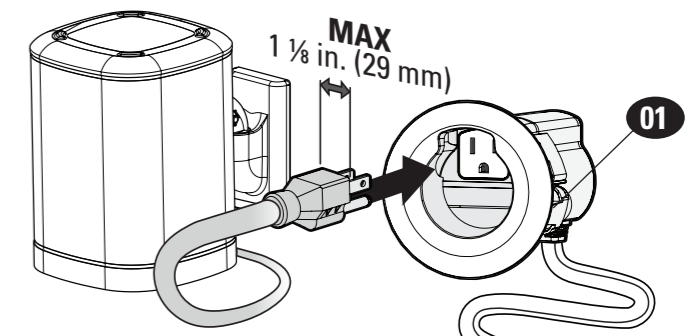


### NOTE:

The cable Pass-Through Width is 1.75 inch. Walls with blown-in type insulation may require removal of some insulation inside the cavity.

## Verify Speaker Plug Fit

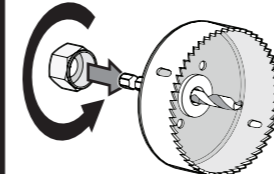
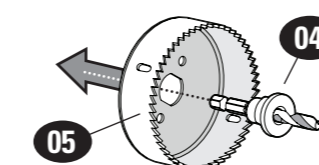
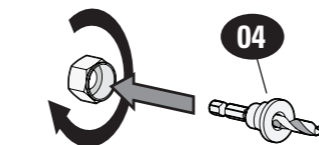
BEFORE DRILLING ANY HOLES:  
Make sure your speaker plug fits in the upper module 01.



## STEP 1

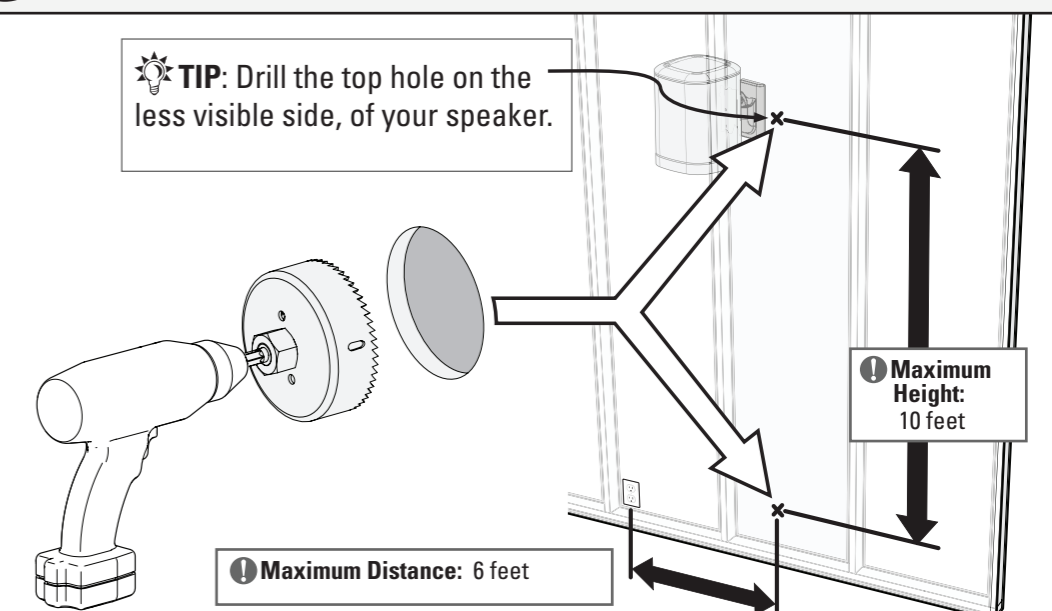
### Drill Holes

#### a Assemble the Hole Saw



#### b Drill Holes

**TIP:** Drill the top hole on the less visible side, of your speaker.




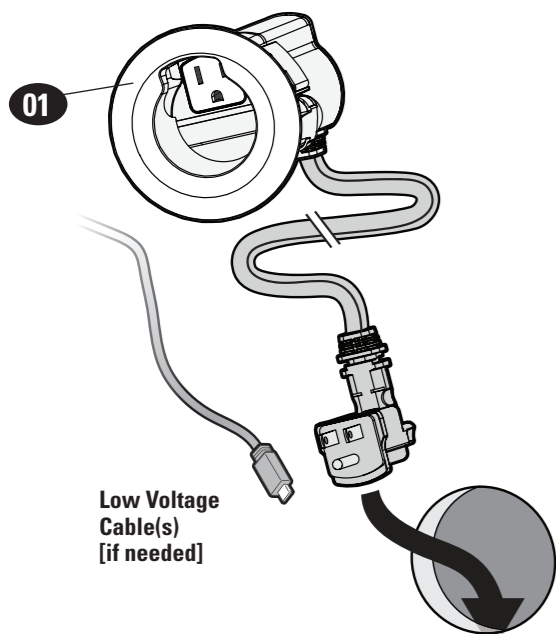
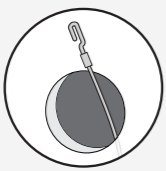
**Maximum Distance: 6 feet**

**Maximum Height: 10 feet**

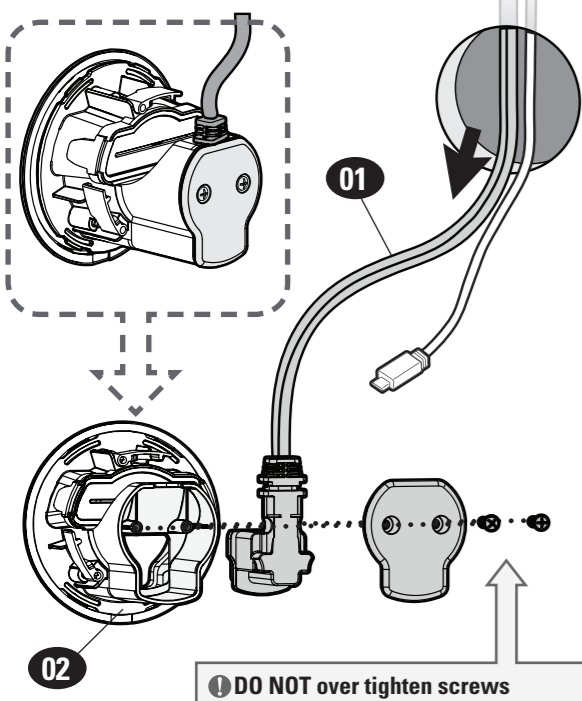
## STEP 2

### Route Cables

 **TIP:** Use a fish tape, to pull the cables through the wall.




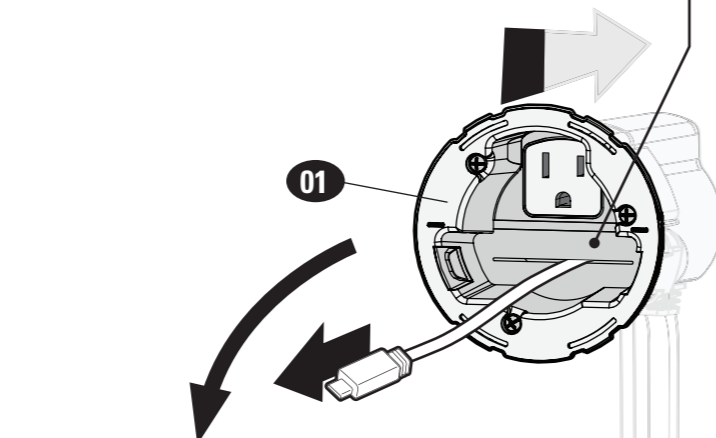
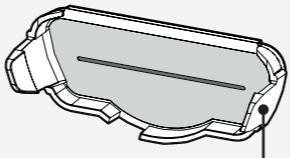
Low Voltage Cable(s)  
[if needed]



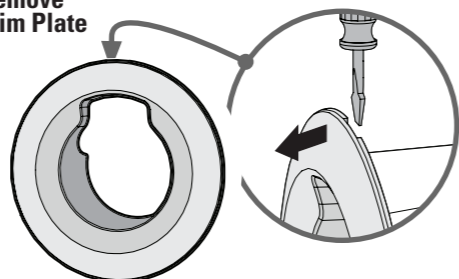
## STEP 3

### Insert Modules in Wall

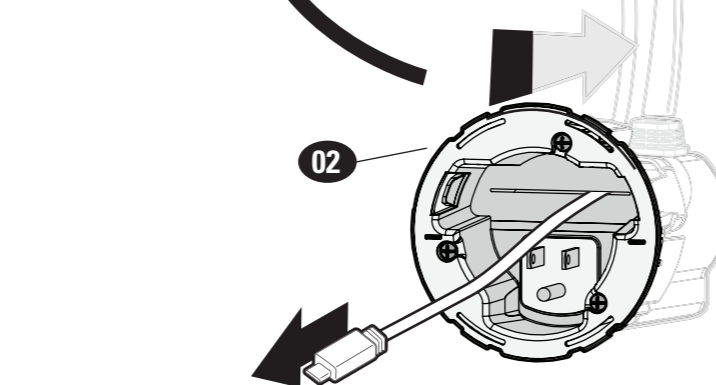
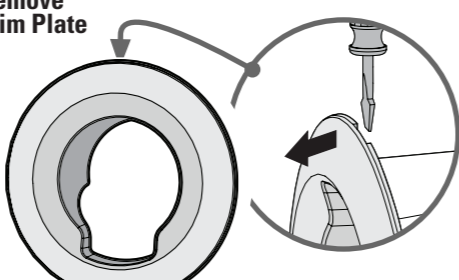
 **NOTE:** The gaskets can be removed for larger cables.



Remove Trim Plate



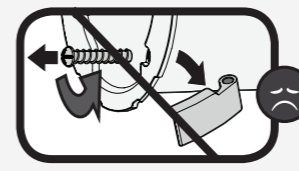
Remove Trim Plate



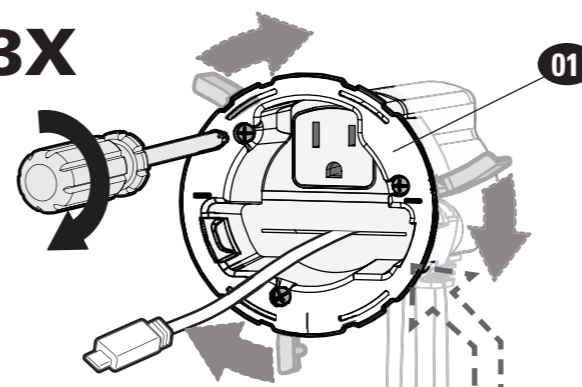
## STEP 4

### Secure Modules

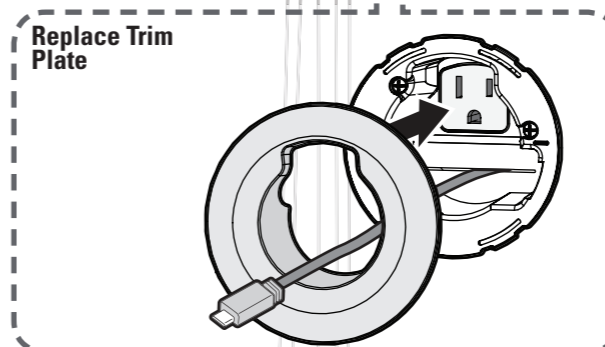
 **DO NOT** loosen the screws



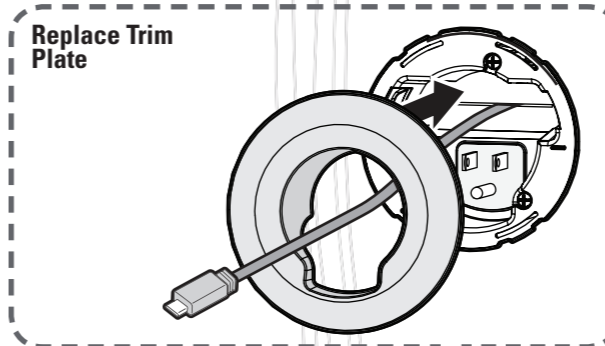
3X



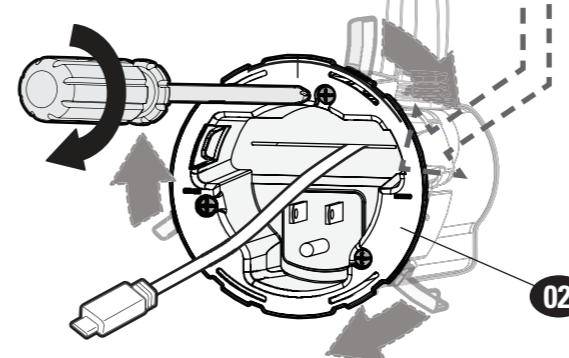
Replace Trim Plate



Replace Trim Plate



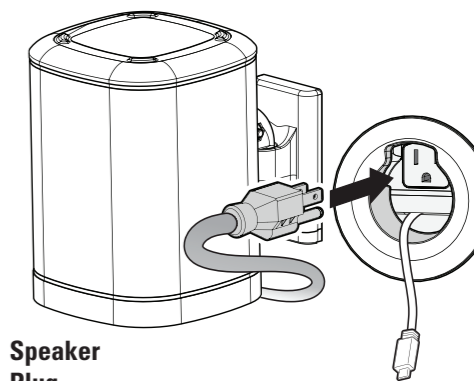
3X



## STEP 5

### Plug In Cables

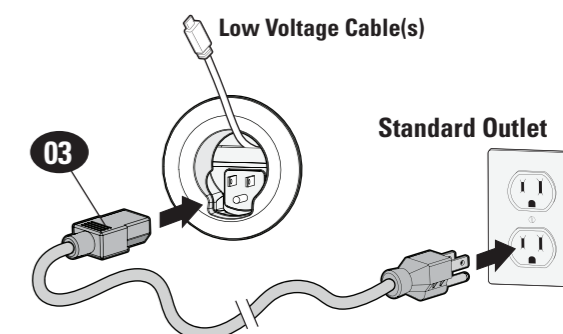
#### Speaker



Speaker Plug

Low Voltage Cable(s)

#### Power Cord

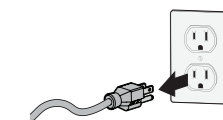


Low Voltage Cable(s)

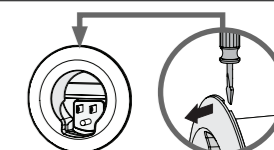
Standard Outlet

### REMOVAL

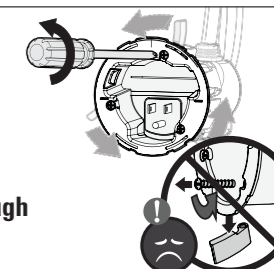
**a** Unplug power cords



**b** Remove trim plate



**c** Turn screws to remove module



 **Loosen ONLY** enough to remove module.