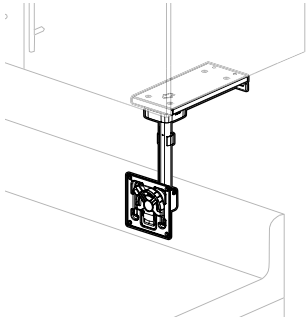




WSEHUCM-B2

UNDER-CABINET MOUNT For Amazon Echo Show 15

INSTRUCTION MANUAL



EN Parts Included
ES Piezas y elementos de montaje
FR Pièces et quincaillerie
DE Teile und Befestigungsmaterialien
SV Delar och monteringsmaterial
NO Medfølgende deler og utstyr
IT Parti ed elementi di montaggio in
PL Dostarczone części i osprzet
PT Partes e Ferramentas Fornecidas
JA 部品および金具類

Mount 1 1x
 Bracket 2 1x
 Cable Cover 3 1x
 #10-24 x 7/16 in. T-NUT 4 4x
 M4 / M5 CABINET WASHER 5 4x
 #10-24 x 7/8 in. CABINET BOLT LONG 6 4x
 #10-24 x 5/8 in. CABINET BOLT SHORT 7 4x
 M4 x 14mm SCREEN BOLT 8 4x
 5/32 in. 5/32" HEX KEY 1x

EN Tools Needed
ES Herramientas necesarias
FR Outils nécessaires
DE Benötigte Werkzeuge
SV Verktyg som behövs
NO Nødvendig verktøy
IT Strumenti richiesti
PL Wymagane narzędzia
PT Ferramentas necessárias
JA 必要な工具

1/4 in. (6.5 mm)

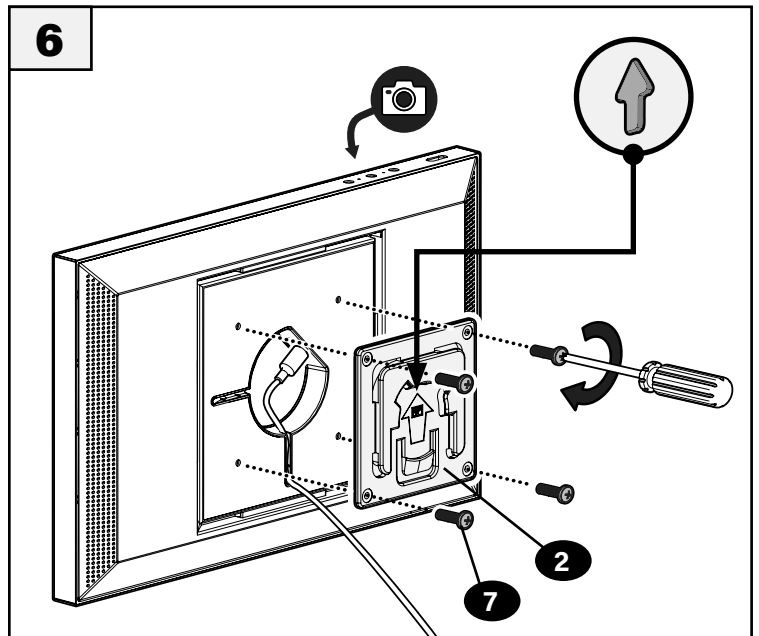
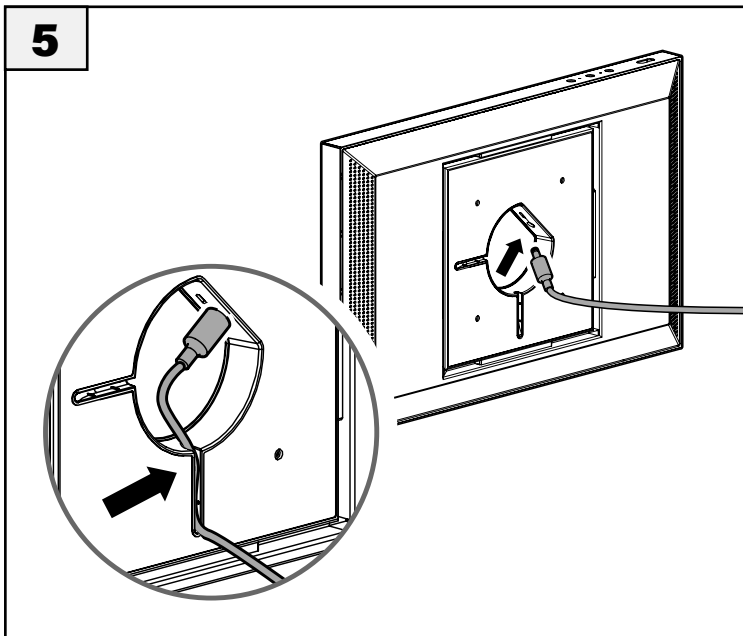
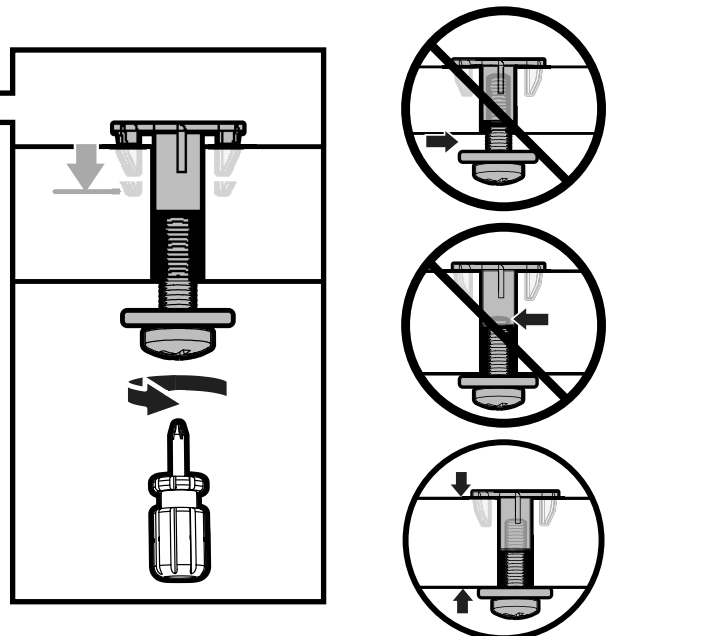
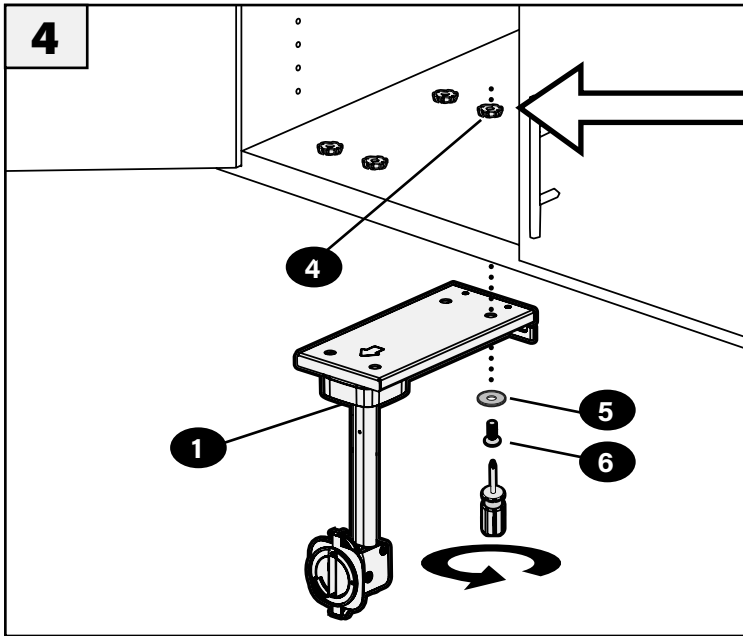
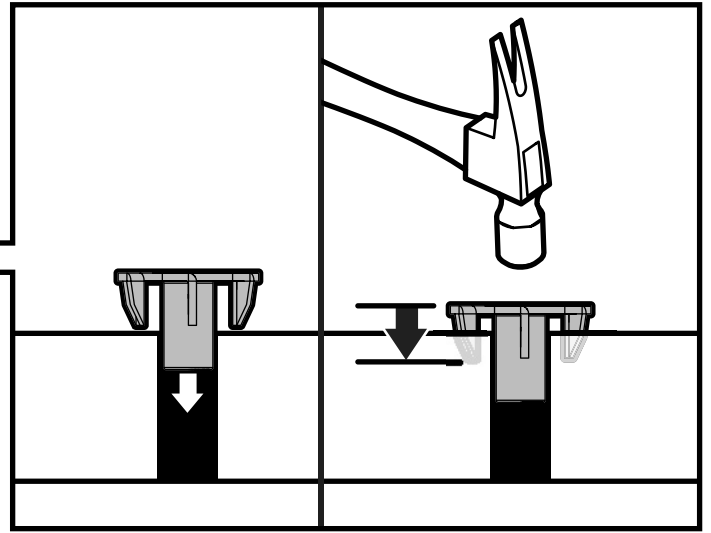
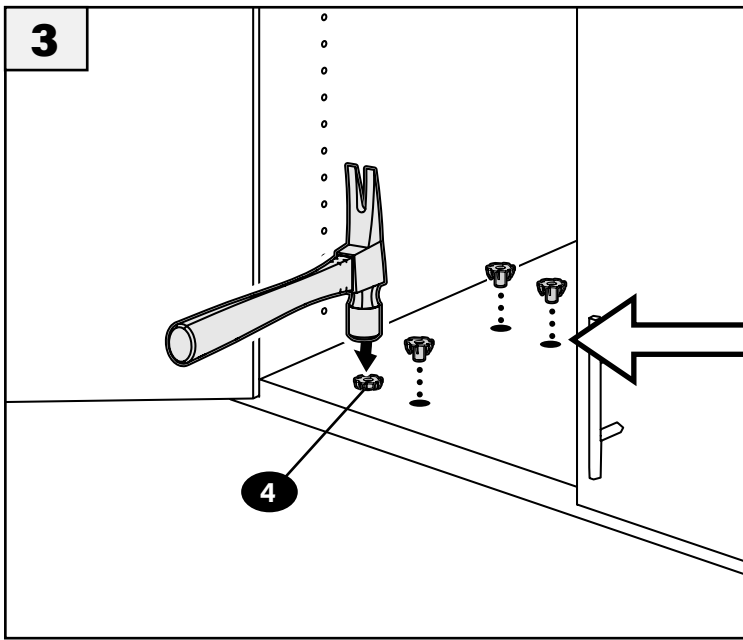
EN Landscape Option
ES Opción de paisaje
FR Option paysage
DE Querformat-Option
SV Liggande alternativ
NO Landskapsmulighet
IT Opzione orizzontale
PL Opcja pozioma
PT Opção Paisagem
JA ランドスケープオプション

EN Portrait Option
ES Opción de retrato
FR Portrait Option
DE Portrait-Option
SV Porträttalternativ
NO Portrettalternativ
IT Opzione ritratto
PL Opcja pionowa
PT Opção Retrato
JA ポートレートオプション

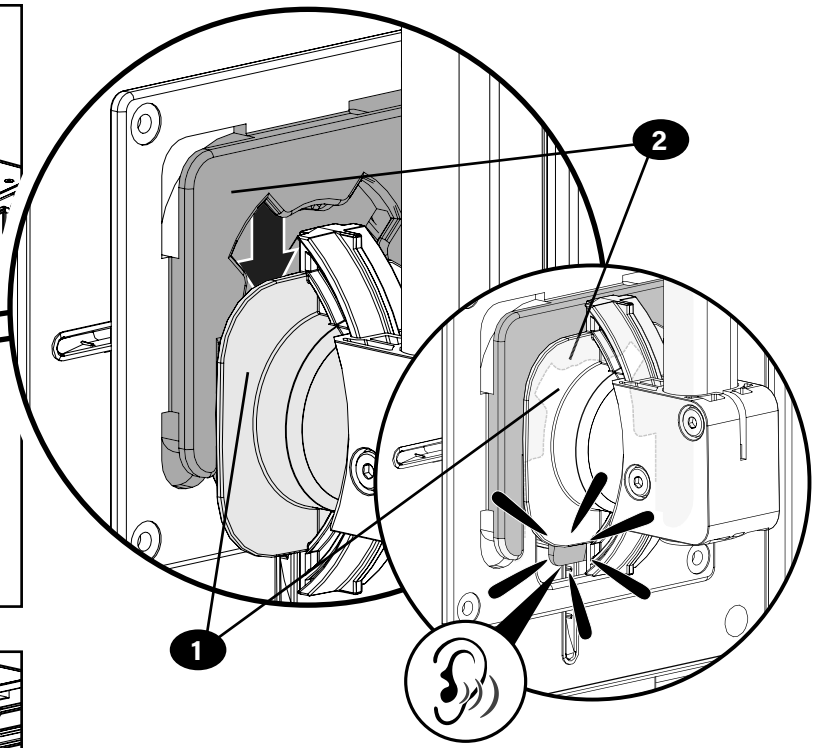
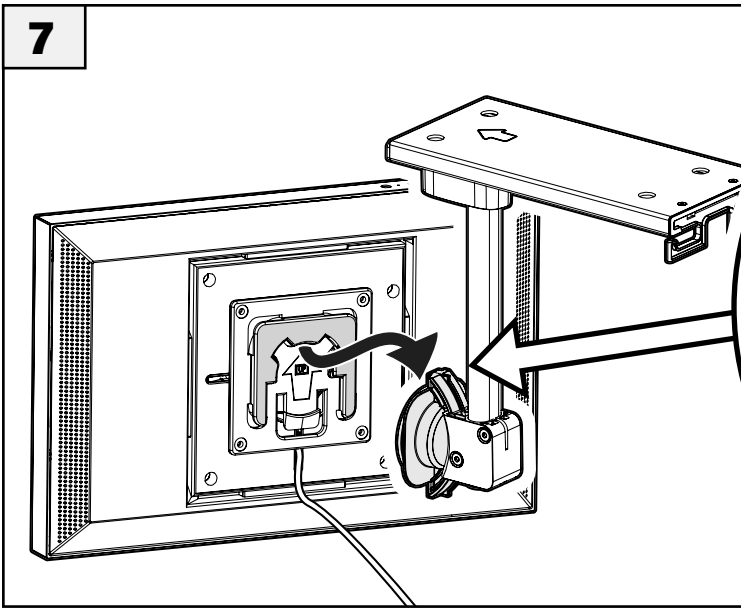
1

2

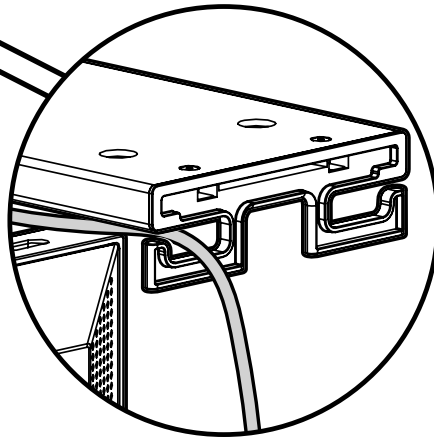
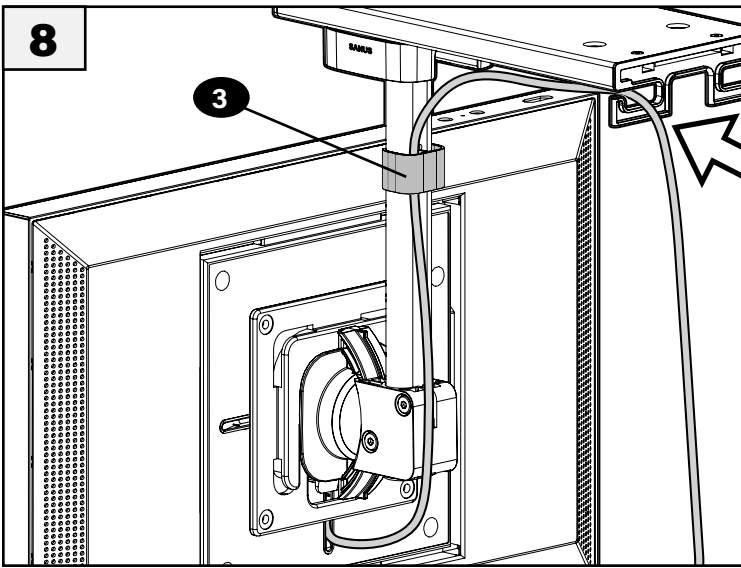
1/4 in. (6.5 mm)



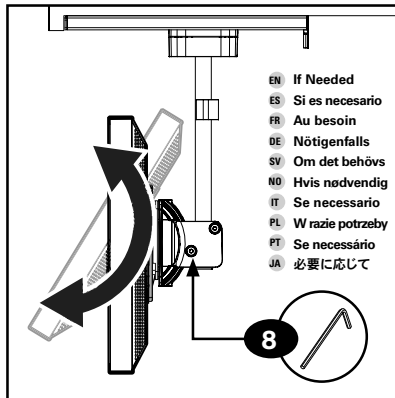
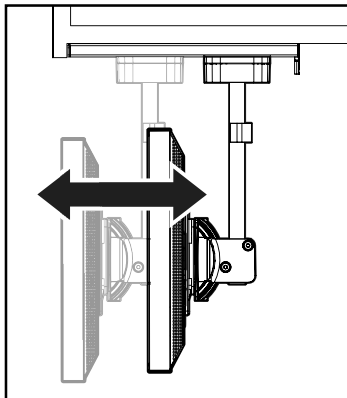
7



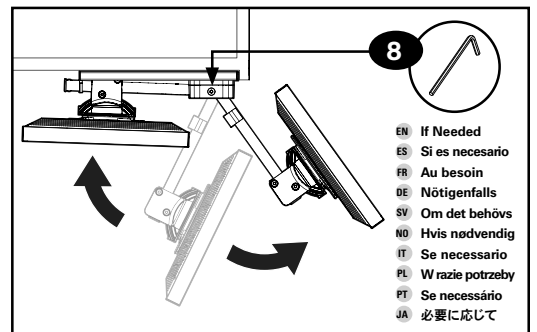
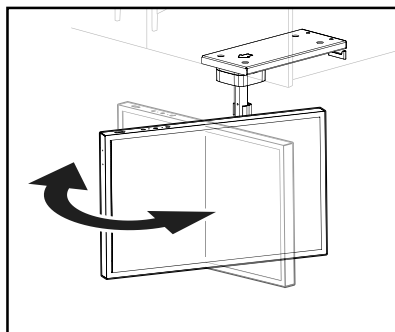
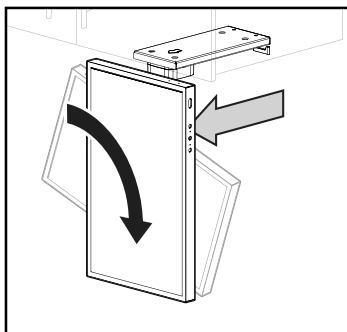
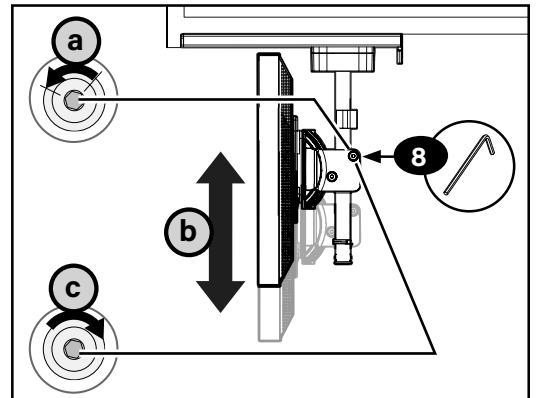
8



- EN Adjustments
- ES Ajustes
- FR Réglages
- DE Einstellungen
- SV Justeringar
- NO Anpassingen
- IT Regolazioni
- PL Regulacja
- PT Ajustes
- JA 調節



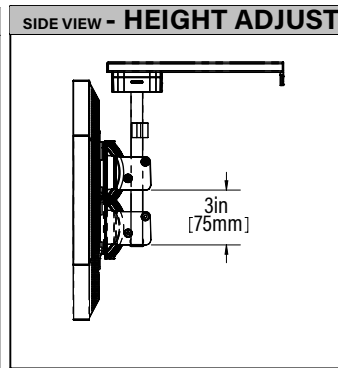
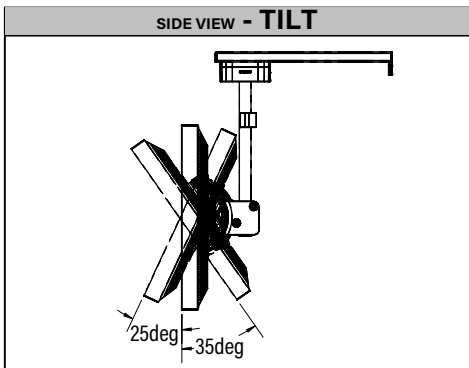
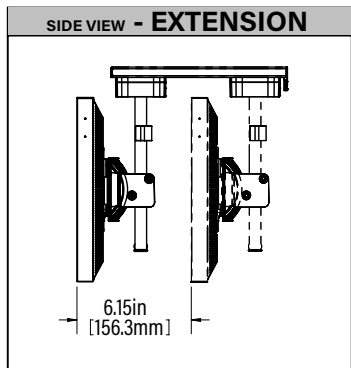
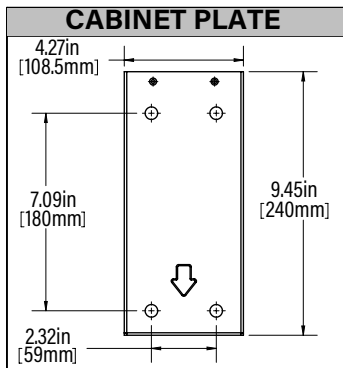
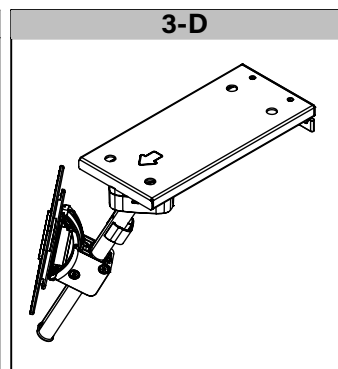
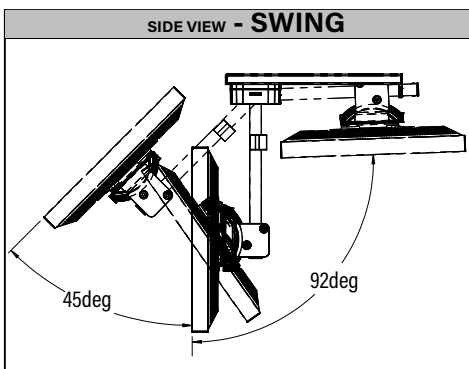
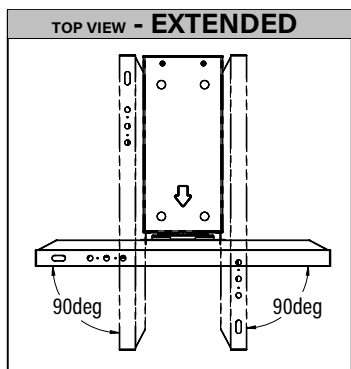
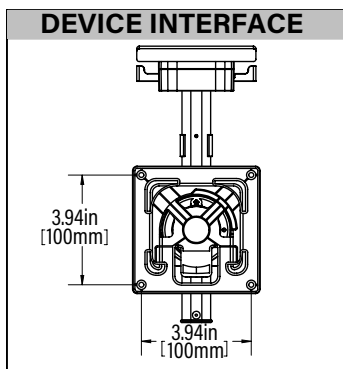
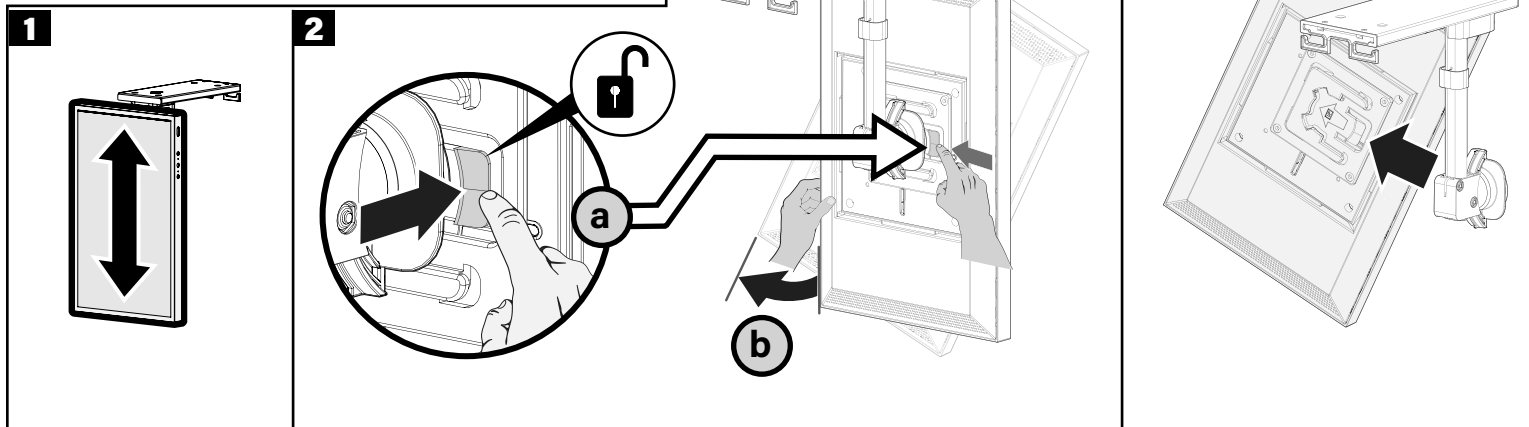
- EN If Needed
- ES Si es necesario
- FR Au besoin
- DE Nötigenfalls
- SV Om det behövs
- NO Hvis nødvendig
- IT Se necessario
- PL W razie potrzeby
- PT Se necessário
- JA 必要に応じて



- EN If Needed
- ES Si es necesario
- FR Au besoin
- DE Nötigenfalls
- SV Om det behövs
- NO Hvis nødvendig
- IT Se necessario
- PL W razie potrzeby
- PT Se necessário
- JA 必要に応じて

EN To Remove
 ES Para quitar el monitor
 FR Pour enlever le moniteur
 DE Monitor abnehmen
 SV Om du ska ta bort bildskärmen

NO Om de monitor te verwijderen
 IT Per rimuovere il monitor
 PL W celu wyjęcia monitora
 PT Para remover o monitor
 JA モニターを取り外す場合



Legrand AV Inc. and its affiliated corporations and subsidiaries (collectively, "Legrand"), intend to make this manual accurate and complete. However, Legrand makes no claim that the information contained herein covers all details, conditions, or variations. Nor does it provide for every possible contingency in connection with the installation or use of this product. The information contained in this document is subject to change without notice or obligation of any kind. Legrand makes no representation of warranty, expressed or implied, regarding the information contained herein. Legrand assumes no responsibility for accuracy, completeness or sufficiency of the information contained in this document.

©2022 Legrand AV Inc. All Rights Reserved.
 SANUS is a Legrand AV Inc. brand and a registered trademark owned by Legrand.
 Amazon, Echo and the Made for Amazon logo are trademarks of Amazon.com, Inc. or its affiliates.

Legrand AV Inc.
 6436 City West Parkway
 Eden Prairie, MN 55344 USA
 US: +1 (800) 359 5520
 SANUS.com

Legrand AV Netherlands B.V.
 Franklinstraat 14 6003 DK Weert,
 Netherlands
 EMEA: +31 (0) 495 580 852
 UK: +44 (0) 800 056 2853
 SANUS.com

Authorized Representative for the UK:
 Starline Holding Technology Ltd.
 Unit C Island Road
 Reading RG2 0RP