

WF50A8500AV

Samsung 5.0 cu. ft. Extra-Large Capacity Smart Front Load Washer with Super Speed Wash

SAMSUNG



Available Color



Brushed Black
WF50A8500AV

Features

- Extra-Large 5.0 cu. ft. Capacity
- Super Speed Wash
- Wi-Fi Connectivity¹
- Antimicrobial Technology
- Steam
- Vibration Reduction Technology+
- Swirl+ Drum Interior
- Self Clean+
- ENERGY STAR® Most Efficient
- Interior Drum Light
- ADA Compliant²
- Accessibility (AUI, Braille)
- Stackable
- Internal Water Heater
- 1300 RPM Maximum Spin Speed
- Direct Drive Motor
- 23 Total Washing Cycles
- 9 Additional Options

Convenience

- Child Lock
- Dispenser Trays: Main Wash, Softener, Bleach

Ratings



CEE Tier 2
IMEF = 2.92
IWF = 2.9
100 kWh/yr

Electrical Requirements

120 V / 60 Hz
15 Amps

Specifications

12 Preset Washing Cycles:

Normal, Heavy Duty, Bedding, Quick Wash, Delicates, Towels, Rinse + Spin, Self Clean+, Steam Sanitize, Steam Normal, Steam Whites, Downloads

11 Downloadable Washing Cycles:

Permanent Press, Wool, Eco Cold, Colors, Spin Only, Outdoor, Denim, Steam Allergen, Power Steam, Steam Bulky, Power Rinse

9 Additional Washing Options:

Pre Soak, Delay End, Smart Control, Super Speed, Drum Light, Child Lock, Smart Care, Sound, Spin Only

5 Temperature Settings:

Hot, Warmer, Warm, Cool, Cold

5 Spin Settings:

High, Medium High, Medium, Low, No Spin

5 Soil Settings:

Heavy, Heavy Medium, Normal, Low Medium, Light

Warranty

One (1) Year Parts and Labor
Three (3) Years Stainless Steel Drum (Part Only)
Ten (10) Years DD Motor (Part Only)

Product Dimensions & Weight (WxHxD)

Dimensions: 27" x 38³/₄" x 33¹/₂"
Weight: 213.8 lbs

Shipping Dimensions & Weight (WxHxD)

Dimensions: 29³/₈" x 42³/₈" x 35³/₈"
Weight: 218.3 lbs

Washer	Model #	UPC Code
Brushed Black	WF50A8500AV	887276540726
Matching Electric Dryer		
Brushed Black	DVE50A8500V	887276549569
Matching Gas Dryer		
Brushed Black	DVG50A8500V	887276549576

Optional Accessories	Model #	UPC Code
Brushed Black Pedestal	WE402NV	887276310145
Brushed Black Riser	WE272NV	887276197630
Stacking Kit	SKK-8K	887276344034

¹Requires wireless network, Samsung account and Samsung SmartThings App. The Samsung Smart Things App supports Android OS 4.0 (ICS) or later which is optimized for Samsung smartphones (Galaxy S and Galaxy Note series). This app also supports iOS 7 or later for iPhone models. Samsung SmartThings App available in App Store and Play Store.

²ADA Compliant when using 27" wide riser. (Riser model codes: WE272NV, WE272NW, WE272NC)

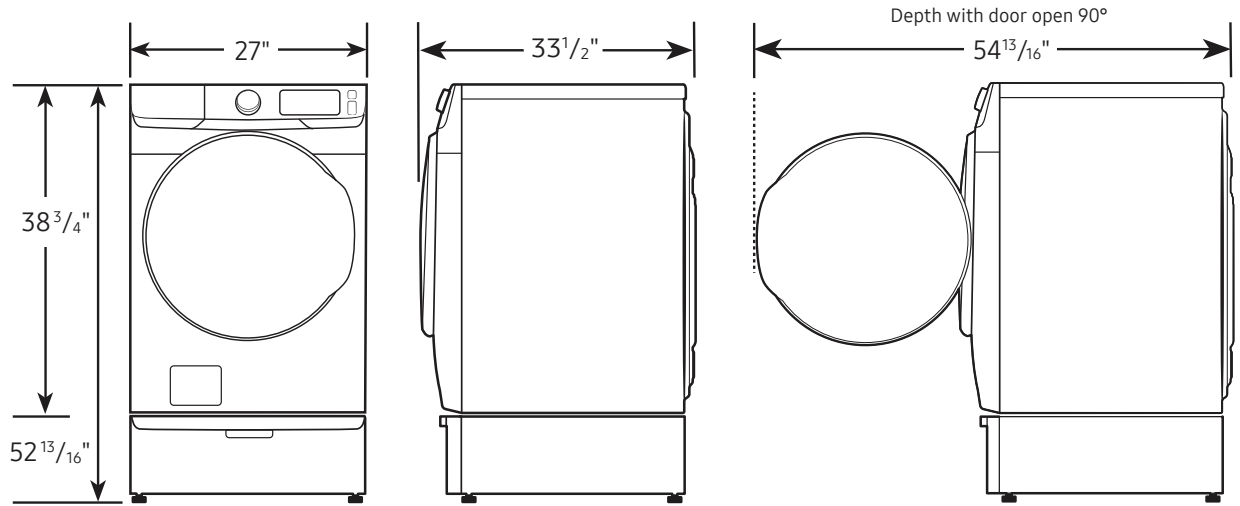
WF50A8500AV

SAMSUNG

Samsung 5.0 cu. ft. Extra-Large Capacity Smart Front Load Washer with Super Speed Wash

Dimensions

Required dimensions for installation with pedestal:

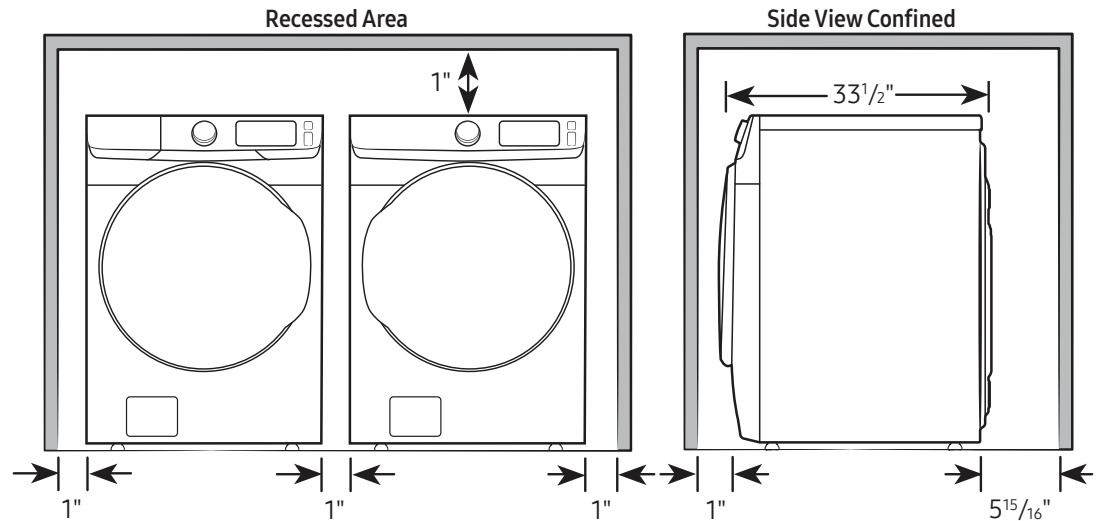


Installation Specifications – Side-by-Side

If the washer and dryer are installed together or the dryer alone, the closet front must have two unobstructed air openings for a combined minimum total area of 72-inch². Your washer alone does not require a specific air opening.

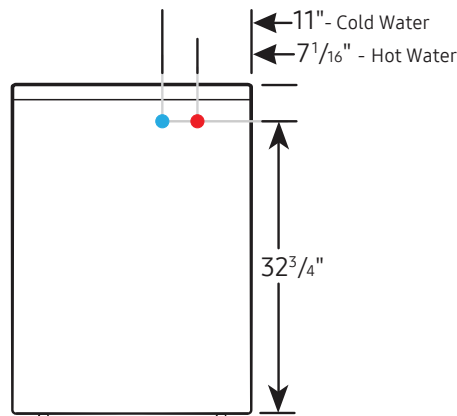
Alcove or closet installation

Minimum clearance for closet and alcove installations:



Connection Dimensions

Back view of washer



LEGEND:

- Cold Water Connection
- Hot Water Connection

Actual color may vary. Design, specifications, and color availability are subject to change without notice. Non-metric weights and measurements are approximate.

©2021 Samsung Electronics America, Inc., 85 Challenger Road, Ridgefield Park, NJ 07660. Tel: 800-SAMSUNG.samsung.com. Samsung is a registered trademark of Samsung Electronics Co., Ltd.

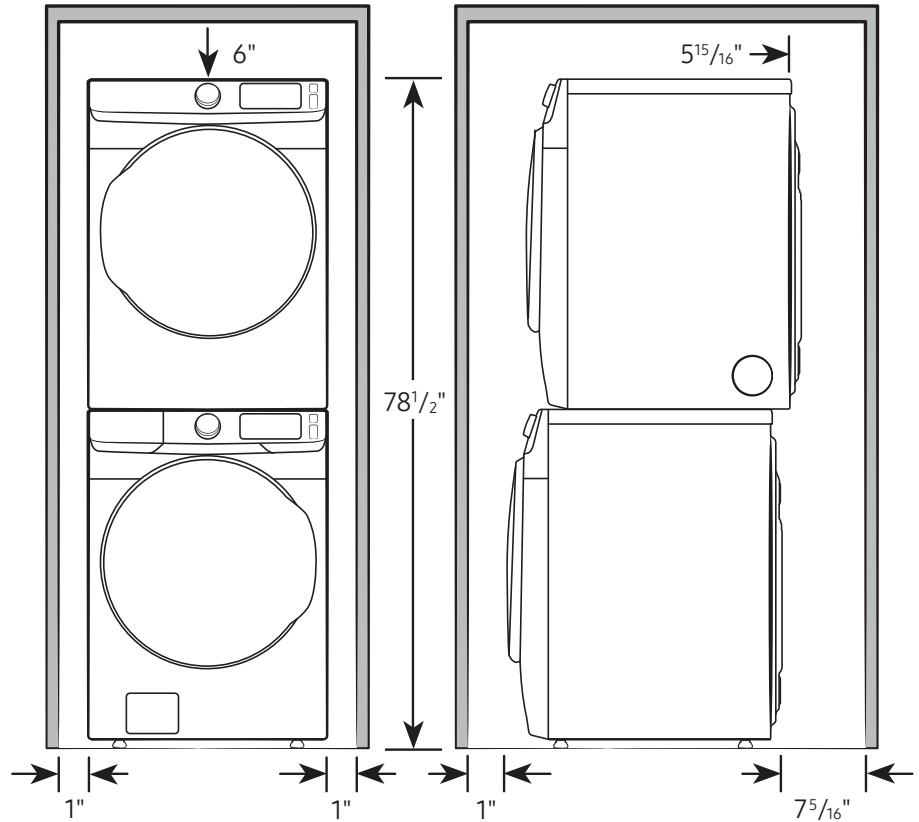
WF50A8500AV

SAMSUNG

Samsung 5.0 cu. ft. Extra-Large Capacity Smart Front Load Washer with Super Speed Wash

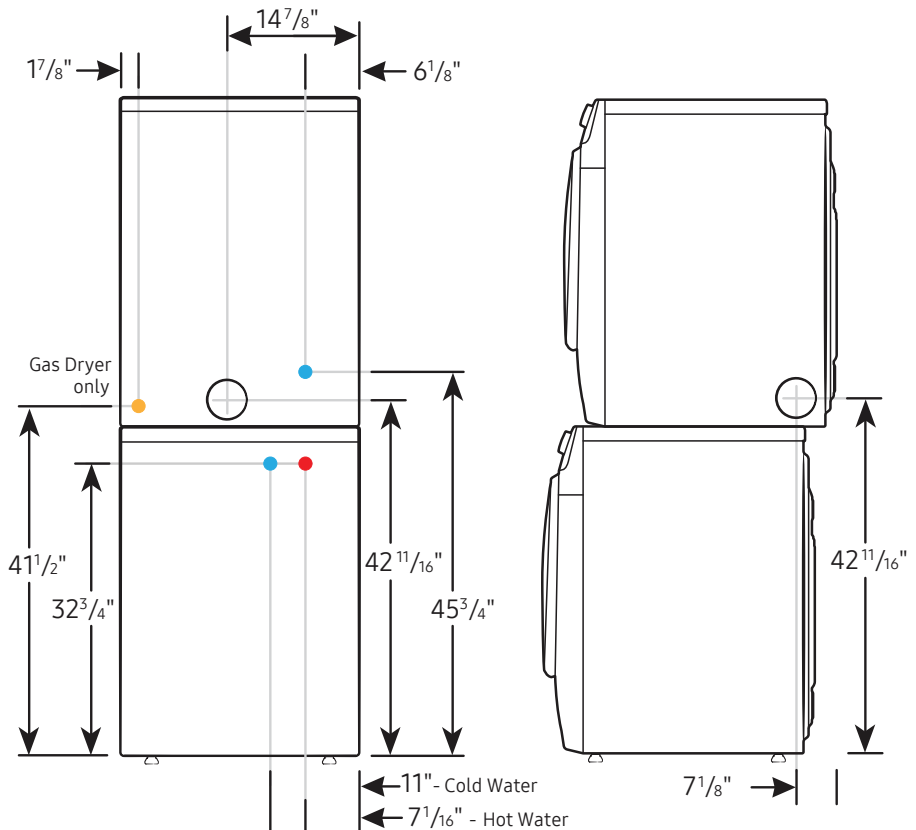
Installation Specifications – Stacked Pair

Clearances indicated are for stacked pairs. The closet front must have two unobstructed air openings for a combined minimum total area of 72-inch².



Connection Dimensions

Back and side views of stacked pair



LEGEND:

- Cold Water Connection
- Hot Water Connection
- Gas Connection

Actual color may vary. Design, specifications, and color availability are subject to change without notice. Non-metric weights and measurements are approximate.

©2021 Samsung Electronics America, Inc., 85 Challenger Road, Ridgefield Park, NJ 07660. Tel: 800-SAMSUNG.samsung.com. Samsung is a registered trademark of Samsung Electronics Co., Ltd.