

WF45T6000AP

SAMSUNG

Samsung 4.5 cu. ft. Front Load Washer with Vibration Reduction Technology+



Signature Features

4.5 cu. ft. Capacity

- Fewer loads, less time in the laundry room and more time doing the things you love.

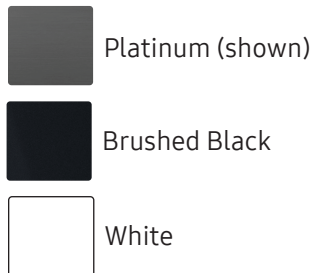
Vibration Reduction Technology+

- Reduces noise and vibration for extra quiet washing.

Self Clean+

- Eliminates 99% of bacterial¹ in the drum.

Available Colors



Vibration Reduction Technology+



Self Clean+

Features

- 4.5 cu. ft. Capacity
- Vibration Reduction Technology+
- Self Clean+¹
- Smart Care²
- Swirl+ Drum Interior
- Closet-Depth Fit³
- Stackable
- UL Certified
- 1200 RPM Maximum Spin Speed
- Direct Drive Motor

- 10 Preset Washing Cycles
- 6 Additional Washing Options
- 5 Temperature Levels
- LED Display: Ice Blue
- 24-Hour Delay End

Convenience

- Child Lock
- Delay End
- Dispenser Trays: Main Wash, Softener, Bleach

Ratings



ENERGY STAR® Rated
CEE Tier 2
IMEF = 2.95
IWF = 2.9
90 kWh/yr



ADA Compliant⁴

¹Based on testing by Intertek of the Self Clean+ cycle on the WF6000R.

²Requires Samsung Smart Washer/Dryer App. The Samsung Smart Washer/Dryer App supports Android OS 2.3.6 or later and iOS 3 or later for iPhone models. Samsung Smart Washer/Dryer App available in App Store and Play Store.

³Designed to fit a 40" installation depth.

⁴ADA Compliant when using 27" wide riser (WE272NV, WE272NW, WE272NC).

WF45T6000AP

SAMSUNG

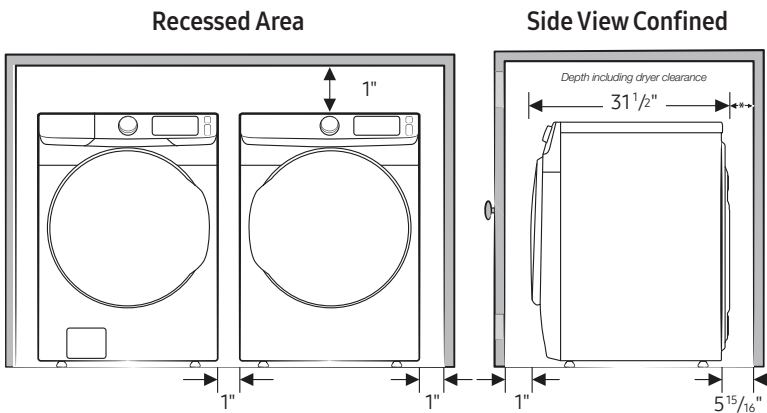
Samsung 4.5 cu. ft. Front Load Washer with Vibration Reduction Technology+

Installation Specifications

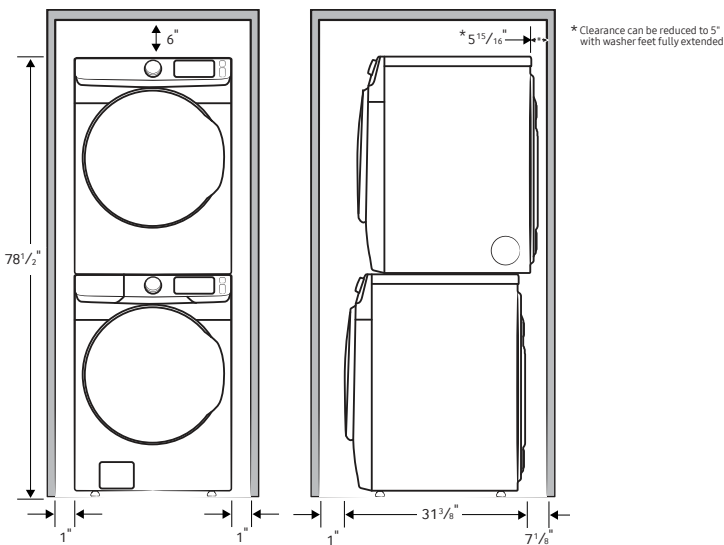
If the washer and dryer are installed together or the dryer alone, the closet front must have two unobstructed air openings for a combined minimum total area of 72-inch² (see stacked build below). Your washer alone does not require a specific air opening.

1. Alcove or closet installation

Minimum Clearance for Closet and Alcove Installations:

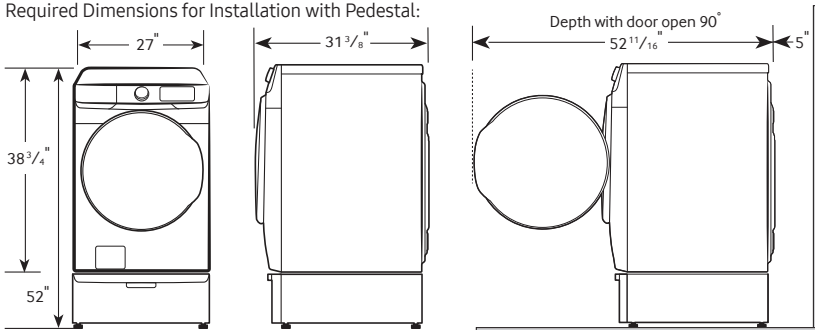


2. With stacked washer and dryer



Dimensions

Required Dimensions for Installation with Pedestal:



10 Preset Washing Cycles:

Normal, Heavy Duty, Bedding, Quick Wash, Permanent Press, Delicates, Whites, Activewear, Rinse and Spin, Self Clean+

6 Additional Washing Options:

Presoak, Delay End, Smart Care, Sound, Child Lock, Spin Only

5 Temperature Levels:

Hot, Warmer, Warm, Cool, Cold

5 Spin Speeds:

High, Medium High, Medium, Low, No Spin

5 Soil Levels:

Heavy, Medium Heavy, Normal, Medium Low, Light

Dispenser Trays:

Main Wash, Softener, Bleach

Warranty

One (1) Year Parts and Labor
 Three (3) Years Stainless Steel Drum (Part Only)
 Ten (10) Years Direct Drive Motor (Part Only)

Product Dimensions & Weight (WxHxD)

Dimensions: 27" x 38 3/4" x 31 3/8"

Weight: 200 lbs

Shipping Dimensions & Weight (WxHxD)

Dimensions: 29 3/8" x 42 3/8" x 34 1/8"

Weight: 205 lbs

Washer	Model #	UPC Code
Platinum	WF45T6000AP	887276534534
Brushed Black	WF45T6000AV	887276436548
White	WF45T6000AW	887276394794

Matching Electric Dryer

Platinum	DVE45T6000P	887276534510
Brushed Black	DVE45T6000V	887276439419
White	DVE45T6000W	887276412634

Matching Gas Dryer

Platinum	DVG45T6000P	887276534527
Brushed Black	DVG45T6000V	887276439426
White	DVG45T6000W	887276412641

Optional Accessories

Platinum Pedestal	WE402NP	887276310138
Brushed Black Pedestal	WE402NV	887276310145
White Pedestal	WE402NW	887276310152
Brushed Black Riser	WE272NV	887276197630
White Riser	WE272NW	887276197647
Stacking Kit	SKK-8K	887276344034

Actual color may vary. Design, specifications, and color availability are subject to change without notice. Non-metric weights and measurements are approximate.

©2021 Samsung Electronics America, Inc., 85 Challenger Road, Ridgefield Park, NJ 07660. Tel: 800-SAMSUNG. samsung.com. Samsung is a registered trademark of Samsung Electronics Co., Ltd.