

WF45B6300AW | WF45B6300AC | WF45B6300AP

**SAMSUNG**

**Samsung 4.5 cu. ft. Large Capacity Smart Front Load Washer with Super Speed Wash**



**Available Colors**

-  **White**  
WF45B6300AW
-  **Champagne**  
WF45B6300AC
-  **Platinum**  
WF45B6300AP

**Features**

- Super Speed Wash
- Wi-Fi Connectivity<sup>1</sup>
- Steam
- ENERGY STAR<sup>®</sup> Most Efficient
- Large 4.5 cu. ft. Capacity
- Antimicrobial Technology
- Scratch-Resistant Tempered Glass Door
- Closet-Depth Fit<sup>2</sup>
- Vibration Reduction Technology+
- Swirl+ Drum Interior
- Self Clean+
- ADA Compliant<sup>3</sup>
- Accessibility (AUI, Braille)
- Stackable
- Internal Water Heater
- 1200 RPM Maximum Spin Speed
- Direct Drive Motor
- 23 Total Washing Cycles
- 9 Additional Washing Options

**Specifications**

**23 Total Washing Cycles:**  
Normal, Heavy Duty, Bedding, Quick Wash, Delicates, Towels, Rinse + Spin, Self Clean+, Steam Sanitize, Steam Normal, Steam Whites, Downloads, Permanent Press, Activewear, Wool, Eco Cold, Colors, Outdoor, Denim, Steam Allergen, Power Steam, Steam Bulky, Power Rinse

**9 Additional Washing Options:**  
Pre Soak, Steam, Delay End, Smart Control, Super Speed, Smart Care, Sound, Child Lock, Spin Only

**5 Temperature Settings:**  
Hot, Warmer, Warm, Cool, Cold

**5 Spin Settings:**  
High, Medium, Low, Extra Low, No Spin

**5 Soil Settings:**  
Heavy, Heavy Medium, Normal, Medium Low, Light

**Warranty**  
**One (1) Year** Parts and Labor  
**Three (3) Years** Stainless Tub Part (Part Only)

Washing DIT (Digital Inverter Motor) Motor Part (Part Only):

**Ten (10) Years**  
**Twenty (20) Years** Limited to "U.S.-Assembled" Washers Only

**Product Dimensions & Weight (WxHxD)**  
Dimensions: 27" x 38<sup>3</sup>/<sub>4</sub>" x 31<sup>3</sup>/<sub>8</sub>"  
Weight: 200.6 lbs

**Shipping Dimensions & Weight (WxHxD)**  
Dimensions: 29<sup>3</sup>/<sub>8</sub>" x 42<sup>3</sup>/<sub>8</sub>" x 34<sup>1</sup>/<sub>8</sub>"  
Weight: 205 lbs

**Convenience**

- Child Lock
- Dispenser Trays: Main Wash, Softener, Bleach

**Ratings**



CEE Tier 3  
IMEF = 3.1  
IWF = 2.9  
92 kWh/yr

**Electrical Requirements**

120 V / 60 Hz  
15 Amps

Washer	Model #	UPC Code
White	WF45B6300AW	887276627434
Champagne	WF45B6300AC	887276627403
Platinum	WF45B6300AP	887276627410

**Matching Electric Dryer**

White	DVE45B6300W	887276628035
Champagne	DVE45B6300C	887276628004
Platinum	DVE45B6300P	887276628011

**Matching Gas Dryer**

White	DVG45B6300W	887276628073
Champagne	DVG45B6300C	887276628042
Platinum	DVG45B6300P	887276628059

Optional Accessories	Model #	UPC Code
White Pedestal	WE402NW	887276310152
Champagne Pedestal	WE402NC	887276310121
Platinum Pedestal	WE402NP	887276310138
White Riser	WE272NW	887276197647
Champagne Riser	WE272NC	887276393940
Stacking Kit	SKK-8K	887276344034

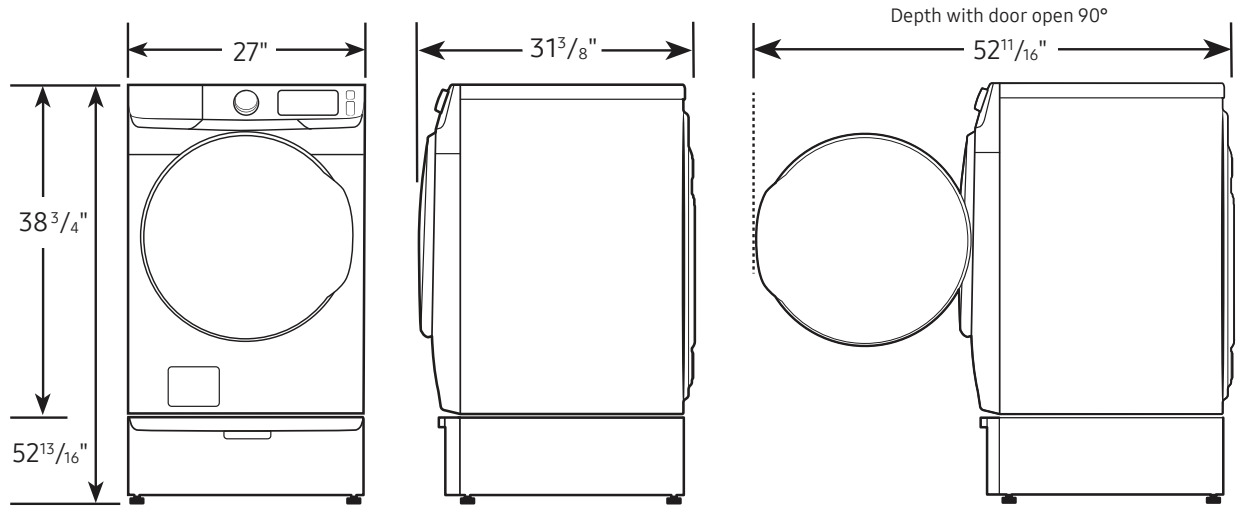
<sup>1</sup>Requires wireless network, Samsung account and Samsung SmartThings App. The Samsung Smart Things App supports Android OS 4.0 (ICS) or later, which is optimized for Samsung smartphones (Galaxy S and Galaxy Note series). This app also supports iOS 7 or later for iPhone models. Samsung SmartThings App available in App Store and Play Store.

<sup>2</sup>Designed to fit a 39" installation depth.

<sup>3</sup>ADA Compliant when using 27" wide riser. (Riser model codes: WE272NW, WE272NC)

**Samsung 4.5 cu. ft. Large Capacity Smart Front Load Washer with Super Speed Wash**

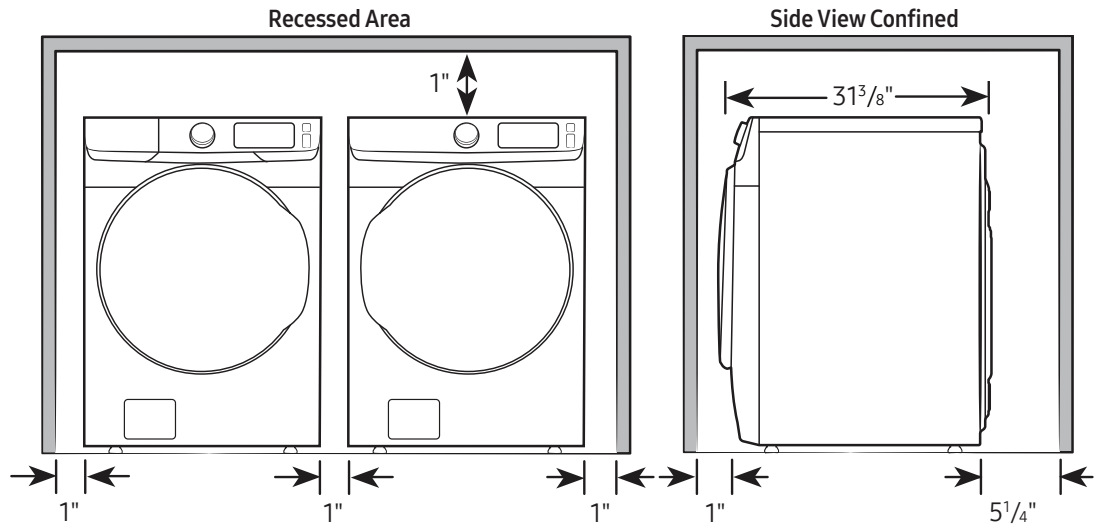
Required dimensions for installation with pedestal:



**Installation Specifications – Side-by-Side**

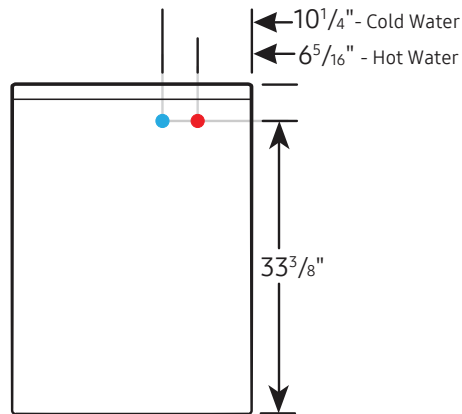
If the washer and dryer are installed together or the dryer alone, the closet front must have two unobstructed air openings for a combined minimum total area of 72-inch<sup>2</sup>. Your washer alone does not require a specific air opening.

Alcove or closet installation  
Minimum clearance for closet and alcove installations:



**Connection Dimensions**

Back view of washer



**LEGEND:**

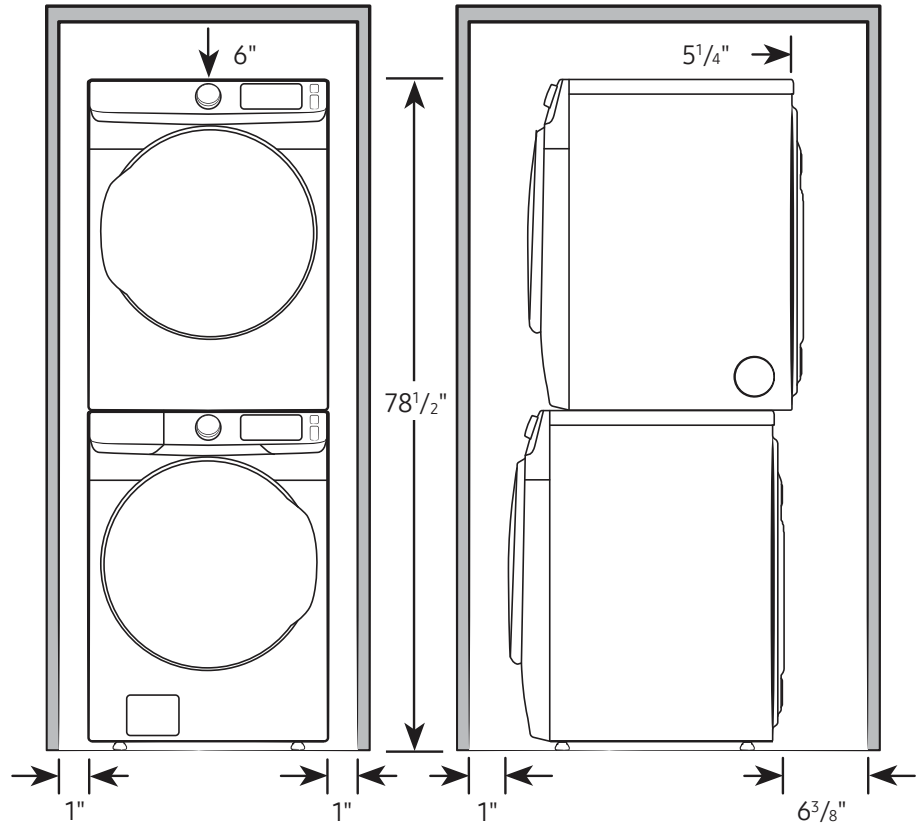
- Cold Water Connection
- Hot Water Connection

Actual color may vary. Design, specifications, and color availability are subject to change without notice. Non-metric weights and measurements are approximate.

Samsung 4.5 cu. ft. Large Capacity Smart Front Load Washer  
with Super Speed Wash

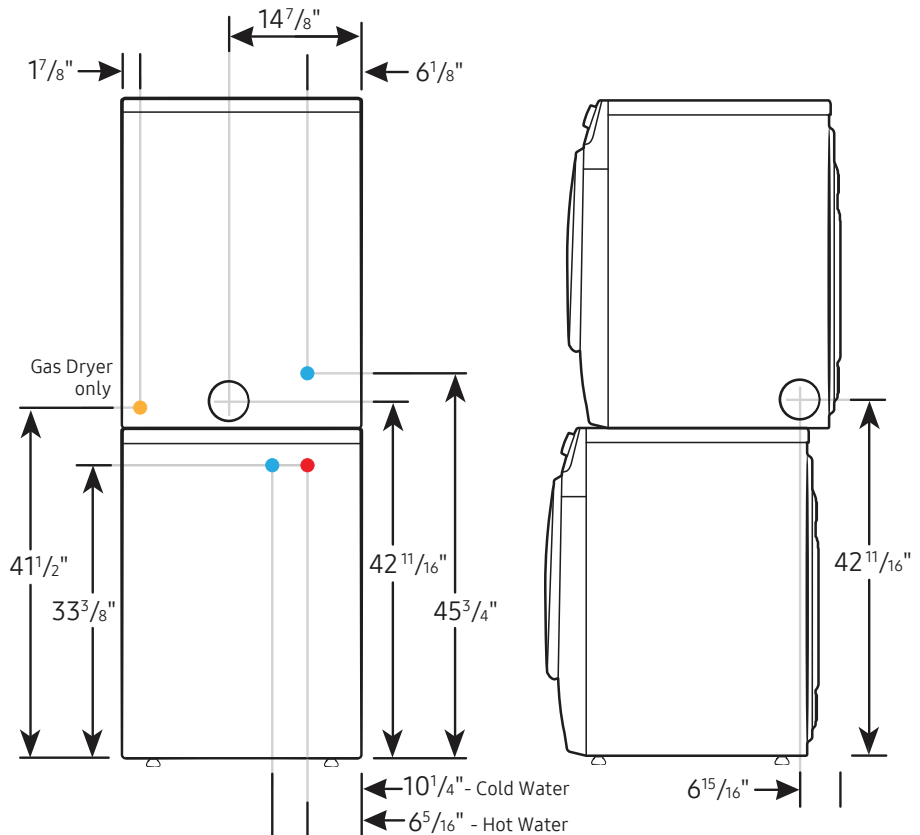
**Installation Specifications – Stacked Pair**

Clearances indicated are for stacked pairs. The closet front must have two unobstructed air openings for a combined minimum total area of 72-inch<sup>2</sup>.



**Connection Dimensions**

Back and side views of stacked pair



- LEGEND:**
- Cold Water Connection
  - Hot Water Connection
  - Gas Connection

Actual color may vary. Design, specifications, and color availability are subject to change without notice. Non-metric weights and measurements are approximate.

©2022 Samsung Electronics America, Inc., 85 Challenger Road, Ridgefield Park, NJ 07660. Tel: 800-SAMSUNG.samsung.com. Samsung is a registered trademark of Samsung Electronics Co., Ltd.

← 10<sup>1</sup>/<sub>4</sub>" - Cold Water  
← 6<sup>5</sup>/<sub>16</sub>" - Hot Water