

WA40A3005AW

SAMSUNG

Samsung 4.0 cu. ft. Capacity Top Load Washer with ActiveWave™ Agitator and Soft-Close Lid



Features

- ActiveWave™ Agitator
- Large 4.0 cu. ft. Capacity
- Soft-Close Lid
- 8 Preset Washing Cycles
- Vibration Reduction Technology+
- Extra High Water Level
- Self Clean
- Smart Care*
- Diamond Drum Interior
- 5 Temperature Levels
- 700 RPM Maximum Spin Speed
- AC Motor
- 3 Additional Washing Options
- LED Bar Display: Red

Convenience

- Child Lock
- Dispenser: Bleach, Softener

Ratings

IMEF = 1.57
IWF = 6.5
240 kWh/yr

Electrical Requirements

120 V/60 Hz
15 Amps

*Requires Samsung Smart Washer/Dryer App. The Samsung Smart Washer/Dryer App supports Android OS 2.3.6 or later and iOS 3 or later for iPhone models. Samsung Smart Washer/Dryer App available in App Store and Play Store.

Available Color



8 Preset Washing Cycles:

Normal, Bedding/Waterproof, Heavy Duty, Delicates, Quick Wash, Self Clean, Rinse and Spin, Deep Wash

3 Additional Washing Options:

Extra Rinse, Child Lock, Spin Only

5 Temperature Levels:

Hot, Warm, Eco Warm, Cool, Cold

Dispenser:

Bleach, Softener

Warranty

One (1) Year Parts and Labor
Three (3) Years Stainless Steel Tub (Part Only)
Five (5) Years Washing Motor Part (Part Only)

Product Dimensions & Weight (WxHxD)

Dimensions: 27" x 44" x 29⁵/₁₆"
Weight: 127.9 lbs

Shipping Dimensions & Weight (WxHxD)

Dimensions: 29⁹/₁₆" x 46⁹/₁₆" x 31"
Weight: 138.9 lbs

Washer	Model #	UPC Code
White	WA40A3005AW	887276475806
Matching Electric Dryer		
White	DVE41A3000W	887276502007
Matching Gas Dryer		
White	DVG41A3000W	887276502014

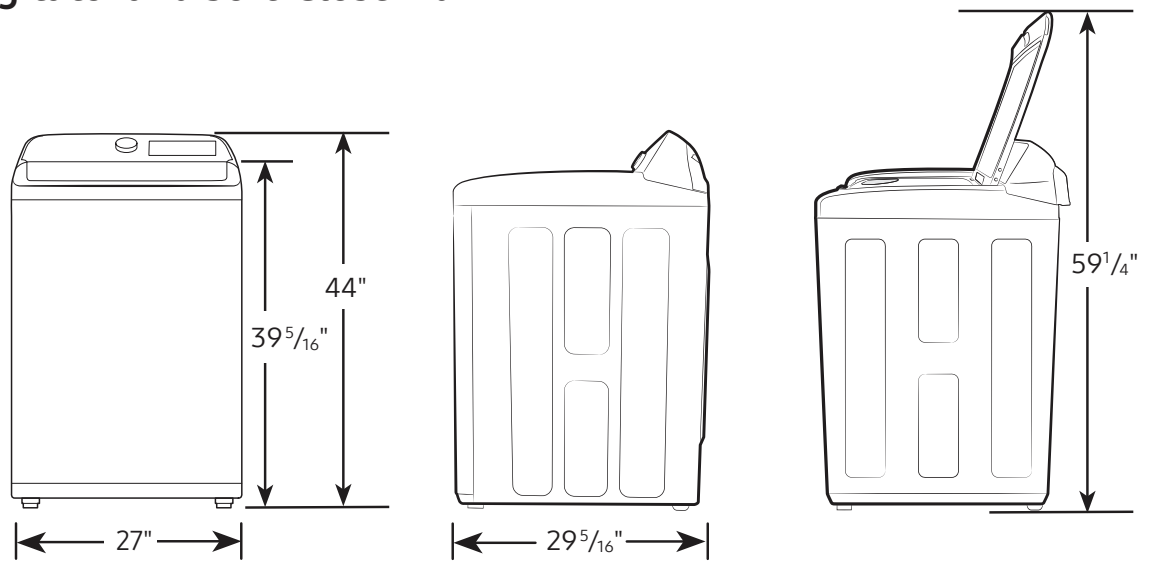
WA40A3005AW

SAMSUNG

Samsung 4.0 cu. ft. Capacity Top Load Washer with ActiveWave™ Agitator and Soft-Close Lid

Dimensions

Required dimensions for installation:

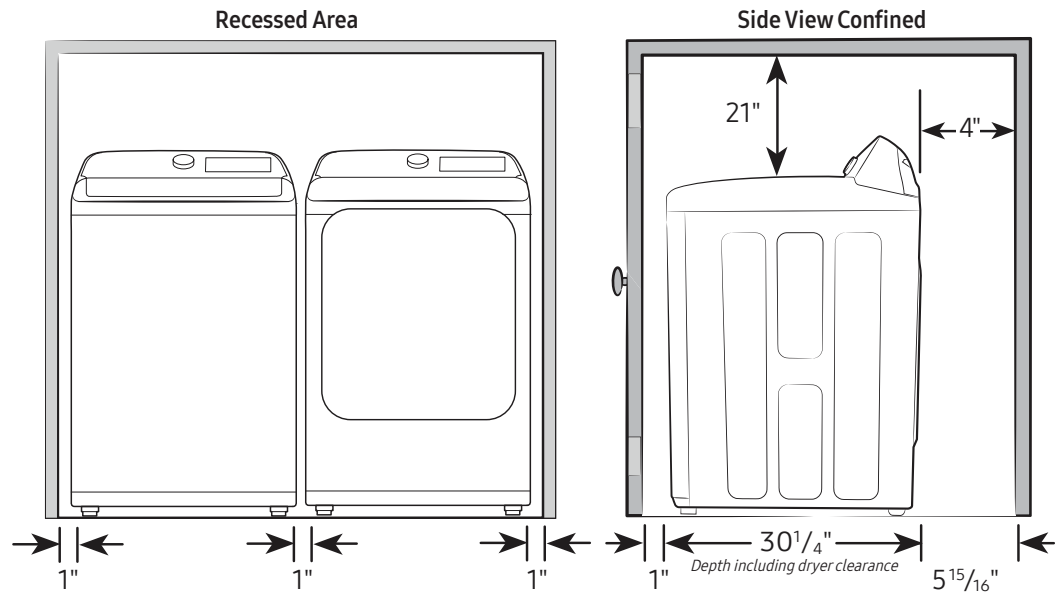


Installation Specifications – Side-by-Side or Stand-alone

If the washer and dryer are installed together or the dryer alone, the closet front must have two unobstructed air openings for a combined minimum total area of 72-inch². Your washer alone does not require a specific air opening.

Alcove or closet installation

Minimum clearance for closet and alcove installations:



Connection Dimensions

Back view of washer

LEGEND:

- Hot Water Connection
- Cold Water Connection

Actual color may vary. Design, specifications, and color availability are subject to change without notice. Non-metric weights and measurements are approximate.

©2021 Samsung Electronics America, Inc., 85 Challenger Road, Ridgefield Park, NJ 07660. Tel: 800-SAMSUNG. samsung.com. Samsung is a registered trademark of Samsung Electronics Co., Ltd.

