

RF31CG7400

SAMSUNG

Large Capacity 4-Door French Door
30 cu. ft. Refrigerator with 4 types of ice



Signature Features

Large 30 cu. ft. Capacity

Store more groceries with more room to stay organized. Large 30 cu. ft. capacity fits big bulky items and provides easy access to everything you need.

Four Ice Types

Enjoy your favorite beverage with your choice of ice. Choose cubed ice or Ice Bites™ from the Dual Ice Maker in the freezer drawer, or opt for curved or crushed ice from the external dispenser.

Modern Design

A flat-front design with low-profile door handles and recessed drawer handles fit seamlessly into your kitchen.

Available Colors



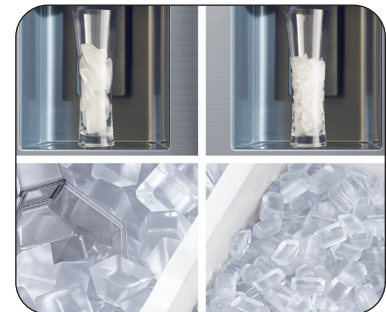
Fingerprint Resistant
Stainless Steel (shown)



Fingerprint Resistant
Matte Black Steel



Large 30 cu. ft. Capacity



Refrigerator: Curved and Crushed Ice
Freezer: Cubed and Ice Bites™

Design

- Large Capacity of 30 cu. ft.
- Middle Drawer Ice Maker
- Premium External Filtered Water and Ice Dispenser
- High-Efficiency LED Lighting
- Gallon Door Bin
- Fingerprint Resistant Finish

Technology

- Wi-Fi Enabled
- Power Cool & Power Freeze
- Door Alarm
- Water Filter Indicator

Performance

- Four Ice Types: Crushed, Curved, Cubed and Ice Bites™
- SmartThings Energy*
- Metal Cooling

*Available on Android and iOS devices. A Wi-Fi connection and a Samsung account are required.



Rating



ENERGY STAR® rated:
775 kWh/yr

RF31CG7400

SAMSUNG

Large Capacity 4-Door French Door 30 cu. ft. Refrigerator with 4 types of ice

Installation Specifications

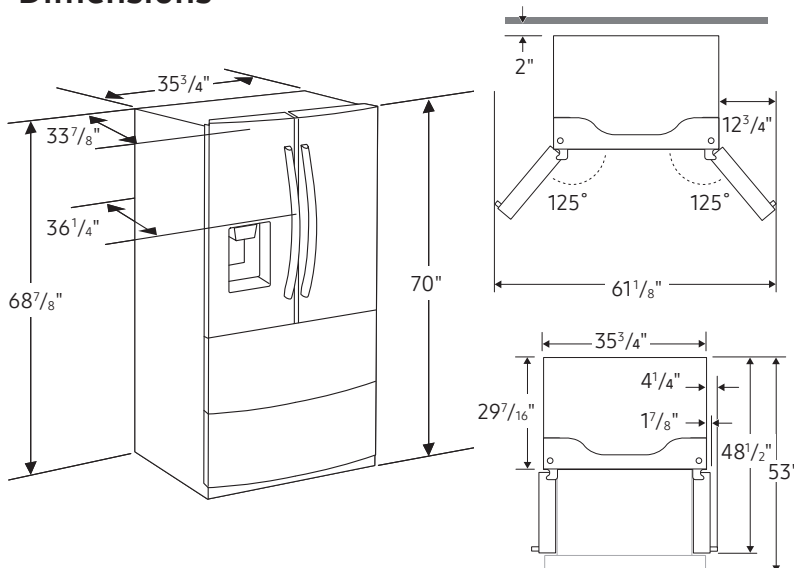
1. Measure the height, width and depth of the opening, making sure to include baseboards, molding tile, countertop overhang, etc. Check to be sure there is enough room to open the door (consider walls, islands or other obstacles when measuring).
2. Refer to illustration below to determine dimensions.
3. Allow 2.5" of clearance on hinge side of refrigerator when installing next to a wall where handle may make contact.
4. Allow 1" minimum clearance at rear for proper air circulation and water/electrical connections. Allow a 3/8" minimum clearance at sides and top for ease of installation.
5. Ensure each door and entryway in the home is wide enough for the refrigerator to be moved through easily.

For optimal usage and ability to open refrigerator doors completely, do not install next to a wall.

Please note: The following dimensions and cutout information is for planning purposes only. For complete installation details, consult manual packed with product or download manual online at samsung.com.



Dimensions



Total Capacity: 29.8 cu. ft.

Refrigerator: 21.3 cu. ft.

- External Filtered Water and Ice Dispenser (Curved Ice, Crushed Ice)
- 4 Tempered Glass Spill-Proof Shelves
- Full-Width Drawer
- 2 Clear Drawers
- 7 Door Bins
 - Right: 1 Gallon Bin, 3 Regular Bins
 - Left: 3 Regular Bins
- High-Efficiency LED Lighting

Freezer: 8.5 cu. ft.

- Dual Ice Maker in Middle Drawer (Cubed Ice, Ice Bites™)
 - 2 Removable Ice Buckets and 1 Scoop
- 1 Large Opaque Bin with 1 Divider
- High-Efficiency LED Lighting

Accessories

Water Filter: HAF-QIN

Warranty

One (1) Year Parts and Labor on Refrigerator
Five (5) Years Parts and Labor on Sealed Refrigeration System Only*
Ten (10) Years Parts and Five (5) Years Labor on Digital Inverter Compressor

*Compressor, evaporator, condenser, drier and connecting tubing.

Product Dimensions & Weight

Dimensions (WxHxD with hinges, handles and doors):
35³/₄" x 70" x 36¹/₄"

Dimensions (WxHxD without hinges and door):
35³/₄" x 68⁷/₈" x 29⁷/₁₆"

Dimensions (WxHxD with hinges and doors, no handle):
35³/₄" x 70" x 33⁷/₈"

Weight: 324 lbs

Shipping Dimensions & Weight (WxHxD)

Dimensions: 37³/₄" x 75¹/₄" x 36"

Weight: 334 lbs

Color

Model

UPC Code

Fingerprint Resistant
Stainless Steel

RF31CG7400SR 887276769288

Fingerprint Resistant
Matte Black Steel

RF31CG7400MT 887276769271