

# RF30BB6900

SAMSUNG

## Bespoke 3-Door French Door Refrigerator (30 cu. ft.) with Family Hub™



### Signature Features

#### Customizable Door Colors

Customize the design of your refrigerator with changeable door panels. Choose from a variety of colors and two finishes to create a space that fits your style.

#### Family Hub™

Samsung's Family Hub™ refrigerator helps you connect to what's most important: your family and home. Family Hub™ lets you see inside your refrigerator, manage your family's calendars, stream music, see who's at the front door and much more, all right from your fridge.

#### Beverage Center™

Quick access to refreshingly cool, filtered water two ways. Choose from an internal dispenser or a built-in pitcher that automatically refills, with the option to infuse with a flavor.

#### Extra-large Capacity

With 30 cu. ft. of capacity, this spacious refrigerator is designed for convenience, offering flexibility and organization to store and access all your favorite foods with ease.

### Bespoke 3-Door French Door Standard Color Models



Custom Panel-Ready  
with Charcoal Glass  
Family Hub™ Panel



Custom Panel-Ready  
with White Glass  
Family Hub™ Panel



White Glass Top  
and Family Hub™ Panels  
with Matte Gray Glass  
Bottom Panel

Stainless Steel

Tuscan Steel

Charcoal Glass

Matte Black  
Steel

Matte Grey  
Glass

White Glass

Navy Steel

Pink Glass

Emerald  
Green Steel

Morning Blue  
Glass

Clementine  
Glass

Sunrise Yellow  
Glass

### Design

- Customizable Door Colors
- Modern Design
- Recessed Handle

### Technology

- Family Hub™
- Beverage Center™
- Wi-Fi Enabled

### Performance

- Dual Ice Maker with Ice Bites
- 30 cu. ft. Capacity
- Twin Cooling Plus

### Rating



ENERGY STAR® rated:  
693 kWh/yr

# RF30BB6900

**SAMSUNG**

## Bespoke 3-Door French Door Refrigerator (30 cu. ft.) with Family Hub™

### Installation Specifications

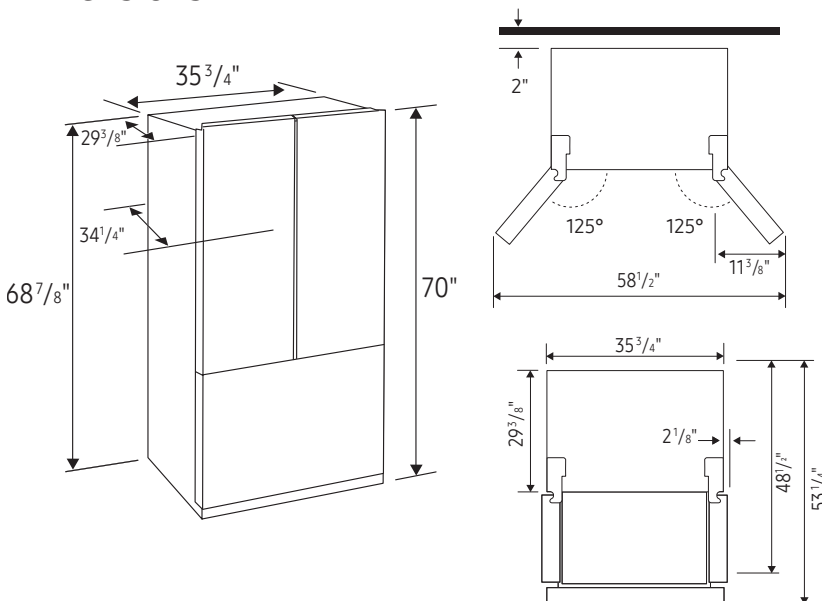
1. Measure the height, width and depth of the opening, making sure to include baseboards, molding tile, countertop overhang, etc. Check to be sure there is enough room to open the door (consider walls, islands or other obstacles when measuring).
2. Refer to illustration below to determine dimensions.
3. Allow 2.5" of clearance on hinge side of refrigerator when installing next to a wall where handle may make contact.
4. Allow 1" minimum clearance at rear for proper air circulation and water/electrical connections. Allow a 3/8" minimum clearance at sides and top for ease of installation.
5. Ensure each door and entryway in the home is wide enough for the refrigerator to be moved through easily.

For optimal usage and ability to open refrigerator doors completely, do not install next to a wall.

Please note: The following dimension and cutout information is for planning purposes only. For complete installation details, consult manual packed with product, or download manual online at [samsung.com](http://samsung.com).



### Dimensions



**Total Capacity: 29.8 cu. ft.**

**Refrigerator: 20.8 cu. ft.**

- 4 Tempered Glass Spill-Proof Shelves
- 2 Clear Drawers, Including Crisper+
- 2 Large Pantry Drawers
- 8 Door Bins
  - Right: 1 Gallon Bin, 3 Regular Bins
  - Left: 4 Regular Bins
- Surface Lighting

**Freezer: 9.0 cu. ft.**

- Dual Ice Maker in Freezer (Cubed Ice AND Ice Bites)
- Ice Bucket with Cover and 1 Scoop
- Produces up to 5.3 lbs ice/day, stores up to 9.9 lbs
- High Efficiency LED Lighting

### Accessories

Water Filter: HAF-QIN

### Warranty

Two (2) Years Parts and Labor on Refrigerator\*  
 Five (5) Years Parts and Labor on Sealed Refrigeration System Only\*\*  
 Ten (10) Years Parts and Five (5) Years Labor on Digital Inverter Compressor

\*Effective for purchases made between 10/1/22 - 9/30/23; proof of purchase required.  
 \*\*Compressor, evaporator, condenser, drier and connecting tubing.

### Product Dimensions

Dimensions (WxHxD with hinges and doors):

35 3/4" x 70" x 34 1/4"

Dimensions (WxHxD without hinges and door):

35 3/4" x 68 7/8" x 29 3/8"

### Shipping Dimensions (WxHxD)

Dimensions: 38 1/4" x 75 3/4" x 36 1/4"

Color	Model #	UPC Code	Product & Shipping Weight (lbs)	
Custom Panel-Ready with Charcoal Glass Family Hub™ Panel	RF30BB6900AC	887276624433	328.5	352.7
Custom Panel-Ready with White Glass Family Hub™ Panel	RF30BB6900AW	887276639932	328.5	352.7
White Glass Top and Family Hub™ Panels with Matte Gray Glass Bottom Panel	RF30BB69006M	887276639925	346.1	370.4