

NZ36K7570RS

36" Electric Cooktop

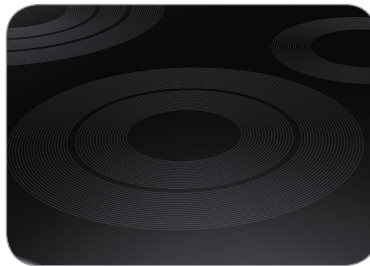
Features

- Bluetooth Connected to Hood
- Wi-Fi Connectivity
- Flexible Cooktop:
 - Triple Element (12"/9"/6")
 - Dual Element (9"/6" Rapid Boil™)
 - Two Sync Elements (7")
 - Single Melt Element (6")
- 15 Heat Settings
- Simmer Control
- Melt Mode
- 10 kW Total Power



Convenience

- Kitchen Timer
- Hot Surface Indicator Light
- Child Safety Lock
- Dishwasher Safe Magnetic Knob



Rapid Boil™



Removable Magnetic Knob

Available Colors



Stainless Steel (shown)



Black Stainless Steel

Signature Features

RAPID BOIL™

- Up to 3.3 kW power element offers intense heat and precise control to quickly boil water or maintain a low even simmer.

DIGITAL-ANALOG CONTROLS

- The ultimate interface, choose between a removable magnetic analog-knob or digital touch controls.

SYNC ELEMENTS

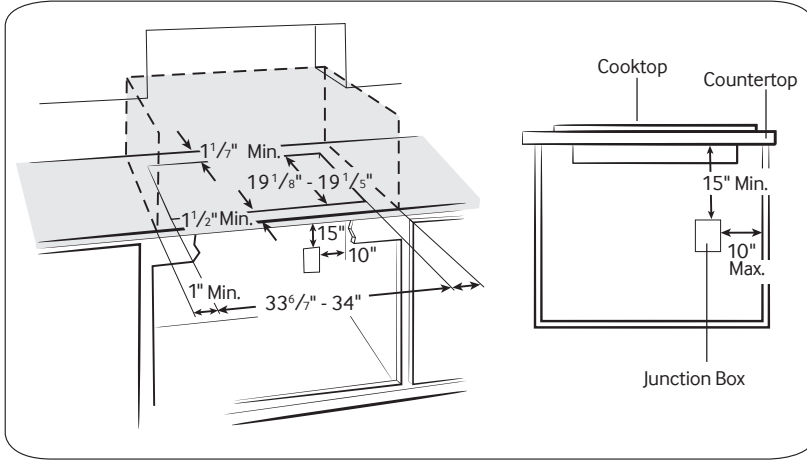
- Control two elements at the same time when using a large pot or griddle across two elements.

NZ36K7570RS

36" Electric Cooktop

Installing Your Cooktop

Can be installed over a single oven.



Total Power

10.5 kW

Power Source

240V / 60 Hz / 40A

Electric Cooktop

- Left Front: 7", 1.5 kW (Sync)
- Left Rear: 7", 1.5 kW (Sync)
- Right Front: 9"/6", 3.3 kW (Rapid Boil™)
- Right Rear: 6", 1.2 kW (Melt)
- Center: 12"/9"/6", 3 kW

Warranty

One (1) Year All Parts and Labor

Product Dimensions & Weight (WxHxD)

Outside (Max) Cooktop Dimensions:

36" x 5 $\frac{1}{10}$ " x 21 $\frac{1}{4}$ "

Cooktop Cut-Out Dimensions:

33 $\frac{6}{7}$ " x 5 $\frac{1}{10}$ " x 19 $\frac{1}{8}$ "

Weight: 41.2 lbs.

Shipping Dimensions & Weight (WxHxD)

Dimensions:

40 $\frac{3}{16}$ " x 9 $\frac{1}{16}$ " x 25 $\frac{1}{16}$ "

Weight: 51.8 lbs.

Color

Stainless Steel

Black Stainless Steel

Model

NZ36K7570RS

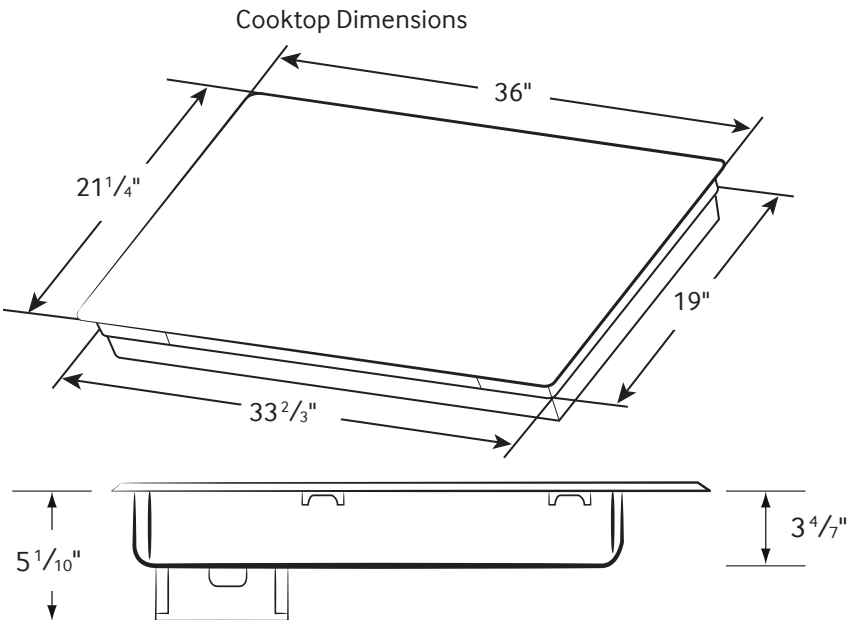
NZ36K7570RG

UPC Code

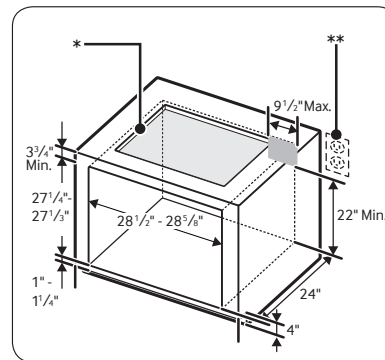
887276183541

887276183275

Dimensions



Cut-Out Dimensions of Countertop



* See built-in oven installation for complete installation instructions. See label on top of approved built-in oven models.

** Refer to installation manual of oven.

SAMSUNG

Actual color may vary. Design, specifications, and color availability are subject to change without notice. Non-metric weights and measurements are approximate.

©2017 Samsung Electronics America, Inc. 85 Challenger Road, Ridgefield Park, NJ 07660. Tel: 800-SAMSUNG. samsung.com. Samsung is a registered trademark of Samsung Electronics Co., Ltd.