

# NX60A611SS

SAMSUNG

## Samsung Smart Freestanding Gas Range with Integrated Griddle

6.0 cu. ft. Capacity



### Signature Features

#### Large Oven Capacity

- This large 6.0 cu. ft. oven can fit multiple dishes at one time.

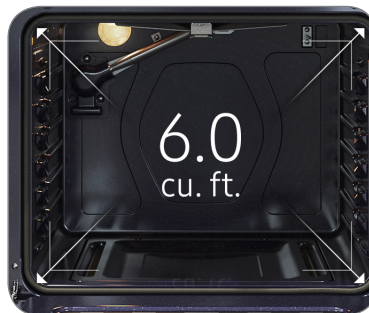
#### 17K BTU Power Burner

- Boil fast with a powerful burner.

#### Flexible Cooktop

- This 5-burner cooktop includes 2 power burners and cast iron edge-to-edge grates so you can slide pots and pans across more usable cooktop space. Use the simmer burner to cook your favorite sauces.

### Available Colors



Large Capacity Oven



17K BTU Power Burner

### Features

- Large Oven Capacity – 6.0 cu. ft.
- Integrated, Cast-Iron Griddle
- Extra Oven Settings - Bread Proof, Favorite Cook, Keep Warm
- Edge-to-Edge Grates
- Storage Drawer
- Flexible Cooktop:
  - Five Burner Cooktop
  - Right Front: 17K BTU
  - Left Front: 12K BTU
  - Right Rear: 5K BTU
  - Left Rear: 9.5K BTU
  - Center (Oval): 10K BTU

### Convenience

- Wi-Fi Connectivity
- Voice-Enabled
- SmartThings Cooking
- Sabbath Mode
- Child Safety Lock
- Delay Start
- Auto Oven Light
- Kitchen Timer



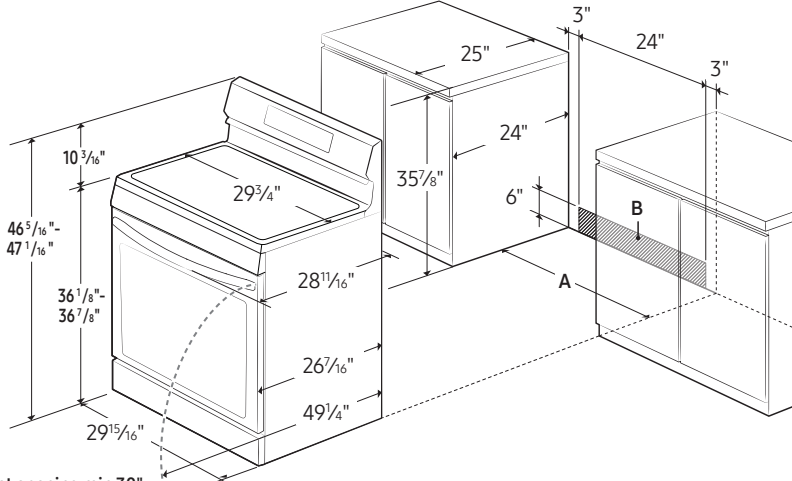
# NX60A611SS

**SAMSUNG**

## Samsung Smart Freestanding Gas Range with Integrated Griddle

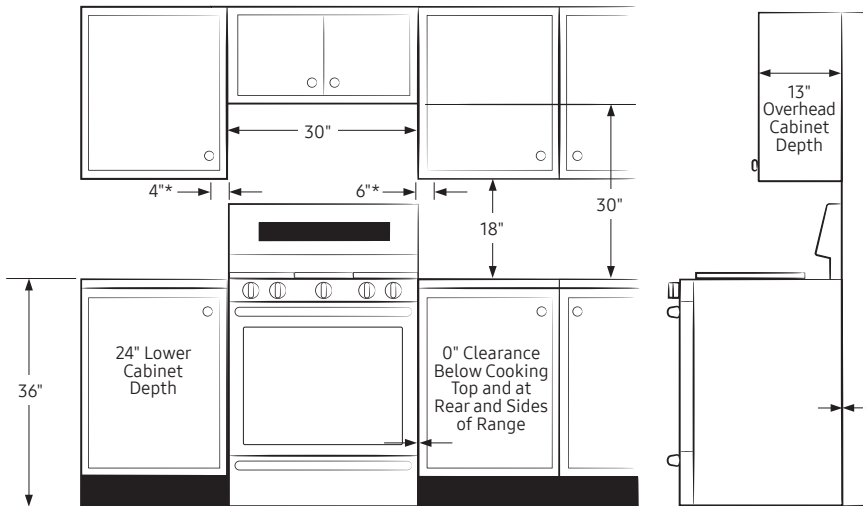
6.0 cu. ft. Capacity

### Installing Your Range



A: Cabinet opening min 30"  
B: Acceptable electrical outlet area

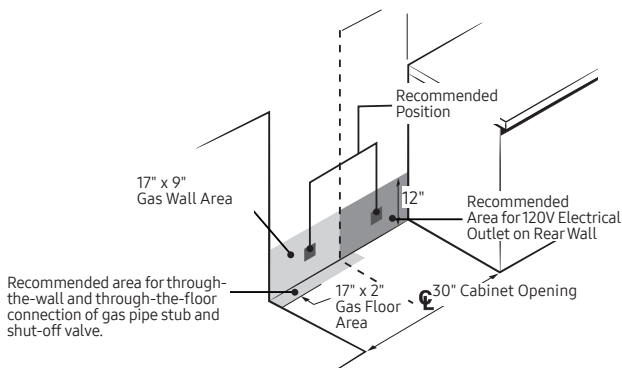
**IMPORTANT:** If your cabinets are over 36<sup>3/4</sup>" high, you must install this range on a hard, heat-resistant support that raises the surface of the range so that it is about even with the countertop.



\* Side clearance above cooking surface to any objects, i.e., wall.

**IMPORTANT:** Consult with Installation Manual for detailed instructions before installing.  
All ranges must be installed with the Anti-Tip device that is included.

### Recommended Locations for Gas Piping and Electrical Outlets



Actual color may vary. Design, specifications, and color availability are subject to change without notice. Non-metric weights and measurements are approximate.

©2021 Samsung Electronics America, Inc. 85 Challenger Road, Ridgefield Park, NJ 07660. Tel: 800-SAMSUNG. samsung.com. Samsung is a registered trademark of Samsung Electronics Co. Ltd.

### Power Source

120V/60 Hz/20A

### Total Power (BTU)

53,500 BTU

### 5-Burner Cooktop

- Right Front: 17K BTU
- Left Front: 12K BTU
- Right Rear: 5K BTU
- Left Rear: 9.5K BTU
- Center (Oval): 10K BTU

### Oven

- Capacity: 6.0 cu. ft.
- Bake
- Variable Broil: Low/High
- Bread Proof

### Warranty

One (1) Year Parts and Labor

### Product Dimensions & Weight (WxHxD)

Oven Interior Dimensions:

24<sup>13/16</sup>" x 21<sup>5/8</sup>" x 19<sup>5/8</sup>"

Outside Net Dimensions:

29<sup>15/16</sup>" x 46<sup>5/16</sup>"-47<sup>1/16</sup>" (Adjustable) x 28<sup>11/16</sup>"

Weight: 169 lbs

### Shipping Dimensions & Weight (WxHxD)

Dimensions:

33<sup>1/16</sup>" x 50<sup>9/16</sup>" x 30<sup>5/16</sup>"

Weight: 193 lbs

### Color

- Stainless Steel
- Black
- White

### Model #

- NX60A6111SS
- NX60A6111SB
- NX60A6111SW

### UPC Code

- 887276509525
- 887276509518
- 887276509532

