

# NX58R431SS

## 5.8 cu. ft. Freestanding Gas Range



### Signature Features

#### Powerful, Flexible Cooktop

- Flexible cooktop cooks more, faster with 5 specialized burners and a 17K BTU Power Burner and one 5K Simmer Burner

#### 5.8 cu. ft. Large Capacity

- Cook multiple dishes at once or accommodate larger items for the holidays

#### Wide View Window

- Check cooking progress without opening the door and losing heat

### Available Colors



Stainless Steel (shown)



Fingerprint Resistant  
Black Stainless Steel



Powerful, Flexible Cooktop



5.8 cu. ft. Large Capacity

### Features

- Large Capacity – 5.8 cu. ft.
- 5 Gas Burners
  - Right Front: 17K BTU
  - Left Front: 12K BTU
  - Right Rear: 5K BTU
  - Left Rear: 9.5K BTU
  - Center: 9.5K BTU (Oval)
- 5K Simmer Burner
- Wide View Window
- Cast Iron 3-Piece Grates
- Storage Drawer
- Flat Handle

### Convenience

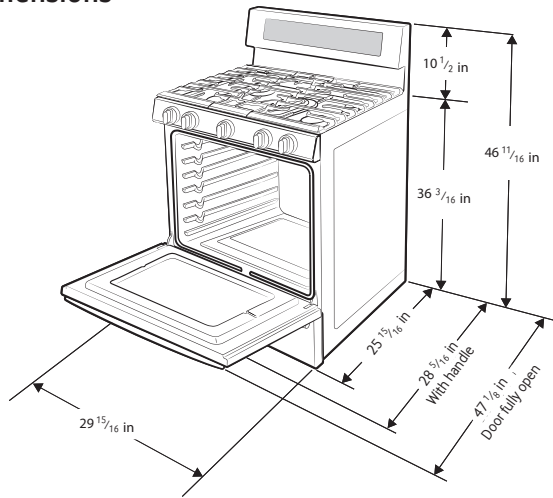
- Self Clean
- 2 Chrome Racks
- Auto Oven Light
- Sabbath Mode
- Kitchen Timer
- Delay Start
- Auto Shut-Off Option
- Child Safety Lock

# NX58R4311SS

**SAMSUNG**

## 5.8 cu. ft. Freestanding Gas Range

### Product Dimensions



**Total Power**  
53K BTU

**Power Source**  
120V/60Hz/20A

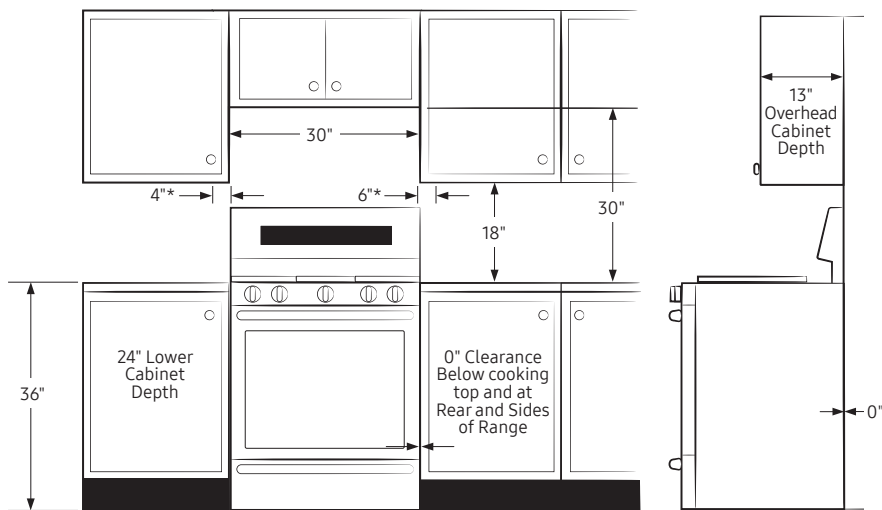
### Black Enamel 5-Burner Cooktop

- Right Front: 17K BTU
- Left Front: 12K BTU
- Right Rear: 5K BTU
- Left Rear: 9.5K BTU
- Center (Oval): 9.5K BTU

### Oven: 5.8 cu. ft. Capacity

- Bake: 175°F–550°F
- Bake Burner: 18K BTU
- Broil Burner: 13.5K BTU
- Variable Broil: Low/Hi (375°F–480°F)
- Sabbath Mode

### Installing Your Range



\* Side clearance above cooking surface to any objects, i.e., wall

**IMPORTANT:** Consult with Installation Manual for detailed instructions before installing. All ranges must be installed with the Anti-Tip device that is included.

### Storage Drawer

Capacity: 0.7 cu. ft.

### Warranty

One (1) Year All Parts and Labor

### Product Dimensions & Weight (WxHxD)

Actual Oven Dimensions: 25" x 19" x 21<sup>1</sup>/<sub>8</sub>"  
Outside Net Dimensions: 29<sup>15</sup>/<sub>16</sub>" x 46<sup>11</sup>/<sub>16</sub>" x 28<sup>5</sup>/<sub>16</sub>"  
Weight: 183 lbs

### Shipping Dimensions & Weight (WxHxD)

Dimensions: 33<sup>1</sup>/<sub>16</sub>" x 50<sup>5</sup>/<sub>8</sub>" x 30<sup>5</sup>/<sub>16</sub>"  
Weight: 210 lbs

### Color

Stainless Steel

### Model #

NX58R4311SS

### UPC Code

887276307893

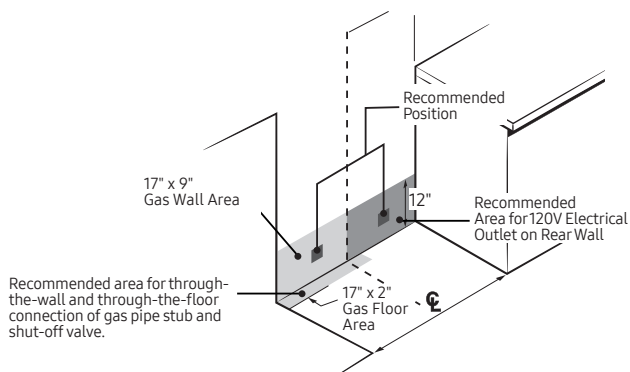
Fingerprint Resistant

NX58R4311SG

887276311753

Black Stainless Steel

### Recommended Locations for Gas Piping and Electrical Outlets



Actual color may vary. Design, specifications, and color availability are subject to change without notice. Non-metric weights and measurements are approximate.

©2019 Samsung Electronics America, Inc., 85 Challenger Road, Ridgefield Park, NJ 07660. Tel: 800-SAMSUNG. samsung.com. Samsung is a registered trademark of Samsung Electronics Co., Ltd.