

NE63T8711SS

SAMSUNG

Samsung 6.3 cu. ft. Smart Slide-in Electric Range with Smart Dial & Air Fry



Signature Features

Smart Dial

- The Smart Dial simplifies oven settings in a single dial and intuitively learns based on your cooking preferences.

No Preheat Air Fry

- Cooking just got healthier* with No Preheat Air Fry. Using little to no oil, you can quickly prepare your favorite fried foods right in your oven. Air Fry tray included.

*As compared to deep frying.

Convection+

- Powerful convection with a heated element saves you time by cooking food fast and more evenly. Perfect for baking and roasting.

Available Colors

Standard Finishes



Fingerprint Resistant
Stainless Steel (shown)



Fingerprint Resistant
Black Stainless Steel

BESPOKE Finishes



Fingerprint Resistant
Tuscan Steel



Fingerprint Resistant
Navy Steel



White Glass



Smart Dial



No Preheat Air Fry

Features

- Smart Dial
- No Preheat Air Fry, Tray Included
- Convection+
- Illuminated Knobs
- Fingerprint Resistant Finish
- 3600 W Express Boil™
- Large Oven Capacity – 6.3 cu. ft.
- Temperature Probe
- Storage Drawer
- Ready2Fit™ Guarantee

- Flexible Cooktop:
Five Element Cooktop
 - One Triple Element (6"/9"/12")
 - One Double Element (6"/9")
 - Two Single Elements (6")
 - Warming Center

Convenience

- Wi-Fi Connectivity
- Voice-Enabled
- Convection Auto Conversion
- Self & Steam Clean
- Hidden Bake Element
- Child Safety Lock
- Delay Start
- Auto Oven Light
- Kitchen Timer
- Sabbath Mode

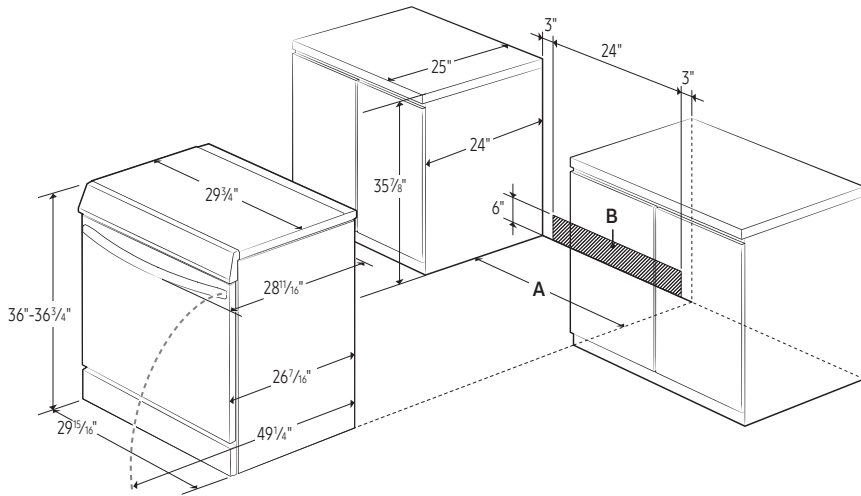


NE63T8711SS

SAMSUNG

Samsung 6.3 cu. ft. Smart Slide-in Electric Range with Smart Dial & Air Fry

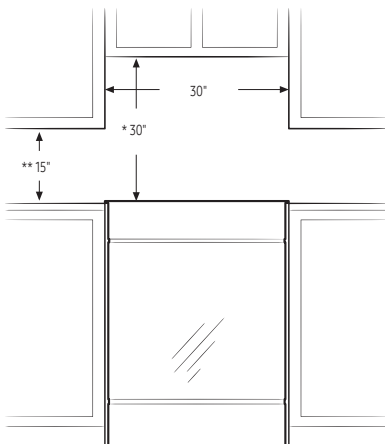
Installation Specifications



A: Cabinet opening min 30"

B: Acceptable electrical outlet area

IMPORTANT: If your cabinets are over 36 3/4" high, you must install this range on a hard, heat-resistant support that raises the surface of the range so that it is about even with the countertop.



* 30" minimum clearance between the top of the cooking surface and the bottom of an unprotected wood or metal cabinet; or 24" minimum when the bottom of the wood or metal cabinet is protected by not less than 1/4" of flame retardant millboard covered with not less than no.28 MSG sheet steel, 0.015" stainless steel, 0.024" aluminum, or 0.020" copper.

**15" minimum between the countertop and the adjacent cabinet bottom.

IMPORTANT: Consult with Installation Manual for detailed instructions before installing. All ranges must be installed with the Anti-Tip device that is included.

Power Source

240V/208V/60 Hz/40A

Electric Ceramic Cooktop

- Right Front: 6"/9"/12" Triple Element, 3000 W
- Left Front: 6"/9" Dual Element, 3600 W
- Right Rear: 6", 1200 W
- Left Rear: 6", 1200 W
- Center: 7" Warming Center

Oven

- Capacity: 6.3 cu. ft.
- Convection Element/Heater
- Convection Bake
- Convection Roast
- Bake
- Variable Broil: Low/High
- Air Fry
- Bread Proof
- Dehydrate

Warranty

One (1) Year Parts and Labor

Product Dimensions & Weight (WxHxD)

Oven Interior Dimensions:

24 13/16" x 22 7/16" x 19 3/4"

Outside Net Dimensions:

29 15/16" x 36-36 3/4" (Adjustable) x 28 11/16"

Weight: 175 lbs

Shipping Dimensions & Weight (WxHxD)

Dimensions:

33 1/16" x 41 3/4" x 30 5/16"

Weight: 201 lbs

Standard Finishes

Model #	UPC Code
Fingerprint Resistant Stainless Steel	NE63T8711SS 887276409085

Fingerprint Resistant Black Stainless Steel	NE63T8711SG 887276409078
---	--------------------------

BESPOKE Finishes

Fingerprint Resistant Tuscan Steel	NE63T8711ST 887276409092
------------------------------------	--------------------------

Fingerprint Resistant Navy Steel	NE63A8711QN 887276585918
----------------------------------	--------------------------

White Glass	NE63BB871112 887276594736
-------------	---------------------------

