

NE63A6711SS

SAMSUNG

Samsung Smart Freestanding Electric Range
with No Pre-heat Air Fry, Convection+ & Griddle
6.3 cu. ft. Capacity



Signature Features

Air Fry

- A healthier way to prepare your favorite fried foods right in your oven with little to no oil.* No preheating required. Air Fry tray included.

*As compared to deep frying.

Removable Non-Stick Griddle

- Grill your family's favorite foods with the included griddle that is perfectly sized to fit the griddle burners.

Convection+

- Powerful Convection+ saves you time by cooking food fast and more evenly.

Available Colors



Fingerprint Resistant
Stainless Steel (shown)



Fingerprint Resistant
Black Stainless Steel



Fingerprint Resistant
Tuscan Stainless Steel



Air Fry



Removable Non-Stick Griddle

Features

- Stainless Steel Design
- Air Fry, Tray Included
- Removable Non-Stick Griddle
- Convection+
- Large Oven Capacity – 6.3 cu. ft.
- Extra Oven Settings - Bread Proof, Dehydrate, Favorite Cook, Keep Warm
- Storage Drawer

- Flexible Cooktop:
Five Burner Cooktop
 - One Triple Burner (6"/9"/12")
 - Two Bridge Burners
 - One Single Burner (6")
 - Warming Center

Convenience

- Wi-Fi Connectivity
- Voice-Enabled
- SmartThings Cooking
- Convection Auto Conversion
- Self & Steam Clean
- Hidden Bake Element
- Sabbath Mode
- Child Safety Lock
- Delay Start
- Auto Oven Light
- Kitchen Timer

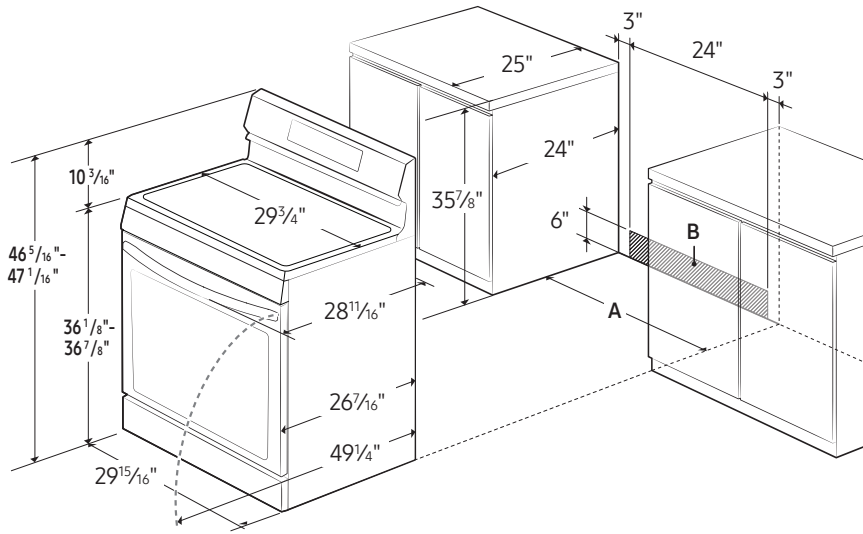


NE63A6711SS

SAMSUNG

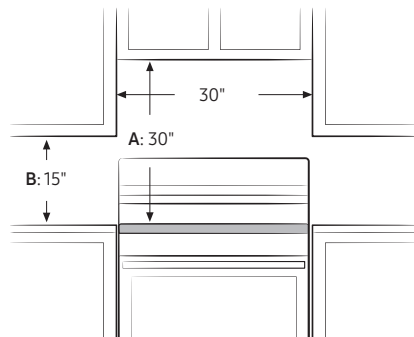
Samsung Smart Freestanding Electric Range with No Pre-heat Air Fry, Convection+ & Griddle
6.3 cu. ft. Capacity

Installation Specifications



A: Cabinet opening min 30"
B: Acceptable electrical outlet area

IMPORTANT: If your cabinets are over 36³/₄" high, you must install this range on a hard, heat-resistant support that raises the surface of the range so that it is about even with the countertop.



A: 30" minimum clearance between the top of the cooking surface and the bottom of an unprotected wood or metal cabinet; or 24" minimum when the bottom of the wood or metal cabinet is protected by not less than 1/4" of flame retardant millboard covered with not less than no.28 MSG sheet steel, 0.015" stainless steel, 0.024" aluminum, or 0.020" copper.

B: 15" minimum between the countertop and the adjacent cabinet bottom.

IMPORTANT: Consult with Installation Manual for detailed instructions before installing. All ranges must be installed with the Anti-Tip device that is included.

Power Source

240V/208V/60 Hz/40A

Electric Ceramic Cooktop

- Right Front: 6"/9"/12" Triple Ring Burner, 3000 W
- Left Front: Griddle Burner, 1800 W
- Right Rear: 6", 1200 W
- Left Rear: Griddle Burner, 1800 W
- Center: Warming Center, 100 W

Oven

- Capacity: 6.3 cu. ft.
- Convection Element/Heater
- Convection Bake
- Convection Roast
- Bake
- Variable Broil: Low/High
- Air Fry
- Bread Proof
- Dehydrate

Warranty

One (1) Year Parts and Labor

Product Dimensions & Weight (WxHxD)

Oven Interior Dimensions:

24¹³/₁₆" x 22⁷/₁₆" x 19³/₄"

Outside Net Dimensions:

29¹⁵/₁₆" x 46⁵/₁₆"-47¹/₁₆" (Adjustable) x 28¹¹/₁₆"

Weight: 164 lbs

Shipping Dimensions & Weight (WxHxD)

Dimensions:

33¹/₁₆" x 50⁹/₁₆" x 30⁵/₁₆"

Weight: 187 lbs

Color

Fingerprint Resistant
Stainless Steel

Model

NE63A6711SS

UPC Code

887276509488

Fingerprint Resistant
Black Stainless Steel

NE63A6711SG

887276509464

Fingerprint Resistant
Tuscan Stainless Steel

NE63A6711ST

887276509501

