

NE63A611SS

SAMSUNG

Samsung Smart Freestanding Electric Range with Steam Clean

6.3 cu. ft. Capacity



Signature Features

Easy to Clean

- Steam Clean quickly cleans your oven in 20 minutes, while the hidden bake element makes cleaning your oven easy with a seamless cavity interior.

Large Oven Capacity

- This large 6.3 cu. ft. oven can fit multiple dishes at one time.

Flexible Cooktop

- This 4-burner cooktop includes 2 adjustable dual ring burners.

Available Colors



Easy to Clean



Large Oven Capacity

Features

- Stainless Steel Design
- Large Oven Capacity – 6.3 cu. ft.
- Extra Oven Settings - Bread Proof, Favorite Cook, Keep Warm
- Storage Drawer

- Flexible Cooktop:
 - Four Burner Cooktop
 - Two Dual Burners (6"/9")
 - Two Single Burners (6")

Convenience

- Wi-Fi Connectivity
- Voice-Enabled
- SmartThings Cooking
- Steam Clean
- Hidden Bake Element
- Sabbath Mode
- Child Safety Lock
- Delay Start
- Auto Oven Light
- Kitchen Timer



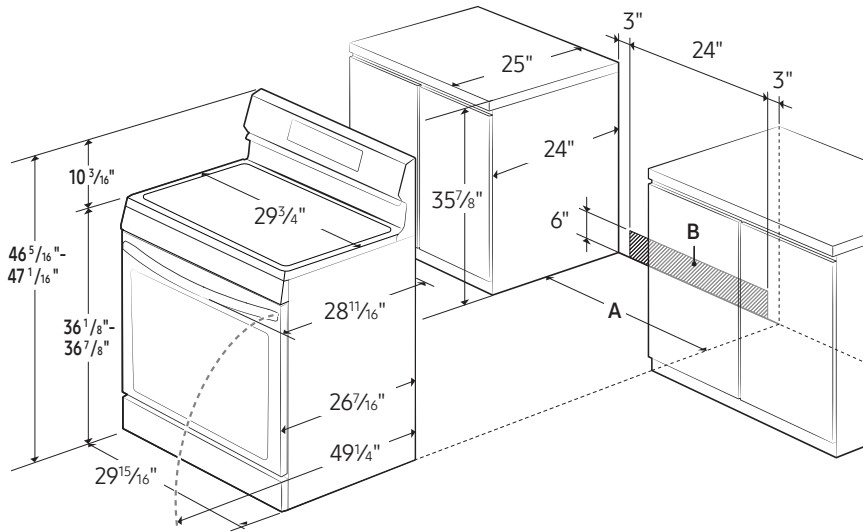
NE63A611SS

SAMSUNG

Samsung Smart Freestanding Electric Range with Steam Clean

6.3 cu. ft. Capacity

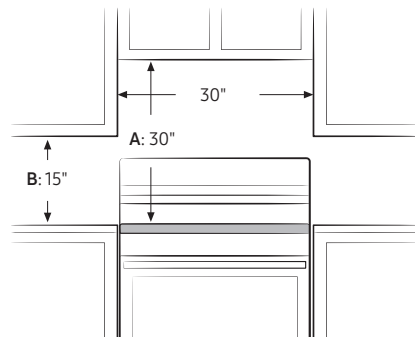
Installation Specifications



A: Cabinet opening min 30"

B: Acceptable electrical outlet area

IMPORTANT: If your cabinets are over 36³/₄" high, you must install this range on a hard, heat-resistant support that raises the surface of the range so that it is about even with the countertop.



A: 30" minimum clearance between the top of the cooking surface and the bottom of an unprotected wood or metal cabinet; or 24" minimum when the bottom of the wood or metal cabinet is protected by not less than 1/4" of flame retardant millboard covered with not less than no.28 MSG sheet steel, 0.015" stainless steel, 0.024" aluminum, or 0.020" copper.

B: 15" minimum between the countertop and the adjacent cabinet bottom.

IMPORTANT: Consult with Installation Manual for detailed instructions before installing. All ranges must be installed with the Anti-Tip device that is included.

Power Source

240V/208V/60 Hz/40A

Electric Cooktop

- Right Front: 6"/9" Dual Ring Burner, 3300 W
- Left Front: 6"/9" Dual Ring Burner, 3300 W
- Right Rear: 6" Burner, 1200 W
- Left Rear: 6" Burner, 1200 W

Oven

- Capacity: 6.3 cu. ft.
- Bake
- Variable Broil: Low/High
- Bread Proof

Warranty

One (1) Year Parts and Labor

Product Dimensions & Weight (WxHxD)

Oven Interior Dimensions:

24¹³/₁₆" x 22⁷/₁₆" x 19³/₄"

Outside Net Dimensions:

29¹⁵/₁₆" x 46⁵/₁₆"-47¹/₁₆" (Adjustable) x 28¹¹/₁₆"

Weight: 131 lbs

Shipping Dimensions & Weight (WxHxD)

Dimensions:

33¹/₁₆" x 50⁹/₁₆" x 30⁵/₁₆"

Weight: 154 lbs

Color

Stainless Steel
Black
White

Model

NE63A6111SS
NE63A6111SB
NE63A6111SW

UPC Code

887276509358
887276509341
887276509372

