

DVG45T6000P

SAMSUNG

Samsung 7.5 cu. ft. Gas Dryer with Sensor Dry



Signature Features

Sensor Dry

- Helps prevent over drying for optimal fabric care.

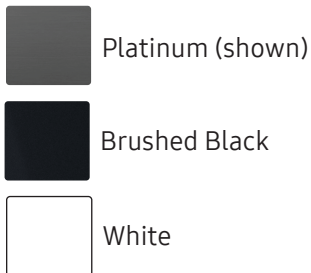
7.5 cu. ft. Large Capacity

- Fewer loads, less time in the laundry room, and more time doing the things you love.

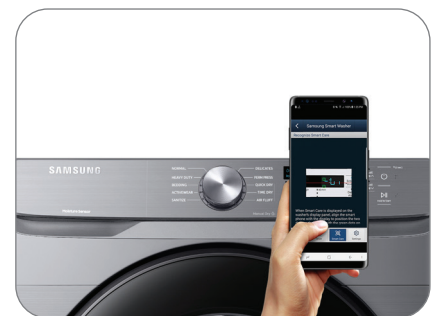
10 Preset Drying Cycles

- More cycles to cover almost every drying need for your active family.

Available Colors



Sensor Dry



Smart Care

Features

- Sensor Dry
- 7.5 cu. ft. Large Capacity
- Smart Care¹
- Interior Drum Light
- Reversible Door
- 10 Preset Drying Cycles
- 9 Additional Drying Options
- 5 Temperature Levels
- 3-Way Venting
- LED Display: Ice Blue

Convenience

- Child Lock
- Lint Filter Indicator



ADA Compliant²

Electrical Requirements

- 120 V / 60 Hz
- 15 Amps

¹Requires Samsung Smart Washer/Dryer App. The Samsung Smart Washer/Dryer App supports Android OS 2.3.6 or later and iOS 3 or later for iPhone models. Samsung Smart Washer/Dryer App available in App Store and Play Store.

²ADA Compliant when using 27" wide riser (WE272NV, WE272NW, WE272NC).

DVG45T6000P

SAMSUNG

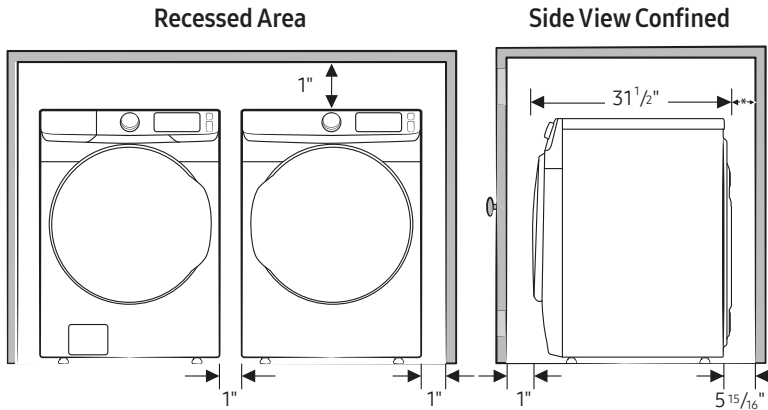
Samsung 7.5 cu. ft. Gas Dryer with Sensor Dry

Installation Specifications

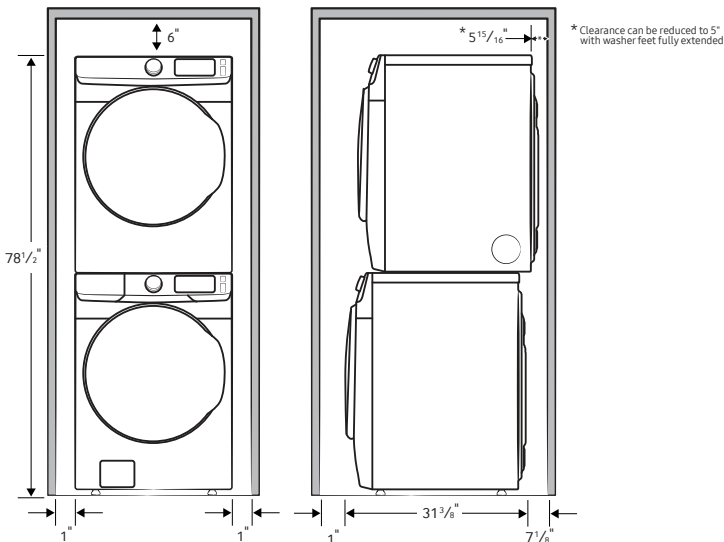
If the washer and dryer are installed together or the dryer alone, the closet front must have two unobstructed air openings for a combined minimum total area of 72-inch² (see stacked build below). Your washer alone does not require a specific air opening.

1. Alcove or closet installation

Minimum Clearance for Closet and Alcove Installations:

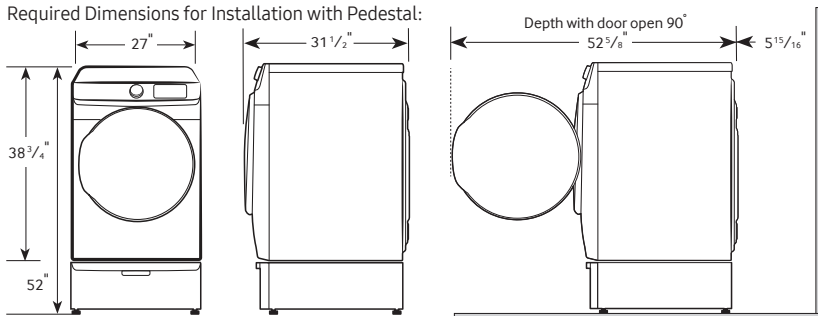


2. With stacked washer and dryer



Dimensions

Required Dimensions for Installation with Pedestal:



Actual color may vary. Design, specifications, and color availability are subject to change without notice. Non-metric weights and measurements are approximate.

©2021 Samsung Electronics America, Inc. 85 Challenger Road, Ridgefield Park, NJ 07660. Tel: 800-SAMSUNG. samsung.com. Samsung is a registered trademark of Samsung Electronics Co. Ltd.

3-Way Venting

10 Preset Drying Cycles:

Normal, Heavy Duty, Permanent Press, Activewear, Bedding, Delicates, Sanitize, Time Dry, Air Fluff, Quick Dry

9 Additional Drying Options:

Damp Alert, Wrinkle Prevent, Adjust Time (Up), Adjust Time (Down), Eco Dry, Child Lock, Smart Care, Sound, Drum Light

5 Temperature Levels:

High, Medium High, Medium, Medium Low, Low

5 Dry Levels:

Very Dry, More Dry, Normal Dry, Less Dry, Damp Dry

Warranty

One (1) Year Parts and Labor

Product Dimensions & Weight (WxHxD)

Dimensions: 27" x 38³/₄" x 31¹/₂"

Weight: 123 lbs

Shipping Dimensions & Weight (WxHxD)

Dimensions: 29³/₈" x 42⁹/₁₆" x 33¹/₂"

Weight: 130 lbs

Gas Dryer	Model #	UPC Code
Platinum	DVG45T6000P	887276534527
Brushed Black	DVG45T6000V	887276439426
White	DVG45T6000W	887276412641


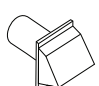
Electric Dryer	Model #	UPC Code
Platinum	DVE45T6000P	887276534510
Brushed Black	DVE45T6000V	887276439419
White	DVE45T6000W	887276412634

Matching Washer

Platinum	WF45T6000AP	887276534534
Brushed Black	WF45T6000AV	887276436548
White	WF45T6000AW	887276394794

Optional Accessories

Platinum Pedestal	WE402NP	887276310138
Brushed Black Pedestal	WE402NV	887276310145
White Pedestal	WE402NW	887276310152
Brushed Black Riser	WE272NV	887276197630
White Riser	WE272NW	887276197647
Stacking Kit	SKK-8K	887276344034
Vent Kit	DV-2A	887276146416

	Recommended	Use only for short-run installation
Weather hood type	 4"	 2.5"
Number of 90° elbows	Rigid	Rigid
0	80 ft.	74 ft.
1	68 ft.	62 ft.
2	57 ft.	51 ft.
3	47 ft.	41 ft.