



# DVE53BB8700

# SAMSUNG

## Bespoke 7.6 cu. ft. Ultra Capacity Electric Dryer with Super Speed Dry and AI Smart Dial



### Available Colors

-  **Silver Steel**  
DVE53BB8700T
-  **Brushed Black**  
DVE53BB8700V

### Features

- Bespoke Design
- Super Speed Dry
- AI Smart Dial
- MultiControl™
- Steam Sanitize+
- ENERGY STAR® Certified
- Shallow Closet-Depth Fit<sup>1</sup>
- Flexible Installation
- Wi-Fi Connectivity<sup>2</sup>
- Sensor Dry
- 7.6 cu. ft. Ultra Capacity
- Vent Sensor
- Lint Filter Indicator
- Stainless Steel Drum
- Premium Tempered Glass Door
- Internal Drum Light
- Drying Rack
- Reversible Dryer Door
- ADA Compliant<sup>3</sup>
- 19 Total Drying Cycles
- 14 Options
- 5 Temperature Settings
- 4-Way Venting

### Convenience

- Child Lock
- Filter Check Indicator

### Ratings

 ENERGY STAR® Rated:  
608 kWh/yr

### Electrical Requirements

240 V / 60 Hz  
30 Amps

### Specifications

#### 19 Preset Drying Cycles:

Steam Refresh, Wrinkle Away, Steam Sanitize+, Super Speed, Eco Normal, Normal, Heavy Duty, Towels, Permanent Press, Activewear, Bedding, Delicates, Wool, Shirts, Denim, Time Dry, Air Fluff, Small Load, Rack Dry

#### 14 Options:

Damp Alert, Wrinkle Prevent, AntiStatic, My Cycles, Smart Control, Eco Dry, Drum Light, Child Lock, Alarm, AI Pattern, Wi-Fi, Language, Vent Blockage Test, Factory Reset

#### 5 Temperature Settings:

High, Medium, Medium Low, Low, Extra Low

#### 5 Dry Levels:

Very Dry, More Dry, Normal Dry, Less Dry, Damp Dry

#### Warranty

Two (2) Years Parts and Labor\*

\*Effective for purchases made between 10/1/22 - 9/30/23; proof of purchase required.

#### Product Dimensions & Weight (WxHxD)

Dimensions: 27" x 38<sup>3</sup>/<sub>4</sub>" x 31<sup>7</sup>/<sub>16</sub>"  
Weight: 121.3 lbs

#### Shipping Dimensions & Weight (WxHxD)

Dimensions: 29<sup>3</sup>/<sub>8</sub>" x 42<sup>15</sup>/<sub>16</sub>" x 34<sup>11</sup>/<sub>16</sub>"  
Weight: 130.1 lbs

Electric Dryer	Model #	UPC Code
Silver Steel	DVE53BB8700T	887276657233
Brushed Black	DVE53BB8700V	887276657240
Gas Dryer		
Silver Steel	DVG53BB8700T	887276657295
Brushed Black	DVG53BB8700V	887276657301
Matching Washer		
Silver Steel	WF53BB8700AT	887276652238
Brushed Black	WF53BB8700AV	887276652245

Optional Accessories	Model #	UPC Code
Silver Steel Pedestal	WE502NT	887276665283
Brushed Black Pedestal	WE502NV	887276665290
Brushed Black Riser	WE272NV	887276197630
Silver Steel Bespoke Stacking and MultiControl™ Combo Kit	SKK-9MCT	887276667379
Brushed Black Bespoke Stacking and MultiControl™ Combo Kit	SKK-9MCV	887276667386
Vent Kit	DV-2A	887276146416

<sup>1</sup>Designed to fit a 38" installation depth.

<sup>2</sup>Requires wireless network, Samsung account and SmartThings App. The Samsung SmartThings App supports Android OS 4.0 (ICS) or later which is optimized for Samsung smartphones (Galaxy S and Galaxy Note series). This app also supports iOS 7 or later for iPhone models. SmartThings App available in App Store and Play Store. Only monitoring enabled on Gas Dryers for safety reasons.

<sup>3</sup>ADA Compliant when using 27" wide riser. (Riser model codes: WE272NV, WE272NW, WE272NC)

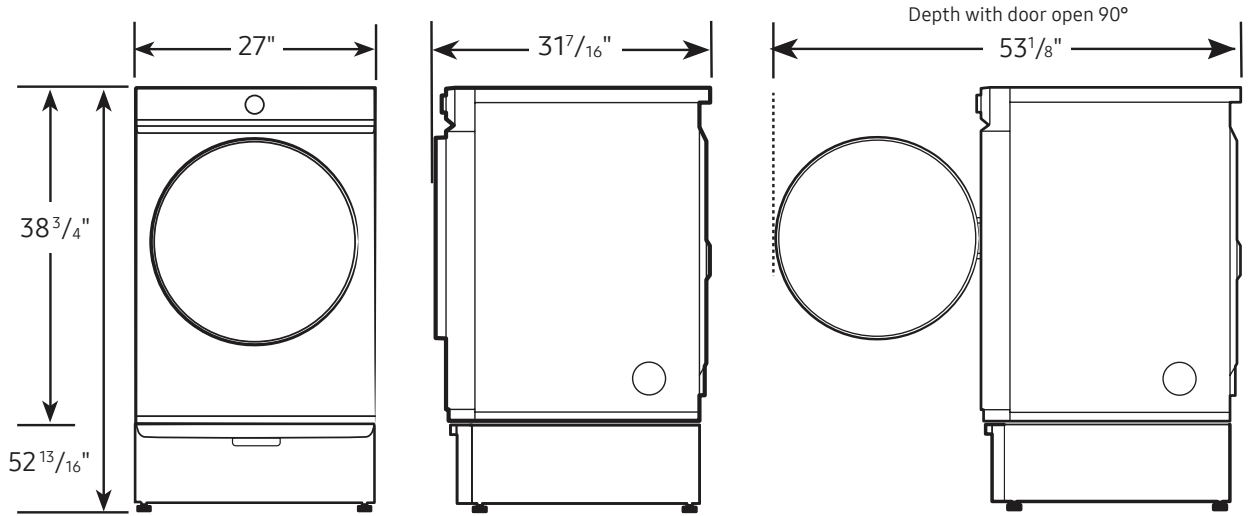
DVE53BB8700

SAMSUNG

# Bespoke 7.6 cu. ft. Ultra Capacity Electric Dryer with Super Speed Dry and AI Smart Dial

## Dimensions

Required dimensions for installation with pedestal:

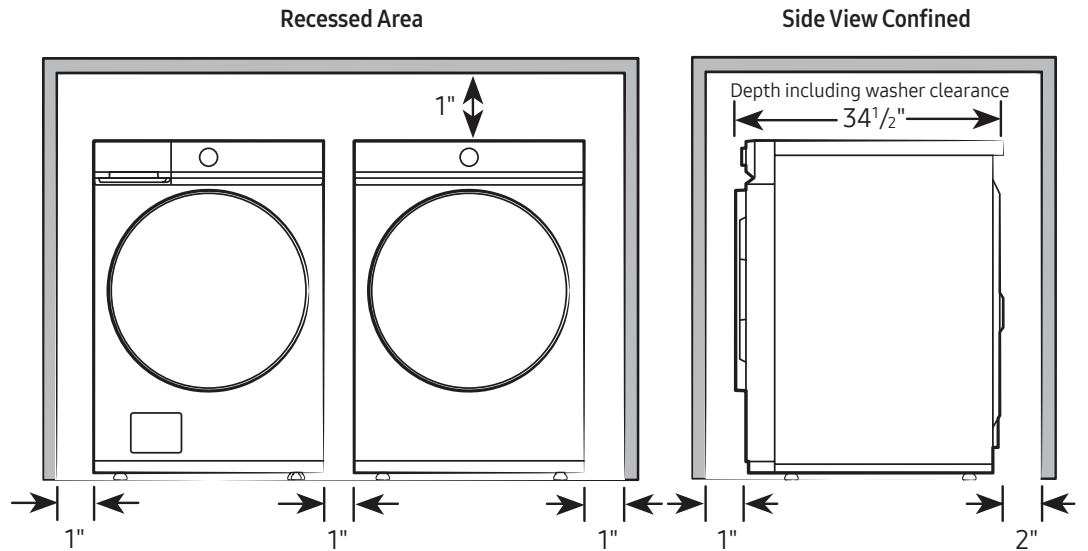


## Installation Specifications – Side-by-Side

If the washer and dryer are installed together or the dryer alone, the closet front must have two unobstructed air openings for a combined minimum total area of 72-inch<sup>2</sup>. Your washer alone does not require a specific air opening.

### Alcove or closet installation

Minimum clearance for closet and alcove installations:



## Connection Dimensions

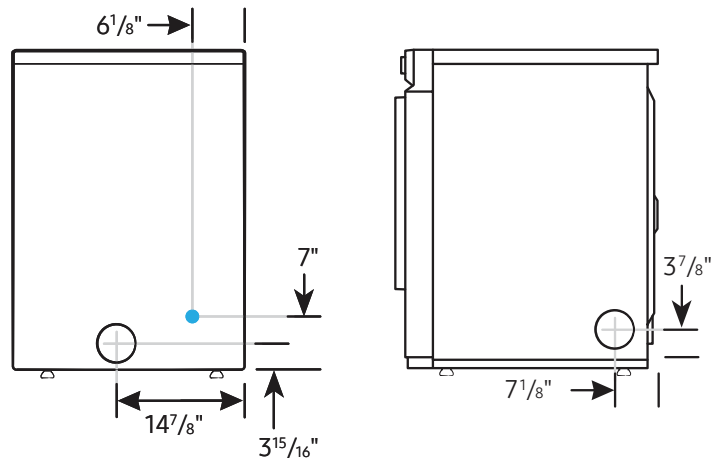
Back and side view of dryer

### LEGEND:

● Cold Water Connection

Actual color may vary. Design, specifications, and color availability are subject to change without notice. Non-metric weights and measurements are approximate.

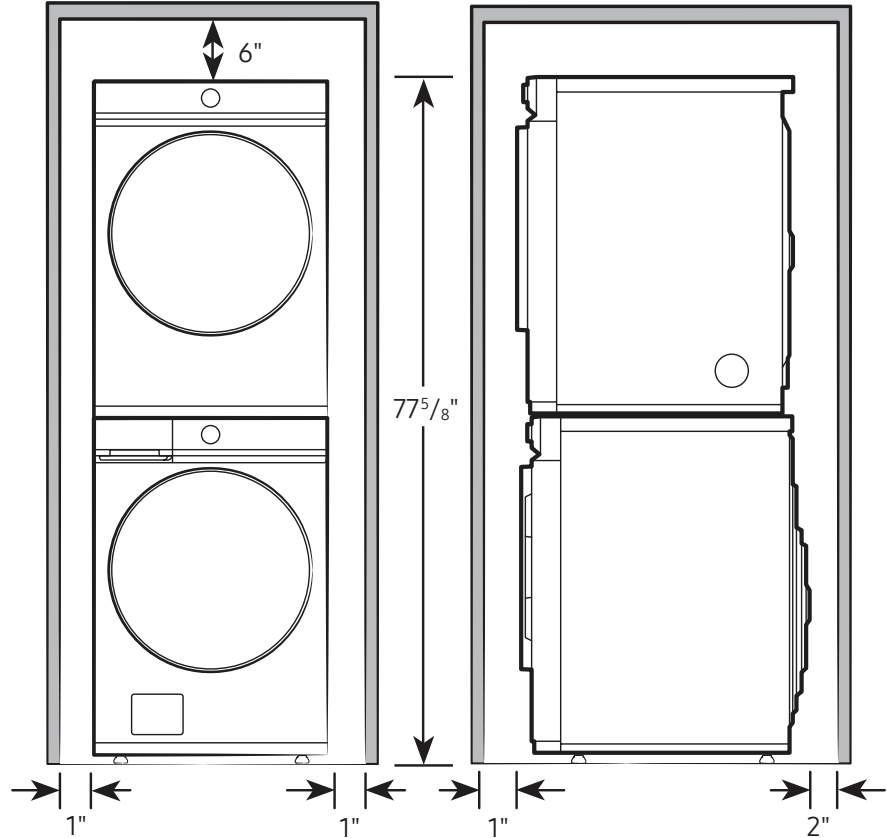
©2022 Samsung Electronics America, Inc., 85 Challenger Road, Ridgefield Park, NJ 07660. Tel: 800-SAMSUNG.samsung.com. Samsung is a registered trademark of Samsung Electronics Co., Ltd.



Bespoke 7.6 cu. ft. Ultra Capacity Electric Dryer  
with Super Speed Dry and AI Smart Dial

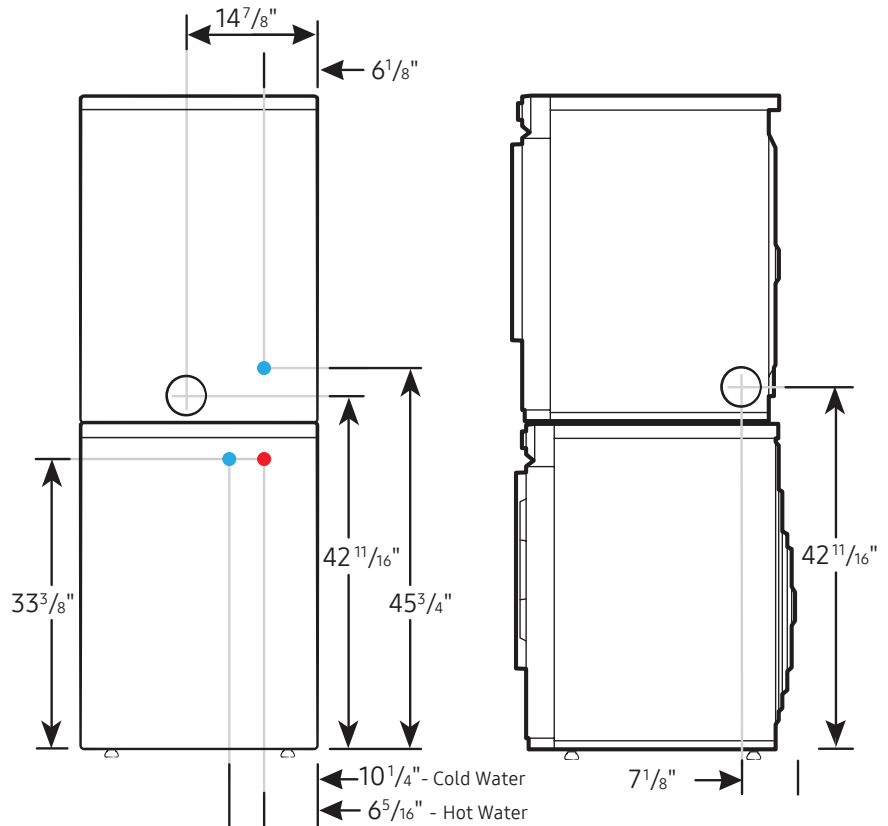
**Installation Specifications – Stacked Pair**

Clearances indicated are for stacked pairs. The closet front must have two unobstructed air openings for a combined minimum total area of 72-inch<sup>2</sup>.



**Connection Dimensions**

Back and side views of stacked pair



- LEGEND:**
- Cold Water Connection
  - Hot Water Connection

Actual color may vary. Design, specifications, and color availability are subject to change without notice. Non-metric weights and measurements are approximate.