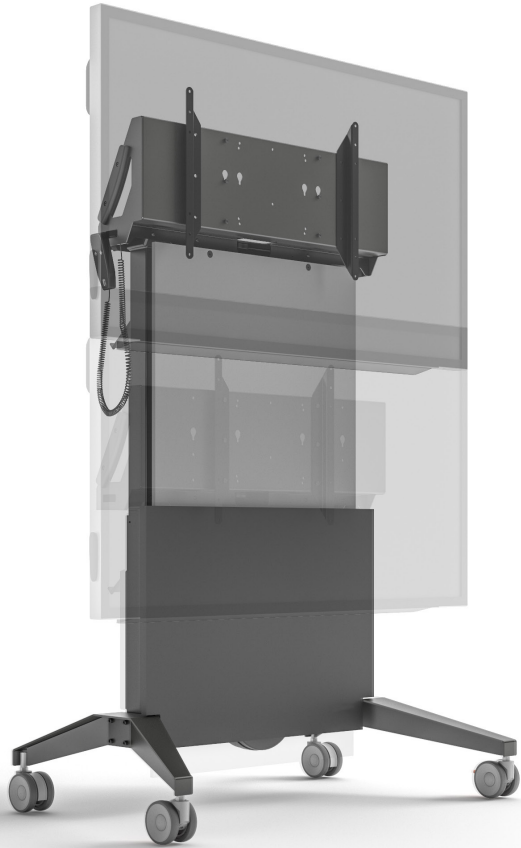




# ELECTRIC LIFT MOBILE STAND

FPS2/EL/GG



Take control of creative, presentation and collaboration work spaces. Salamander's beautiful and highly functional FPS Series Mobile Stands offer superior ergonomics complimenting any touch screen display with improved productivity, unrivaled flexibility and lifetime value.

A stylish, sleek and compact design moves easily between spaces. A thoughtful range of accessories provides even more utility and an improved user experience.

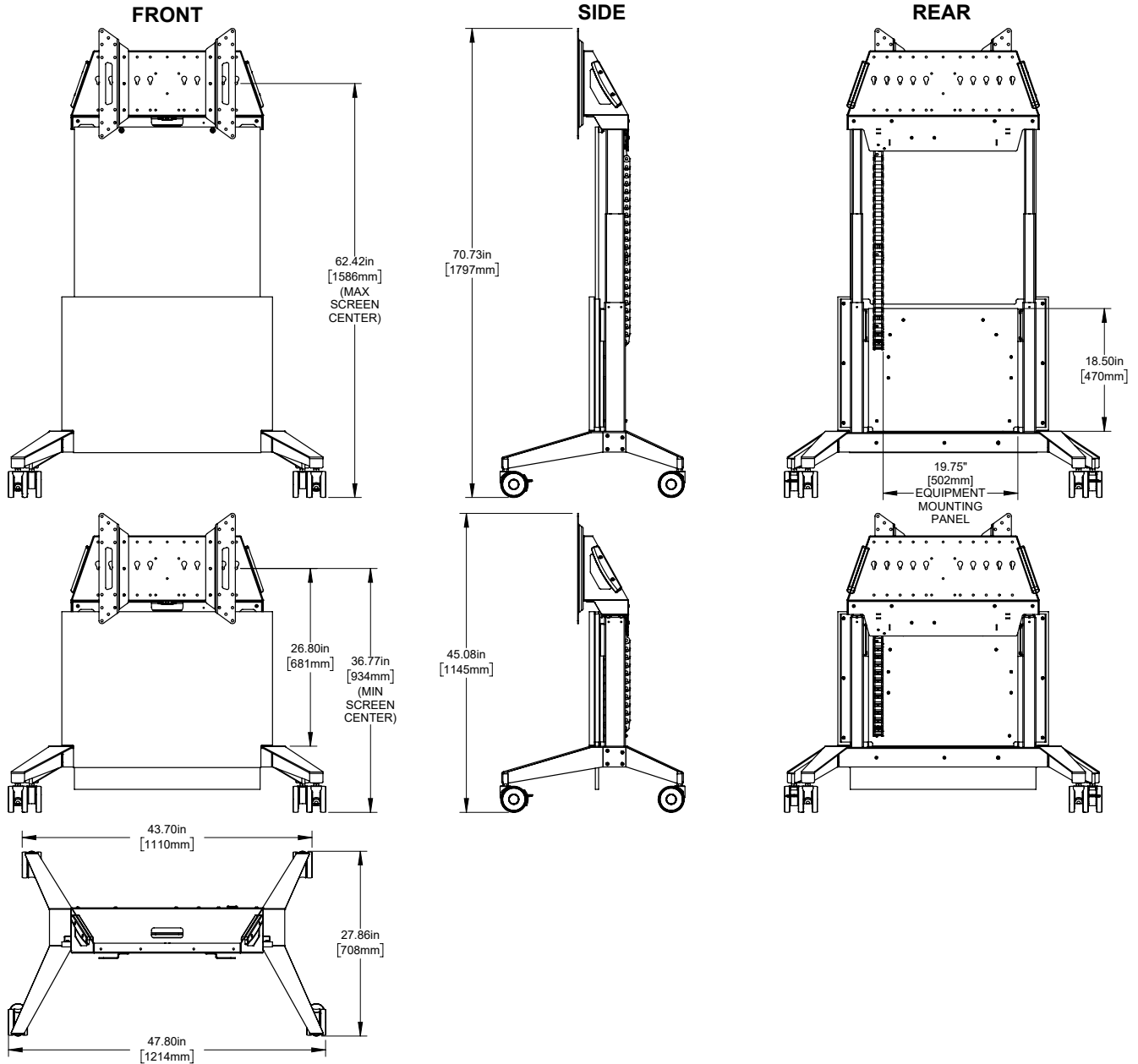
- Mobile stand for interactive display / touchscreen panel
- Motorized Electric Lift and wired remote
- ADA Compliant
- Compatible with most large displays including 70" Screens and Microsoft Surface Hub 2, see VESA pattern and weight limits.
- Cisco® Webex Board Compatible Stand Available, Model #FPS1/ELCS/GG
- Ergonomic design. Adjustable height positioning provides best possible ergonomics and viewing
- Superior mobility. High quality commercial grade locking casters and integrated handles provide easy maneuverability and transport
- Fully concealed cable management allows clean and uncluttered installation
- Range of travel, Center of screen : Min- 36.83" (935.5 mm) and Max 62.42" (1585.5 mm)
- Storage for electronic components, peripherals and accessories
- Telescopic design allows compact position for transport and storage
- Durable construction. Made in USA of powder coated steel, Linak Motor components, Powder coated and/or veneered MDF panels
- Options available for peripheral equipment mounting, retractable cable reel, secure equipment storage cover, keyboard tray and more
- Limited Lifetime Warranty





# ELECTRIC LIFT MOBILE STAND

FPS2/EL/GG





# ELECTRIC LIFT MOBILE STAND

FPS2/EL/GG

PRODUCT SPECIFICATIONS	Metric (mm)	US/Imperial Inches	SHIPPING DIMENSIONS		
	Length	1215.2	47.84	1,219 mm	48 inch
Overall Height Range	1146.6 - 1796.6	45.14 - 70.7	1,016 mm	40 inch	
Center of Screen Range of Travel	935.83 - 1585.5	36.83 - 62.42			
Depth	695.4	27.38	406 mm	16 inch	
Weight	61.23 kg	135 lbs	72.57 kg	160 lbs	
<b>Max Load Capacity</b>	<b>79.38 kg</b>	<b>175 lbs</b>			
UPC Number	634878507110				

### VESA COMPLIANT MOUNT PATTERN

Horizontal - 200, 250, 300, 350, 400, 450, 500, 600, 650, 700mm  
 Vertical - 200, 300, 350, 400mm  
 Panel Mounting - M4, M5, M6 Screws

Includes Microsoft Surface Hub 2 Mounting adapter (CA/MAC4) VESA 350mm x 350mm

Cisco® Webex Board Compatible Stand Available, Model #FPS1/ELCS/GG

### CASTER WHEELS

4" (100mm) HD, Non Marking, Brakes on 2

### ELECTRICAL INFORMATION

Input: 90V - 240V ~, 48 Hz - 63HZ  
 Duty Cycle: 10% Max 2min / 18min

### CABLE MANAGER CHAIN

1" x .75" x 34" (25 x 19 x 865mm)

### POWER CABLE

IEC - Type Class 2, 2-prong  
 USA Included: (PN 400-590)

Available:

EU (PN 400-591)

UK (PN 400-592)

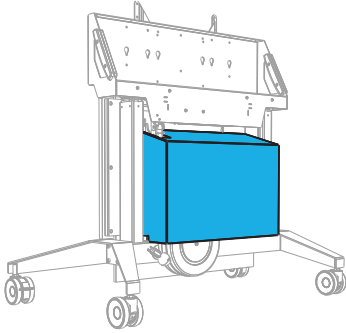
New Zealand, Australia and others (PN 400-593)



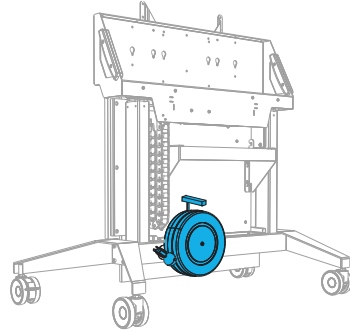


# ELECTRIC LIFT MOBILE STAND

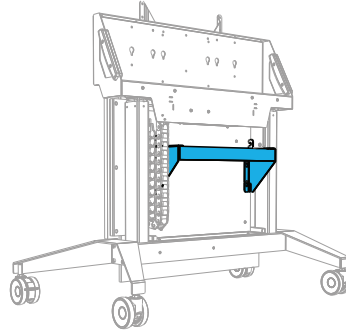
FPS2/EL/GG



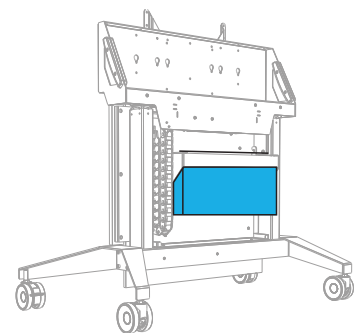
**Equipment Storage  
Cover- Graphite**  
FPSA/SC/GT



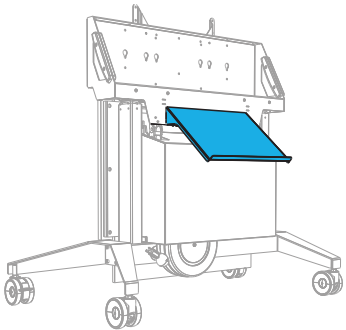
**Cable Reel 30' Payout, 24"  
Tri-Tap Female End**  
FPSA/CR



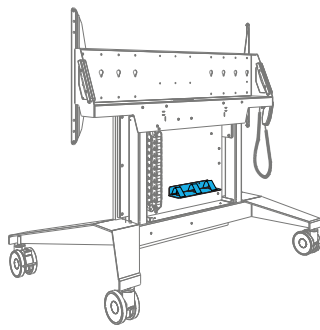
**19" Rack Mounting 3 RU**  
RM/VR/3U



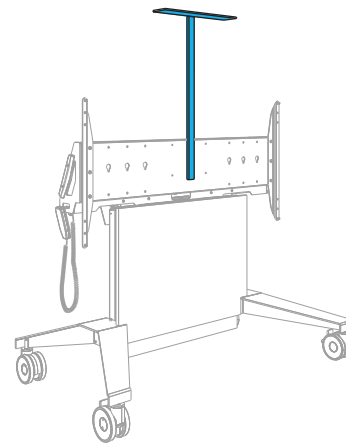
**Power Distribution Unit**  
SA/RM/PDU



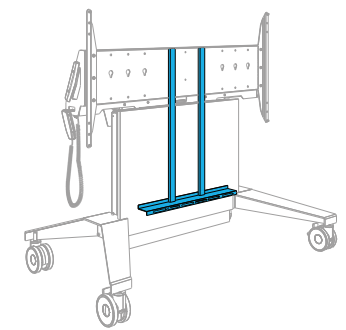
**Keyboard Storage  
Shelf- Graphite**  
FPSA/KS/GT



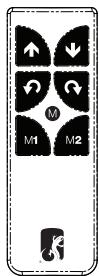
**Accessory Shelf  
with Straps**  
FPSA/AS1



**Camera Mount Shelf**  
FPSA/CS



**Speaker Bracket Kit**  
FPSA/SBK



**Wireless RF Remote  
Control with Memory**  
FPSA/RF1

**ROAD CASE**  
FOR EASY DEPLOYMENT

Combine a mobile stand with a road case to provide secure and convenient transport of your display.

Accommodates Stand & Display

FPSA/RC/EL

