



SALAMANDER
DESIGNS



ACADIA
Mobile Stand



Feel free to move about.

If your space, TV size, family or home is ever-changing, Acadia Mobile Stand is the perfect solution. With hidden storage for all wires and small footprint, you'll easily move this TV stand about however you wish, while bringing style to any room.



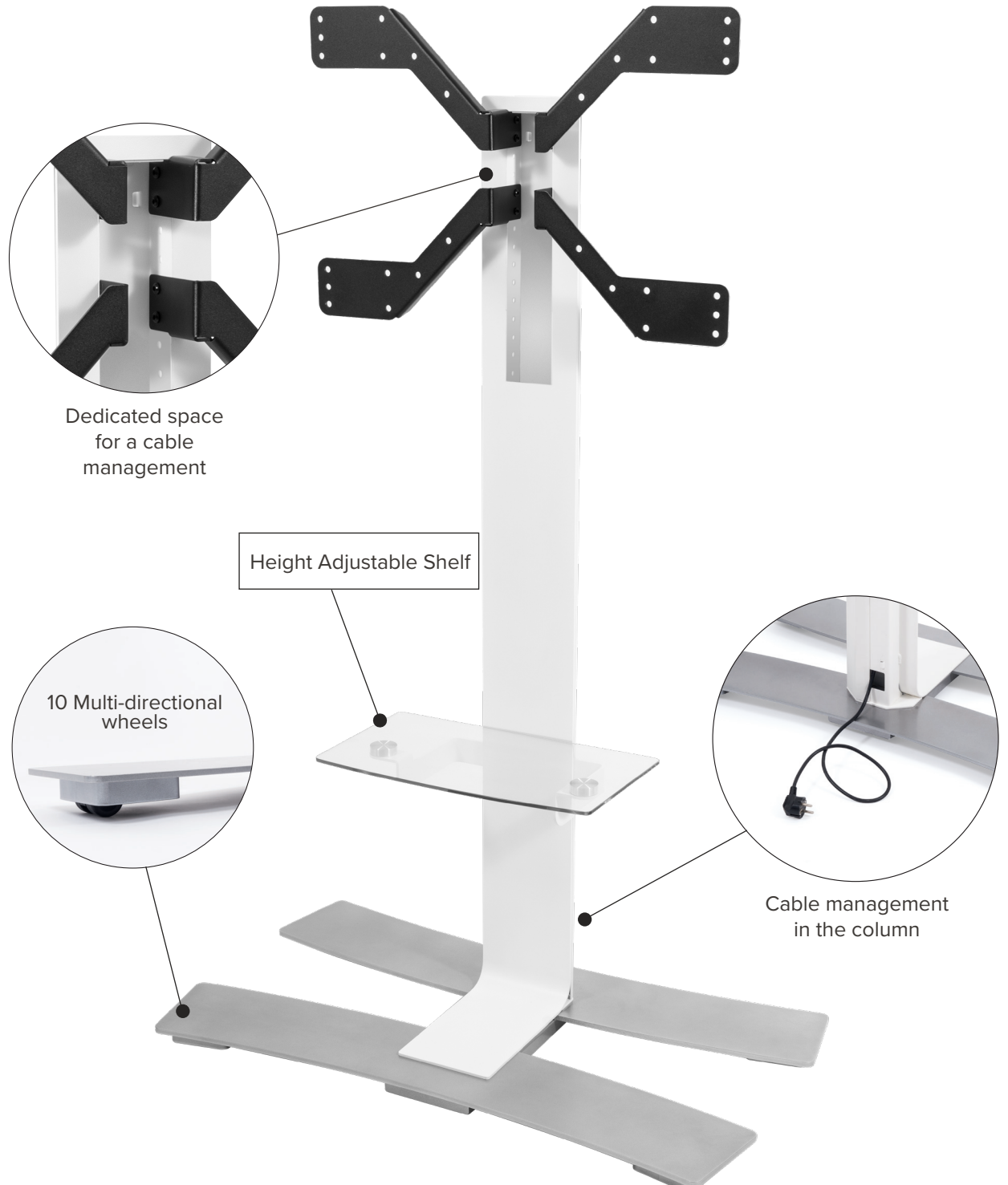
Ideal for condos, apartments, and single-family homes, simply move it about – or take it with you when you go.



ACADIA XL MOBILE STAND

AC/S/XL600/WH

- Screen height adjustment
- Tempered glass shelf
- 6" wide cable management column
- Available in white

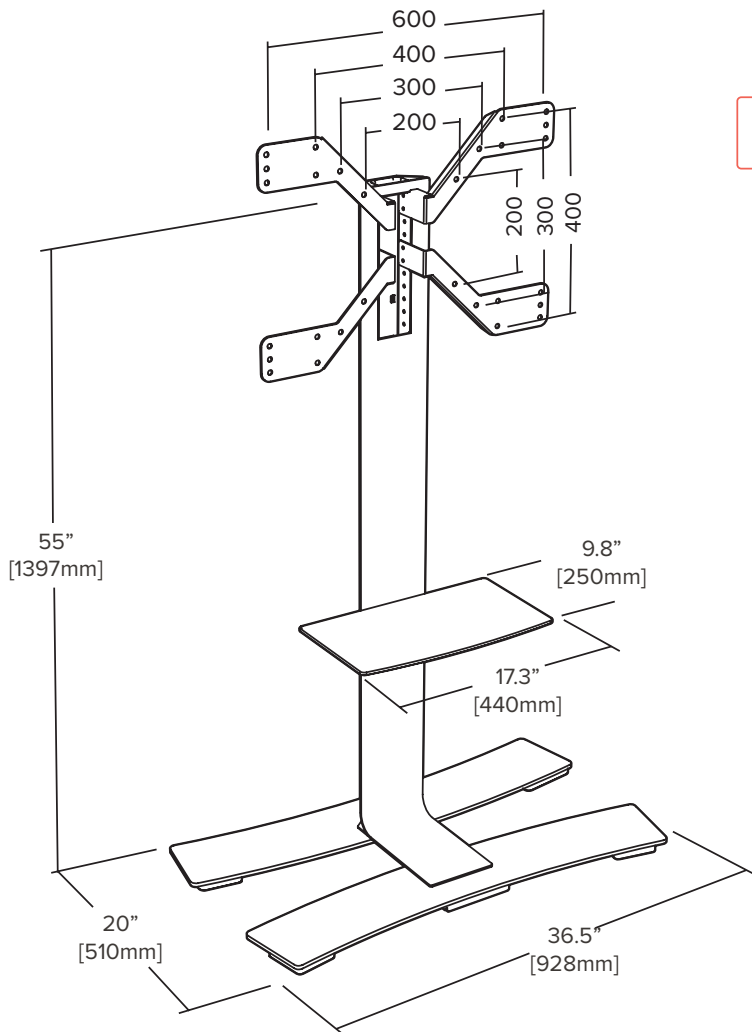


ACADIA **XL** Mobile Stand

MSRP

AC/S/XL600/WH	Acadia XL White + Shelf	\$999
---------------	-------------------------	--------------

- Screen height adjustment on 5" or 1" increments
- Height adjustment of the shelf +/- 4"
- 6 multidirectional wheels Ø 1.4"
- Possibility to mount the screen in portrait or landscape (except Vesa 600x400)
- Center of screen: max 51.1" (1299mm) – min 41.2" (1074mm)



XL 40" - 85"

110lbs (50kg)

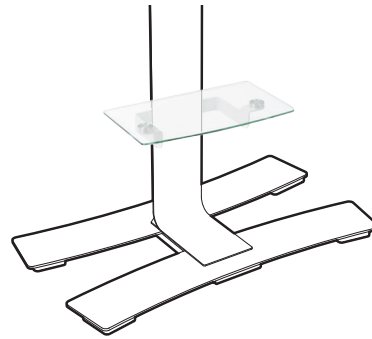
VESA
200 x 200 - 600 x 400

Max Thickness
3.14" (80mm)

Shelf

AC/ACC/GS1/W

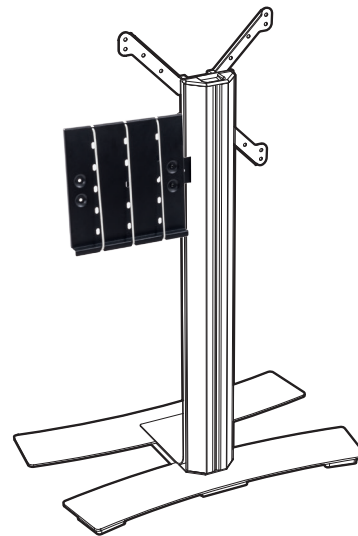
- Additional shelf for a peripheral
- Height adjustment along column
- Tempered .25" glass shelf
- Dimensions: 17.3" x 9.8" (440x250mm)
- Weight capacity: 11lbs (5kg)



Box-Up

AC/ACC/BVPH

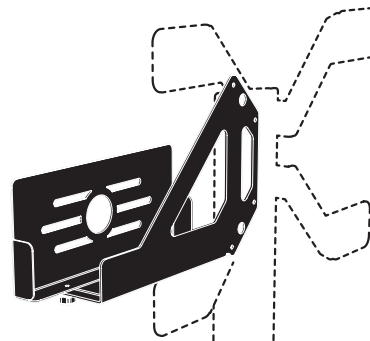
- Peripheral holder positioned on the rear side of the column
- Black, steel structure
- Elastic cords hold peripheral in place
- Reversible right / left



Technology Box

AC/ACC/TBX

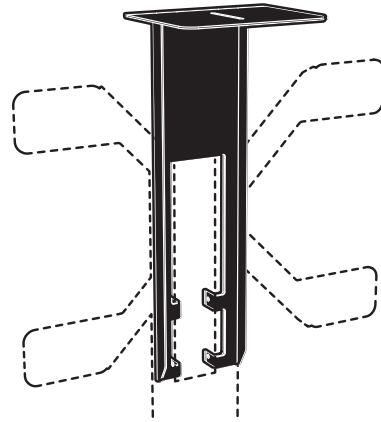
- Placed behind the screen
- Dimensions: 13.7" x 4" (350 x 101.5 mm)
- Compatible with all Acadia mobile stands



Tech Shelf

AC/ACC/CSF

- Height adjustment
- Install shelf above or below the screen
- Useful dimensions : 9.4" x 7" (240 x 178mm)
- Compatible with all Acadia mobile stands



Universal Video Sound Bar Mount

AC/ACC/SBM

- Max weight of the sound bar: 15 lbs (7 kg)
- Install soundbar above or below the screen
- Compatible with sound bars with mounting holes at the rear (max distance between the holes 800 mm)
Max. distance between VESA and fixing points of the video sound bar: 500 mm if fixing points are behind the bar

