

# Installation and Assembly - Wall Arm for Jumbo Mounts

**Models:**  
WMJ 018,  
WMJ 022



This product is intended for use with UL Listed products and must be installed by a qualified professional installer.

**Before you start** make sure all parts shown below are included with your bracket.

**Note:** Read entire instruction sheet before you start installation and assembly.

For use only to support Jumbo Mount TV Brackets or other products as specified by Peerless. Combine only as specified (see specifications below).

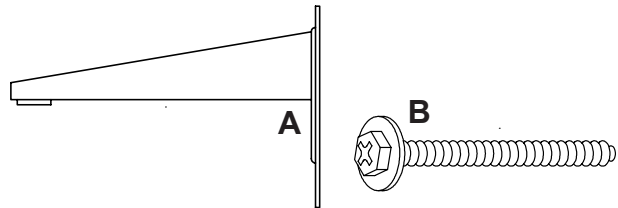
For customer service call 1-800-729-0307 or 708-865-8870.

## ⚠ WARNING

- Installer must verify that the supporting surface will safely support the combined weight of all attached equipment and hardware.
- Do not attach directly to a metal stud wall. Use of a WSP wall plate is required for attachment to metal studs (contact customer care). Metal stud installation is not UL evaluated.
- Weight of TV or screen shall not exceed maximum load capacity.
- This product is intended for indoor use only. Use of this product outdoors could lead to product failure and personal injury.

## Parts List

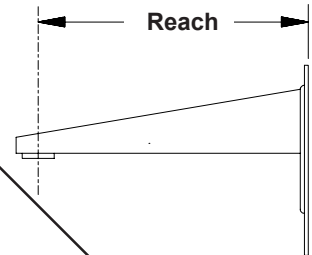
Description	Qty.	WMJ 018	WMJ 022
		Part #	Part #
A wall arm	1	128-1059	128-1069
B #14 x 2.5" wood screw	3	5S1-015-C03	5S1-015-C03



Wall Arms include #14 x 2.5" wood screws. For attachment to solid concrete, cinder block, or brick order accessory kit **ACC 204** (wood screw included with **ACC 204** for mounts WMJ018 and WMJ022). For concrete block and solid concrete a **CB** type arm is recommended.

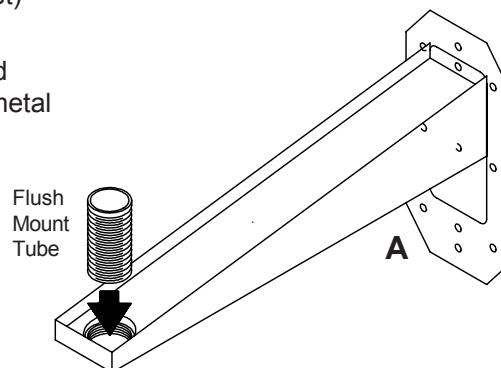
### WALL ARM FOR JUMBO MOUNTS - SPECIFICATIONS

Model Number	Reach	Max. Load Capacity		Compatible Jumbo Mount Models
		Concrete	Wood	
WMJ 018	18" (457 mm)	150 lb (68 kg)	125 lb (56.7 kg)	JM 2630, JM 2640, JM 2640D
WMJ 022	22.5" (572 mm)	150 lb (68 kg)	125 lb (56.7 kg)	JM 2630, JM 2640, JM 2640D, JM 2650, JM 2650D, JM 2655



**1** From the top thread the Flush Mount Tube (included with your Jumbo Mount Bracket) through threaded fitting in wall arm (A).

**Note:** If you are installing to a metal stud wall, please refer to the accompanying metal stud instruction sheet.

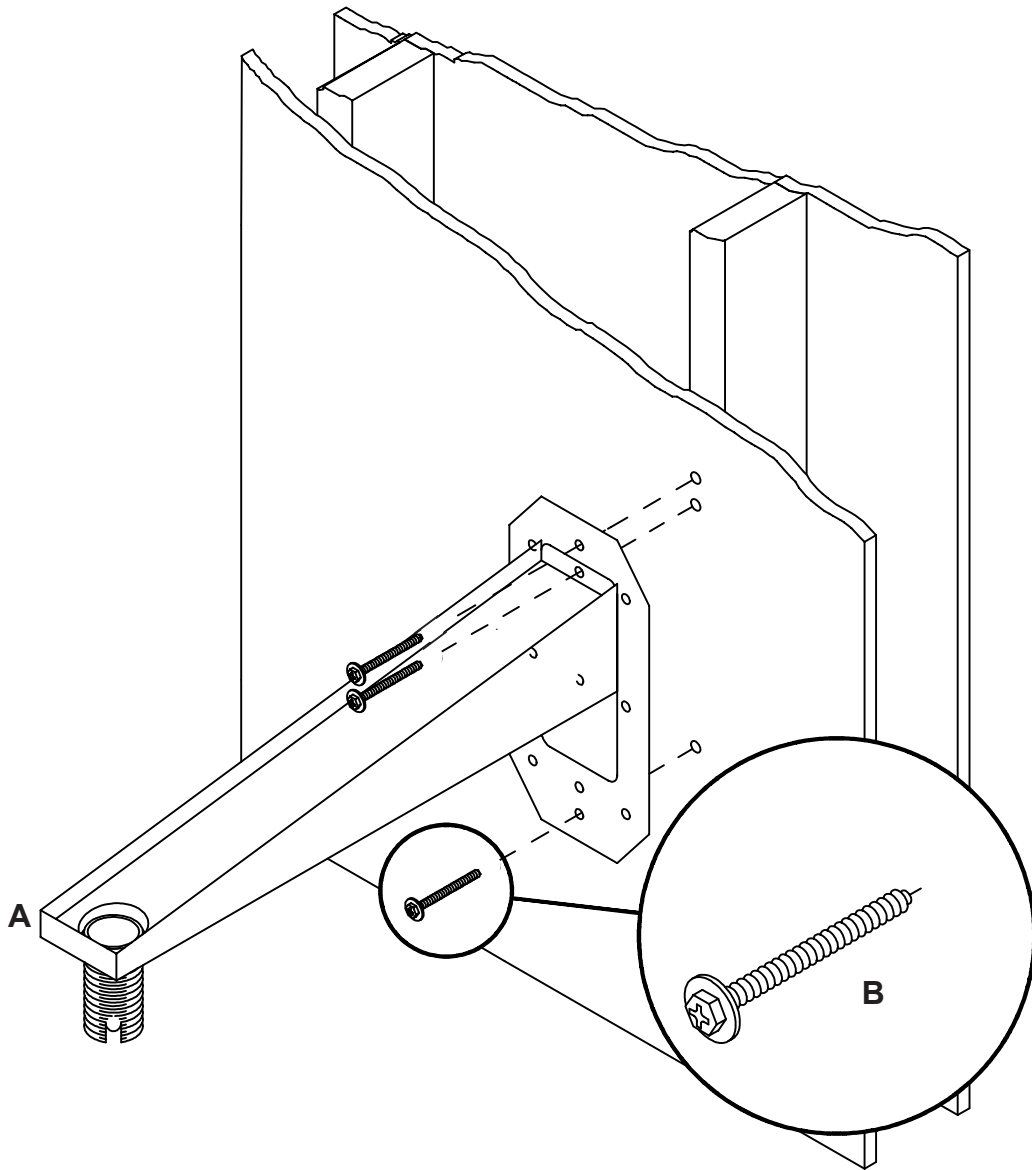


2

**For Wood Stud Walls** drill three 5/32" (4 mm) dia. holes to a minimum depth of 2.5" (64 mm) into **stud center**. Attach wall arm using three #14 x 2.5" wood screws (**B**).

## ⚠ WARNING

- Tighten wood screws so that wall plate is firmly attached, but do not overtighten. Overtightening can damage the screws, greatly reducing their holding power.
- Never tighten in excess of 80 in. • lb (9 N.M.).
- Make sure that mounting screws are anchored into the center of the studs. The use of an "edge to edge" stud finder is highly recommended.



## ⚠ WARNING

- When installing Peerless wall mounts on cinder block, verify that you have a minimum of 1-3/8" of actual concrete surface in the hole to be used for the concrete anchors. Do not drill into mortar joints! Be sure to mount in a solid part of the block, generally 1" minimum from the side of the block. Cinder block must meet ASTM C-90 specifications. It is suggested that a standard electric drill on slow setting is used to drill the hole instead of a hammer drill to avoid breaking out the back of the hole when entering a void or cavity.
- Concrete must be 2000 psi density minimum. Lighter density concrete may not hold concrete anchor.
- Make sure that the supporting surface will safely support the combined load of the equipment and all attached hardware and components.

3

**For Concrete Walls Order ACC 204** drill four 1/4" (6 mm) dia. holes to a minimum depth of 2.5" (64 mm). Attach using concrete expansion anchors as shown in 1, 2, and 3 (right).

## ⚠ WARNING

- Tighten wood screws firmly, but do not overtighten. Overtightening can damage the bolts, greatly reducing their holding power.
- Never tighten in excess of 80 in. • lb (9 N.M.).

## ⚠ WARNING

- Concrete anchors are **not** intended for attachment to concrete wall covered with a layer of plaster, drywall, or other finishing material. If mounting to concrete wall covered with plaster/drywall is unavoidable, plaster/drywall (up to 5/8" thick) must be counterbored. If plaster/drywall is thicker than 5/8", custom fasteners must be supplied by installer.

