

# ST670 / ST670-S ST670P / ST670P-S

## SmartMount® Universal Tilt Wall Mount for 42" to 71" Flat Panel Screens

Enhance the installation experience with the ST670. Its wall plate holds screens weighing up to 250lb while featuring junction box access ports and horizontal screen adjustment up to 12" for ideal screen positioning. Its exclusive pre-tensioned screen adapter design offers one-touch tilt viewing adjustment enabling putting the final touches on the installation increasingly fast and simple.



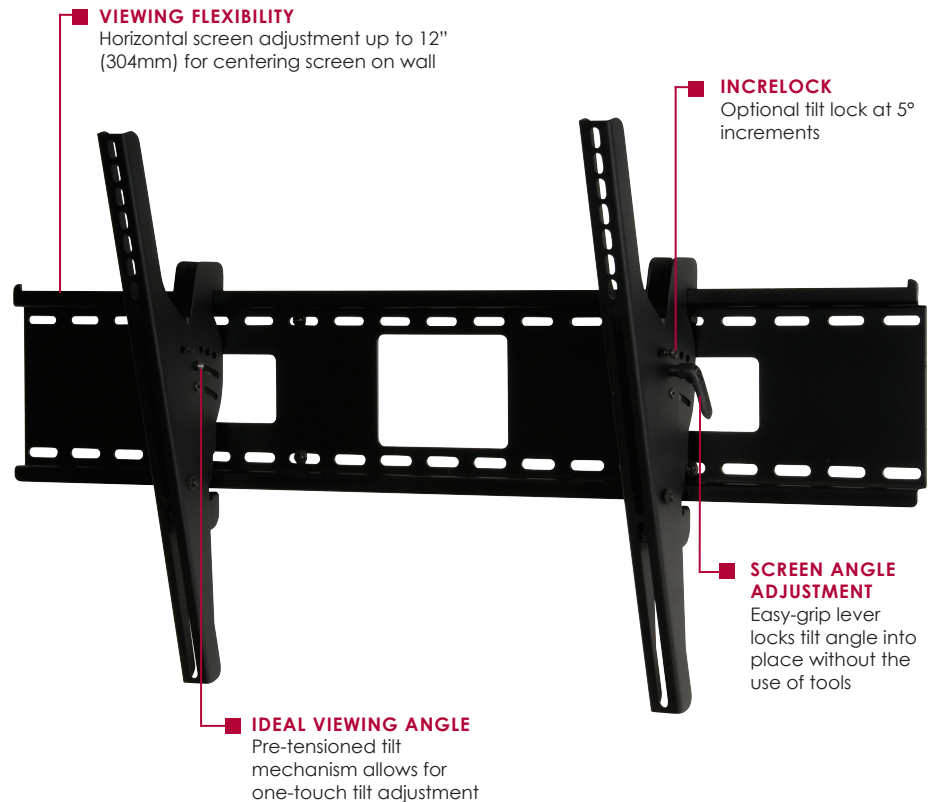
Screen size: 42"-71"



Max load: 250lb (113kg)

### FEATURES

- Universal mount fits screens with mounting patterns up to 36" W x 20" H (915 x 503mm)
- Adjustable up to 15° of forward tilt and -5° backward tilt for optimal viewing angle
- Pre-tensioned universal tilt screen adapters allow for tilt adjustment without the use of tools
- Easy-grip lever locks the screen position into place
- Optional IncreLock™ feature offers fixed tilt angles of -5°, 0°, 5°, 10°, 15°
- Horizontal screen adjustment of up to 12" (304mm) (depending on screen model) for perfect screen placement
- Universal screen adapters easily hook onto wall plate for fast installation
- Mounts to wood studs, concrete, cinder block or metal studs (metal stud accessory required)
- Comes with Peerless' Sorted-for-You™ fastener pack with all necessary screen attachment hardware
- Integrated security options available
- UL listed



Adjustable +15/-5° tilt



<b>ST670(-S)</b>	Universal Tilt Wall Mount for 42" to 71" Flat Panel Screens - security models
<b>ST670P(-S)</b>	Universal Tilt Wall Mount for 42" to 71" Flat Panel Screens - standard models

Product Specifications

	DIMENSIONS (W x H x D)	PRODUCT WEIGHT	LOAD CAPACITY	FINISH	AVAILABLE COLORS
<b>ST670(P)(-S)</b>	37.75" x 20.62" x 3.04" (959 x 524 x 77mm)	12.97lb (5.8kg)	250lb (113kg)	Scratch resistant fused epoxy	ST670(P): Black ST670(P)-S: Silver

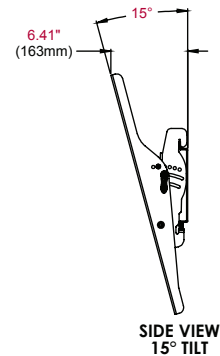
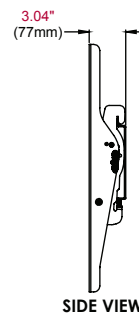
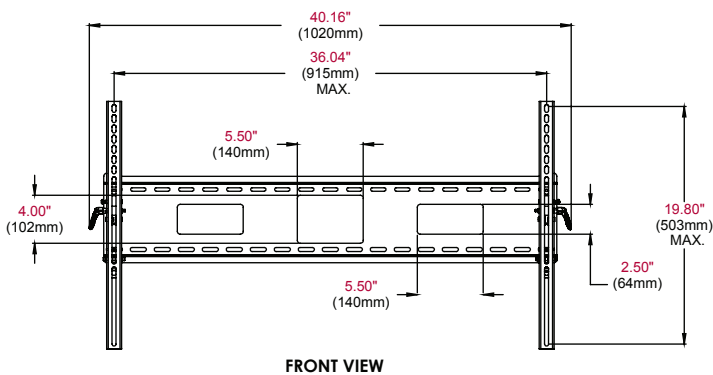
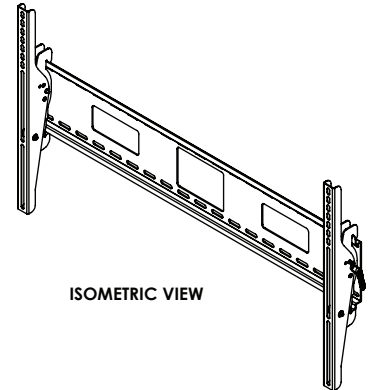
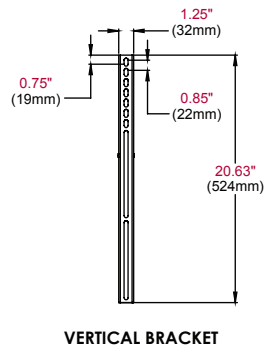
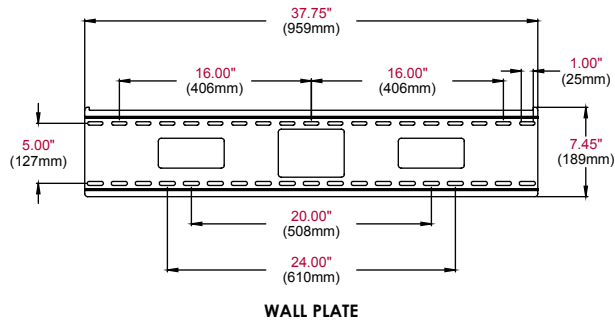
Package Specifications

	PACKAGE SIZE (W x H x D)	PACKAGE SHIP WEIGHT	PACKAGE UPC CODE	PACKAGE CONTENTS	UNITS IN PACKAGE
<b>ST670(P)(-S)</b>	46.75" x 8.63" x 3.88" (119 x 219 x 99mm)	15.4lb (6.98kg)	ST670: 735029242277 ST670-S: 735029242291 ST670P: 735029242284 ST670P-S: 735029242307	Wall plate, universal screen adapters, mounting and screen attachment hardware	1

Accessories

<b>ACC415:</b>	4-pack Metal Stud Fastener Kit
<b>ACC615:</b>	6-pack Metal Stud Fastener Kit
<b>ACC309:</b>	Video Conference Shelf

All dimensions = inch (mm)



ARCHITECTS SPECIFICATIONS

The Smartmount® Universal Tilt Wall Mount shall be a Peerless model ST670 and shall be located where indicated on the plans. It shall be constructed of heavy gauge cold rolled steel and finished with scratch resistant Black or Silver Fused Epoxy. Assembly and installation shall be done according to instructions provided by the manufacturer.